



US00D510699S

(12) **United States Design Patent** (10) **Patent No.:** **US D510,699 S**
Crain et al. (45) **Date of Patent:** **** Oct. 18, 2005**

- (54) **MULTIPLE FUNCTION GEOMATICS POLE SUPPORT DEVICE**
- (75) Inventors: **Stephen B. Crain**, Cape Girardeau, MO (US); **Christopher T. Moore**, Creal Springs, IL (US)
- (73) Assignee: **Crain Enterprises, Inc.**, Mound City, IL (US)
- (**) Term: **14 Years**
- (21) Appl. No.: **29/197,219**
- (22) Filed: **Jan. 12, 2004**
- (51) **LOC (8) Cl.** **08-08**
- (52) **U.S. Cl.** **D8/395; D8/354; D8/382; D10/74**
- (58) **Field of Search** D8/382, 354, 395, D8/390, 339, 394; D3/260; D6/552; D17/22; D26/138; D34/29; 396/419; 248/188.2, 181.1, 177.1, 581, 596; 211/203, 64; 108/147.19, 147.21, 460, 511, 147.15; D10/74

- 4,356,637 A 11/1982 Hall
D276,272 S * 11/1984 Weissenburger D24/176
D289,732 S * 5/1987 Jason D8/356
D295,724 S * 5/1988 Shioda D8/396
D306,553 S * 3/1990 Rumpel D8/395
D319,575 S * 9/1991 Young D8/395

(Continued)

OTHER PUBLICATIONS

Hold-A-Pole Pole Support Device with rubber band for use on tripod head—5 photographs on sheet.
Lo Ink Catalog Spring/Summer 2003 www.loink.com; cover Page of catalog, p. 26 Hold-A-Pole, The Pole Clamp and Alligator Tripod, p. 31 Prism Pole Adjuster.
Hayes Instrument Internet Site; True Plumb Prism Pole Adjusting Jig.
Hayes Instrument Internet Site; SECO Plumb Prism Pole Adjusting Jig.
Hayes Instrument Internet Site; SECO Prism Pole Bipod Prop.
Hayes Instrument Internet Site; SECO Bipod Leg Clip.
SECO Manufacturing Internet Site; Offset Pole-Holder Kit.
Gardner Engineering Internet Site; Rod Rest.

(56) **References Cited**

U.S. PATENT DOCUMENTS

- 633,251 A * 9/1899 Stone 108/99
2,245,901 A 6/1941 Chaskin
2,835,975 A 5/1958 Zimmerman
2,873,531 A 2/1959 Chick
3,077,035 A 2/1963 Hackney
3,195,234 A 7/1965 Glidden et al.
3,239,176 A 3/1966 Johnson
D212,770 S * 11/1968 Egan D21/422
3,471,987 A * 10/1969 Yelsma 52/684
3,570,130 A 3/1971 Boehm
D225,981 S * 1/1973 Brown D25/69
D239,592 S * 4/1976 Anderson D8/354
D241,314 S * 9/1976 Hug D8/395
D248,347 S * 7/1978 McCollum D6/552
4,192,076 A 3/1980 Hall
4,208,946 A 6/1980 Van Sickle
4,270,721 A 6/1981 Mainor, Jr.
4,290,207 A 9/1981 Browning et al.
4,339,880 A 7/1982 Hall

Primary Examiner—Jeffrey Asch
Assistant Examiner—Austin Murphy
(74) *Attorney, Agent, or Firm*—Senniger Powers

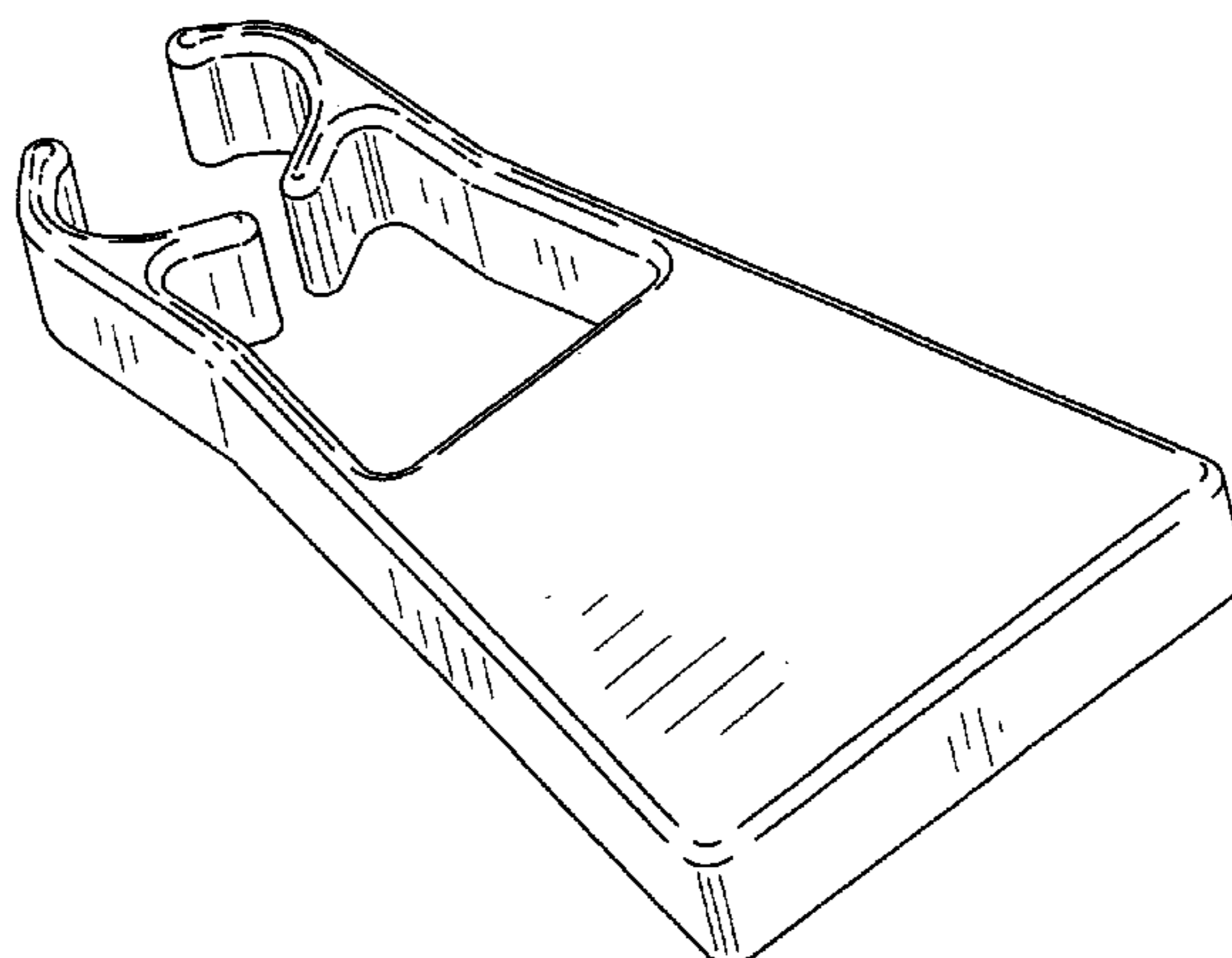
(57) **CLAIM**

The ornamental design for a multiple function geomatics pole support device, as shown and described.

DESCRIPTION

FIG. 1 is a perspective of a multiple function geomatics pole support device showing our new design;
FIG. 2 is a perspective of the underside thereof;
FIG. 3 is a top plan thereof;
FIG. 4 is a bottom plan thereof;
FIG. 5 is a right side elevation, the left side elevation being a mirror image thereof;
FIG. 6 is a front elevation thereof; and,
FIG. 7 is a back elevation thereof.

1 Claim, 5 Drawing Sheets



US D510,699 S

Page 2

U.S. PATENT DOCUMENTS

| | | | | | | | | | | |
|-------------|---|---------|----------------|-------|----------|--------------|---|---------|---------------|---------------|
| D332,882 S | * | 2/1993 | Graves | | D6/466 | 5,865,406 A | | 2/1999 | Teeple | |
| D335,251 S | * | 5/1993 | Nilsson | | D8/98 | D417,611 S | * | 12/1999 | van de Lande | D8/395 |
| 5,222,708 A | | 6/1993 | McLellan | | | D419,423 S | * | 1/2000 | Ayrest | D8/339 |
| 5,400,516 A | | 3/1995 | Kellenberger | | | D429,023 S | * | 8/2000 | Hughes et al. | D26/138 |
| D360,053 S | * | 7/1995 | Wilborn et al. | | D28/38 | D429,628 S | * | 8/2000 | Peters | D8/390 |
| 5,442,866 A | | 8/1995 | Woods | | | D435,365 S | * | 12/2000 | Eason et al. | D6/466 |
| 5,454,473 A | * | 10/1995 | Hennessey | | 211/85.6 | D438,453 S | * | 3/2001 | Nelson et al. | D8/395 |
| 5,454,931 A | * | 10/1995 | Lauve, Jr. | | 206/317 | D451,007 S | * | 11/2001 | Jones et al. | D8/395 |
| D374,042 S | * | 9/1996 | Guenette | | D21/422 | D463,039 S | * | 9/2002 | Tseng | D25/69 |
| D375,890 S | * | 11/1996 | Takai | | D8/380 | D479,798 S | * | 9/2003 | Wall | D8/382 |
| D376,973 S | * | 12/1996 | Brown | | D8/395 | D480,291 S | * | 10/2003 | Sorkin | D8/354 |
| 5,614,918 A | | 3/1997 | Dinardo et al. | | | D482,262 S | * | 11/2003 | Sorkin | D8/354 |
| 5,749,549 A | | 5/1998 | Ashjaee | | | 6,688,566 B1 | * | 2/2004 | Crain et al. | 248/168 |
| 5,769,370 A | | 6/1998 | Ashjaee | | | | | | | |

* cited by examiner

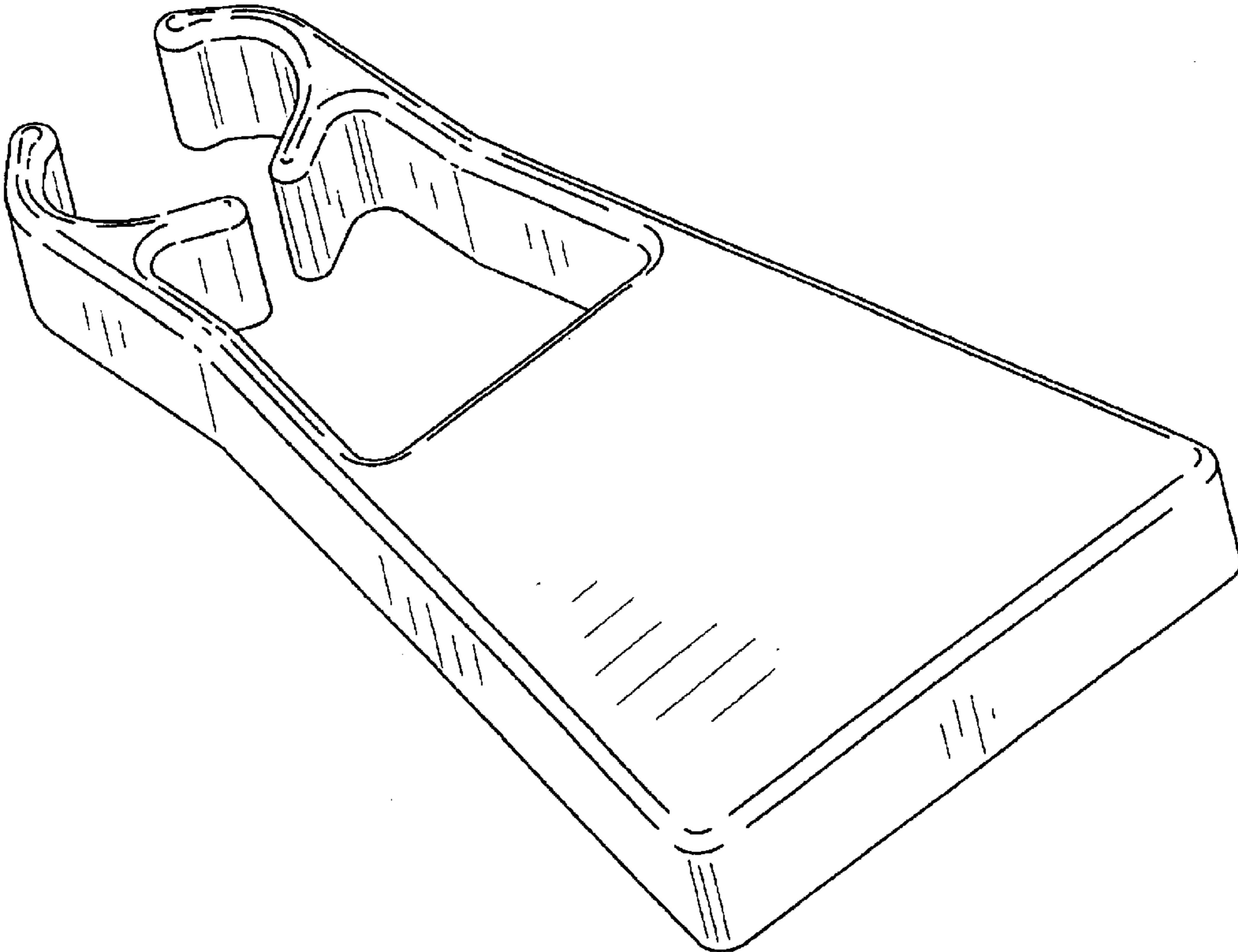


FIG. 1

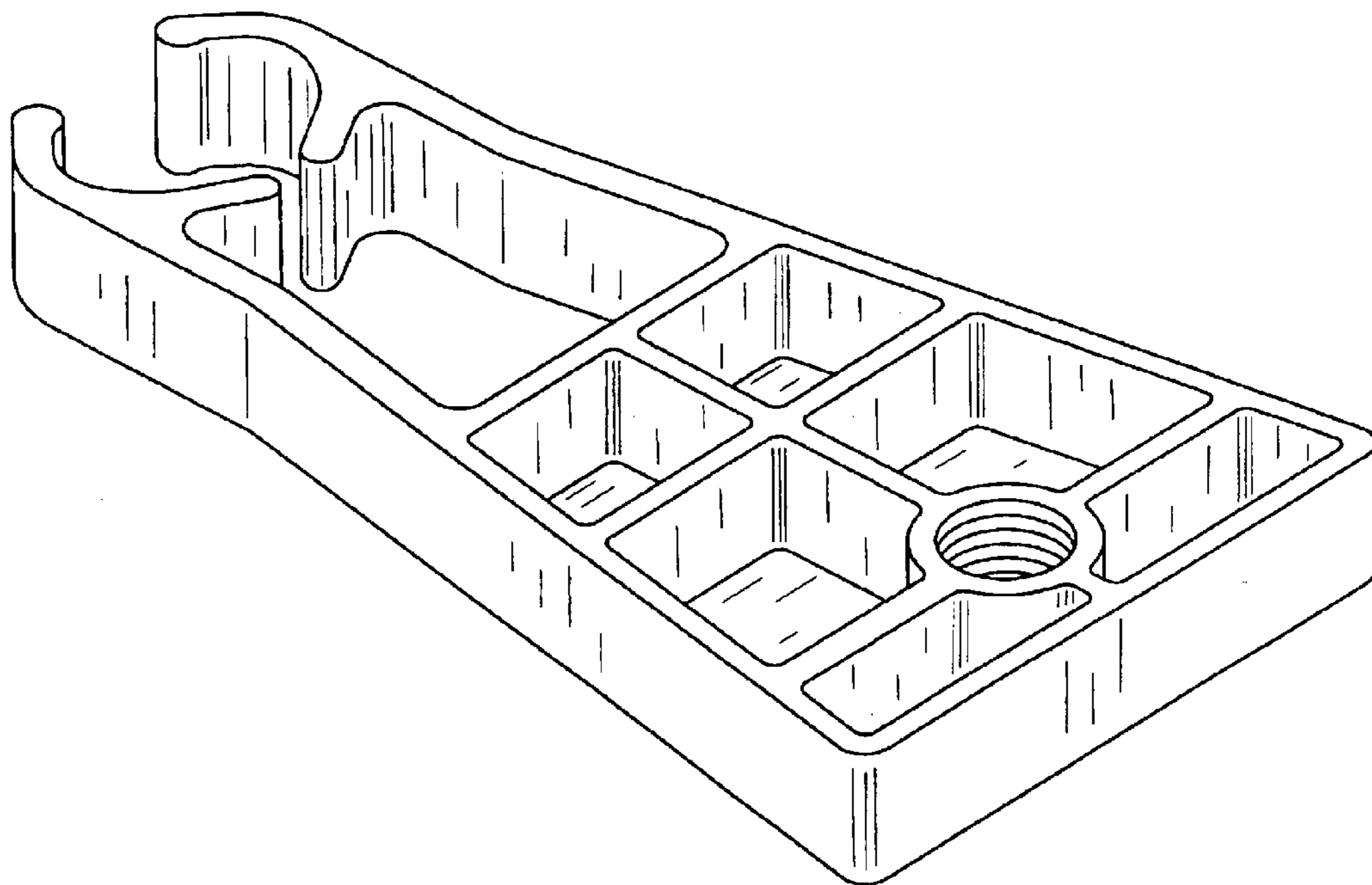


FIG. 2

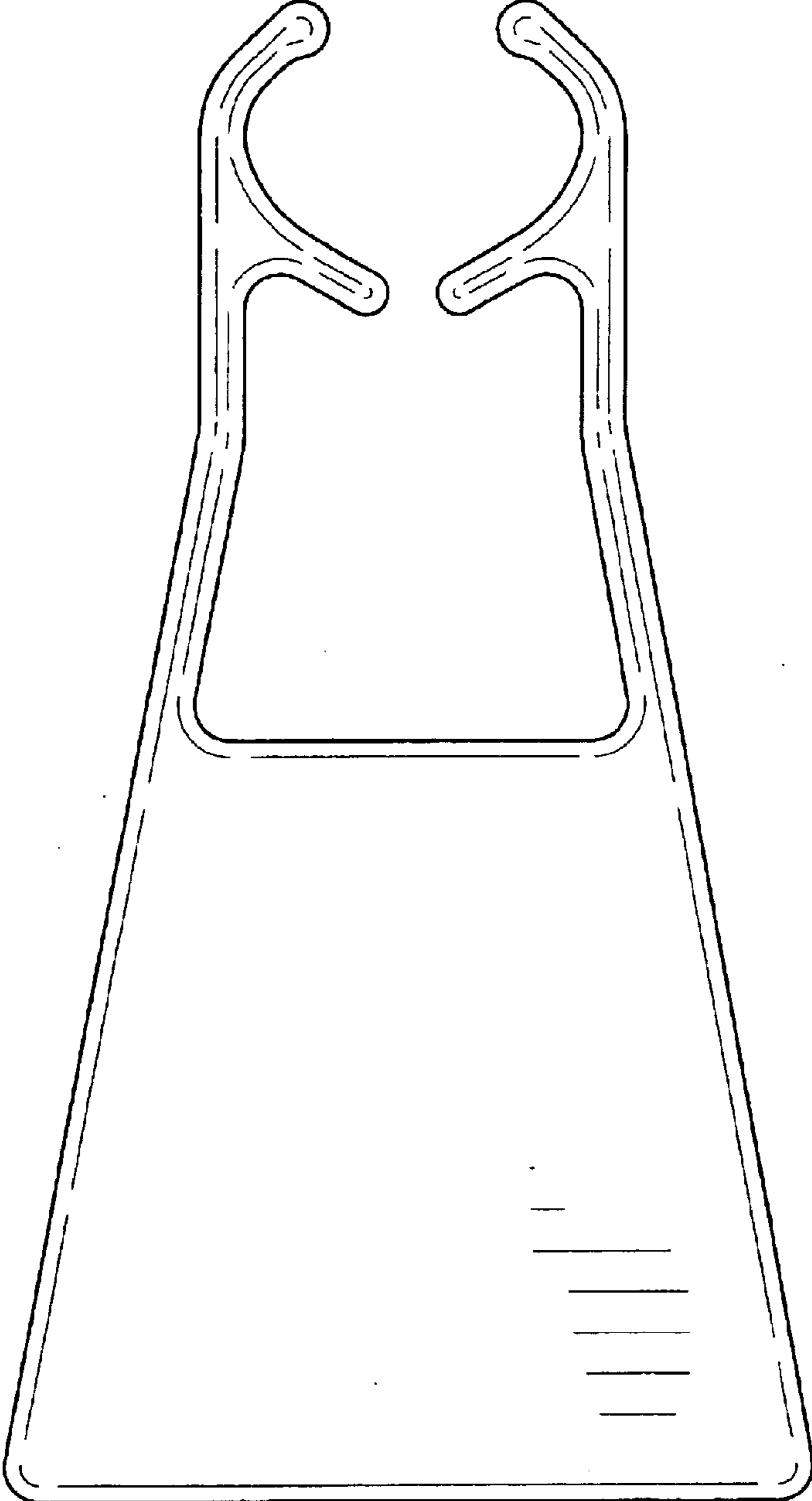


FIG. 3

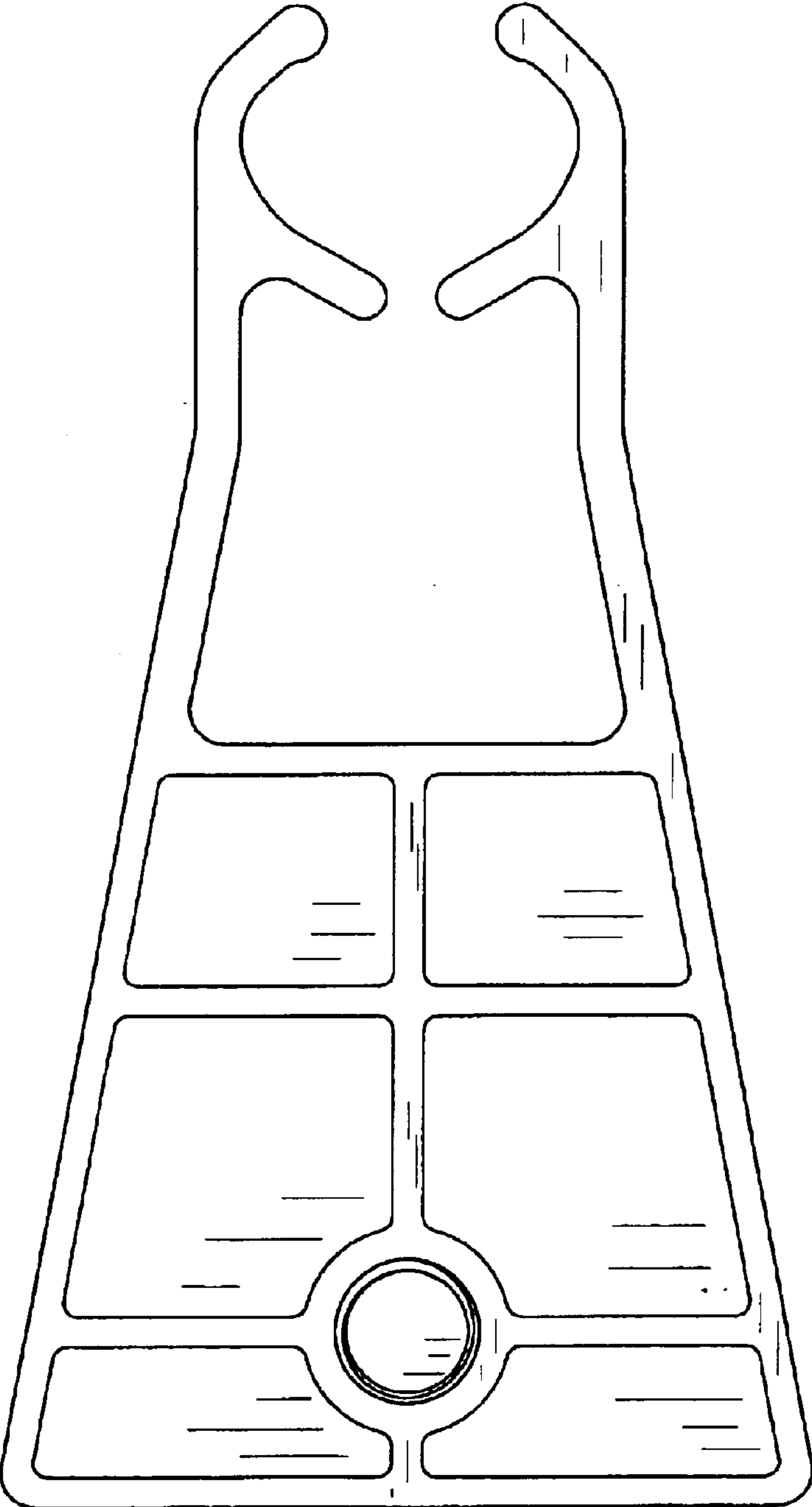


FIG. 4

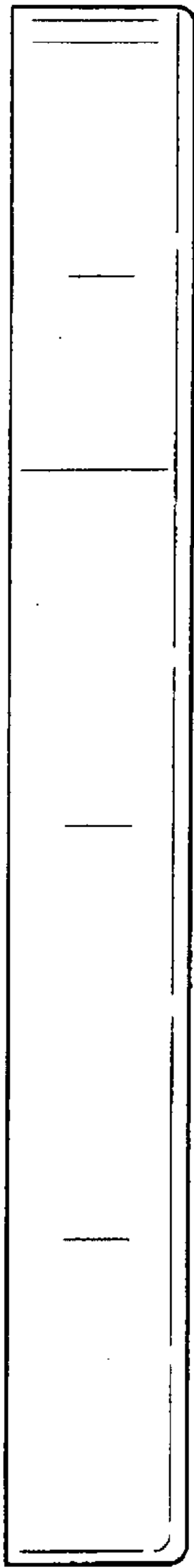


FIG. 5

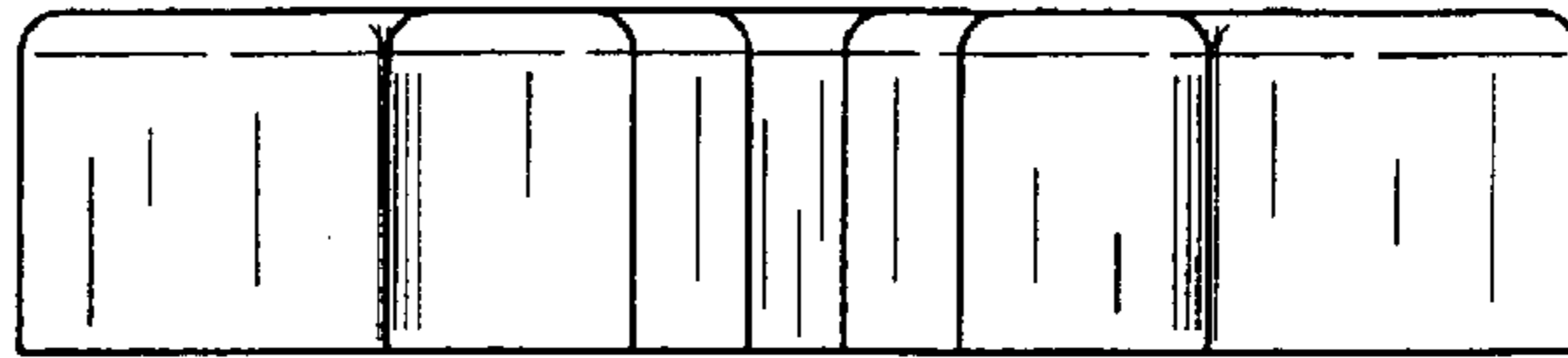


FIG. 6

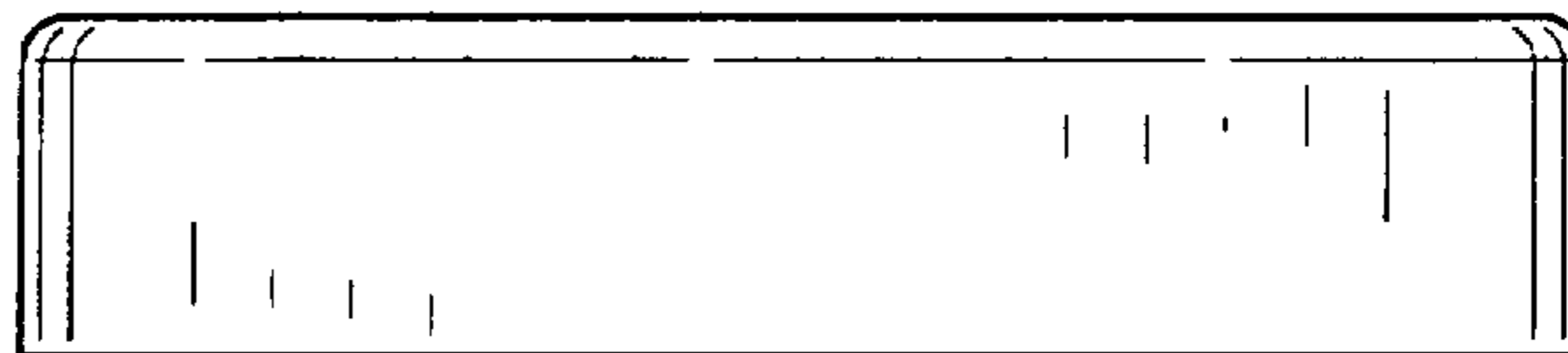


FIG. 7