



US00D510696S

(12) **United States Design Patent** (10) **Patent No.: US D510,696 S**
Sale, Jr. (45) **Date of Patent: ** *Oct. 18, 2005**

(54) **MULTI-STEP OVAL ROSETTE/OVAL DOOR KNOB**

(75) **Inventor: Kenneth Martin Sale, Jr.,** South San Francisco, CA (US)

(73) **Assignee: Sale Builders Hardware, Ltd.,** South San Francisco, CA (US)

(*) **Notice:** This patent is subject to a terminal disclaimer.

(**) **Term: 14 Years**

(21) **Appl. No.: 29/186,740**

(22) **Filed: Jul. 23, 2003**

(51) **LOC (8) Cl. 08-06**

(52) **U.S. Cl. D8/310; D8/301**

(58) **Field of Search D8/301, 302, 307, D8/310, 352, 353; D6/524, 549, 550; D23/254; D26/138; 16/492, 402, 414, 442, 441, 357, 336.3**

(56) **References Cited**

U.S. PATENT DOCUMENTS

885,687	A	*	4/1908	Chenoweth	16/414
D361,030	S	*	8/1995	Bessette et al.	D8/307
D405,216	S	*	2/1999	Porter et al.	D26/138
D405,995	S	*	2/1999	Harris	D6/524
D427,291	S	*	6/2000	Milrud et al.	D23/254
D453,897	S	*	2/2002	LaPlume et al.	D8/301

OTHER PUBLICATIONS

Page 2 of Better Home Products catalog featuring Embarcadero Collection (7800 Series). <http://www.betterhomeproducts.com/Web_Page_Project/catalogpg2-p.html>.

Page 3 of Better Home Products catalog featuring "Embarcadero III Collection" (9800 Series—Chrome & Brass Combination). <http://www.betterhomeproducts.com/Web_Page_Project/catalogpg3-p.html>.

U.S. Appl. No. 29/186,731 filed Jul.; 23, 2003.

U.S. Appl. No. 29/186,741 filed Jul.; 23, 2003.

U.S. Appl. No. 29/186,726 filed Jul.; 23, 2003.

U.S. Appl. No. 29/186,728 filed Jul.; 23, 2003.

U.S. Appl. No. 29/186,727 filed Jul.; 23, 2003.

U.S. Appl. No. 29/186,729 filed Jul.; 23, 2003.

* cited by examiner

Primary Examiner—Paula A. Greene

(74) *Attorney, Agent, or Firm*—Fitzpatrick, Cella, Harper & Scinto

(57) **CLAIM**

The ornamental design for a multi-step oval rosette/oval door knob, as shown and described.

DESCRIPTION

FIG. 1 is a perspective view of a multi-step oval rosette/oval door knob showing my new design;

FIG. 2 is a front view thereof;

FIG. 3 is a side view thereof;

FIG. 4 is a bottom view thereof; and,

FIG. 5 is a backside view thereof.

1 Claim, 1 Drawing Sheet

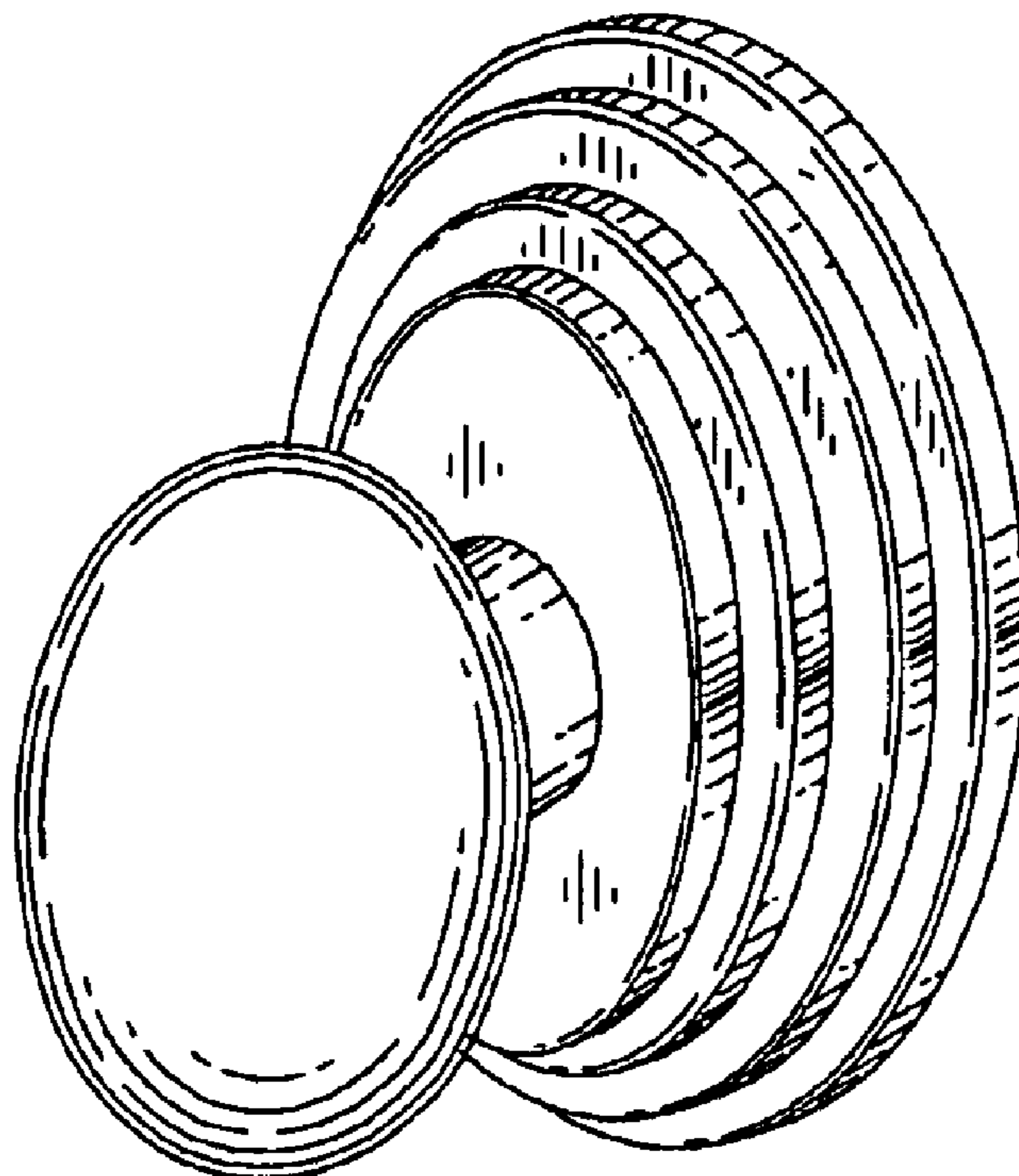


Fig. 1

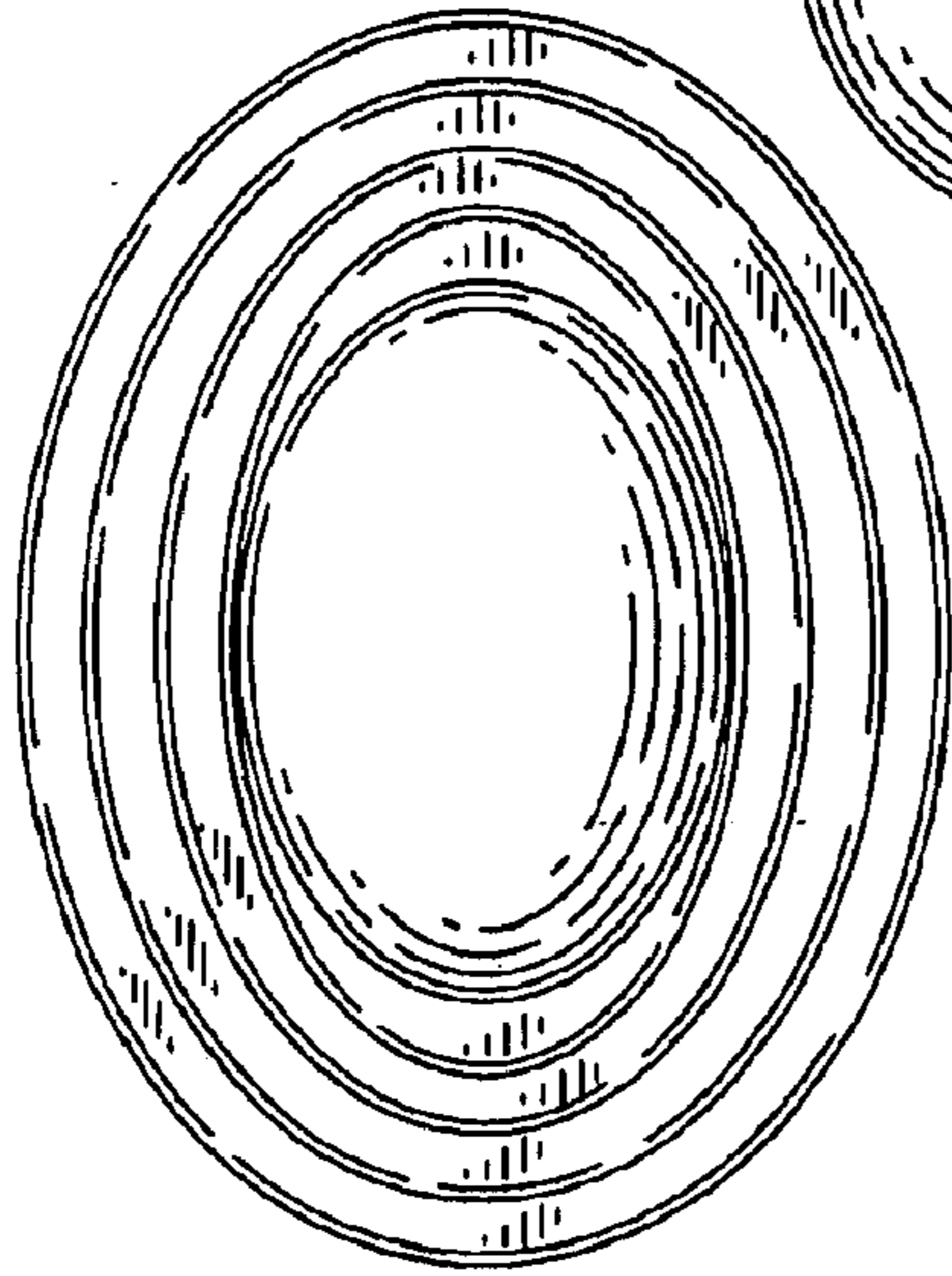
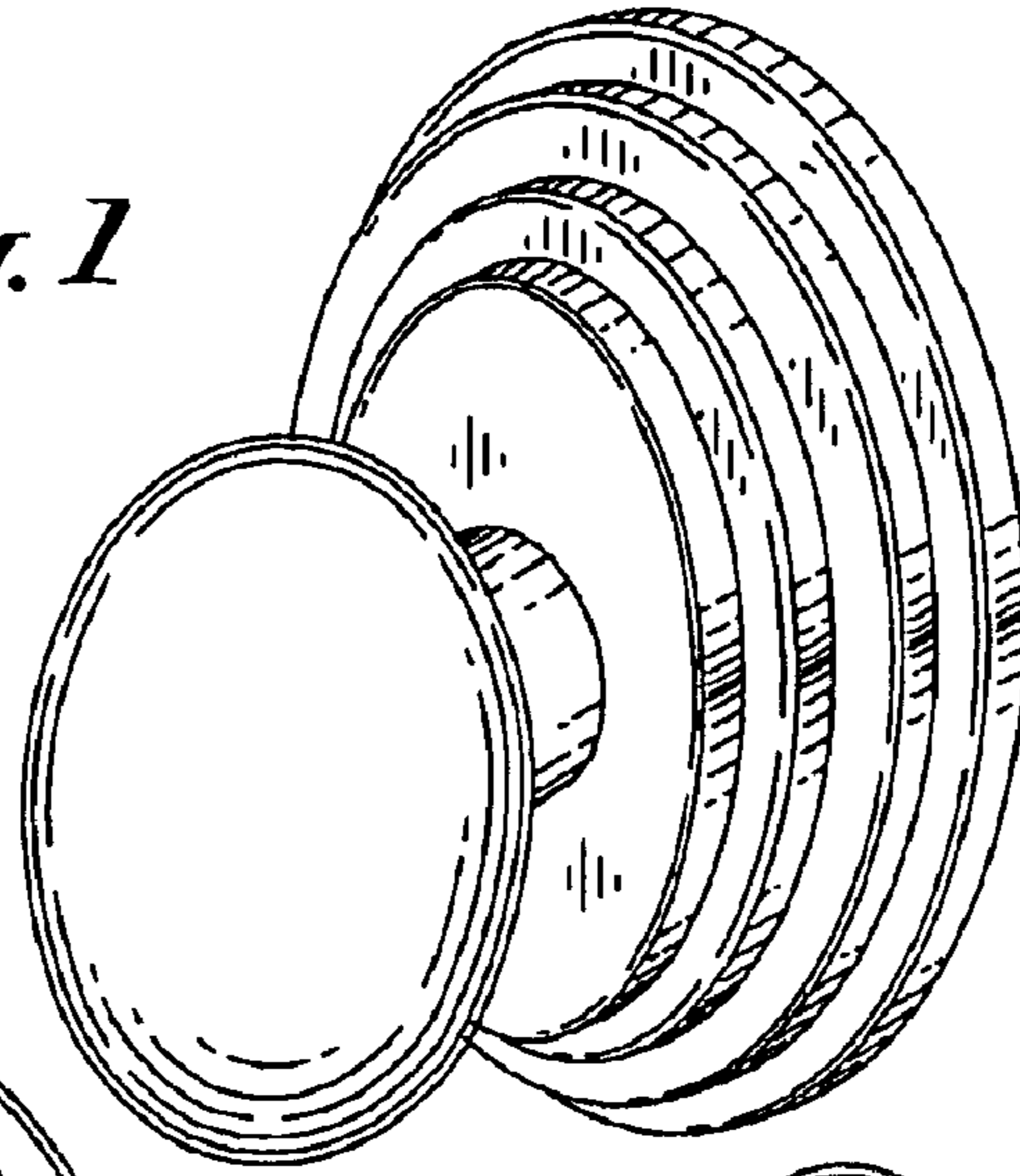


Fig. 2

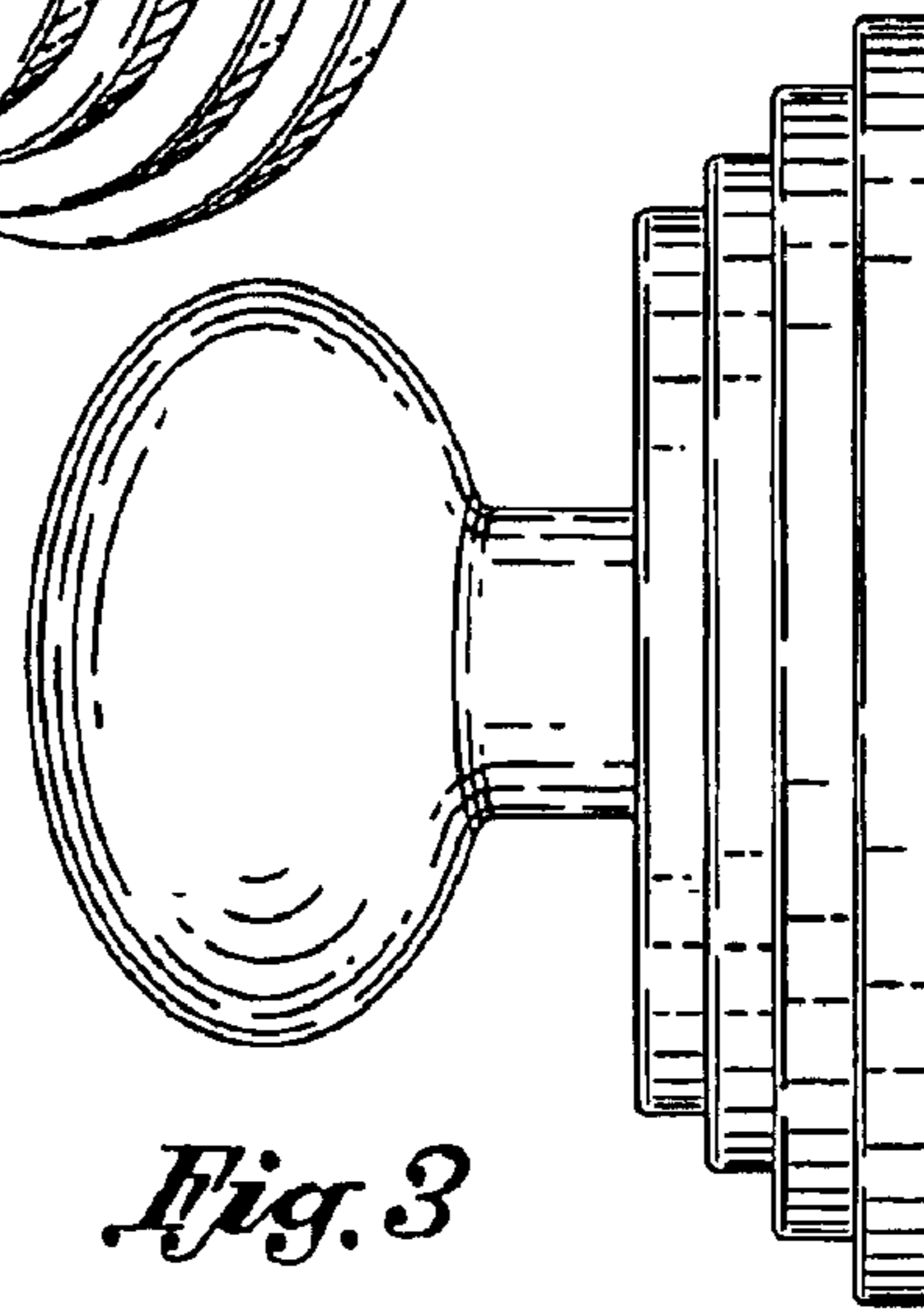


Fig. 3

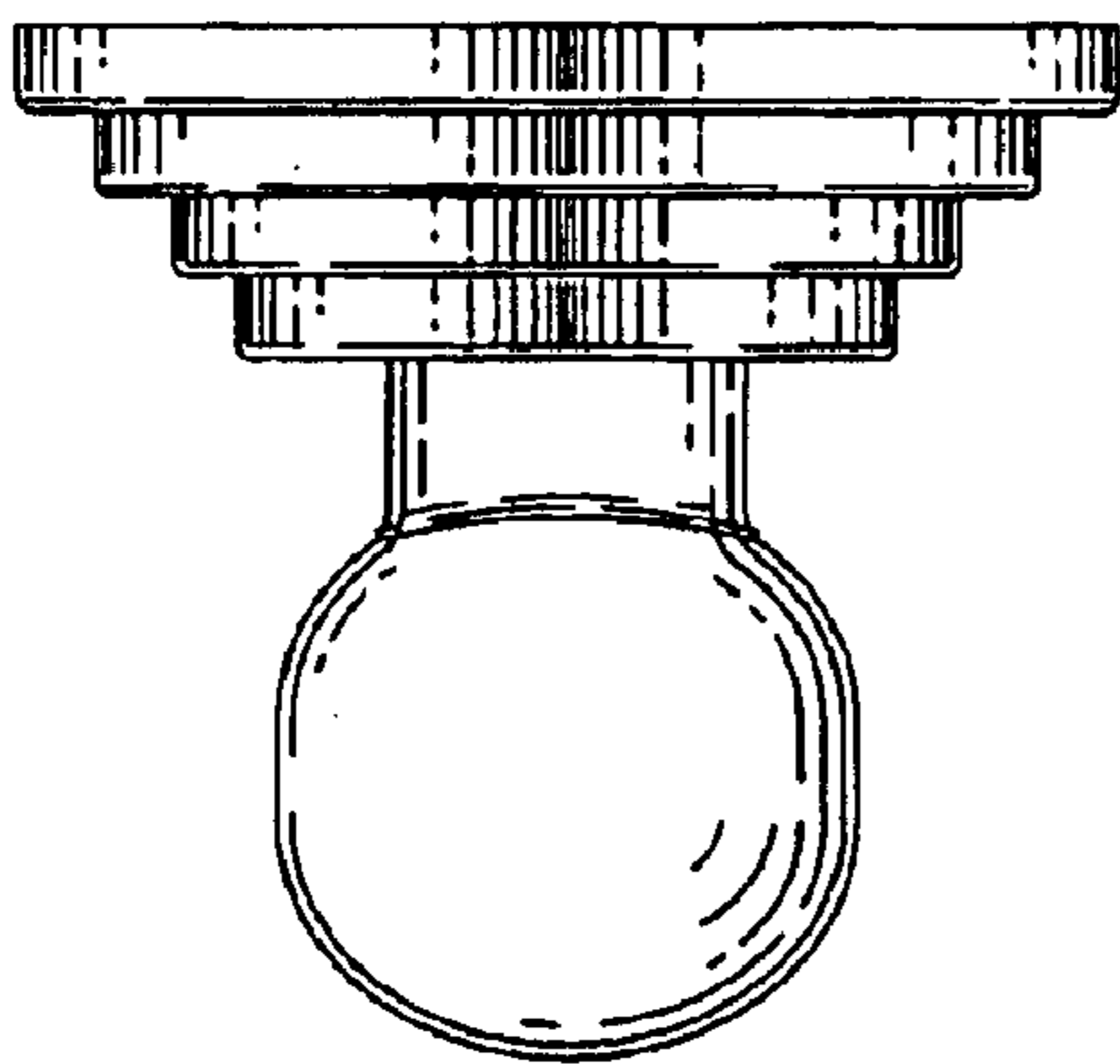


Fig. 4

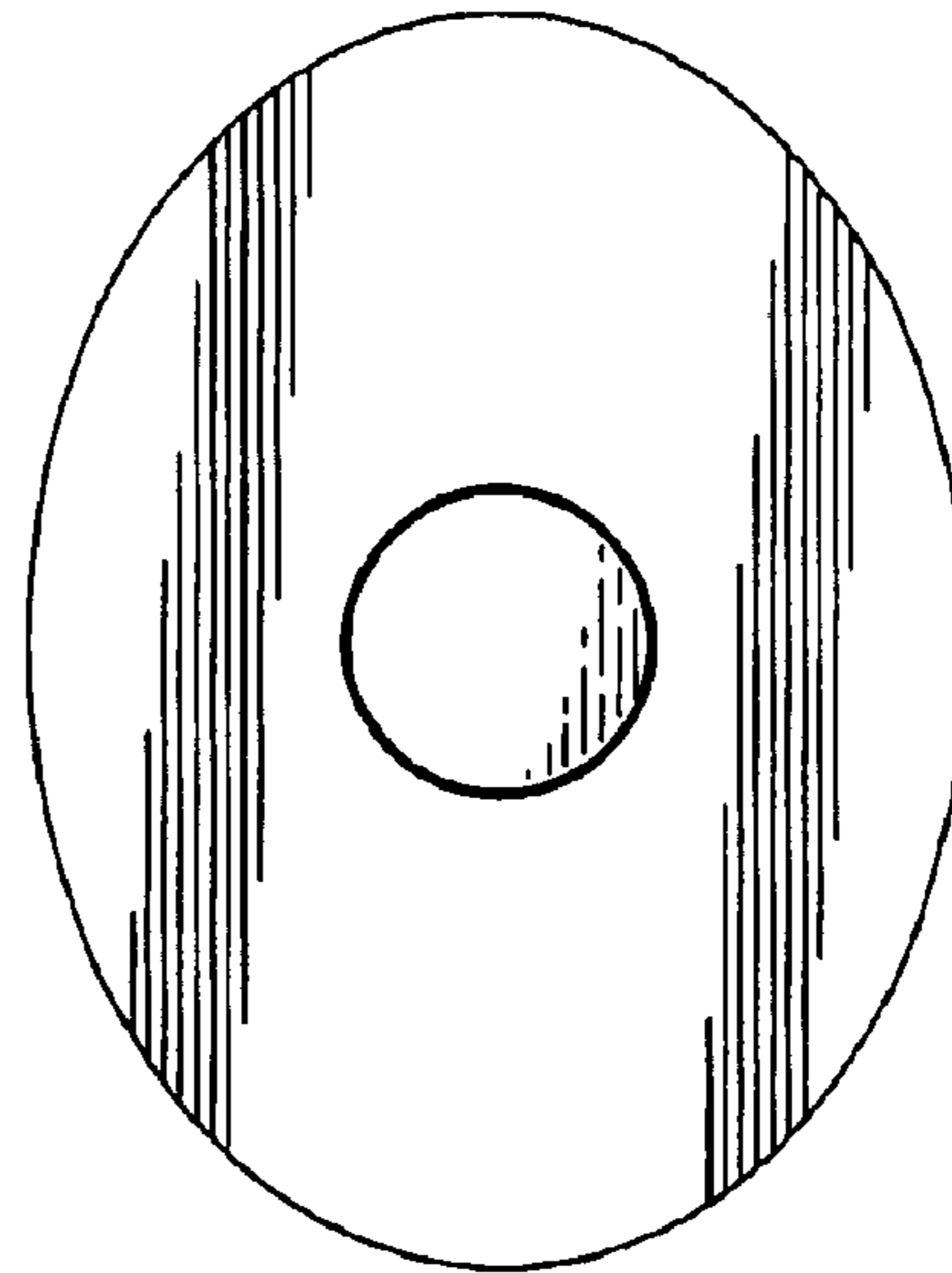


Fig. 5