

US00D510695S

(12) **United States Design Patent**  
**Roberts, III**

(10) **Patent No.:** **US D510,695 S**  
(45) **Date of Patent:** **\*\* Oct. 18, 2005**

(54) **HANDLESET**

D454,049 S \* 3/2002 LaPlume et al. .... D8/301  
D471,432 S \* 3/2003 Ellis et al. .... D8/350  
D471,786 S \* 3/2003 Ellis et al. .... D8/350

(75) **Inventor:** **Rockwood T. Roberts, III**, Shillington,  
PA (US)

\* cited by examiner

(73) **Assignee:** **Newfrey LLC**, Newark, DE (US)

*Primary Examiner*—Paula A. Greene

(\*\*) **Term:** **14 Years**

(74) *Attorney, Agent, or Firm*—Richard J. Veltman; John D.  
DeI Ponti

(21) **Appl. No.:** **29/187,478**

(57) **CLAIM**

(22) **Filed:** **Jul. 31, 2003**

The ornamental design for a handset, as shown and  
described.

(51) **LOC (8) Cl.** ..... **08-06**

(52) **U.S. Cl.** ..... **D8/301**

(58) **Field of Search** ..... D8/300, 301, 302,  
D8/307, 310, 352, 353; 292/356, 357, 347,  
336.3; D23/250–257; 16/112, 121, 402,  
412

**DESCRIPTION**

FIG. 1 is a perspective view of a handset showing my new  
design;

FIG. 2 is a top plan view thereof;

FIG. 3 is a front elevational view thereof;

FIG. 4 is a left side view thereof;

FIG. 5 is a right side view thereof; and,

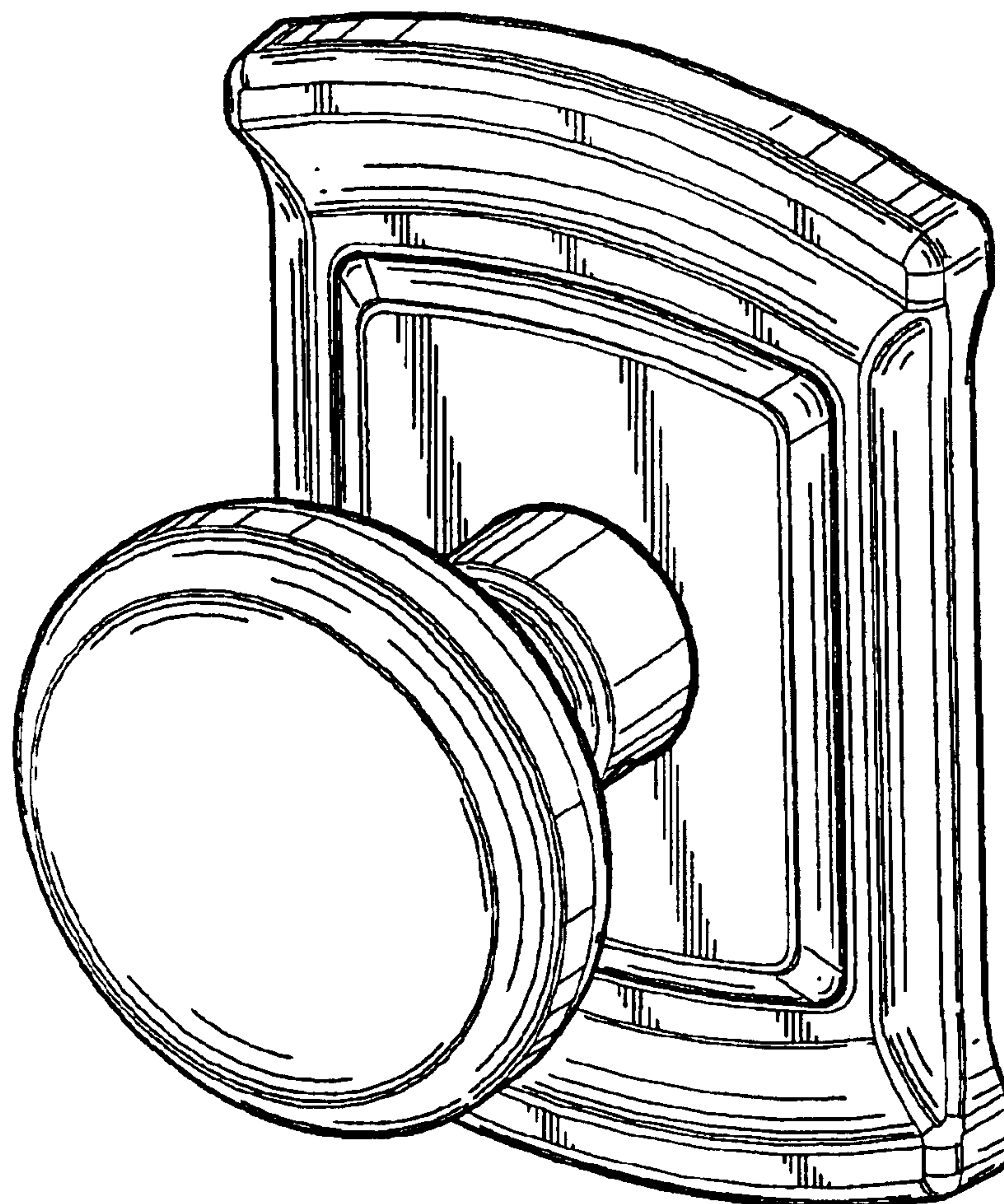
FIG. 6 is a bottom plan view thereof.

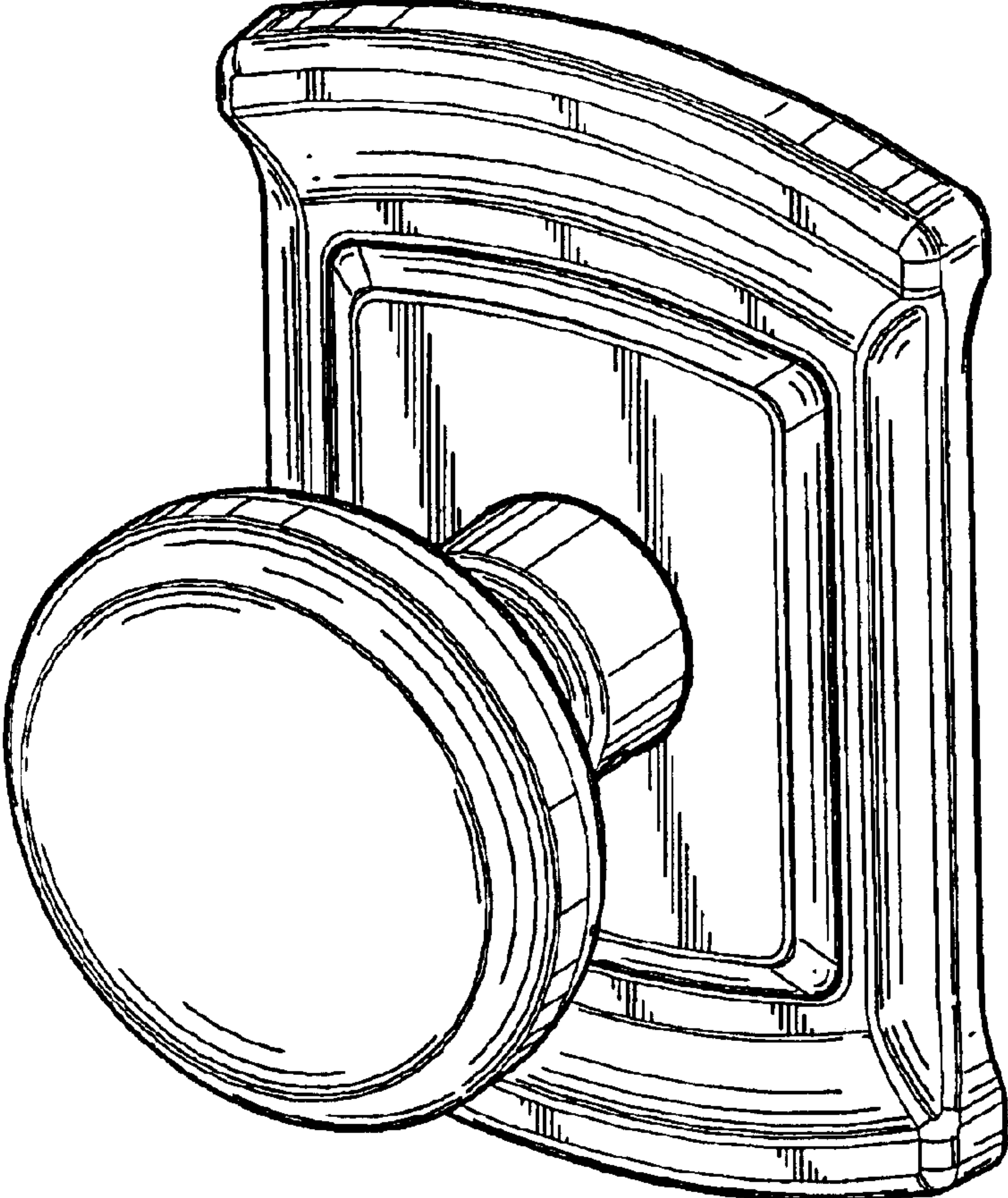
(56) **References Cited**

**U.S. PATENT DOCUMENTS**

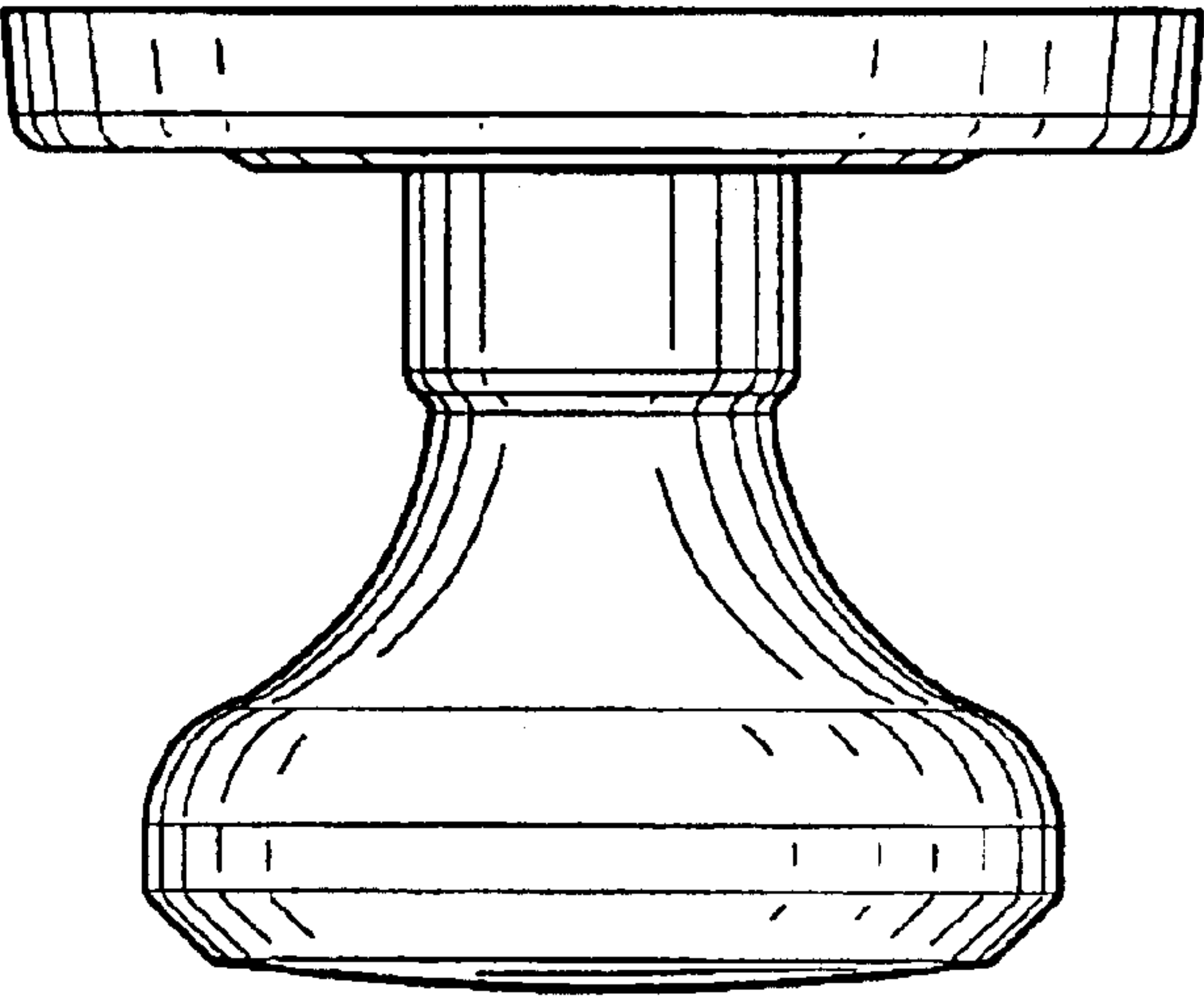
D427,291 S \* 6/2000 Milrud et al. .... D23/254

**1 Claim, 3 Drawing Sheets**

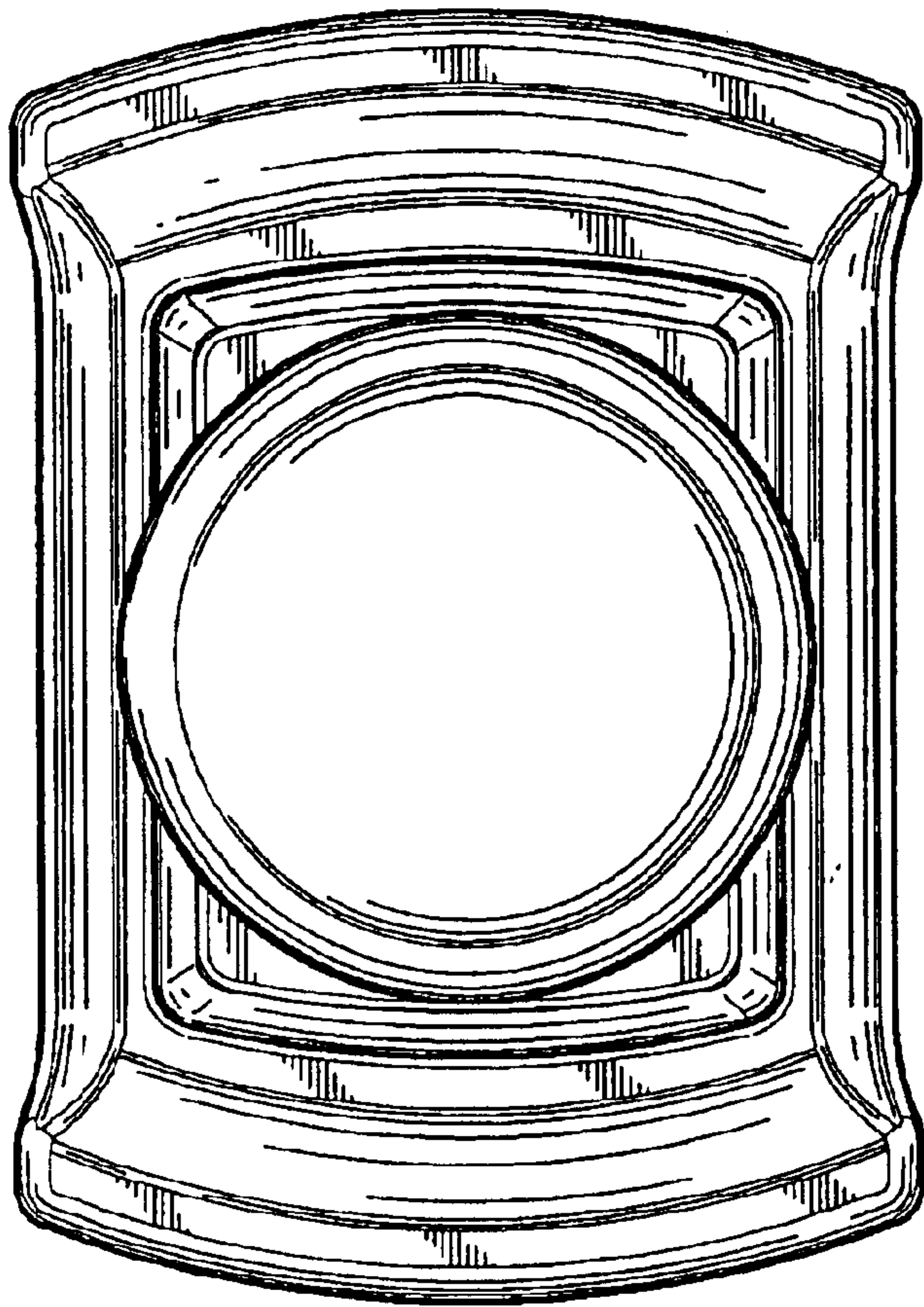




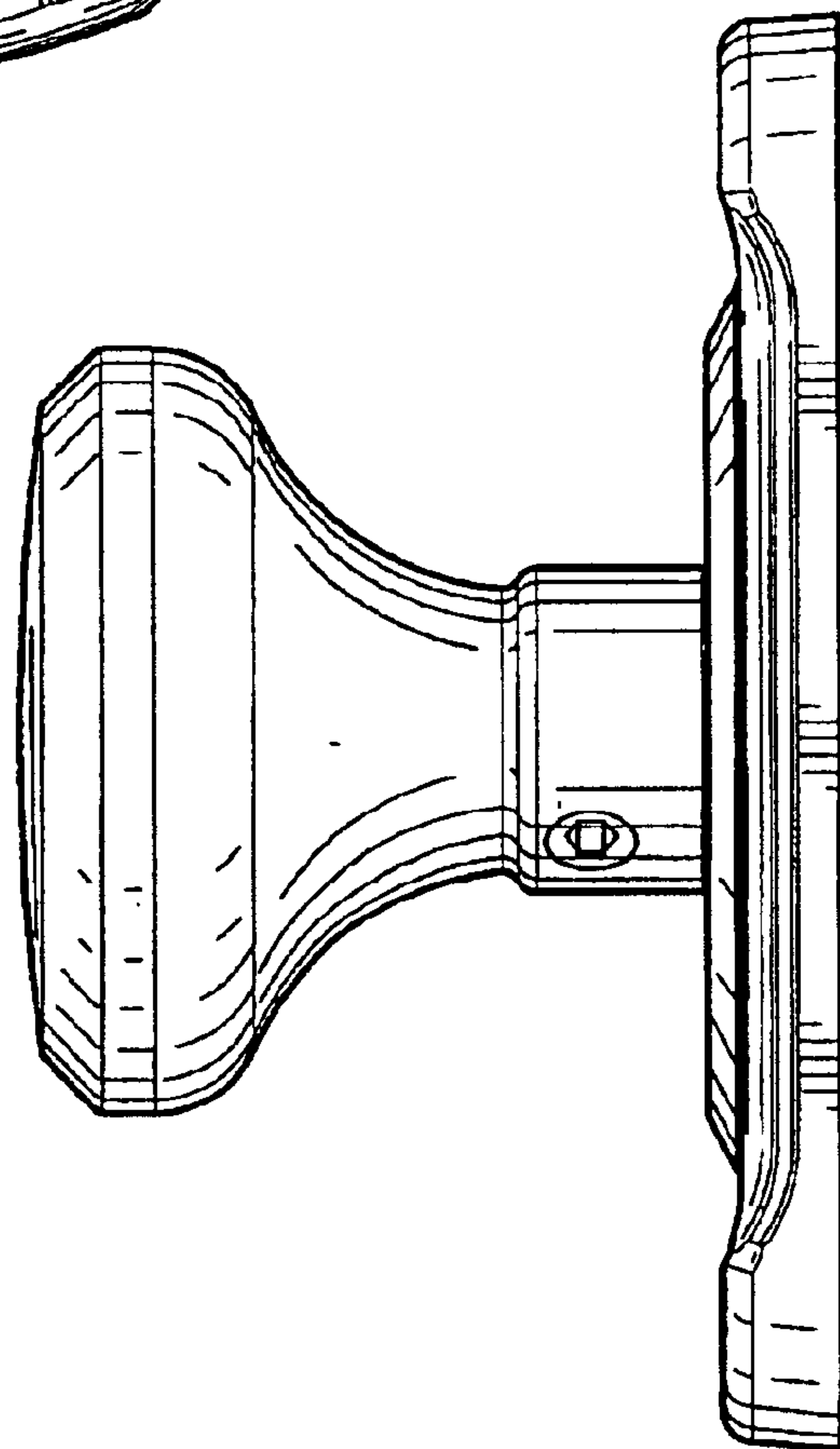
**FIG - 1**



**FIG - 2**

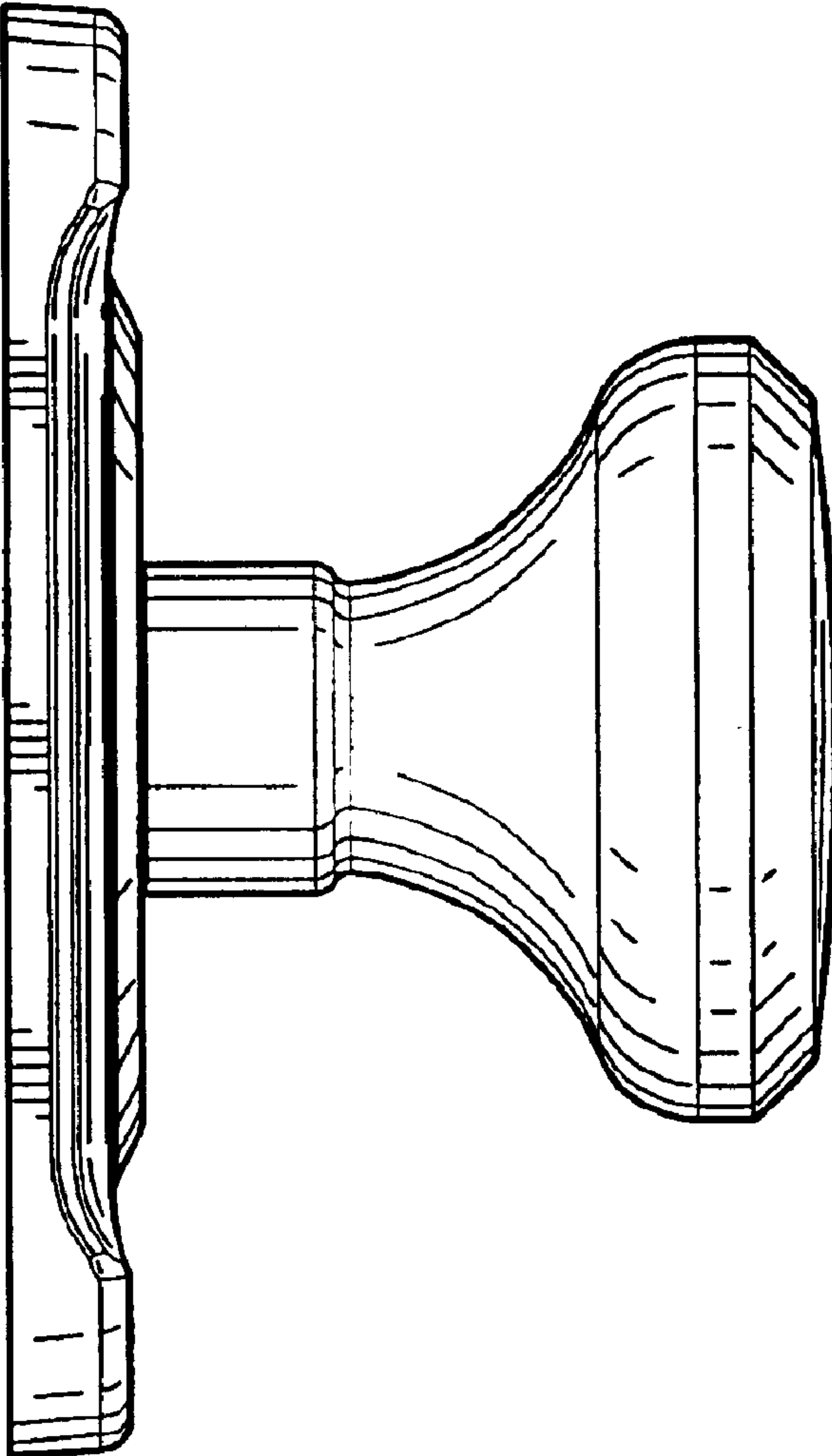


**FIG - 3**

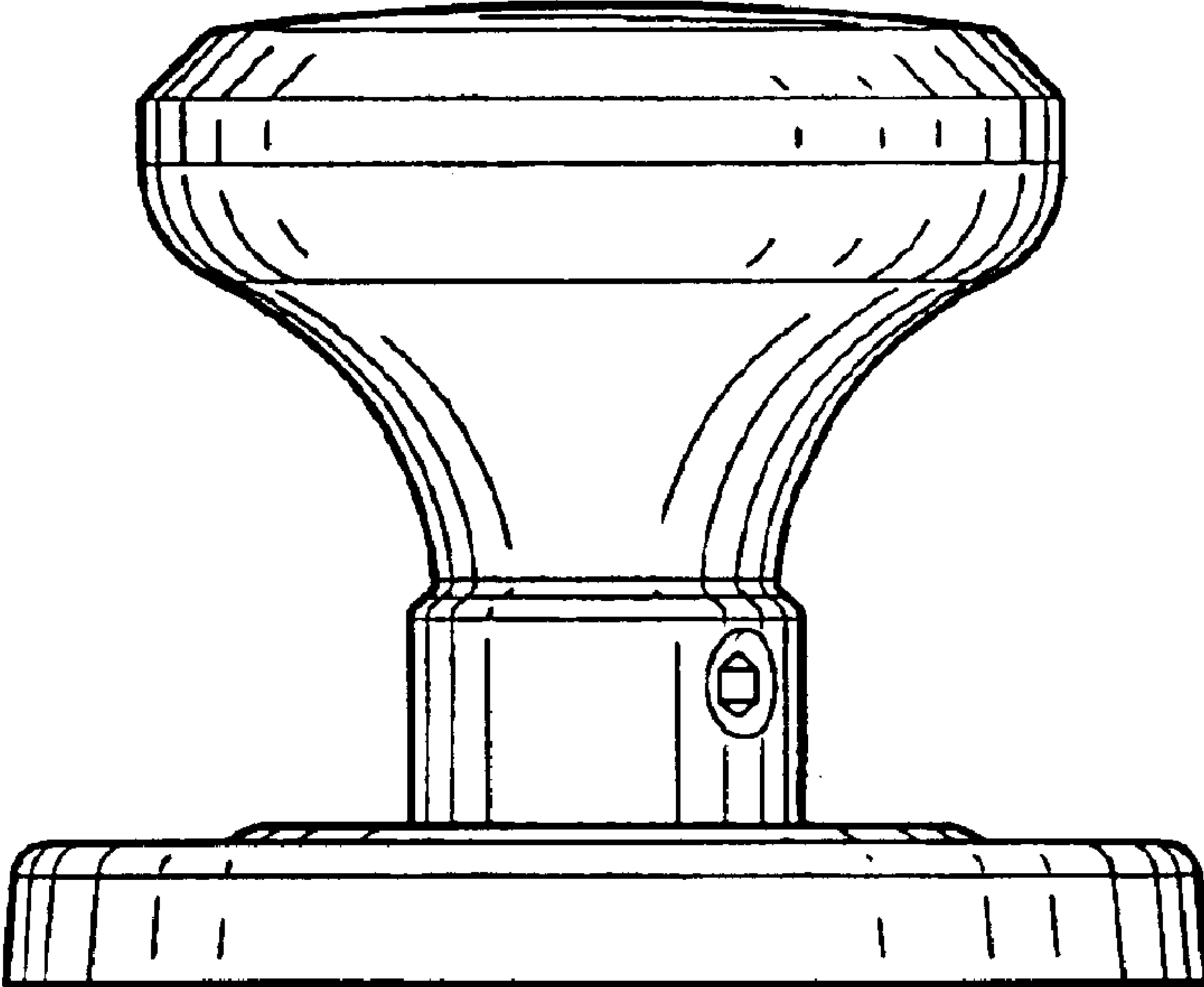


**FIG - 4**





**FIG - 5**



**FIG - 6**