



US00D510694S

(12) **United States Design Patent**  
**Giles, Jr. et al.**

(10) **Patent No.: US D510,694 S**  
(45) **Date of Patent: \*\* Oct. 18, 2005**

(54) **ELONGATE EXTENSION HANDLE FOR RATCHET WRENCH**

(76) Inventors: **Johnny Giles, Jr.**, 1880 Nicholas La. SW., Grayson, GA (US) 30017; **Delois C. Giles**, 1880 Nicholas La. SW., Grayson, GA (US) 30017

(\*\*) Term: **14 Years**

(21) Appl. No.: **29/206,788**

(22) Filed: **Jun. 4, 2004**

(51) **LOC (8) Cl. .... 08-05**

(52) **U.S. Cl. .... D8/107**

(58) **Field of Search** ..... D8/21, 25, 26, D8/107, 88, 89; 81/177.2, 60, 177.1, 489, 177.3; 16/427, 429

(56) **References Cited**

**U.S. PATENT DOCUMENTS**

3,404,427 A	10/1968	Mack	
3,407,424 A	10/1968	Lanzarone et al.	
D220,421 S	4/1971	Zutter	
4,300,607 A	11/1981	Mellinger	
4,653,142 A	3/1987	Upton	
4,691,599 A *	9/1987	Schultz	81/177.2
4,793,646 A	12/1988	Michaud, Jr.	
5,471,899 A *	12/1995	Twomlow	81/60
5,570,617 A	11/1996	Love	
5,593,460 A	1/1997	Lessard	

D377,745 S	2/1997	Laun	
D386,656 S *	11/1997	Kyser	D8/21
D396,393 S *	7/1998	McCallum	D8/29
5,921,157 A *	7/1999	Smith et al.	81/58.1
D421,379 S *	3/2000	Sanford	D8/107
D422,193 S *	4/2000	Walker	D8/107
D432,890 S *	10/2000	Webb	D8/107
6,257,102 B1 *	7/2001	Perry	81/177.2
D462,588 S *	9/2002	Kisby	D8/14

\* cited by examiner

*Primary Examiner*—Philip S. Hyder

(74) *Attorney, Agent, or Firm*—Donald R. Schoonover

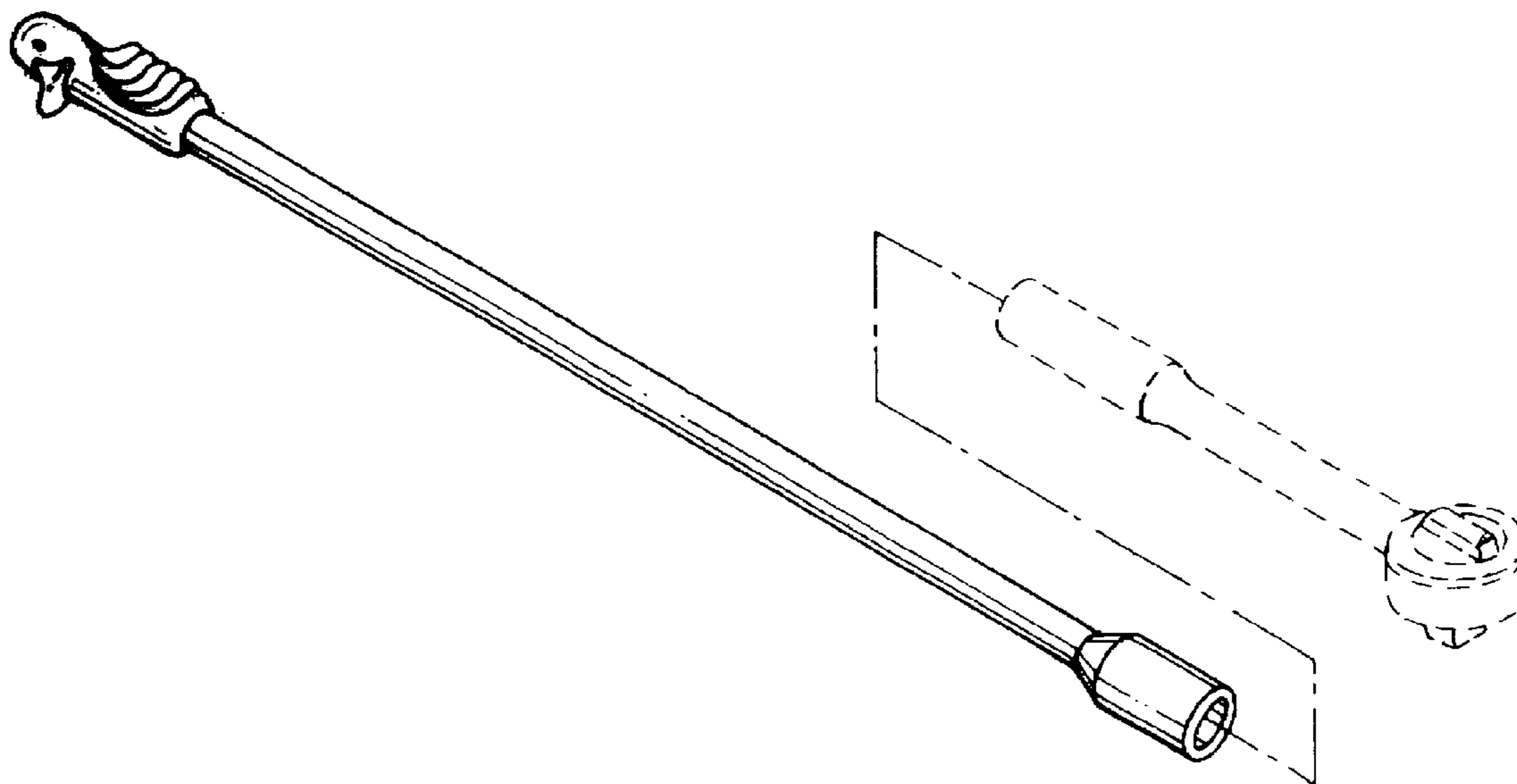
(57) **CLAIM**

We claim the ornamental design for an elongate extension handle for ratchet wrench, as shown and described.

**DESCRIPTION**

FIG. 1 is a perspective view of an elongate extension handle for ratchet wrench showing our new design; the broken lines depict environmental structure for illustrative purposes only and form no part of the claimed design; FIG. 2 is a front elevational view thereof; FIG. 3 is a rear elevational view thereof; FIG. 4 is a left side elevational view thereof, the right side elevational view being a mirror image thereof; FIG. 5 is a top plan view thereof; and, FIG. 6 is a bottom plan view thereof.

**1 Claim, 3 Drawing Sheets**



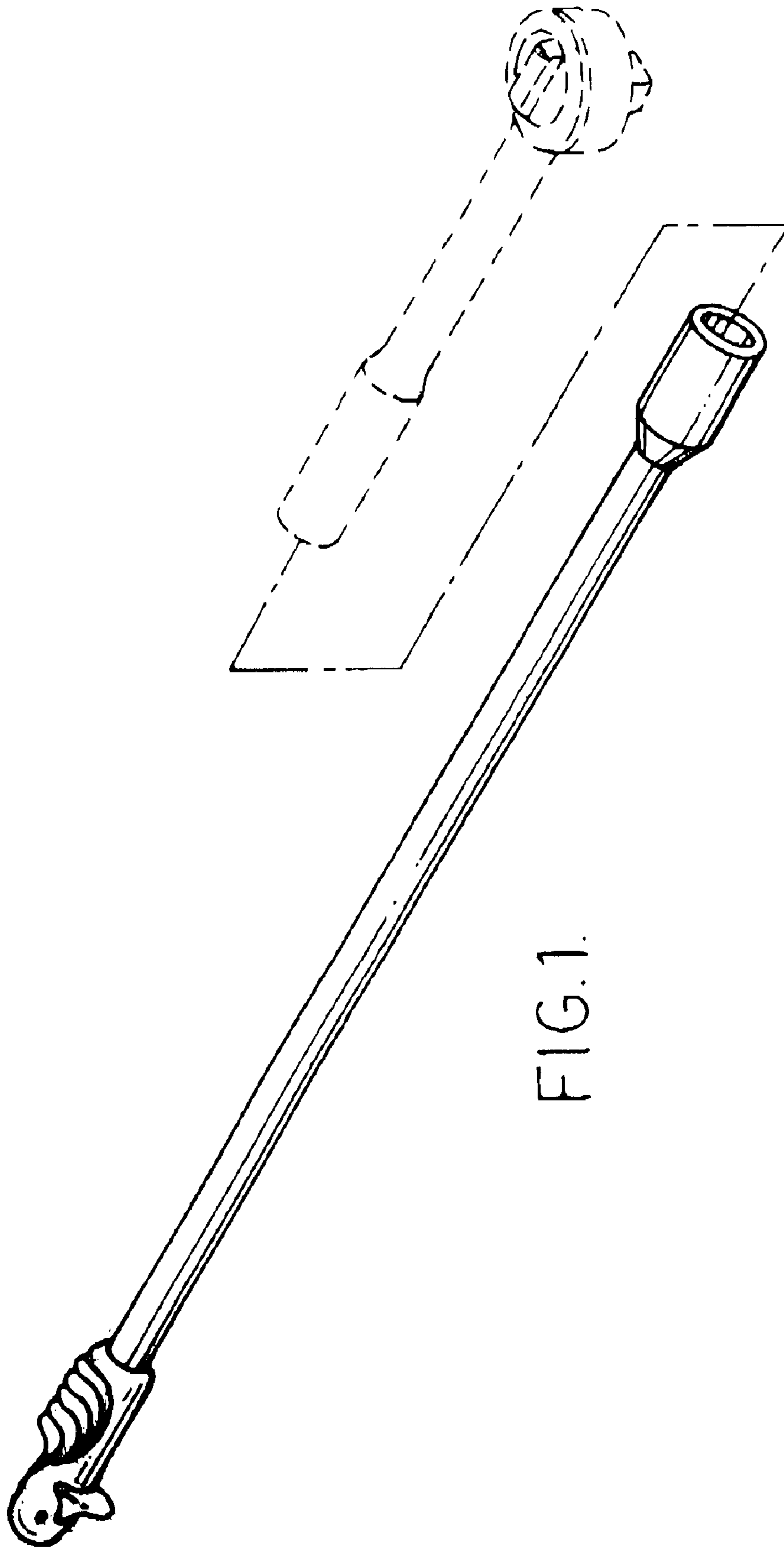


FIG.1.

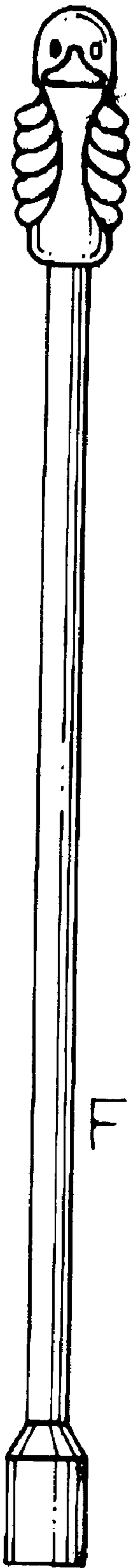


FIG. 2.

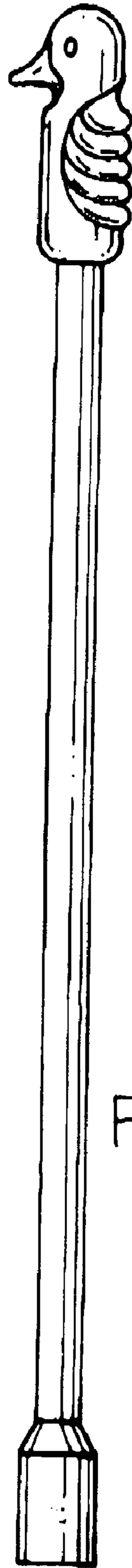


FIG. 4.

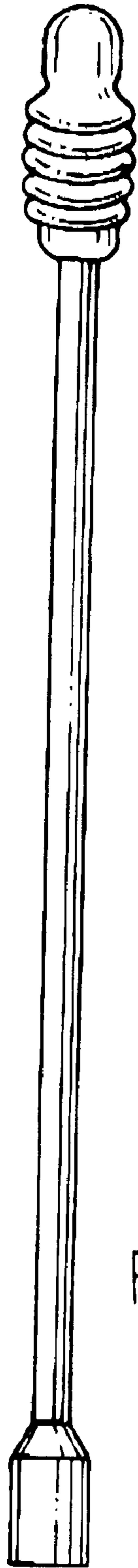


FIG. 3.



FIG. 5.



FIG. 6.