



US00D510693S

(12) **United States Design Patent**  
**Vaes**

(10) **Patent No.:** **US D510,693 S**

(45) **Date of Patent:** **\*\* Oct. 18, 2005**

(54) **UTILITY KNIFE**

(76) **Inventor:** **Ed Vaes**, 223 Avondale St., Hamilton,  
Ontario (CA), L8L 7C4

(\*\*) **Term:** **14 Years**

(21) **Appl. No.:** **29/195,369**

(22) **Filed:** **Dec. 11, 2003**

(51) **LOC (8) Cl.** ..... **08-03**

(52) **U.S. Cl.** ..... **D8/99**

(58) **Field of Search** ..... D8/98, 99; 30/162,  
30/320, 329, 335

(56) **References Cited**

**U.S. PATENT DOCUMENTS**

|            |   |         |              |       |       |
|------------|---|---------|--------------|-------|-------|
| D347,563 S | * | 6/1994  | Okada        | ..... | D8/99 |
| D386,959 S | * | 12/1997 | Okada        | ..... | D8/99 |
| D399,114 S | * | 10/1998 | Okada        | ..... | D8/99 |
| D399,721 S | * | 10/1998 | Torre        | ..... | D8/99 |
| D418,036 S | * | 12/1999 | Shearer      | ..... | D8/98 |
| D419,850 S | * | 2/2000  | Hsu          | ..... | D8/99 |
| D431,170 S | * | 9/2000  | Okada        | ..... | D8/98 |
| D436,825 S | * | 1/2001  | Chen         | ..... | D8/99 |
| D442,054 S | * | 5/2001  | Okada et al. | ..... | D8/99 |
| D443,807 S | * | 6/2001  | Okada        | ..... | D8/99 |
| D453,673 S | * | 2/2002  | Chen         | ..... | D8/99 |

D458,106 S \* 6/2002 Chong ..... D8/99

\* cited by examiner

*Primary Examiner*—Philip S. Hyder

(57) **CLAIM**

The ornamental design for a utility knife, as shown.

**DESCRIPTION**

FIG. 1 is a front elevation view of a utility knife showing my new design;

FIG. 2 is a top plan view thereof;

FIG. 3 is a left side elevation view thereof;

FIG. 4 is a right side elevation view thereof;

FIG. 5 is a bottom plan view thereof;

FIG. 6 is a top, front, and left side perspective view thereof;

FIG. 7 is a top, rear, and left side perspective view thereof;

FIG. 8 is a front elevation view of an alternate embodiment of the utility knife showing my new design;

FIG. 9 is a top plan view of FIG. 8;

FIG. 10 is a left side elevation view of FIG. 8;

FIG. 11 is a right side elevation view of FIG. 8;

FIG. 12 is a bottom plan view of FIG. 8;

FIG. 13 is a top, front, and left side perspective view of FIG. 8; and,

FIG. 14 is a top, rear, and left side perspective view of FIG. 8.

**1 Claim, 6 Drawing Sheets**

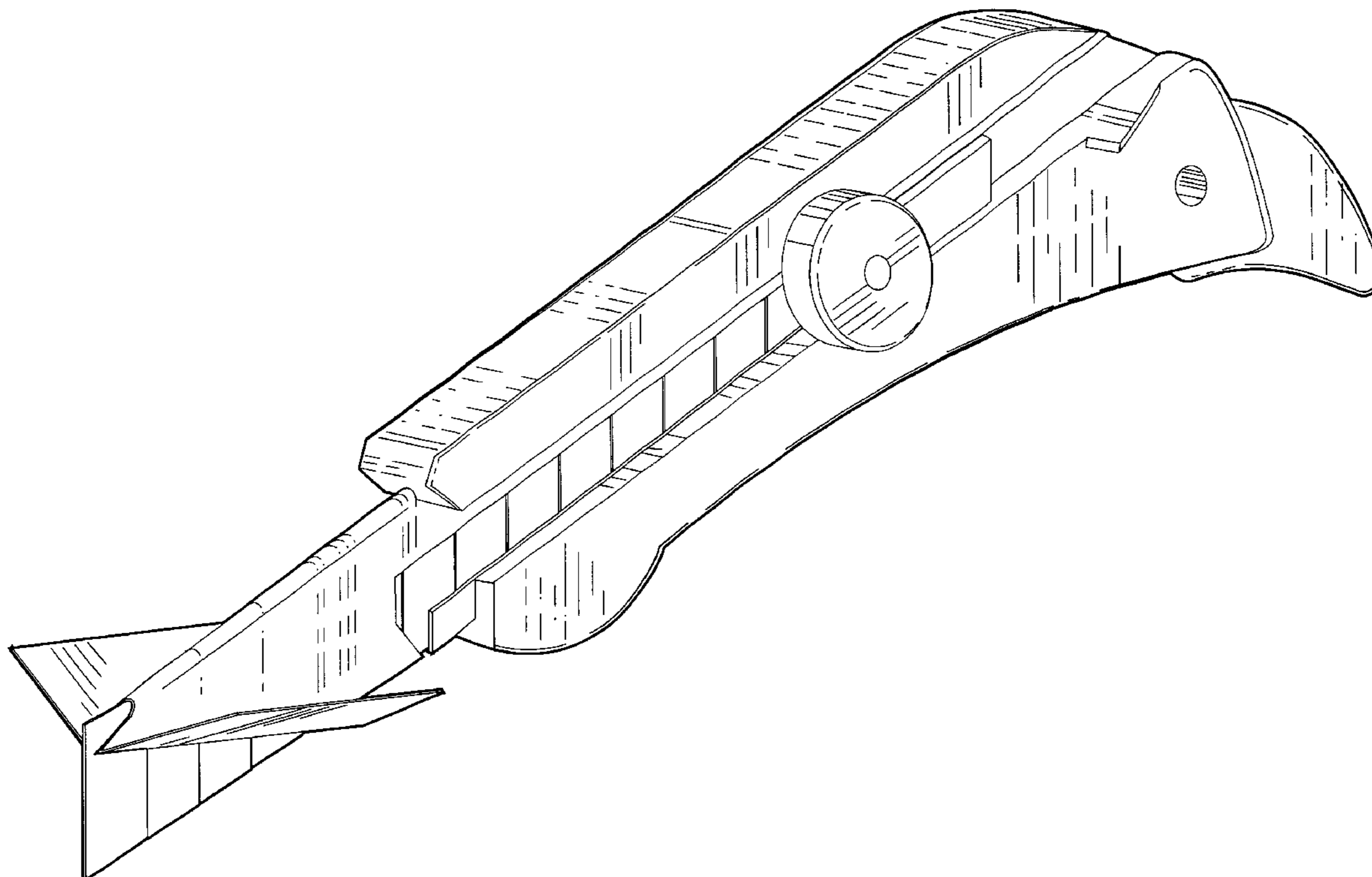


Fig-2

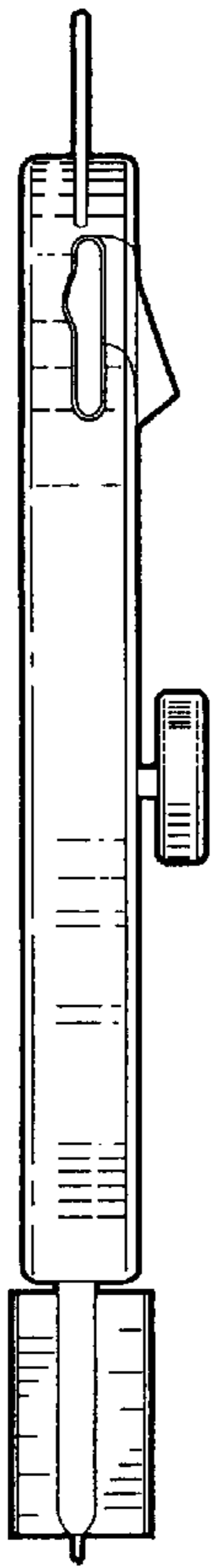


Fig-3

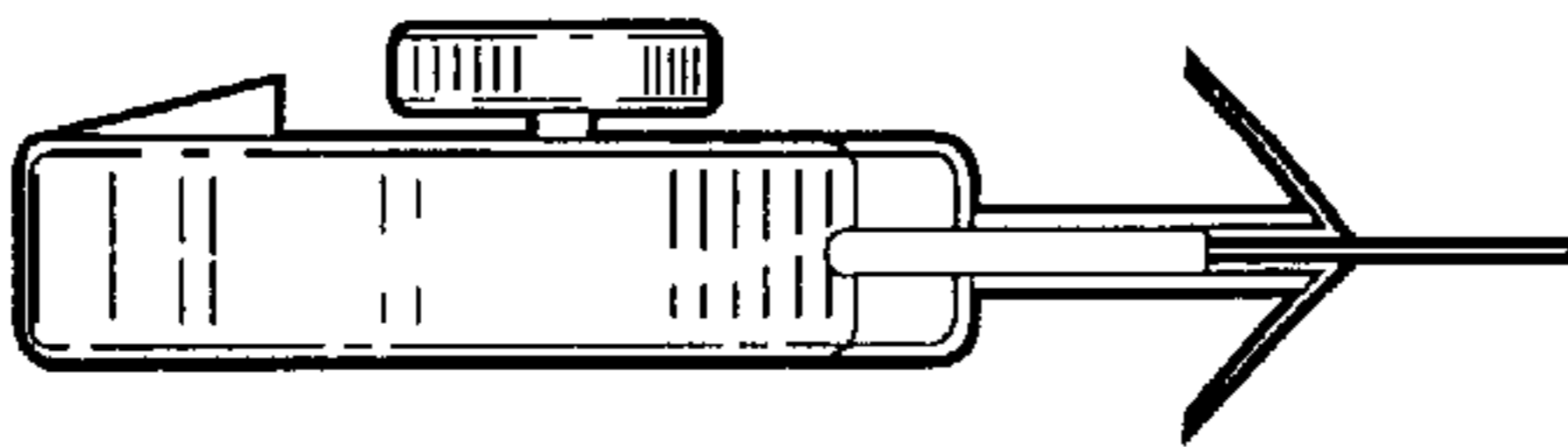


Fig-4

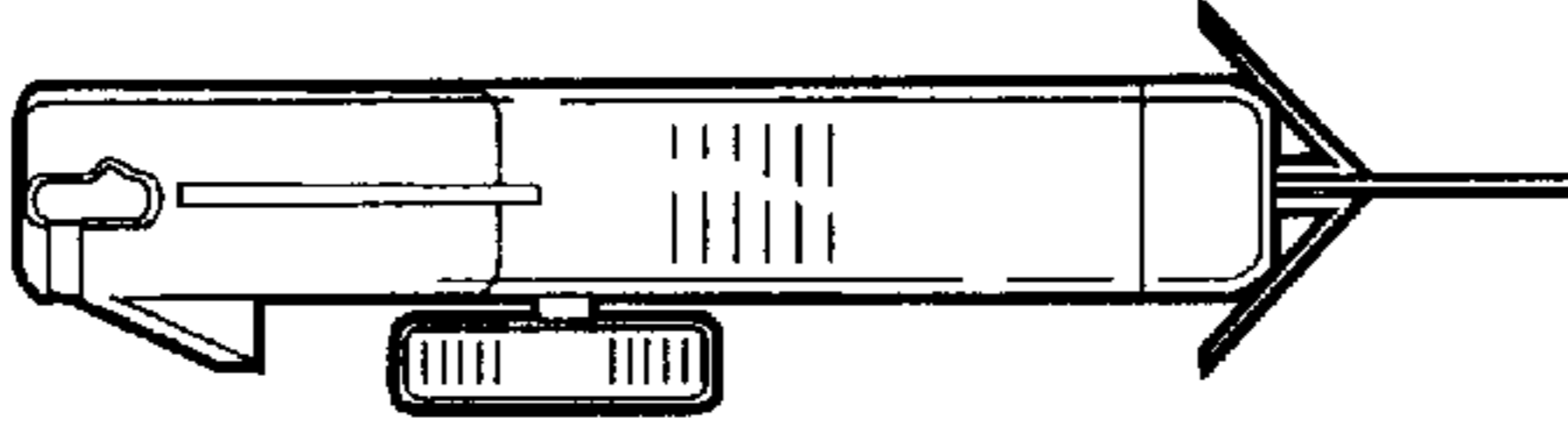


Fig-1

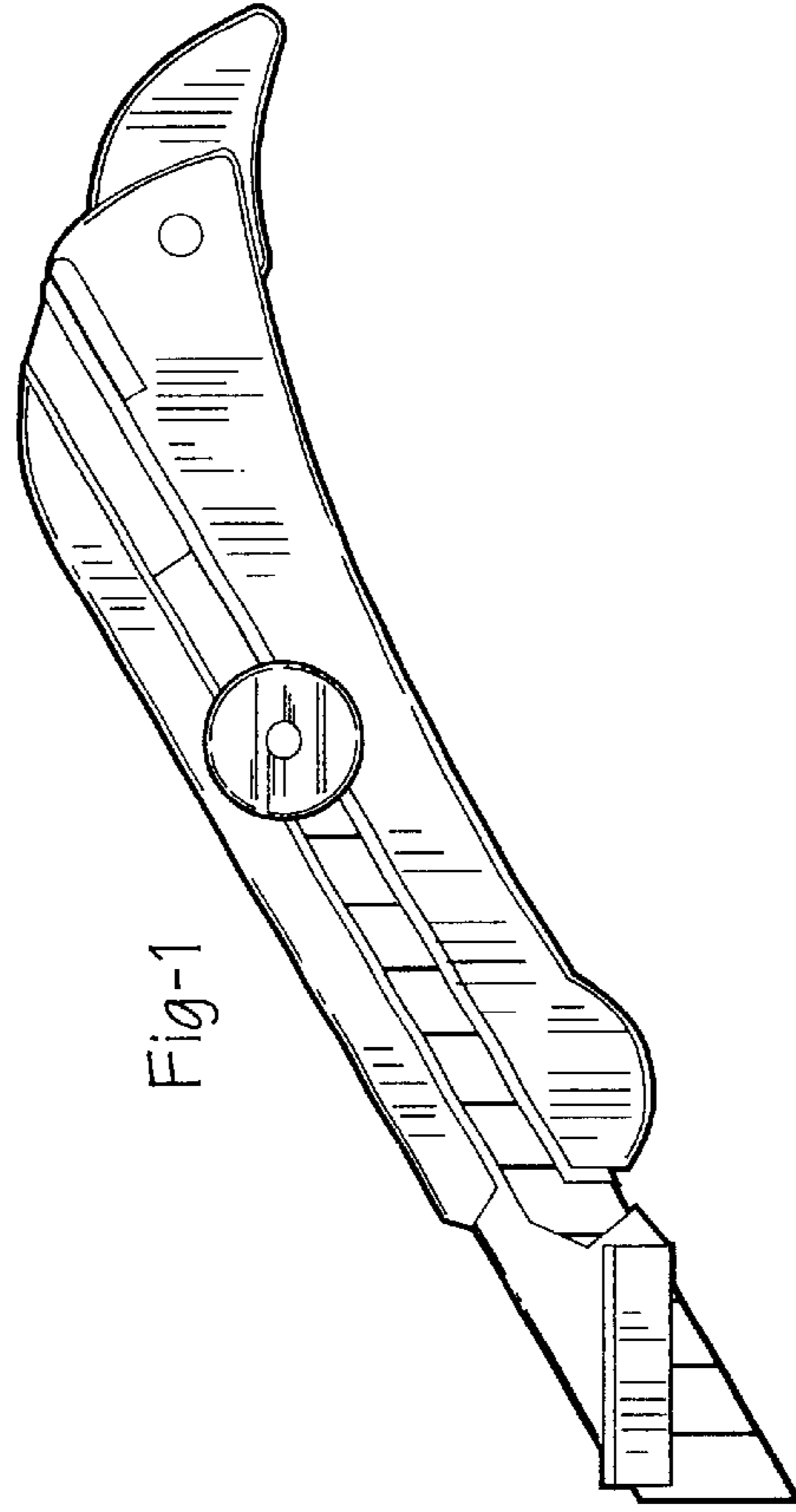
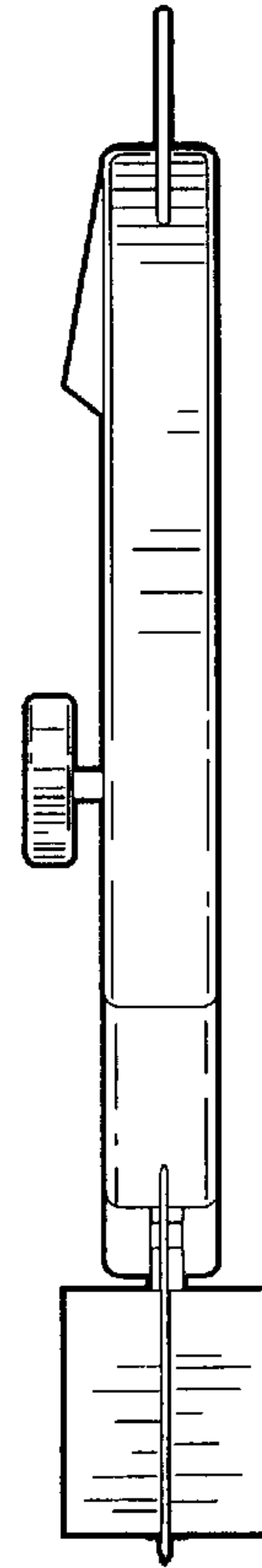


Fig-5



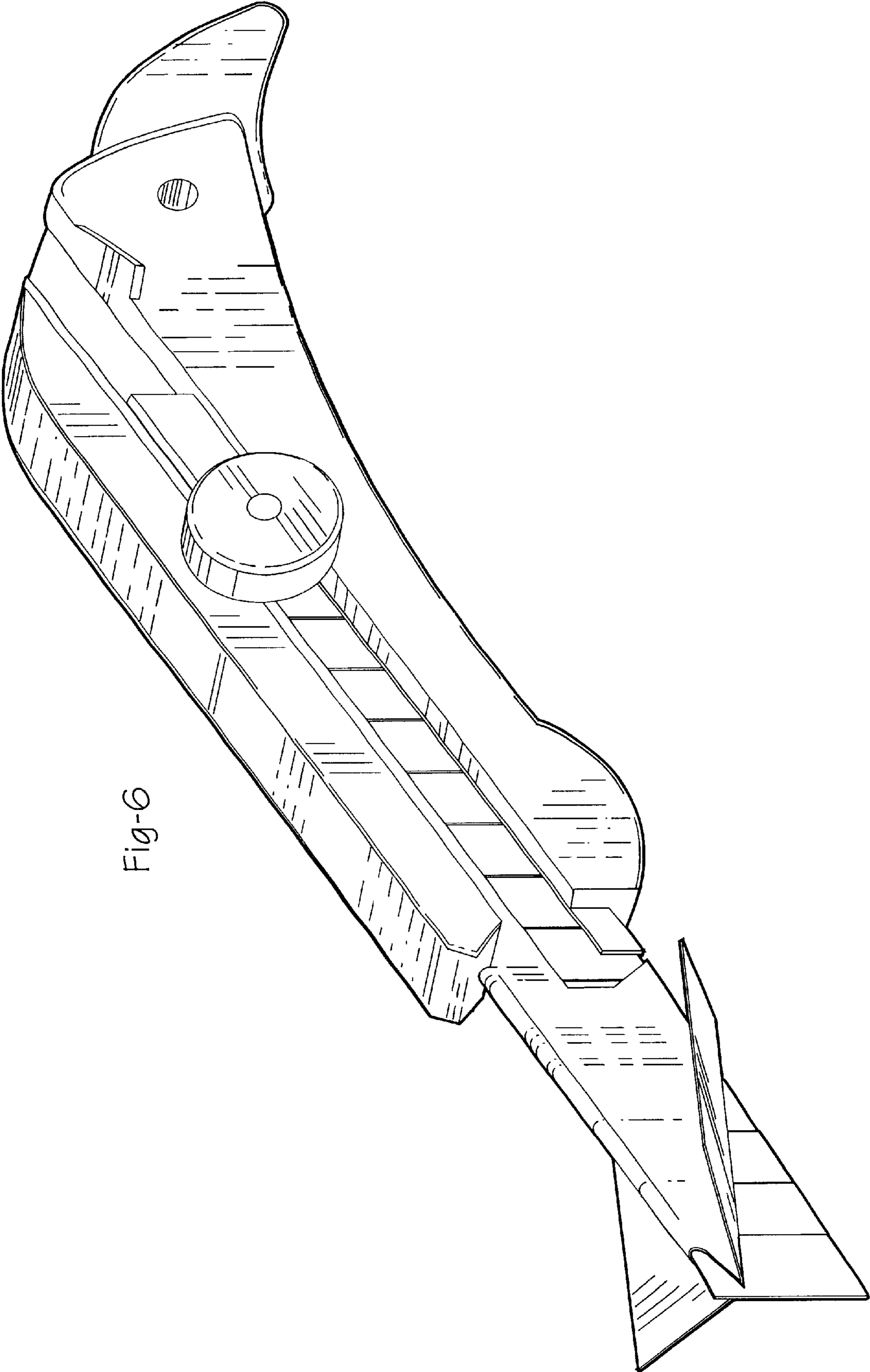


Fig-6

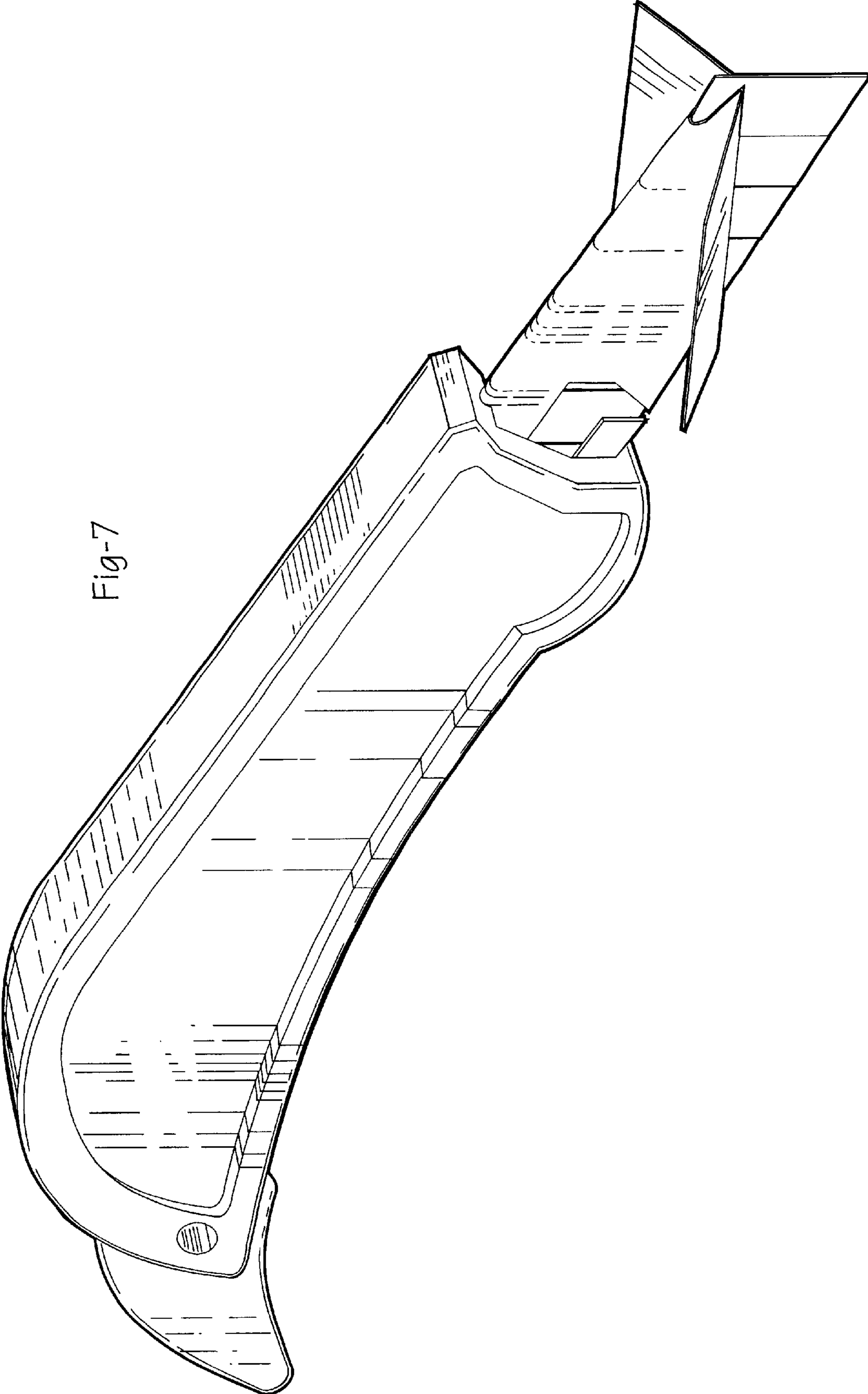


Fig-7

Fig-9

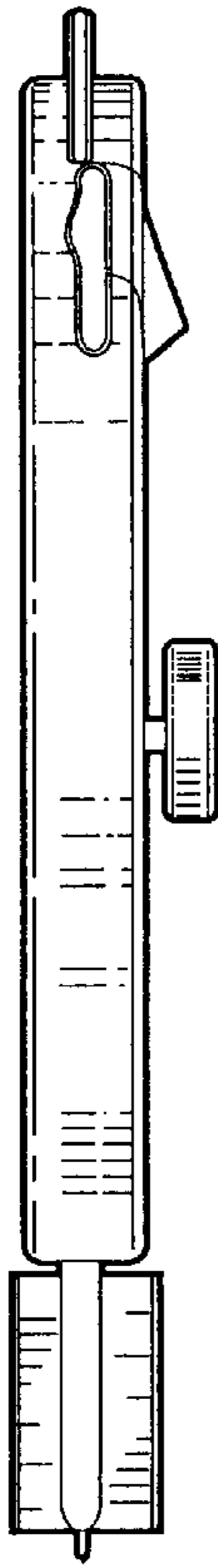


Fig-10

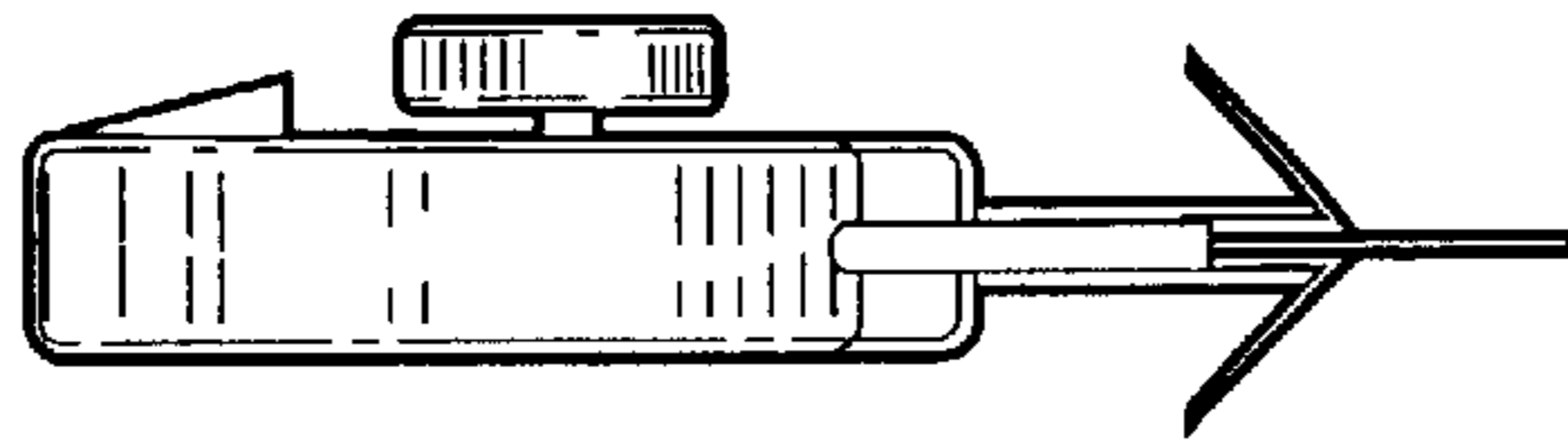


Fig11

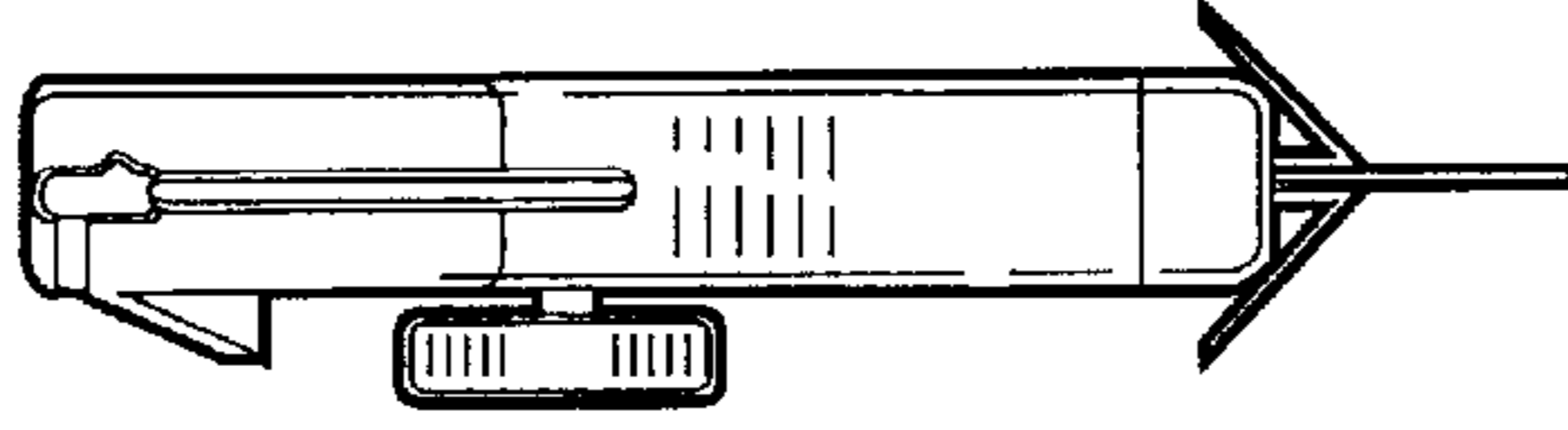


Fig-8

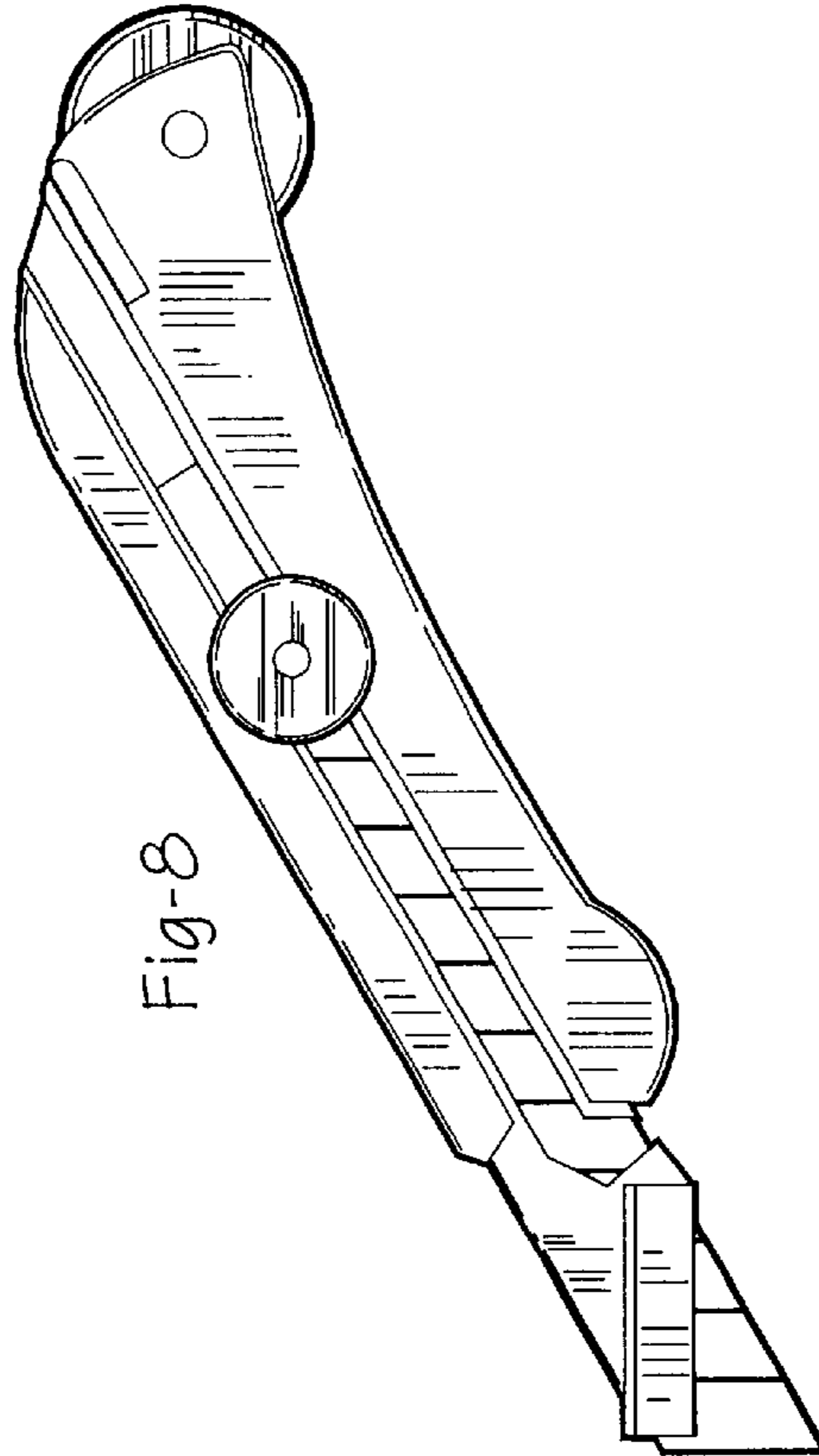
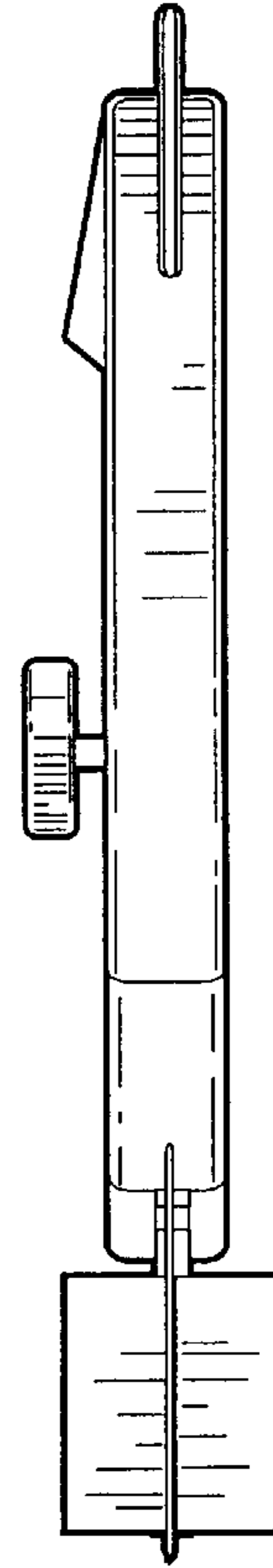


Fig-12



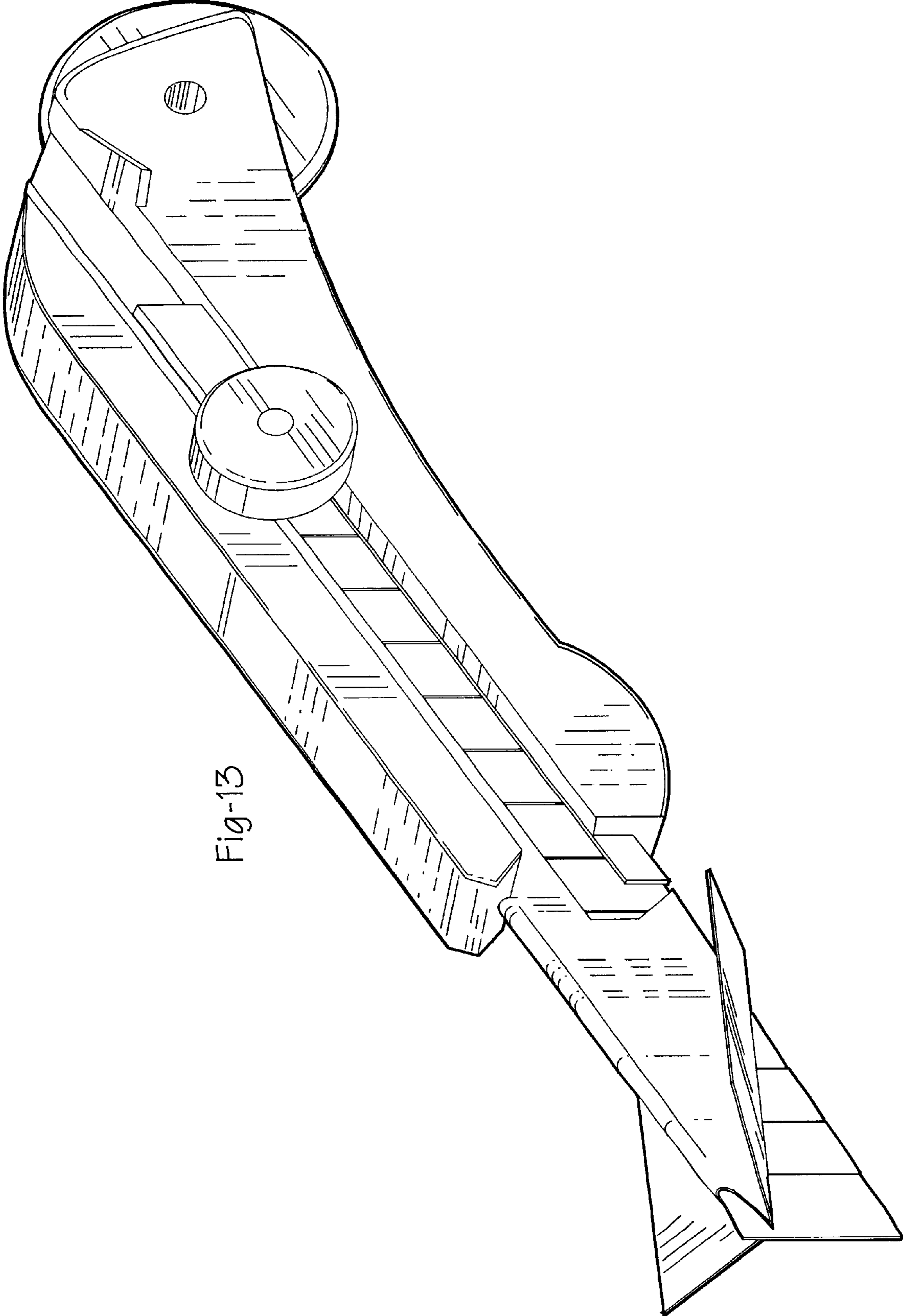


Fig-13

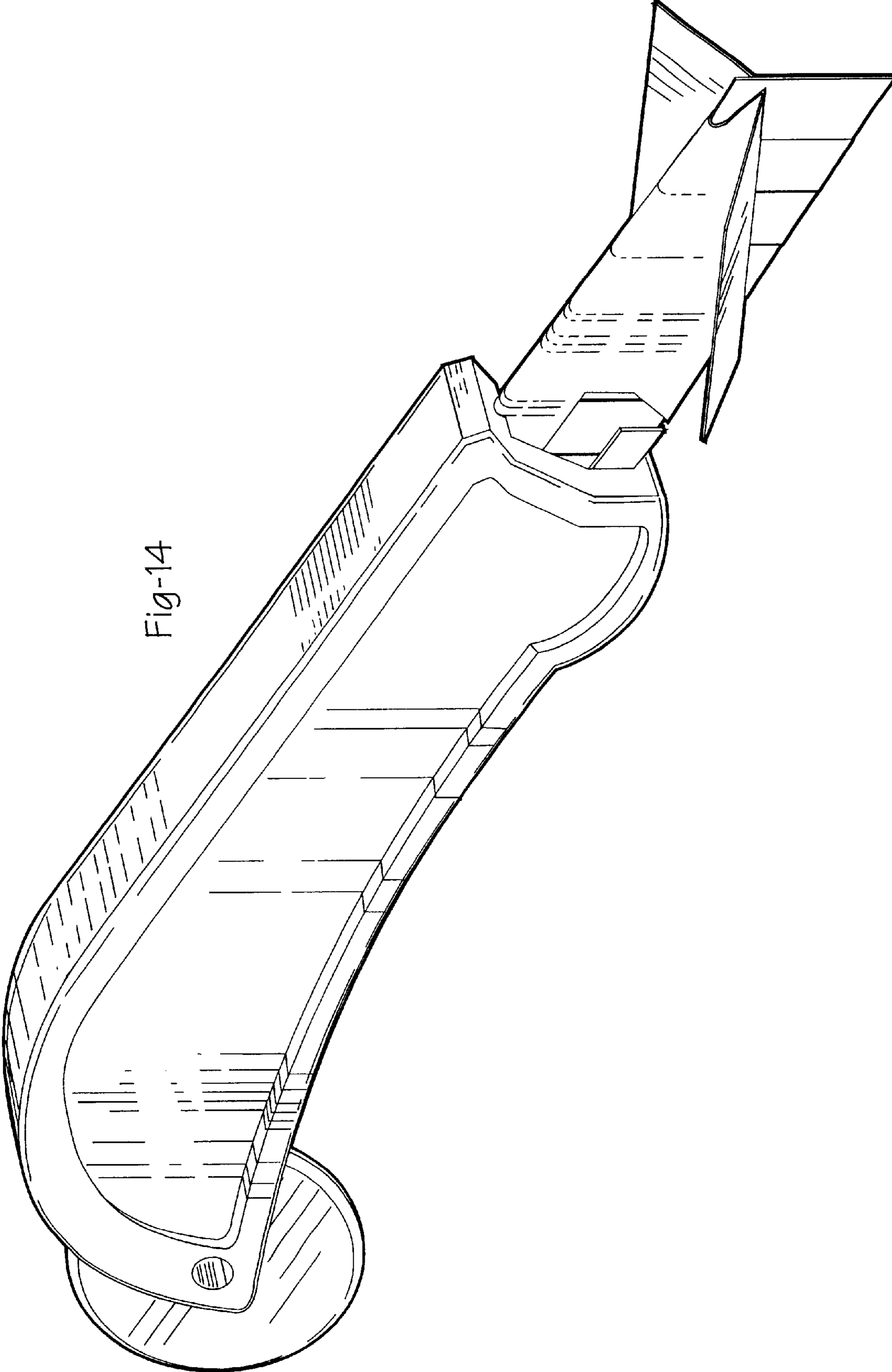


Fig-14