



US00D510691S

(12) **United States Design Patent**  
**Storm**

(10) **Patent No.:** **US D510,691 S**

(45) **Date of Patent:** **\*\* Oct. 18, 2005**

(54) **HATCHET HEAD**

(76) **Inventor:** **John C. Storm**, 311 East Fayette St.,  
Pittsfield, IL (US) 62363

(\*\*) **Term:** **14 Years**

(21) **Appl. No.:** **29/210,059**

(22) **Filed:** **Jul. 26, 2004**

(51) **LOC (8) Cl.** ..... **08-02**

(52) **U.S. Cl.** ..... **D8/76; D8/78**

(58) **Field of Search** ..... **D8/75, 76, 77,**  
**D8/78, 79, 81; 7/144, 159; 30/308.1, 308.2,**  
**308.3**

(56) **References Cited**

**U.S. PATENT DOCUMENTS**

D115,256 S	*	6/1939	Vaughan	.....	D8/76
D140,329 S	*	2/1945	Stoddard	.....	D8/76
3,187,354 A		6/1965	Frisbie	.....	7/14.1
D243,314 S	*	2/1977	Hedvall	.....	D8/76
D257,826 S	*	1/1981	Jones	.....	D8/78
D266,141 S	*	9/1982	Nannen	.....	D8/76
4,412,572 A	*	11/1983	Clark	.....	30/308.1

4,433,709 A	*	2/1984	Porter	.....	81/26
D299,412 S	*	1/1989	Zabarte	.....	D8/76
D378,656 S	*	4/1997	Maine	.....	D8/78

\* cited by examiner

*Primary Examiner*—Philip S. Hyder

(74) *Attorney, Agent, or Firm*—Philip L. Bateman

(57) **CLAIM**

The ornamental design for a hatchet head, as shown and described.

**DESCRIPTION**

FIG. 1 is a right side and top perspective view of a hatchet head showing my new design, wherein the broken line showing of the branch threaded into the opening to form a handle is for illustrative purposes only and forms no part of the claimed design.

FIG. 2 is a top plan view thereof;

FIG. 3 is a rear elevation view thereof;

FIG. 4 is a left side elevation view thereof;

FIG. 5 is a front elevation view thereof; and,

FIG. 6 is a bottom plan view thereof.

**1 Claim, 1 Drawing Sheet**

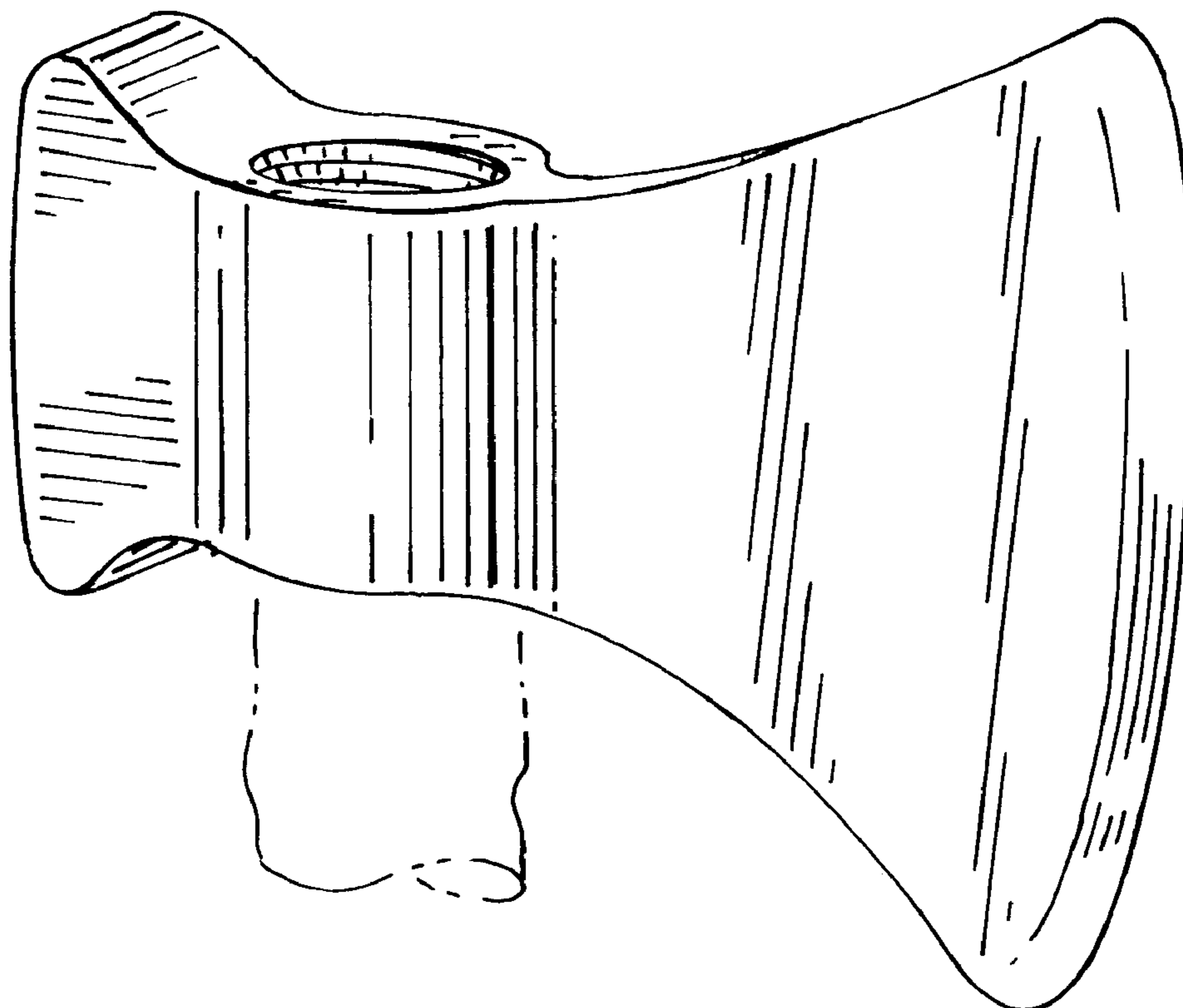


FIG. 1

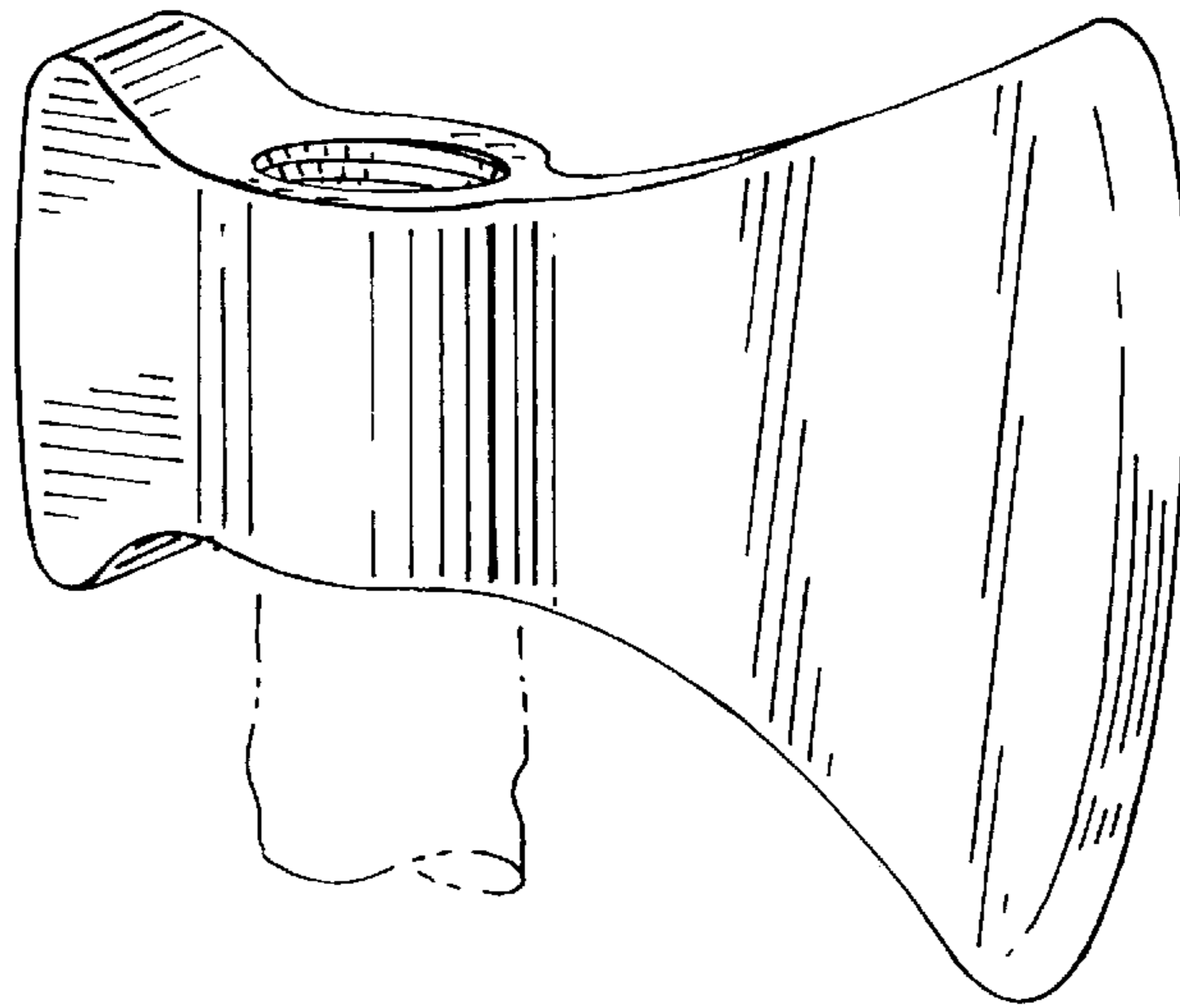


FIG. 2

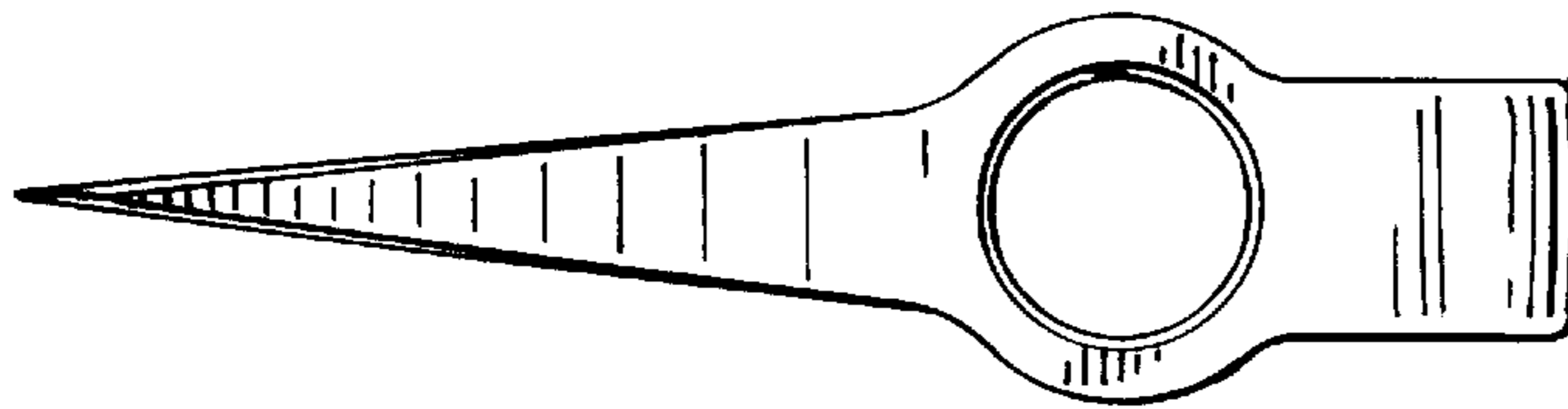


FIG. 3

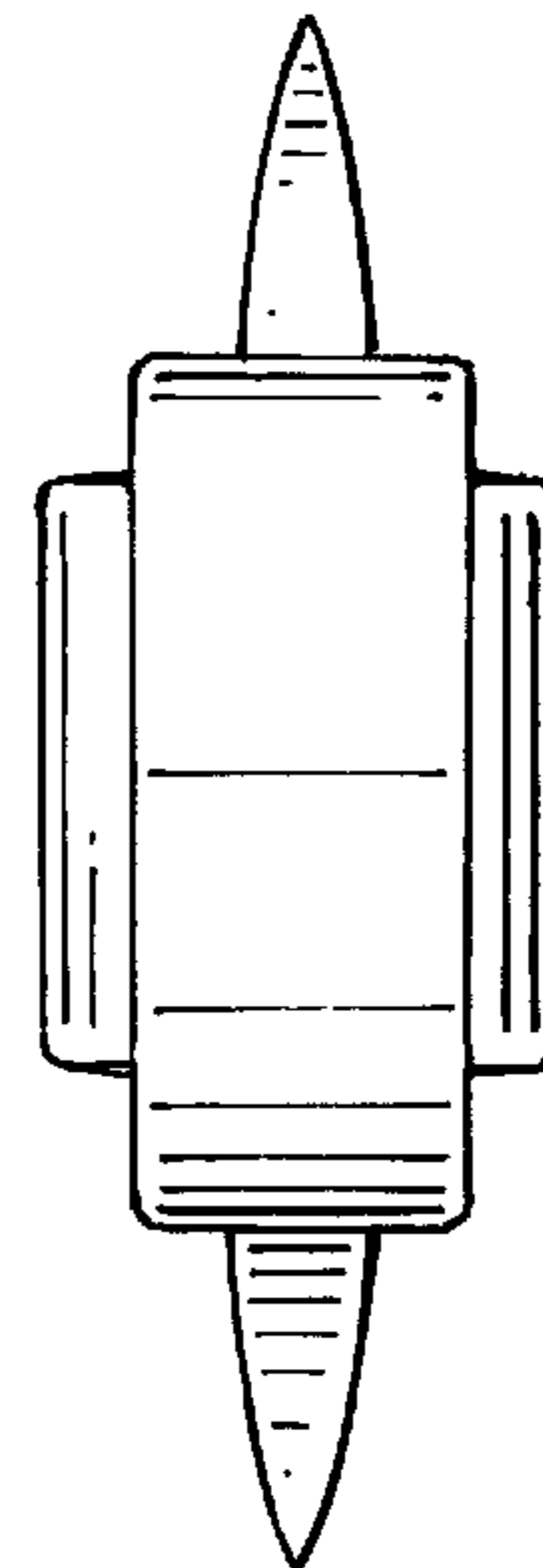


FIG. 4

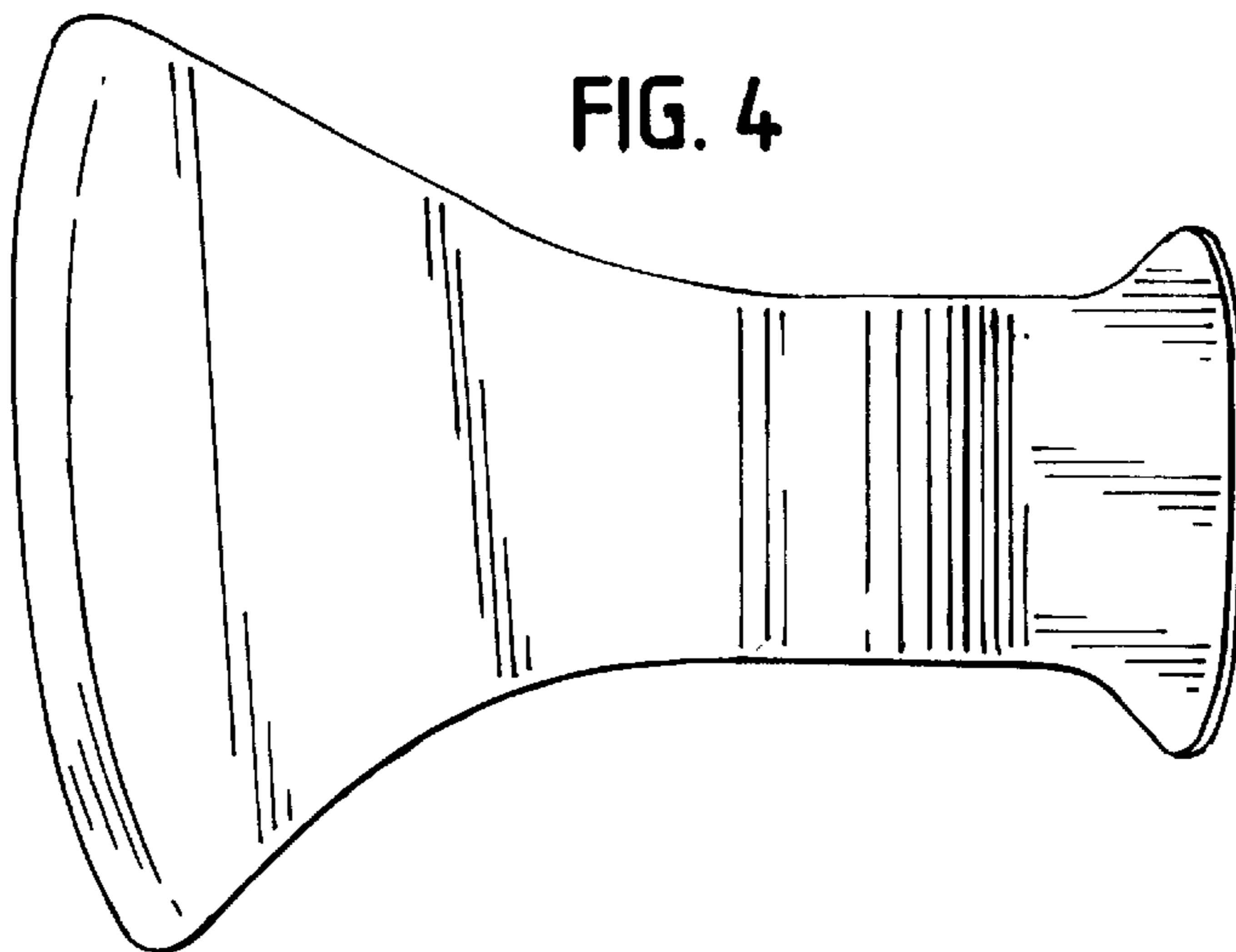


FIG. 5

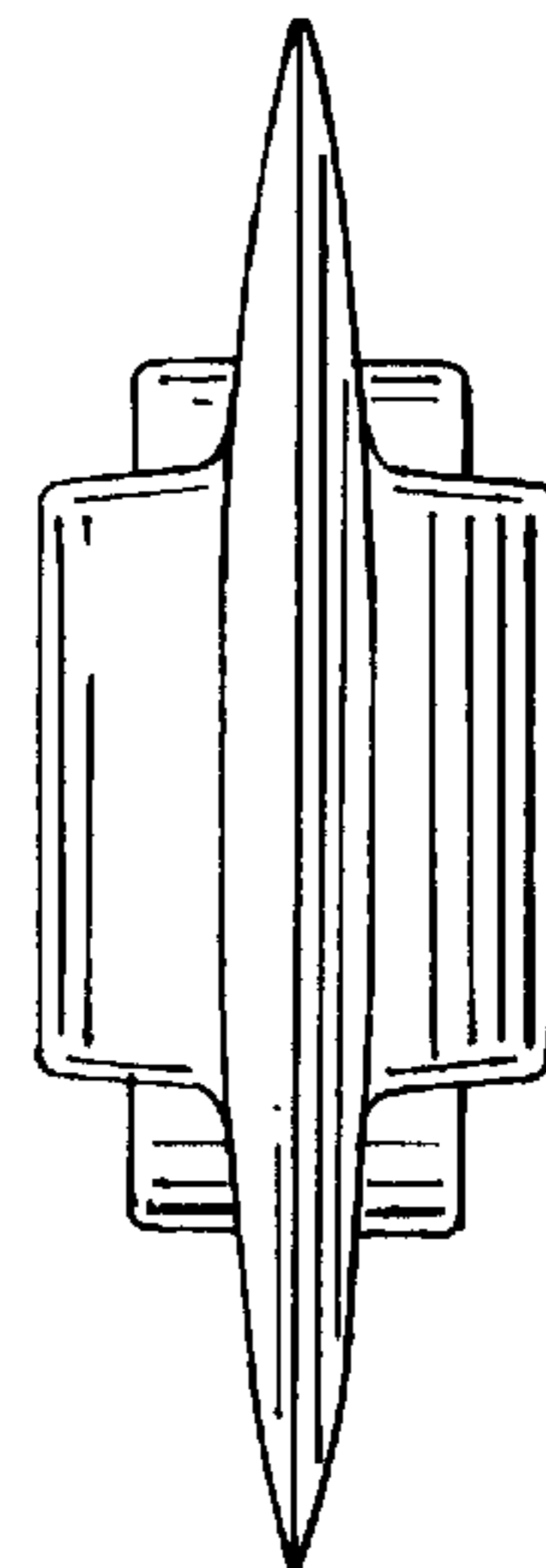


FIG. 6

