

US00D510690S

(12) **United States Design Patent**
Greiner

(10) **Patent No.:** **US D510,690 S**

(45) **Date of Patent:** **** Oct. 18, 2005**

(54) **CAN OPENER**

D496,228 S 9/2004 Greiner

D501,770 S * 2/2005 Di Bitonto et al. D8/39

(75) Inventor: **Ulrich Greiner**, Elchingen (DE)

* cited by examiner

(73) Assignee: **Moha Moderne Haushaltwaren AG**,
Zollikofen (CH)

Primary Examiner—Caron D. Veynar

(74) *Attorney, Agent, or Firm*—Pauley Petersen & Erickson

(**) Term: **14 Years**

(57) **CLAIM**

(21) Appl. No.: **29/210,463**

The ornamental design for a can opener, as shown and described.

(22) Filed: **Jul. 30, 2004**

DESCRIPTION

(51) **LOC (8) Cl.** **07-99**

(52) **U.S. Cl.** **D8/40**

(58) **Field of Search** D8/16–20, 33–35,
D8/38–43, 88, 89, 105; 7/138, 151–166;
30/1.5, 169, 400–450; 81/3.05–3.49; 294/15

FIG. 1 is a top perspective view of a can opener showing my new design;

FIG. 2 is a top view of the can opener, as shown in FIG. 1;
FIG. 3 is a bottom view of the can opener, as shown in FIG. 1;

FIG. 4 is a side view of the can opener, as shown in FIG. 1;
FIG. 5 is a side view, opposite the side view shown in FIG. 4, of the can opener, as shown in FIG. 1;

FIG. 6 is a front view of the can opener, as shown in FIG. 1; and,

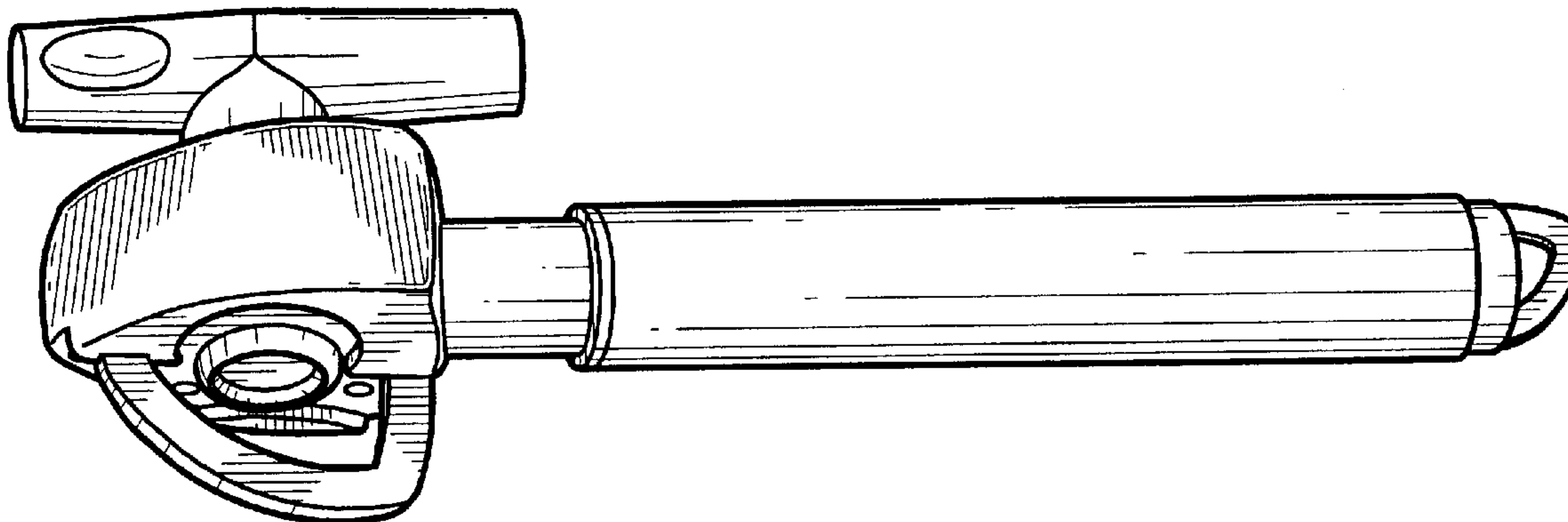
FIG. 7 is a rear view of the can opener, as shown in FIG. 1.

(56) **References Cited**

U.S. PATENT DOCUMENTS

D393,403 S	*	4/1998	Tse	D8/40
D441,626 S		5/2001	Greiner		
D459,962 S	*	7/2002	Chong	D8/40
D471,412 S	*	3/2003	Greiner	D8/41
6,618,886 B2		9/2003	Herren		

1 Claim, 2 Drawing Sheets



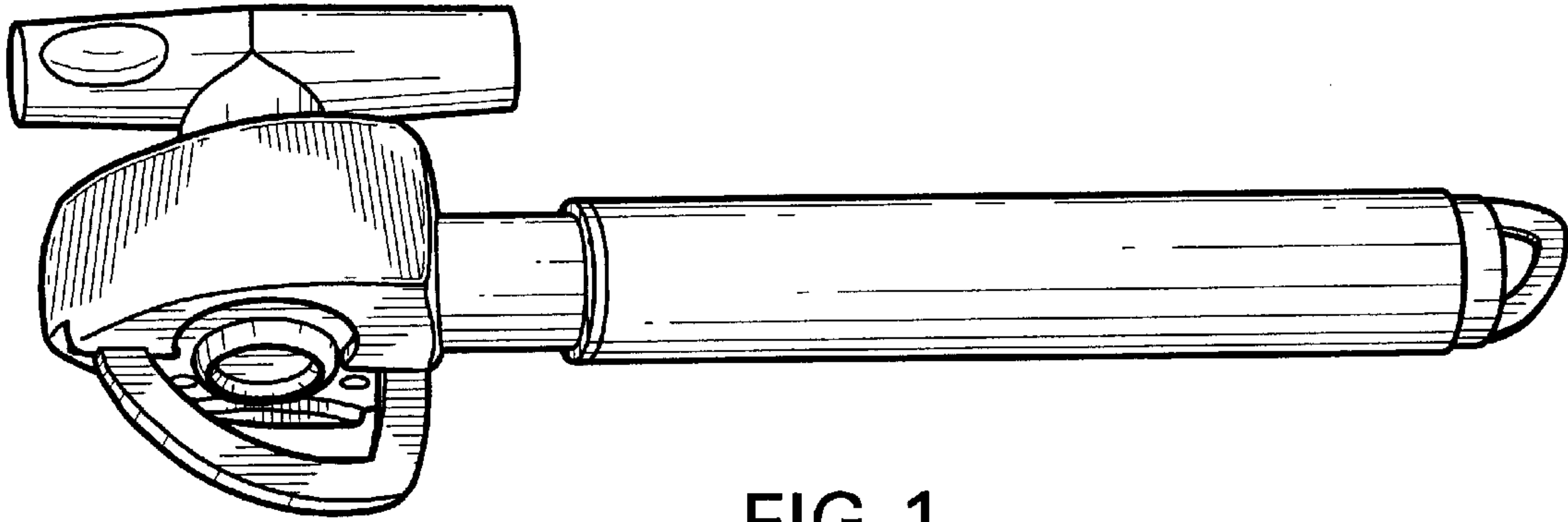


FIG. 1

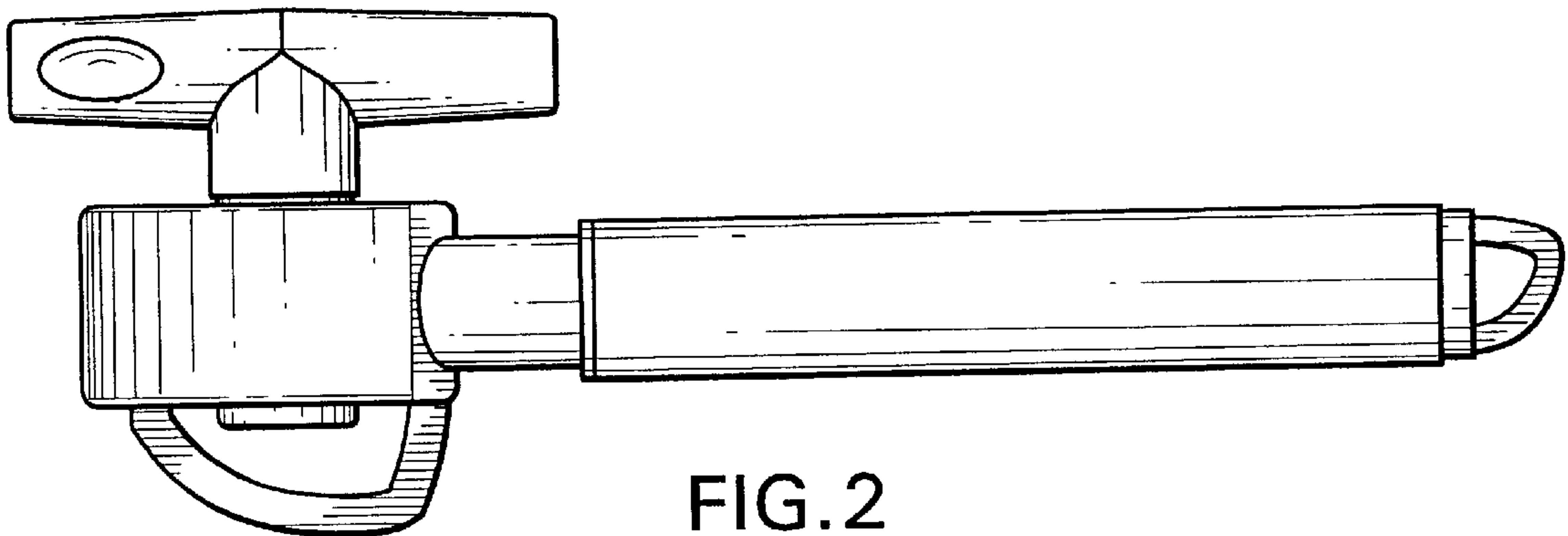


FIG. 2

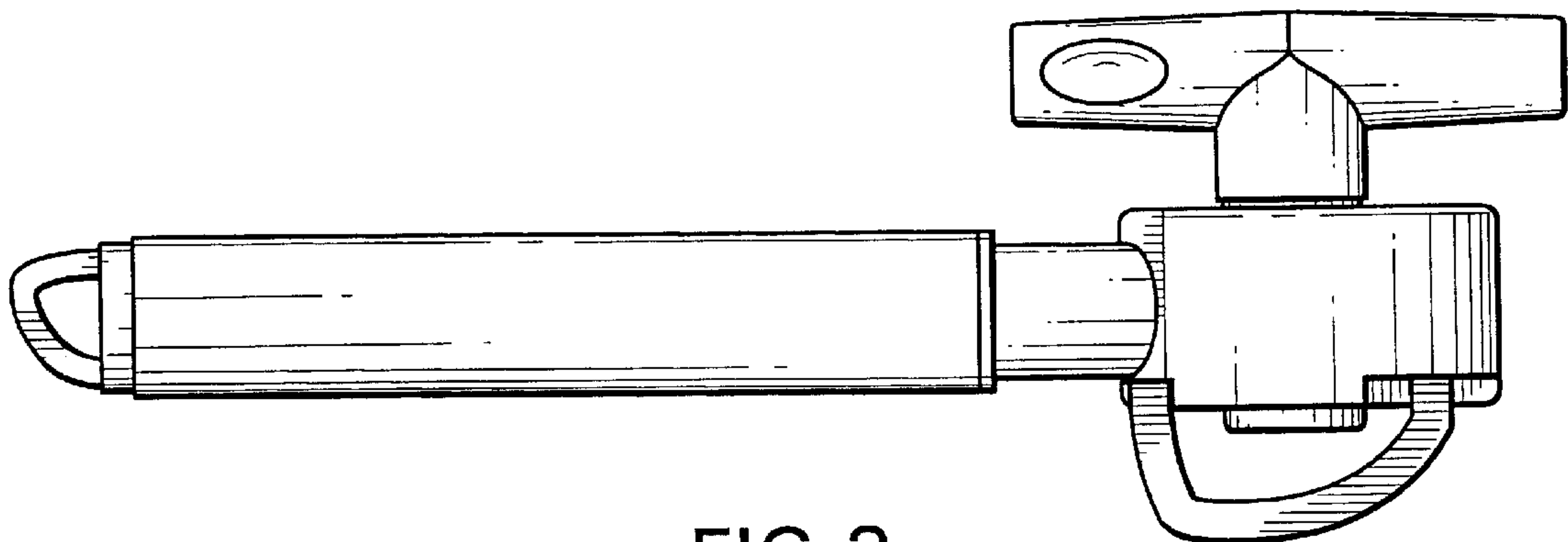


FIG. 3

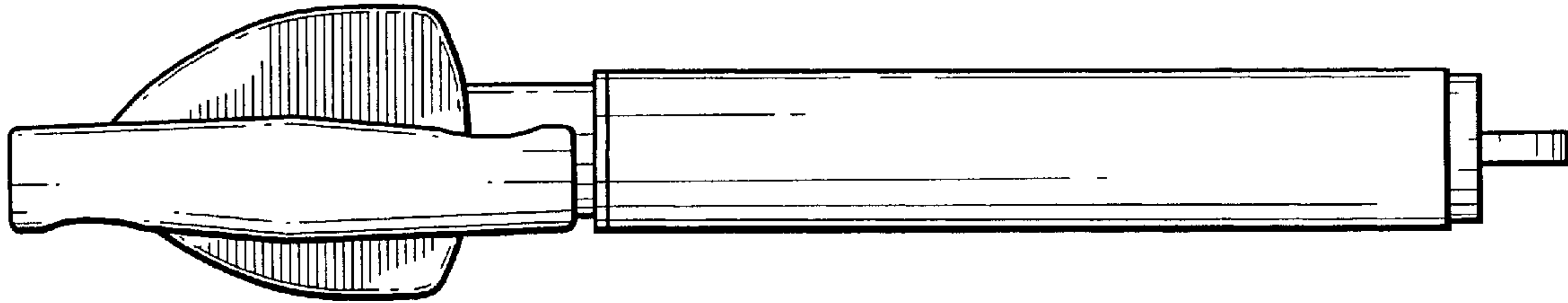


FIG. 4

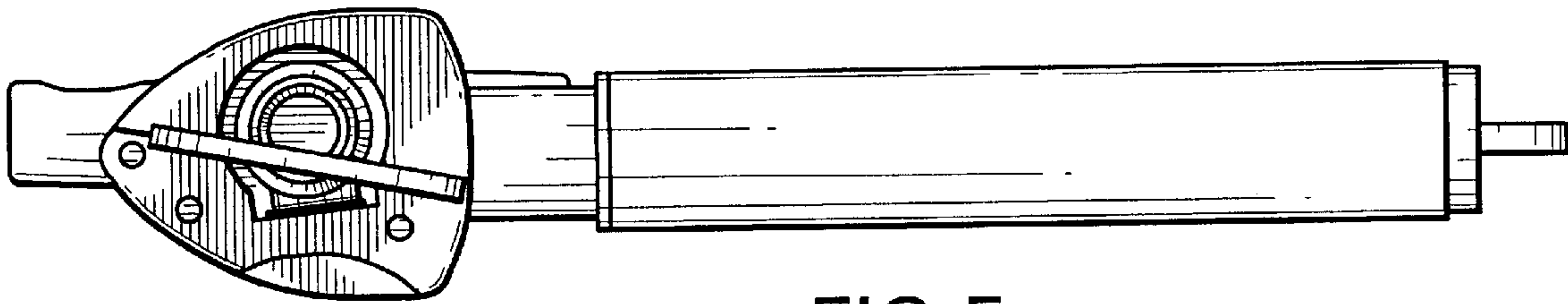


FIG. 5

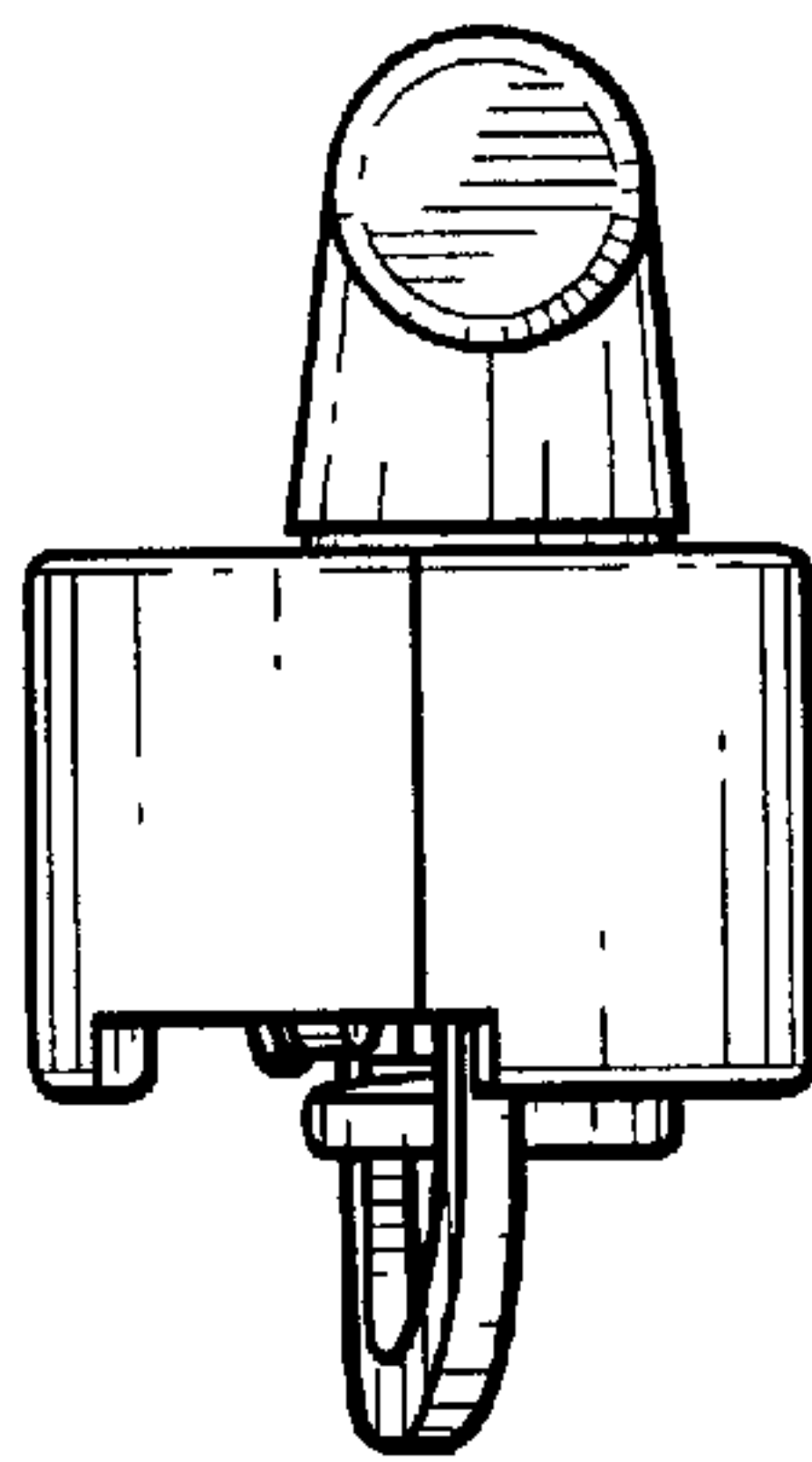


FIG. 6

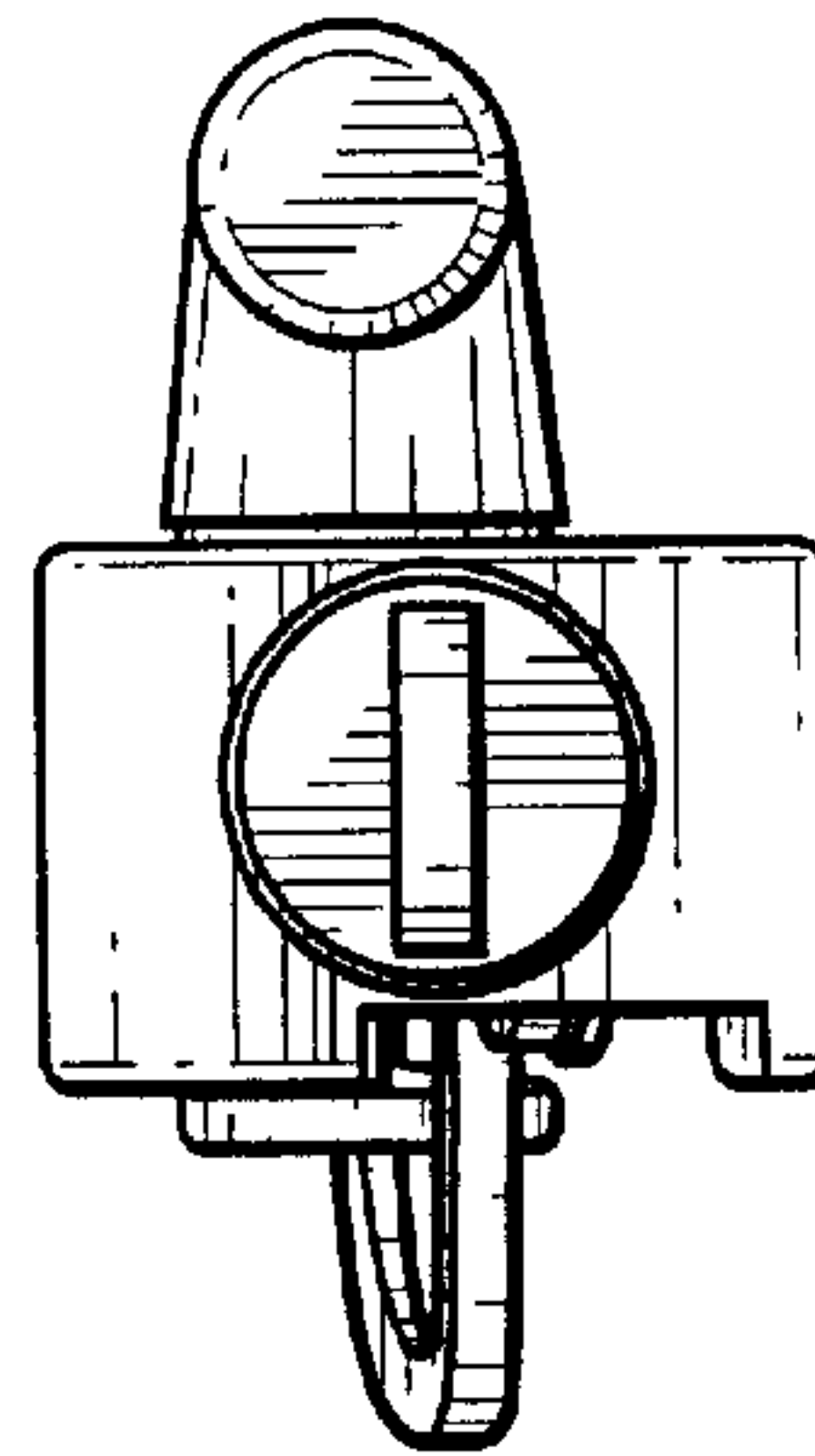


FIG. 7