



US00D510683S

(12) **United States Design Patent**
Nichols

(10) **Patent No.:** **US D510,683 S**

(45) **Date of Patent:** **** Oct. 18, 2005**

(54) **CONDIMENT SHAKER**

5,429,281 A * 7/1995 Sellers 222/457.5

(75) Inventor: **Michael Nichols**, Jensen Beach, FL
(US)

* cited by examiner

Primary Examiner—Terry A. Wallace

(73) Assignee: **Roy Heller**, Hollywood, FL (US)

(74) *Attorney, Agent, or Firm*—Kevin Redmond

(**) Term: **14 Years**

(57) **CLAIM**

The ornamental design for a condiment shaker, as shown and described.

(21) Appl. No.: **29/206,153**

(22) Filed: **May 27, 2004**

DESCRIPTION

(51) **LOC (8) Cl.** **07-06**

FIG. 1 is a front elevation view of the present invention when completely assembled, showing the outside envelope and an internal tower both which are supported by a base. FIG. 2 shows the invention disassembled with the outside envelope shown above the tower which has been removed and positioned below the outside envelope. FIG. 3 is a top view of the completely assembled invention; and, FIG. 4 is a bottom view of the completely assembled invention.

(52) **U.S. Cl.** **D7/597**

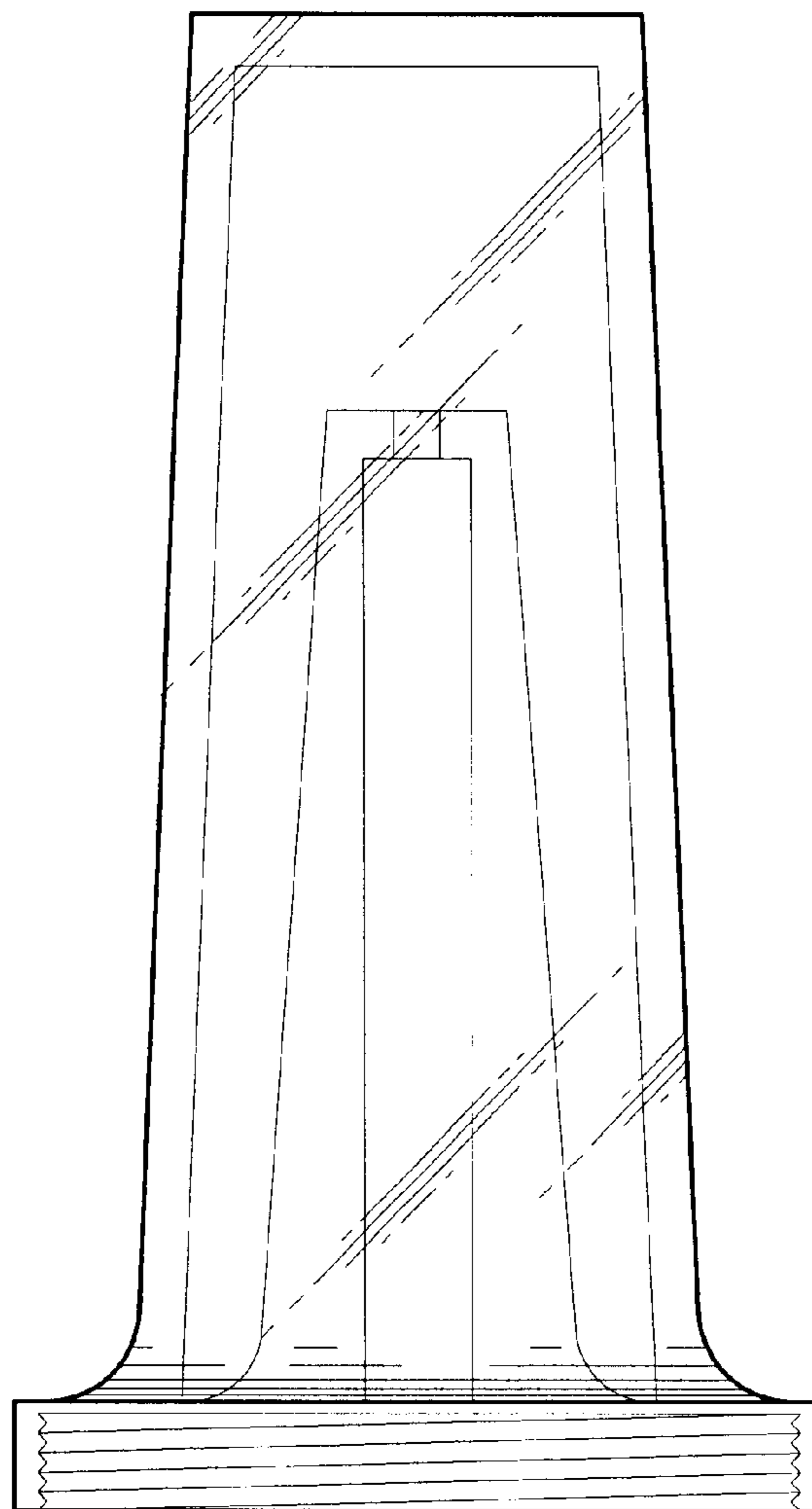
(58) **Field of Search** D7/590–597; D9/509,
D9/514; 222/142.1–142.7, 480, 457.5; 241/168,
169, 169.1

(56) **References Cited**

U.S. PATENT DOCUMENTS

- 4,193,521 A * 3/1980 Bounds 222/142.4
- D257,204 S * 10/1980 Bounds D7/596
- D279,158 S * 6/1985 Bounds D7/591

1 Claim, 3 Drawing Sheets



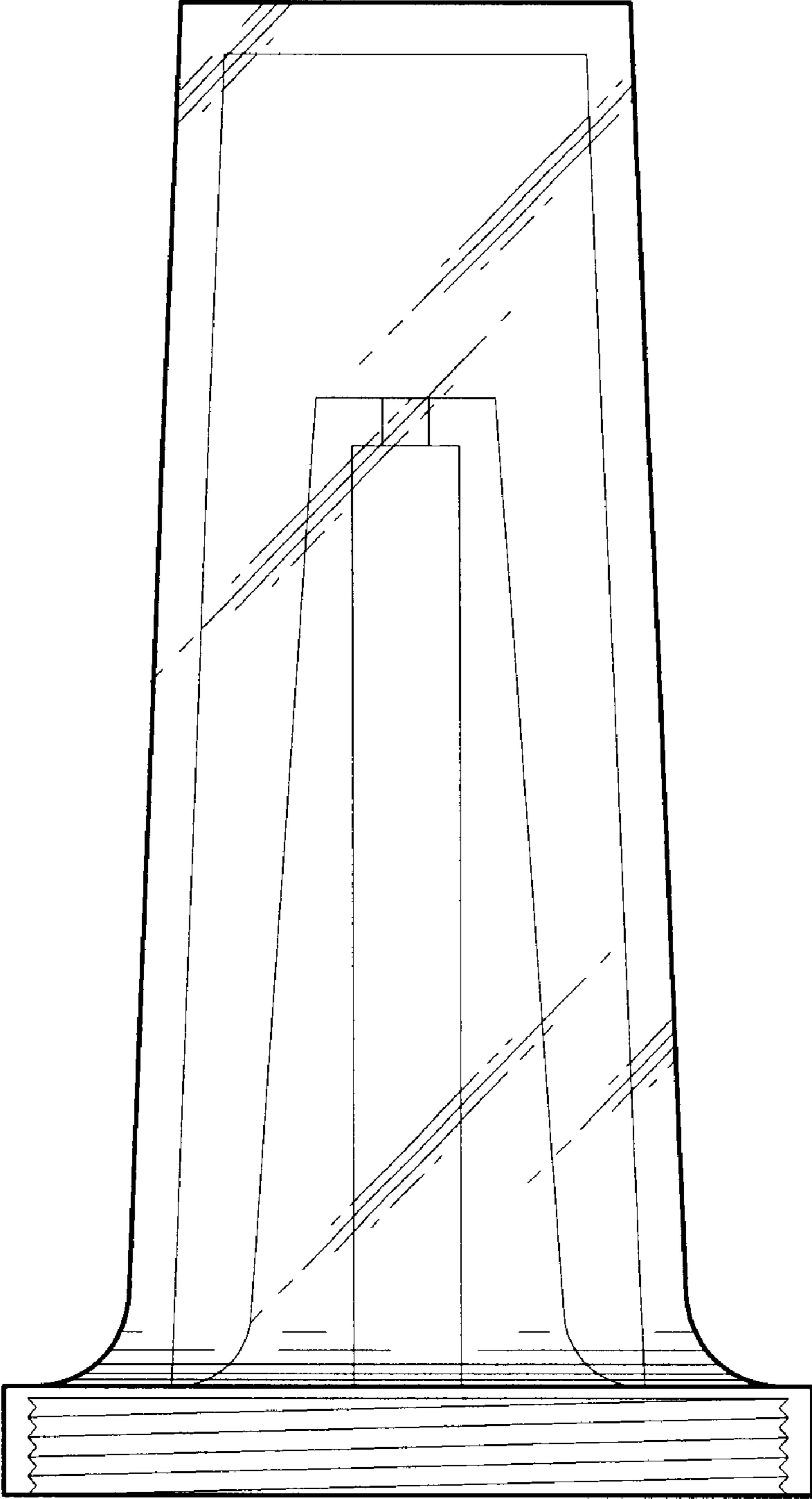


Fig. 1

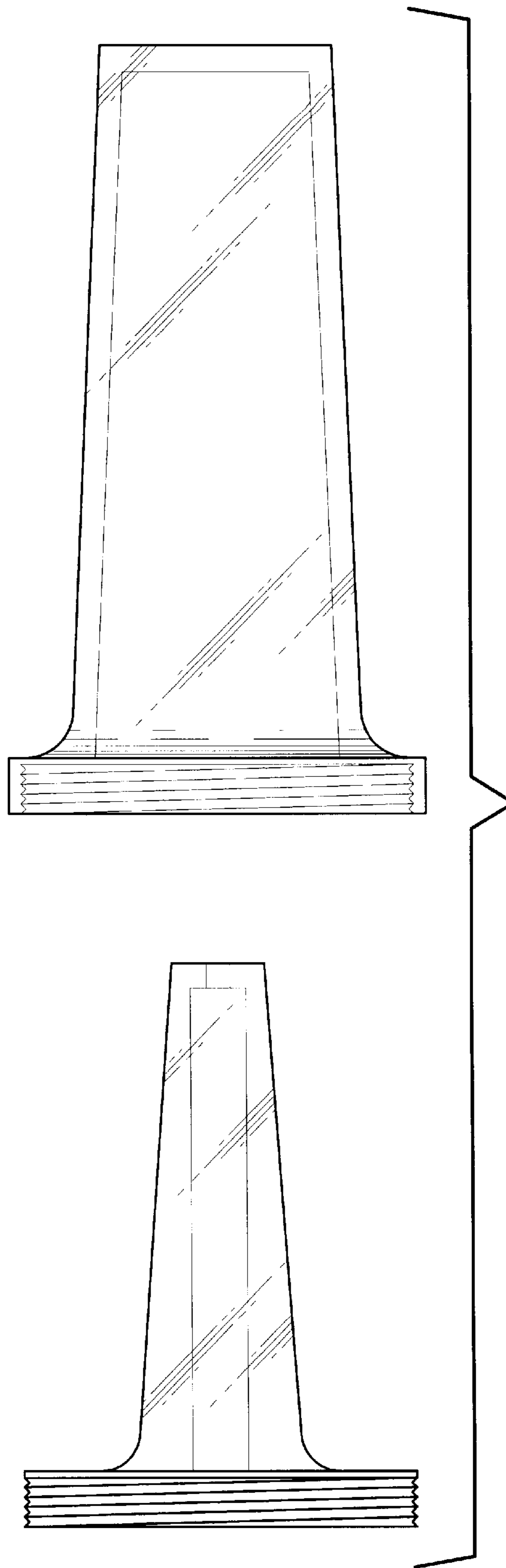


Fig. 2

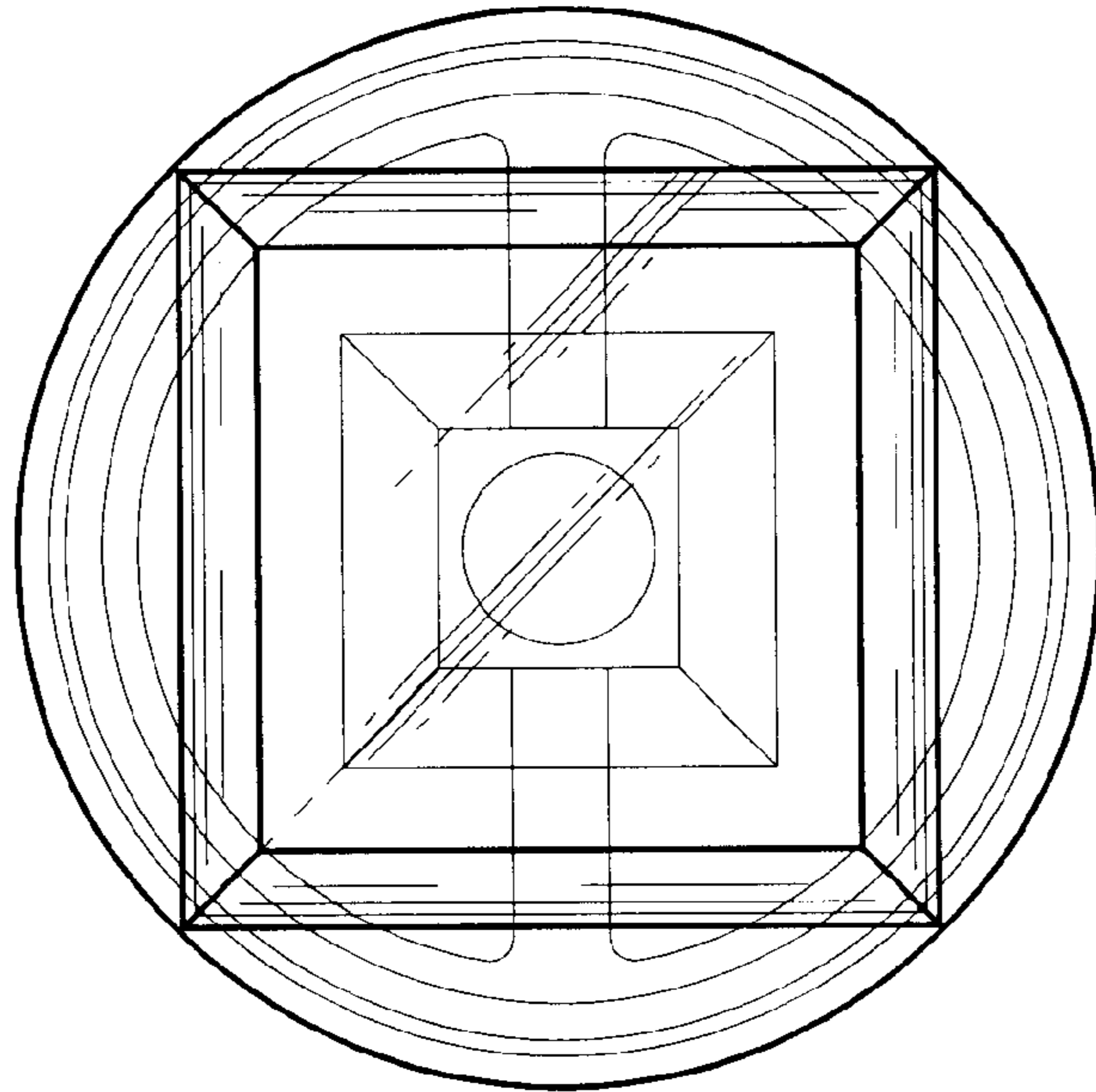


Fig. 3

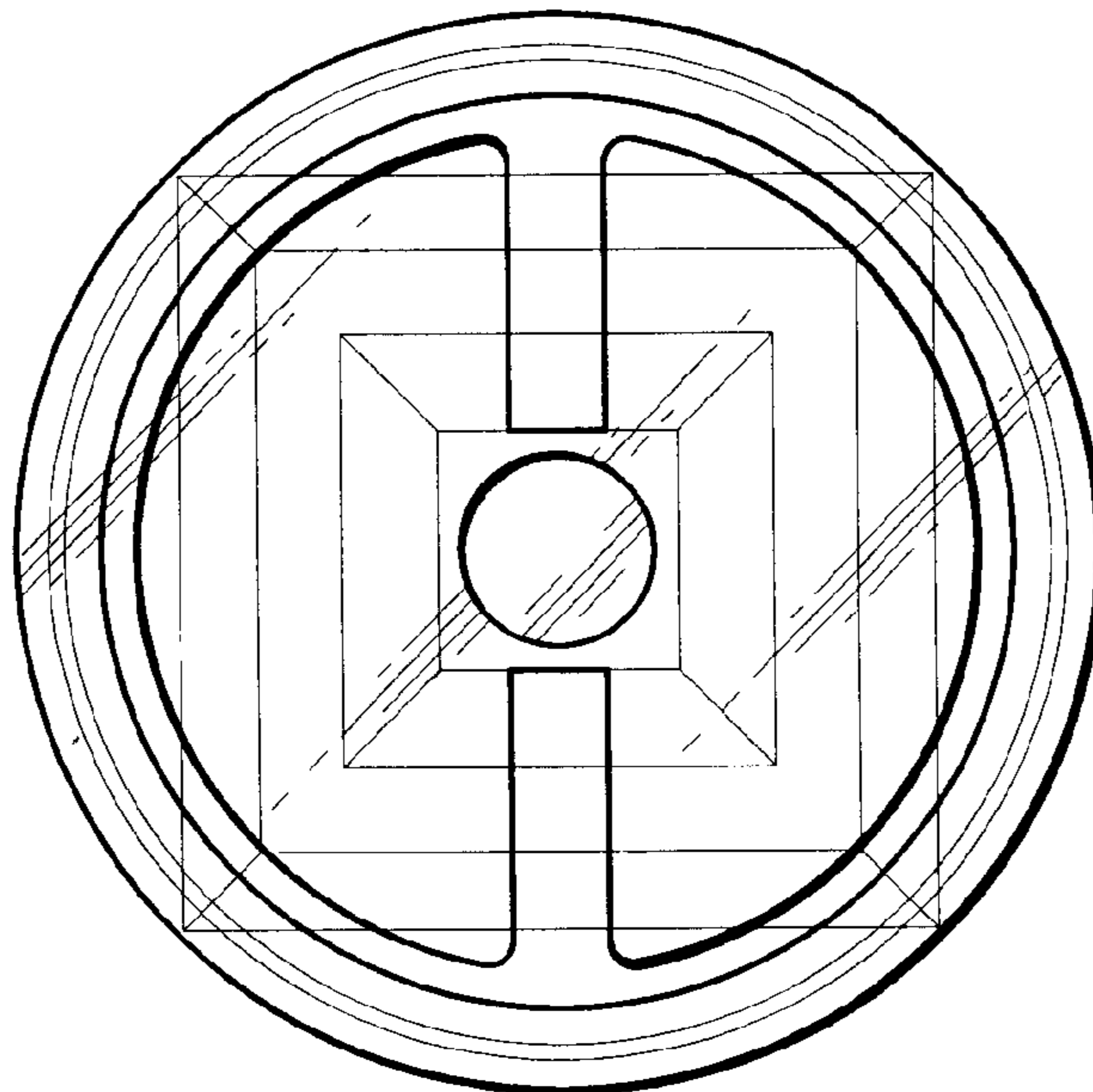


Fig. 4