



US00D510680S

(12) **United States Design Patent**
Johnson

(10) **Patent No.:** **US D510,680 S**
(45) **Date of Patent:** **** Oct. 18, 2005**

(54) **FRAME ASSEMBLY FOR A BARBECUE GRILL**

(75) Inventor: **Mark Johnson**, Cary, IL (US)

(73) Assignee: **Weber-Stephen Products Co.**, Palatine, IL (US)

(**) Term: **14 Years**

(21) Appl. No.: **29/195,697**

(22) Filed: **Dec. 16, 2003**

(51) **LOC (8) Cl.** **07-02**

(52) **U.S. Cl.** **D7/403**

(58) **Field of Search** D7/332, 334-337, D7/402-405; 126/9 R, 9 B, 25 R, 25 A, 25 B, 26, 38, 40, 41 R, 50, 245, 304 R, 305, 693; 99/419, 449; 248/127, 129, 150, 188; 211/135

(56) **References Cited**

U.S. PATENT DOCUMENTS

D435,998 S	*	1/2001	Mak	D7/332
D444,023 S	*	6/2001	Pai	D7/337
D457,030 S	*	5/2002	DeMars	D7/332
D457,776 S	*	5/2002	DeMars	D7/332

D458,506 S	*	6/2002	DeMars	D7/332
6,606,987 B2	*	8/2003	DeMars	126/38
6,739,329 B2	*	5/2004	Wu	126/41 R
2002/0069866 A1	*	6/2002	DeMars	126/38

* cited by examiner

Primary Examiner—Ruth McInroy

(74) *Attorney, Agent, or Firm*—Wallenstein Wagner & Rockey, Ltd.

(57) **CLAIM**

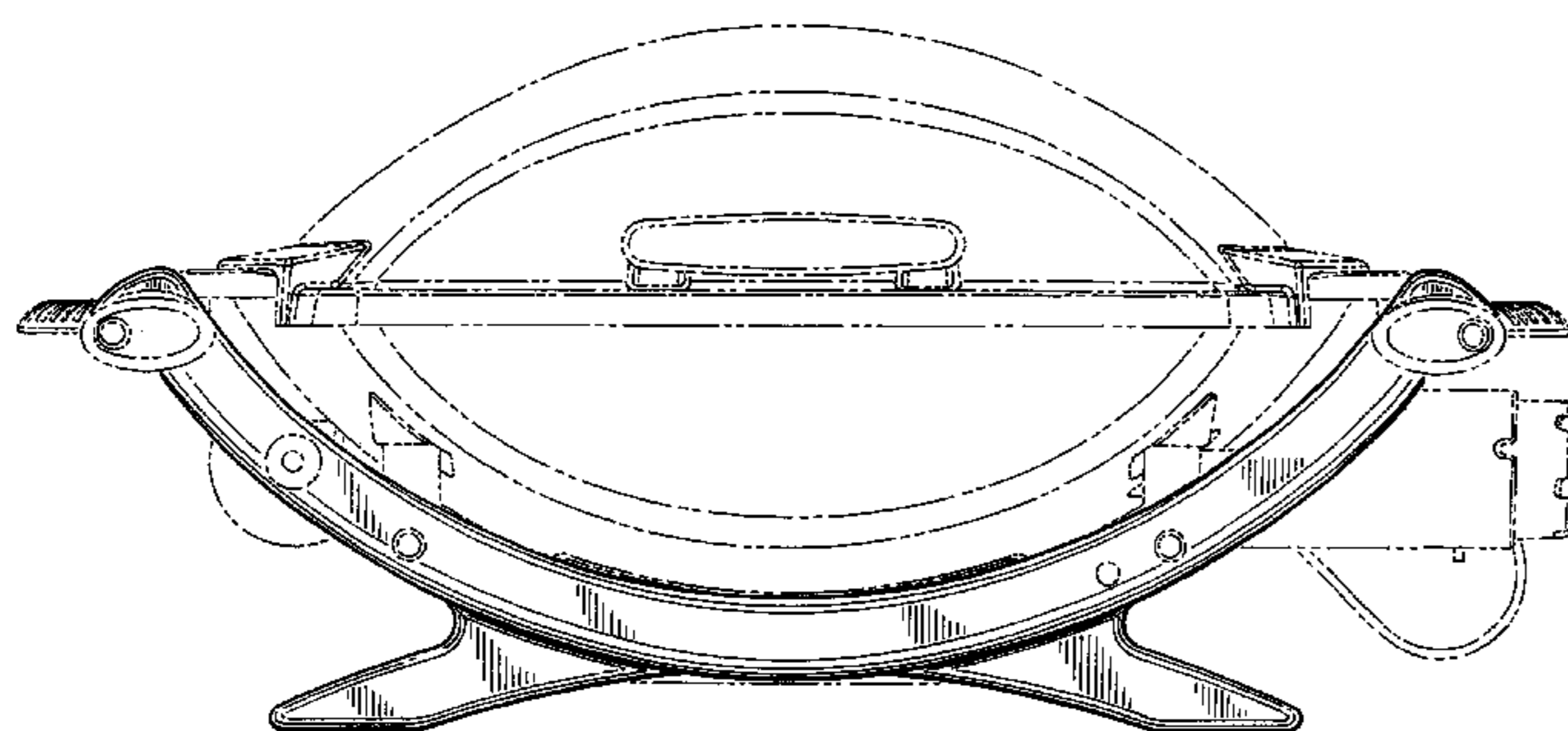
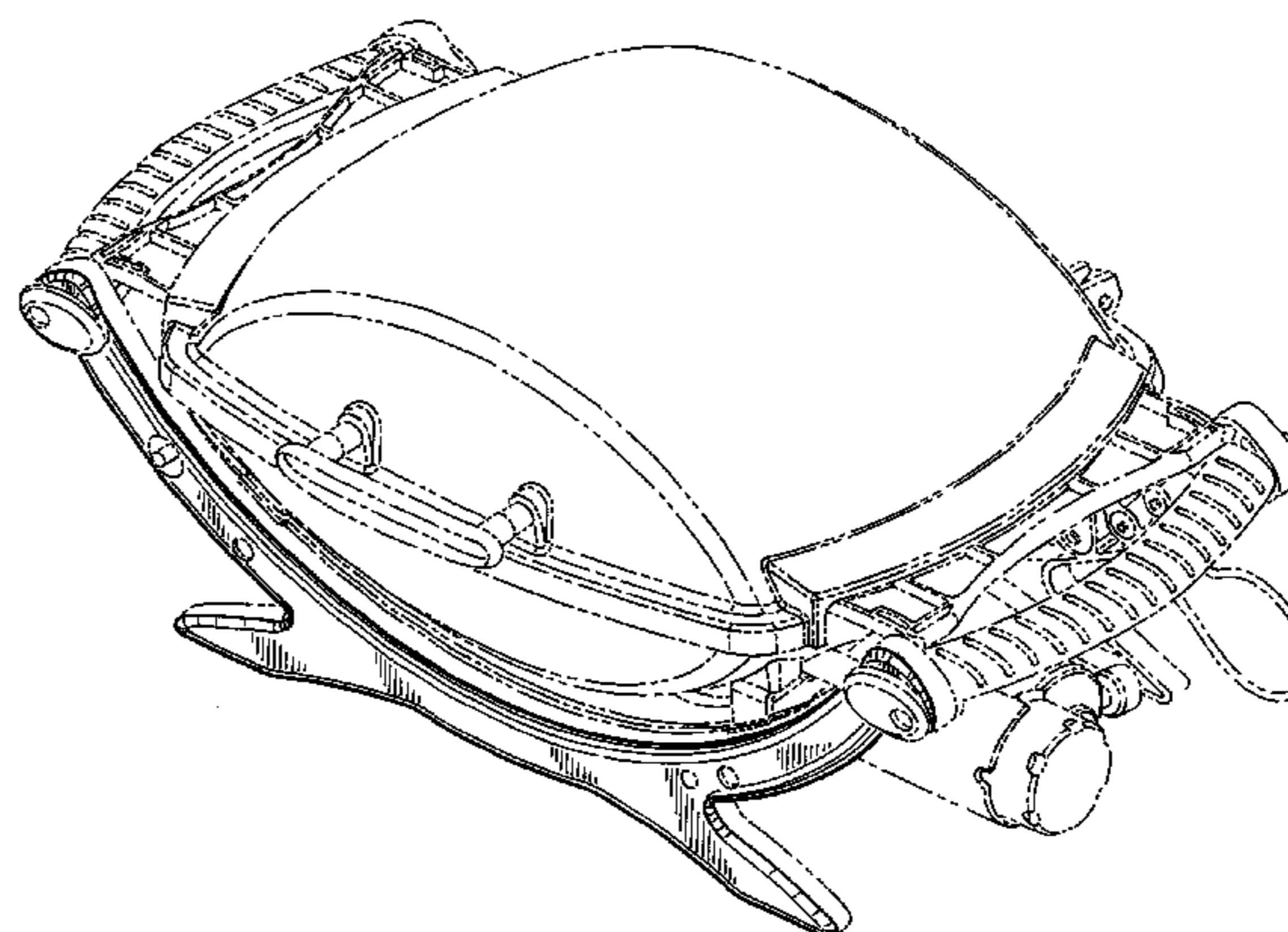
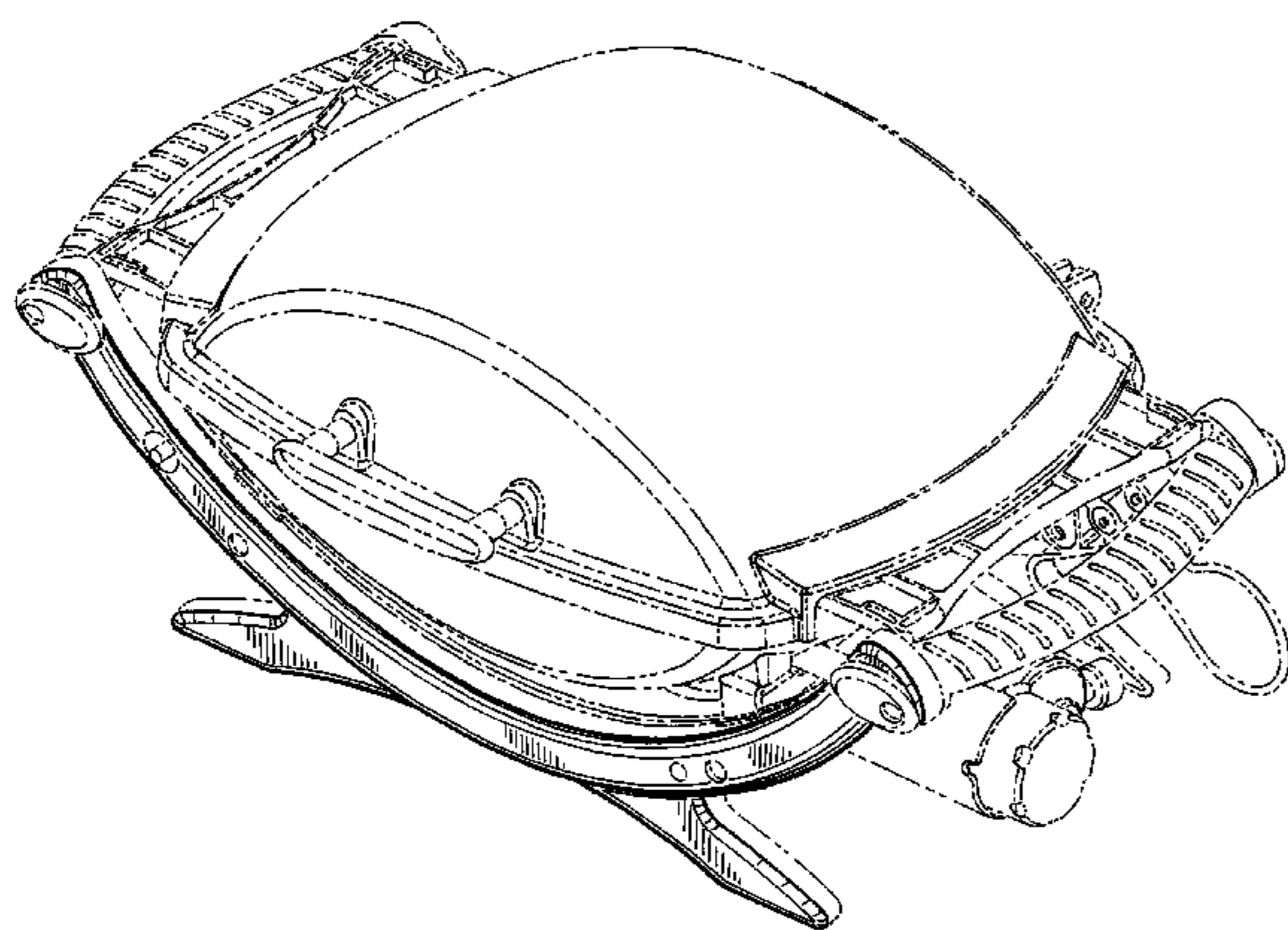
I claim the ornamental design for a frame assembly for a barbecue grill, as shown and described.

DESCRIPTION

FIG. 1 is a perspective view of a frame assembly for a barbecue grill showing my new design; FIG. 2 is a front view thereof; FIG. 3 is a top view thereof; FIG. 4 is a side view thereof; FIG. 5 is a bottom view of a second embodiment thereof; FIG. 6 is a perspective view of FIG. 5; and, FIG. 7 is a front view of FIG. 6.

The details shown in broken lines form no part of the claimed design.

1 Claim, 7 Drawing Sheets



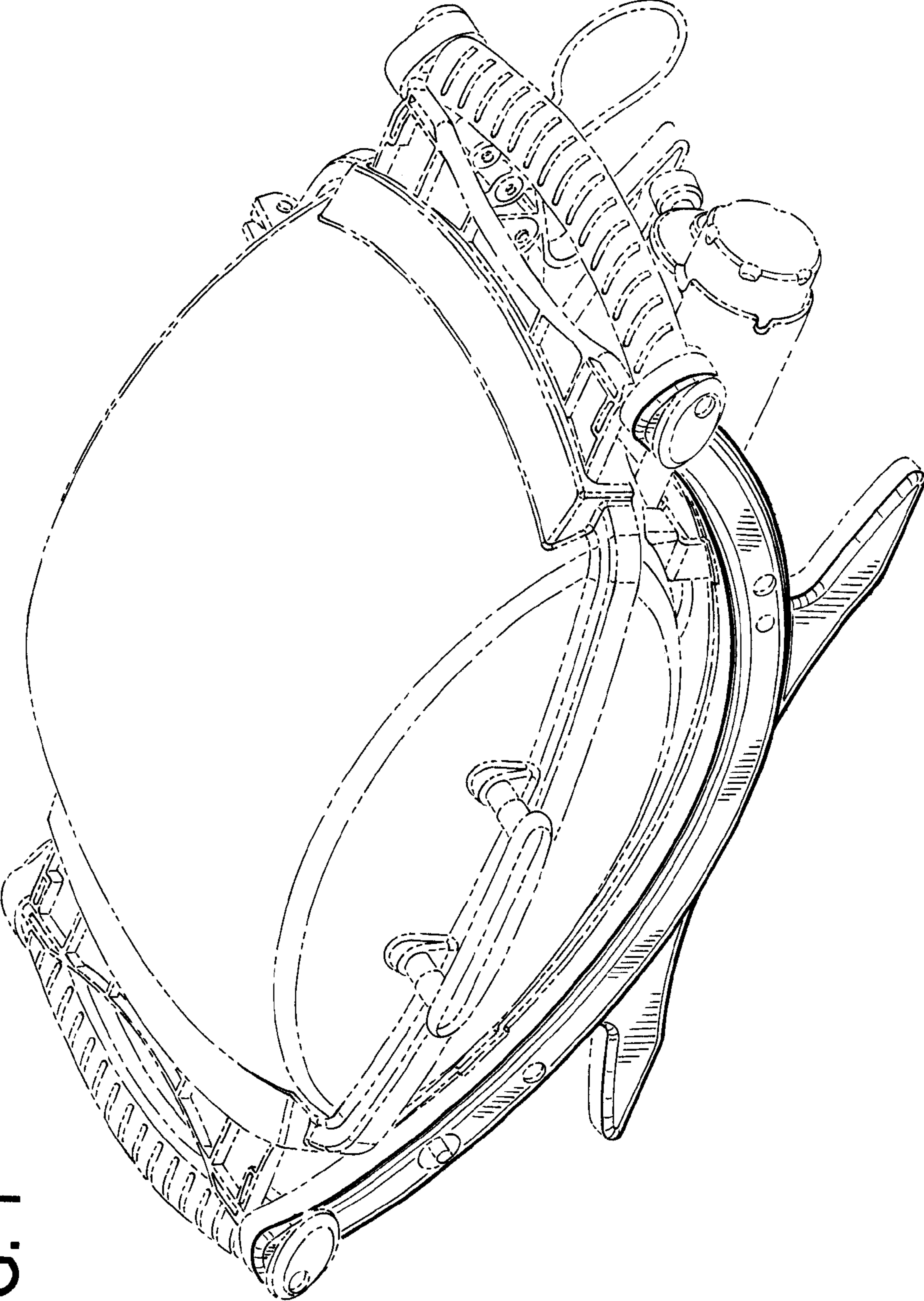
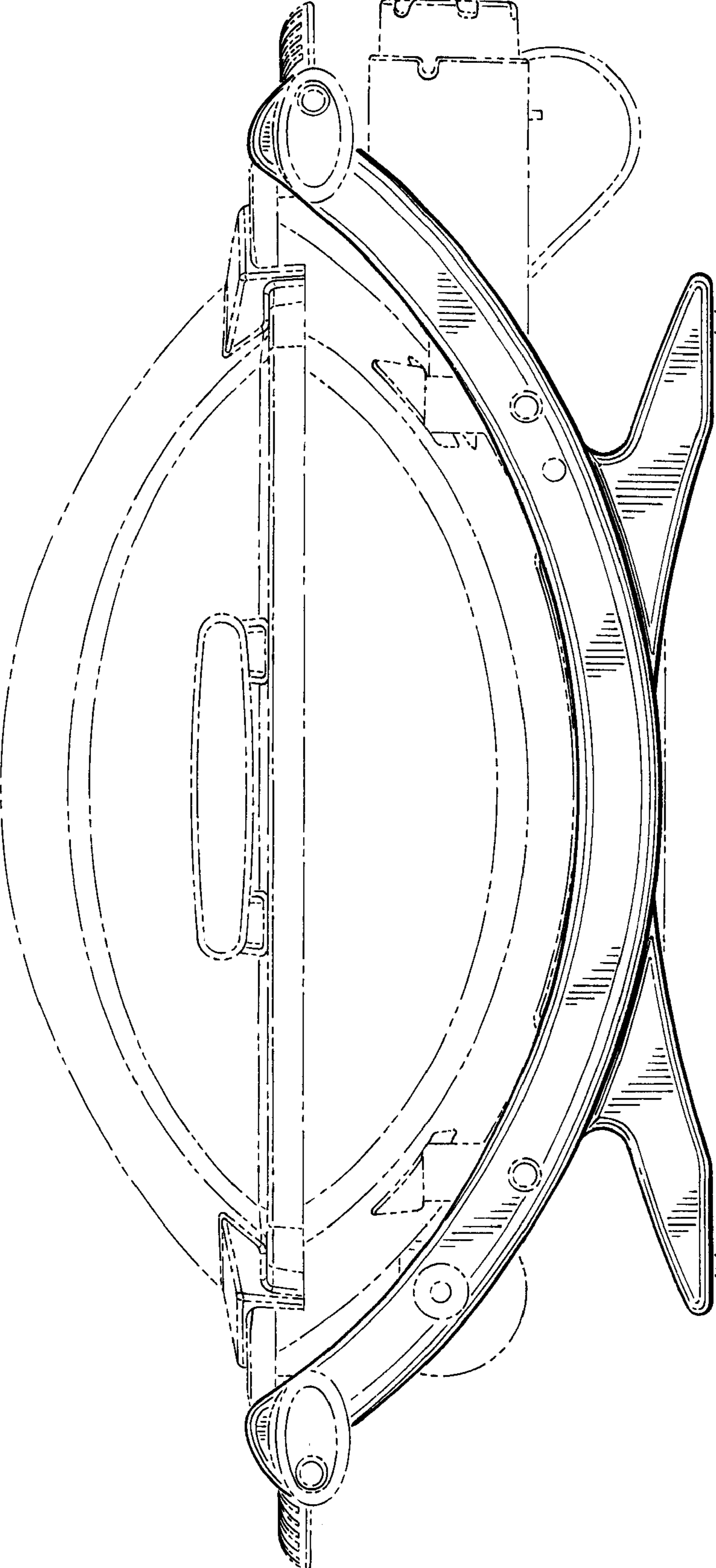


FIG. 1

FIG. 2



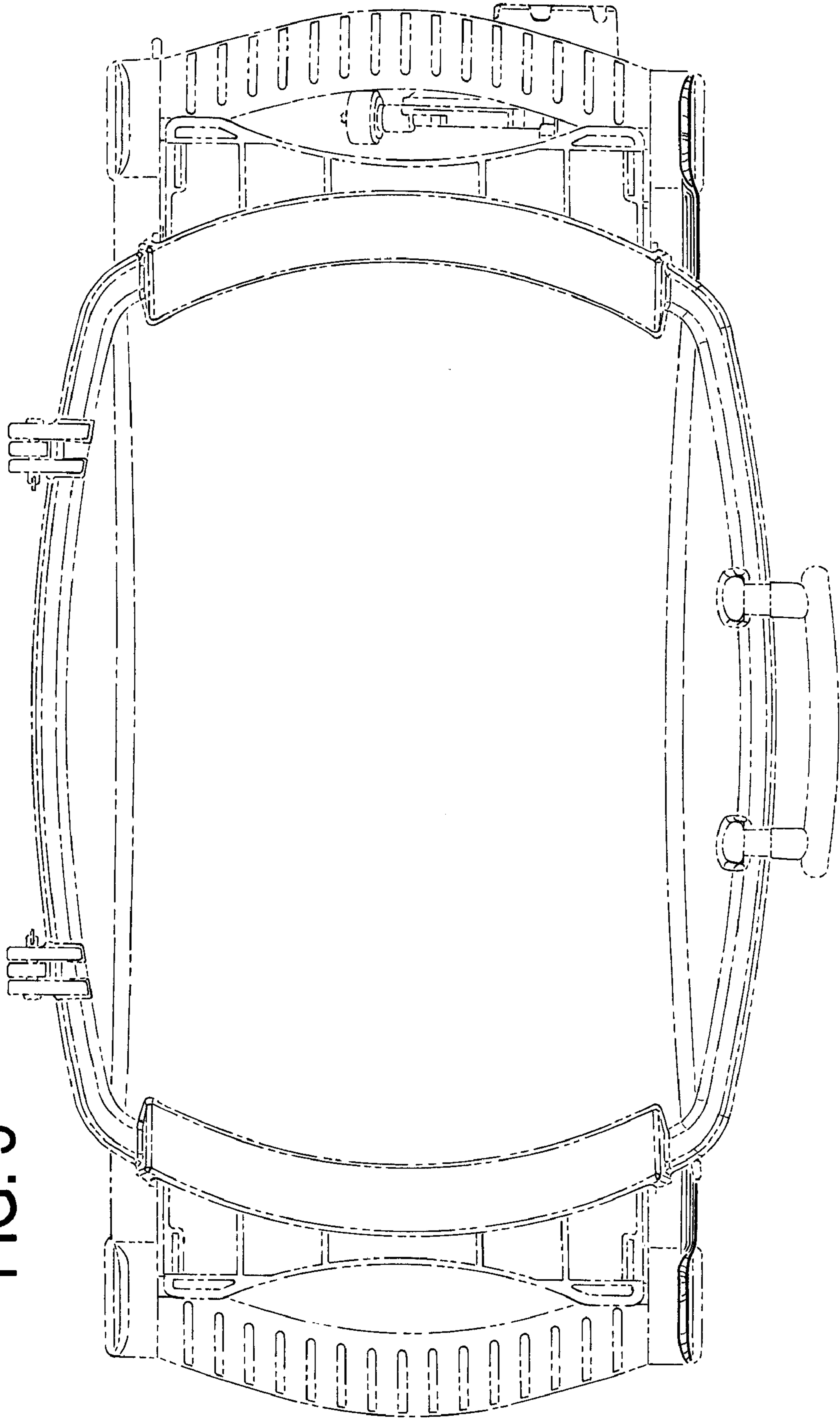


FIG. 3

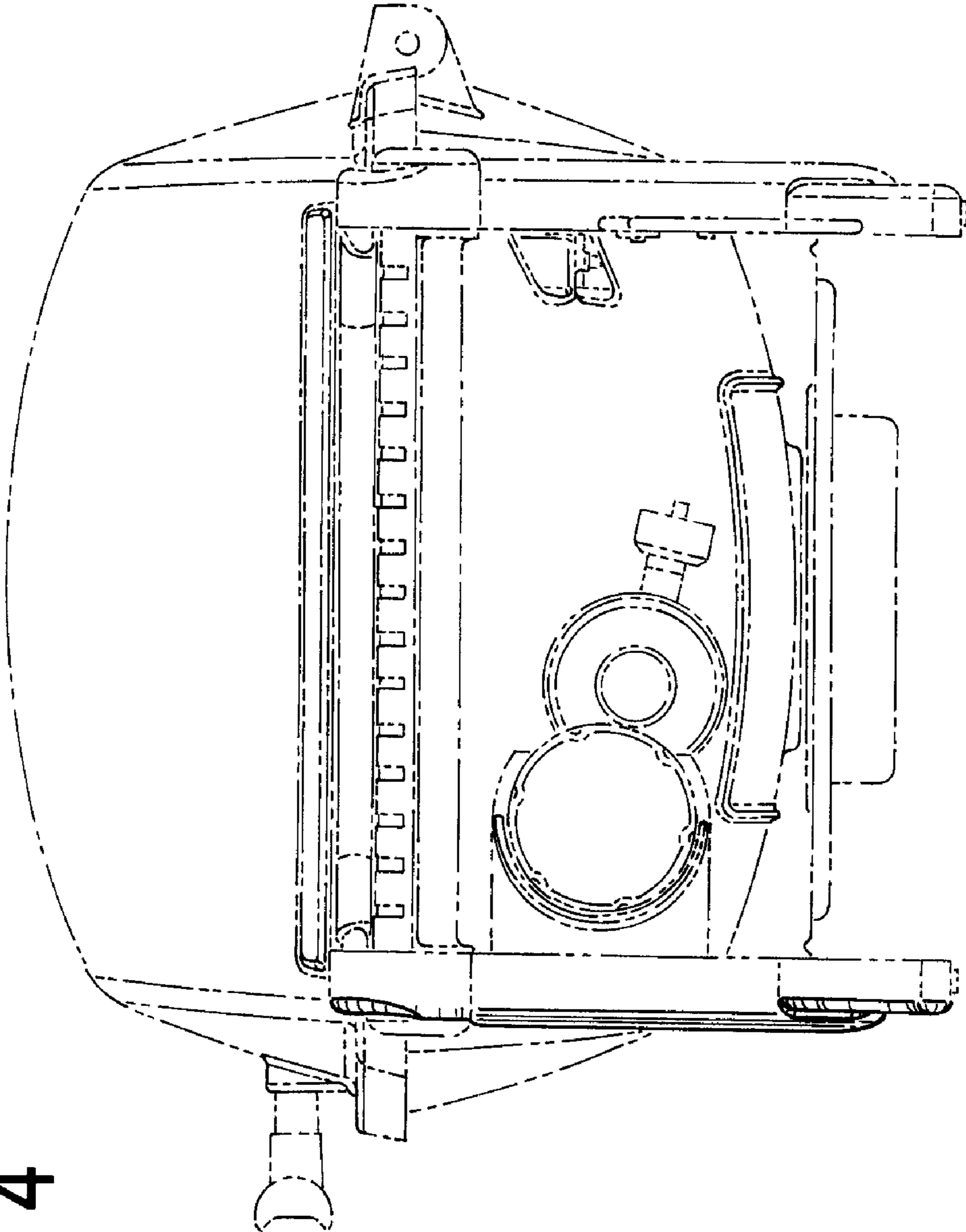
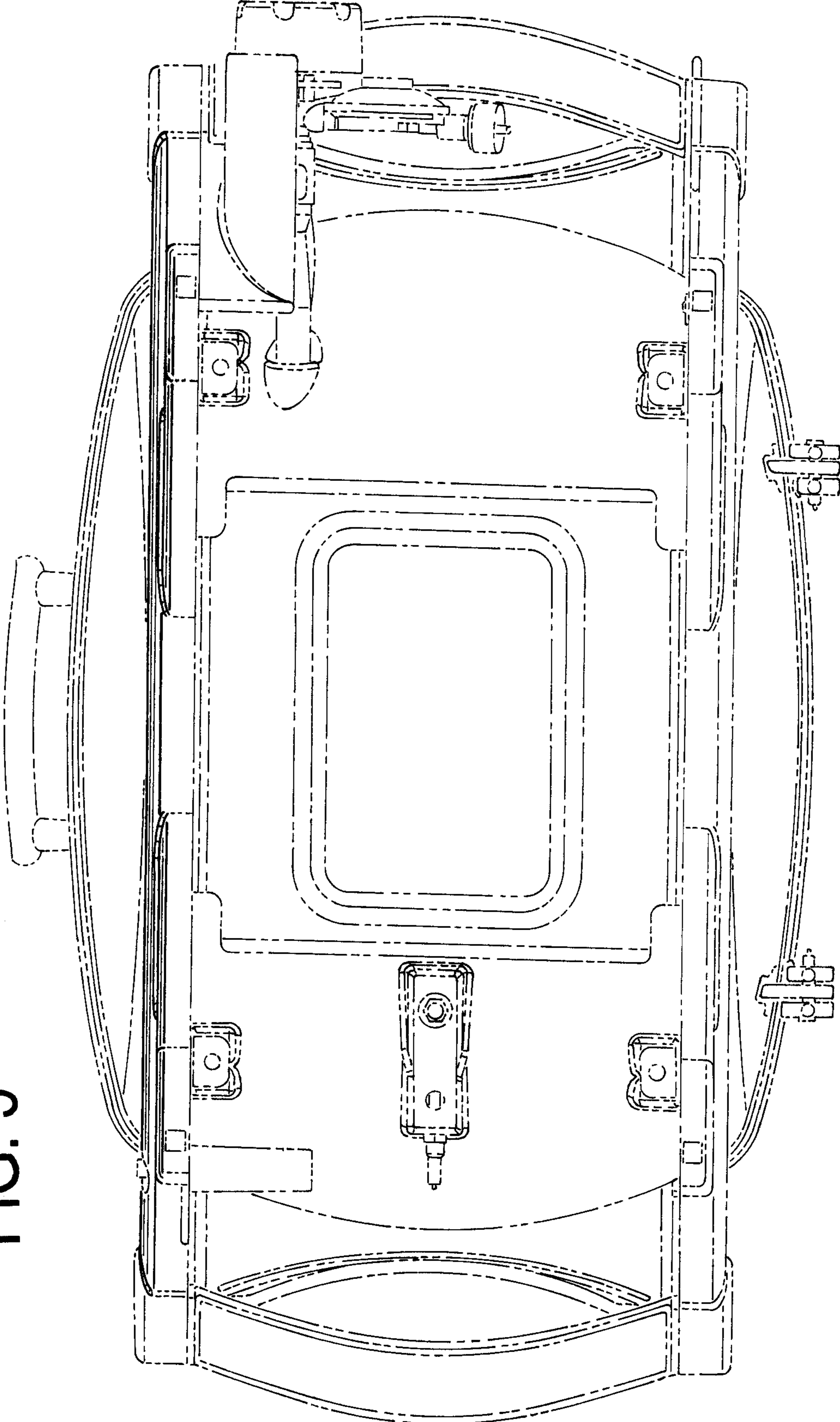


FIG. 4

FIG. 5



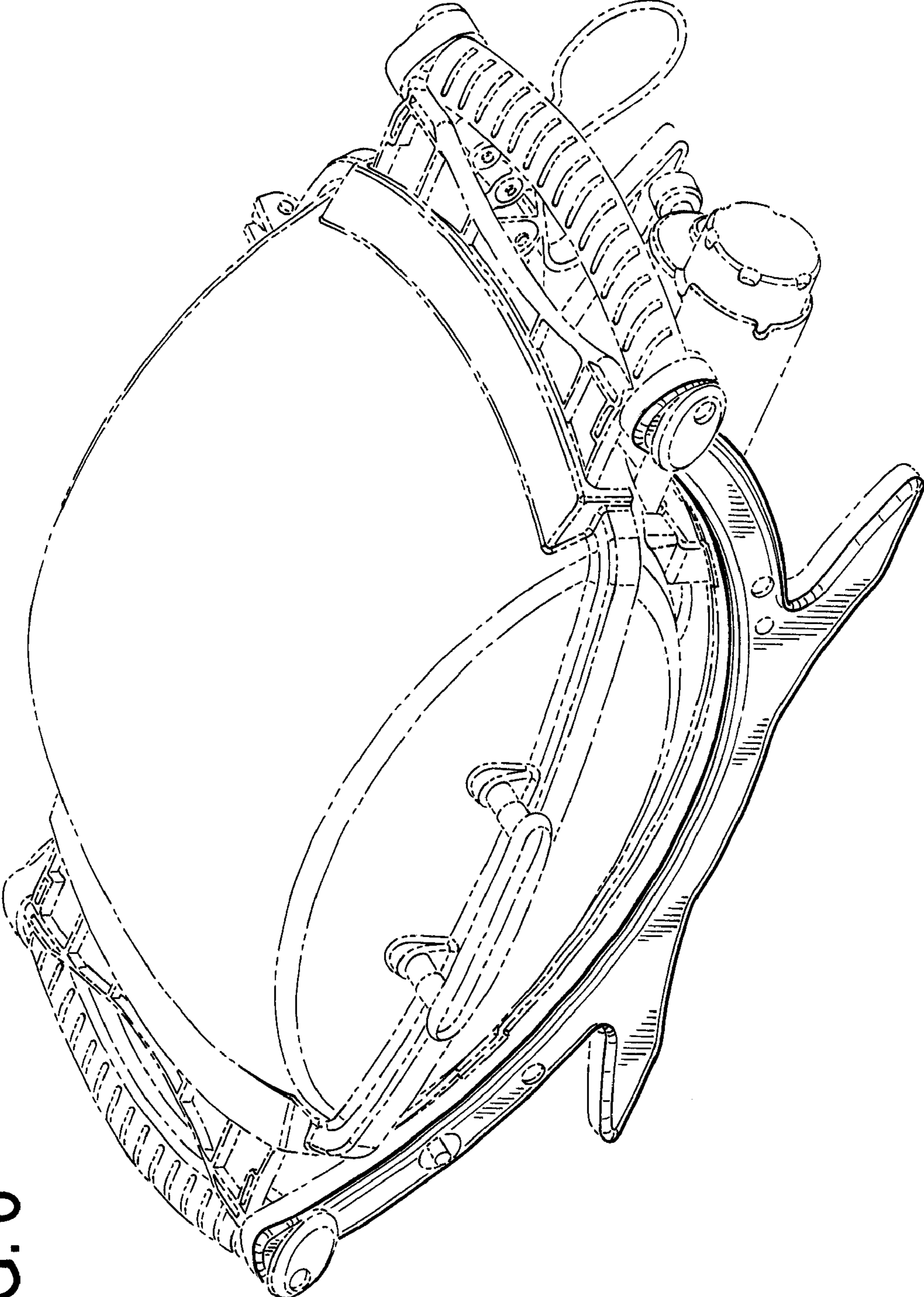
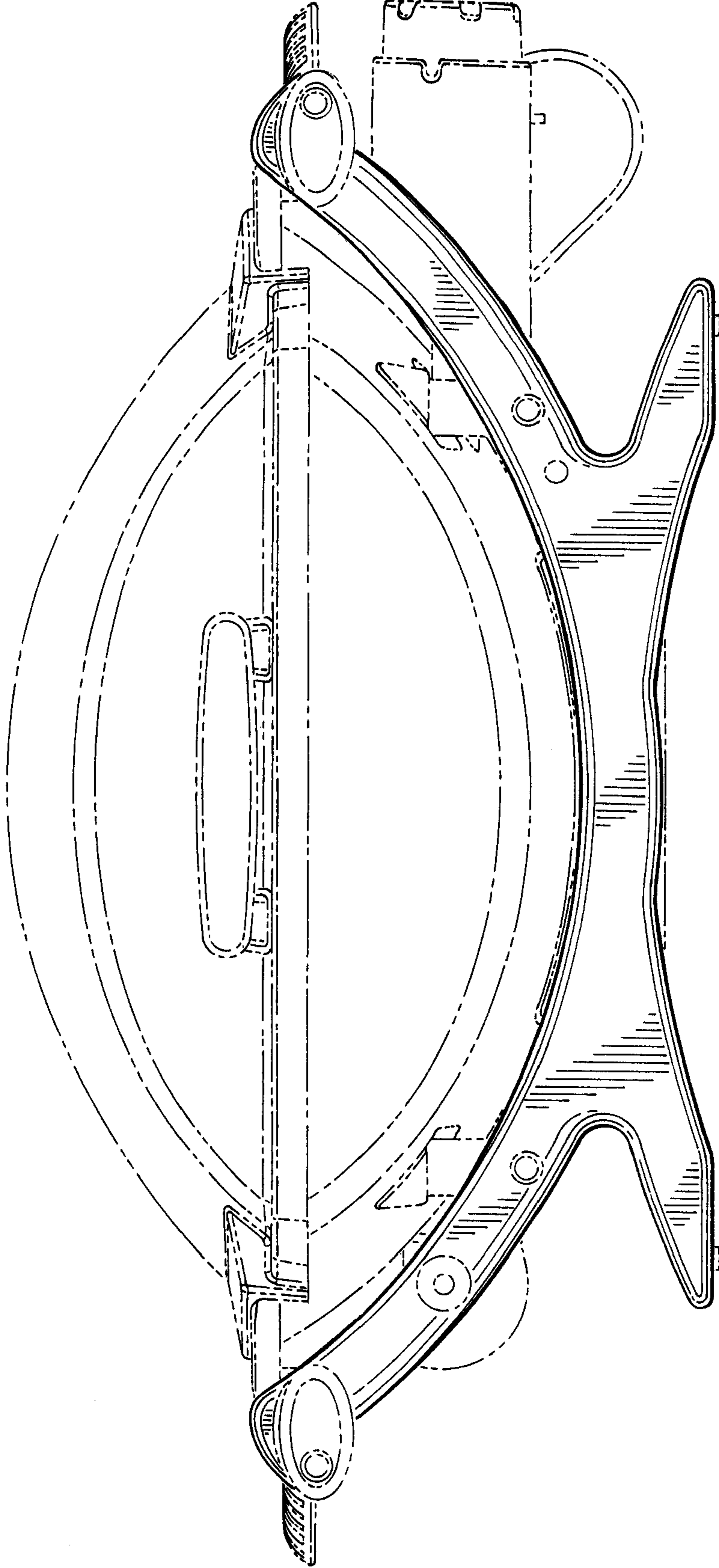


FIG. 6

FIG. 7



UNITED STATES PATENT AND TRADEMARK OFFICE
Certificate

Patent No. D510,680 S

Patented: October 18, 2005

On petition requesting issuance of a certificate for correction of inventorship pursuant to 35 U.S.C. 256, it has been found that the above identified patent, through error and without any deceptive intent, improperly sets forth the inventorship.

Accordingly, it is hereby certified that the correct inventorship of this patent is: Mark Johnson, Cary, IL (US); and Robert A. DeMars, La Quinta, CA (US).

Signed and Sealed this Seventh Day of May 2013.

PHILIP S. HYDER
Supervisory Patent Examiner
Art Unit 2917
Technology Center 2900