



US00D510679S

(12) **United States Design Patent** (10) **Patent No.:** **US D510,679 S**
Smith et al. (45) **Date of Patent:** **** Oct. 18, 2005**

(54) **SIDEWALL FOR DISPOSABLE CUP**

3,131,845 A 5/1964 Sherlock et al.
3,139,213 A 6/1964 Edwards
D199,336 S 10/1964 Wanderer
D199,579 S * 11/1964 Davis D7/530

(75) Inventors: **Stephan Alan Smith**, Naperville, IL (US); **Kevin Ray Smith**, Round Lake Beach, IL (US)

(Continued)

(73) Assignee: **Solo Cup Company**, Highland Park, IL (US)

FOREIGN PATENT DOCUMENTS

(**) **Term:** **14 Years**

DE	1 175 564	8/1964
DE	1 216 139	5/1966
DE	44 19 161 A1	12/1995
DE	298 02 377 U1	6/1998
EP	0 371 918	6/1990
FR	2.207.836	6/1974
GB	395996	7/1933
GB	1096451	12/1967
GB	1 251 595	10/1971
GB	1 461 394	1/1977
GB	2 352 612 A	7/2001

(21) Appl. No.: **29/217,997**

(22) Filed: **Nov. 23, 2004**

Related U.S. Application Data

(60) Division of application No. 29/194,902, filed on Dec. 3, 2003, which is a continuation-in-part of application No. 10/676,807, filed on Oct. 1, 2003.

OTHER PUBLICATIONS

(51) **LOC (8) Cl.** **07-01**

Communication from the European Patent Office transmitting an International Search Report, mailed Nov. 19, 2004, for International Application No. PCT/US2004/009357.

(52) **U.S. Cl.** **D7/396.2; D7/531**

(58) **Field of Search** D7/532, 531, 523, D7/507, 509, 392.1, 396.1, 396.2, 629, 615, 530; D9/429, 556, 557; 222/129, 465.1; 426/394, 86; 428/36.4; 206/520, 519, 217, 514; 366/341; 215/373, 384; 220/705, 676, 738, 671, 675, 669, 694, 735; 229/403, 400, 402, 401; 53/426; D11/152

Primary Examiner—M. N. Pandozzi
(74) *Attorney, Agent, or Firm*—Wallenstein Wagner & Rockey, Ltd.

(57) **CLAIM**

We claim the ornamental Design for a sidewall for disposable cup, as shown and described.

(56) **References Cited**

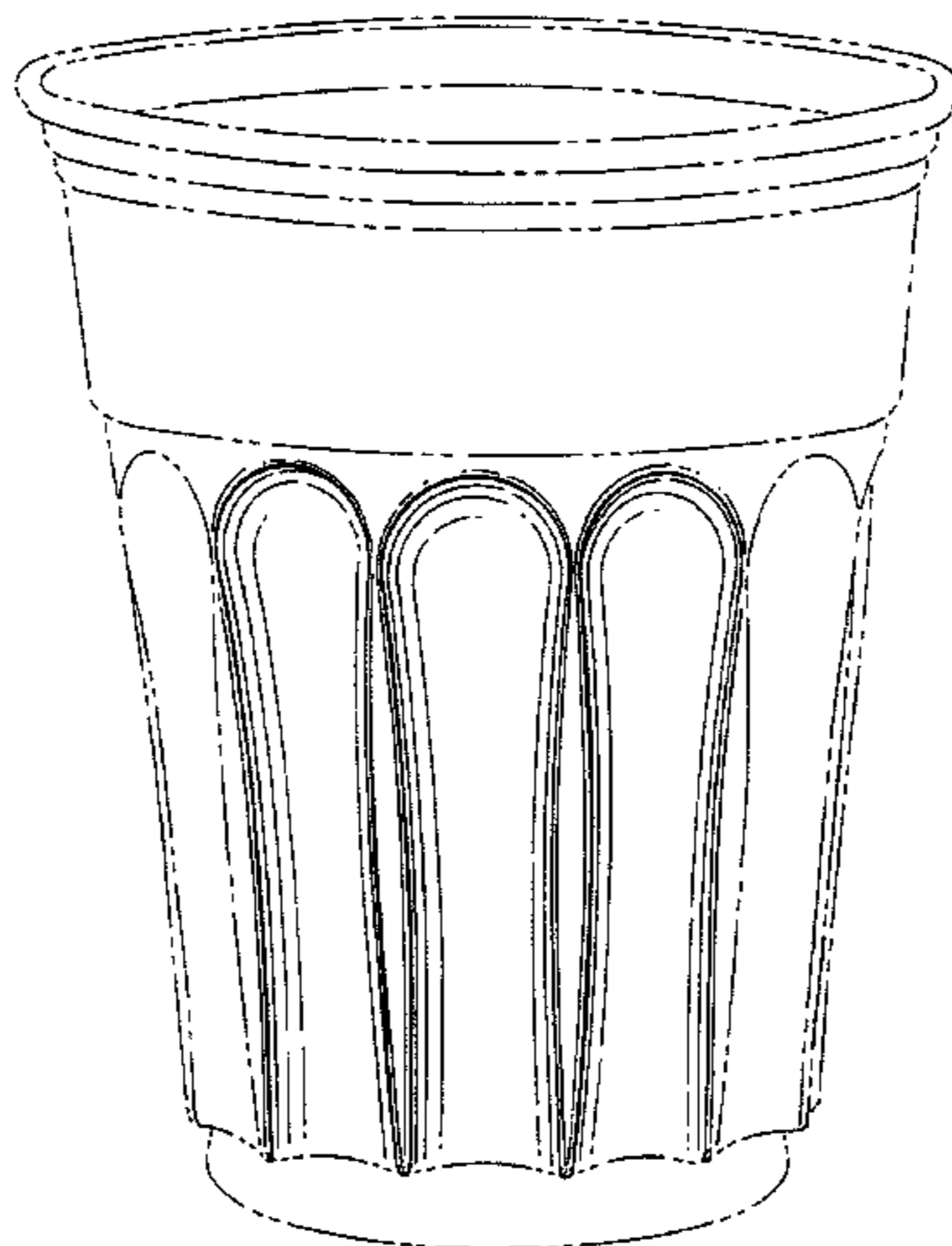
U.S. PATENT DOCUMENTS

703,125 A	6/1902	Emrich	
1,636,174 A	7/1927	Dolan et al.	
2,013,243 A	9/1935	Landon	
2,629,534 A	2/1953	Reynolds	
2,745,586 A	5/1956	Thoma	
2,905,350 A	9/1959	Edwards	
3,009,603 A	11/1961	Stockdale	
3,085,730 A	4/1963	Fibish	
3,091,360 A	5/1963	Edwards	
D197,313 S	* 1/1964	Wanderer D9/429
3,126,139 A	3/1964	Schechter	
D198,139 S	5/1964	Edwards	

DESCRIPTION

FIG. 1 is a perspective view of a sidewall for disposable cup; FIG. 2 is a front elevation view of the cup of FIG. 1; FIG. 3 is a rear elevation view of the cup of FIG. 1; FIG. 4 is a bottom plan view of the cup of FIG. 1; and, FIG. 5 is a front elevational view thereof where the cup portion is broken away for ease of illustration. Broken lines in the Figures form no part of the claimed design.

1 Claim, 3 Drawing Sheets



US D510,679 S

Page 2

U.S. PATENT DOCUMENTS

3,288,340 A	11/1966	Shapiro et al.	5,082,135 A	1/1992	DeCoster
3,342,370 A	9/1967	Johnson	D325,181 S *	4/1992	Lee D11/152
D208,872 S	10/1967	Davis	D328,014 S	7/1992	DeCoster et al.
D210,767 S	4/1968	Anglada	D346,308 S	4/1994	Cautereels et al.
3,375,954 A	4/1968	Honkanen et al.	D356,265 S *	3/1995	Moloney et al. D9/556
D211,514 S	6/1968	Amberg	5,415,339 A	5/1995	Howard
3,397,867 A	8/1968	van't Hoff	5,423,160 A	6/1995	Rosén
D213,094 S *	1/1969	Davis D7/531	D368,234 S	3/1996	Dickinson et al.
D213,173 S	1/1969	Lockhart et al.	5,634,569 A	6/1997	DeCoster
D213,174 S *	1/1969	Davis D7/531	5,678,726 A	10/1997	Porteous
3,437,253 A	4/1969	Davis et al.	D387,619 S	12/1997	Gross et al.
D220,031 S	3/1971	Donovan	D399,099 S	10/1998	Cousins
D223,999 S	6/1972	Klose	D410,174 S	5/1999	Sheu
D228,125 S	8/1973	Weiss	D413,067 S	8/1999	Haley
3,951,266 A	4/1976	Brewer	D416,757 S	11/1999	Ginuntoli
4,049,187 A	9/1977	Florian	6,109,518 A	8/2000	Mueller et al.
4,052,037 A	10/1977	Mair et al.	D436,295 S	1/2001	Furman et al.
4,061,782 A	12/1977	Baxter	D441,252 S	5/2001	Gitschlag
4,102,454 A	7/1978	Karevaara	D443,475 S	6/2001	Miura
4,134,492 A	1/1979	Lucas	D444,672 S	7/2001	Miura
4,245,685 A	1/1981	Nemitz et al.	6,264,068 B1	7/2001	Ours et al.
D264,686 S *	6/1982	Davis D9/429	D446,684 S	8/2001	Price
4,420,081 A	12/1983	Dart	D446,687 S	8/2001	Furman et al.
D272,794 S	2/1984	Dart	D448,976 S	10/2001	McDonough et al.
4,548,348 A	10/1985	Clements	D457,099 S *	5/2002	Lai D11/152
4,578,296 A	3/1986	Mykazaki et al.	6,554,154 B1	4/2003	Chauhan et al.
D285,032 S	8/1986	Alonzo	2003/0157224 A1	8/2003	Westserhof et al.
D298,303 S *	11/1988	Lee D11/152	2004/0045974 A1 *	3/2004	Gruber et al. 220/669

* cited by examiner

FIG. 1

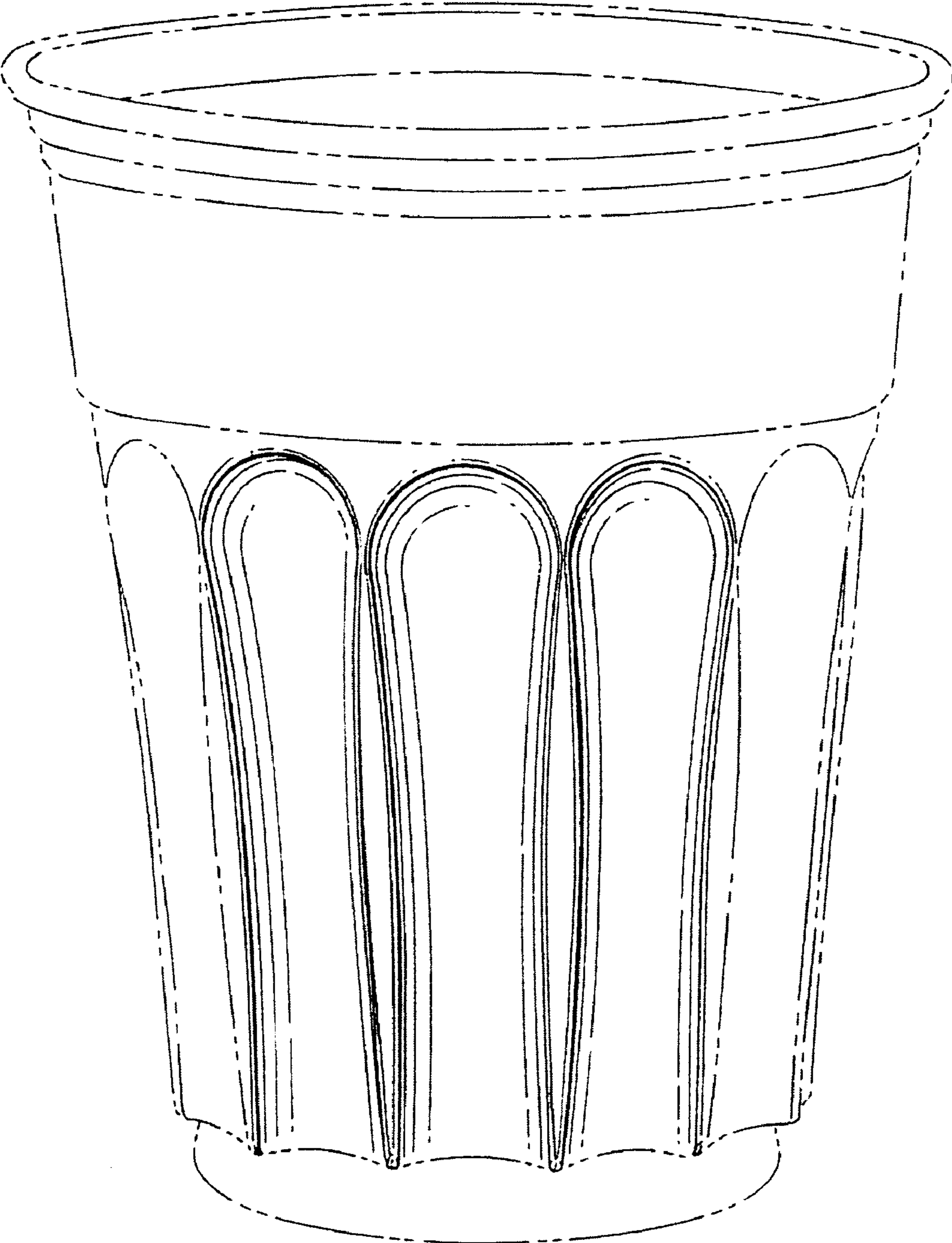


FIG. 3

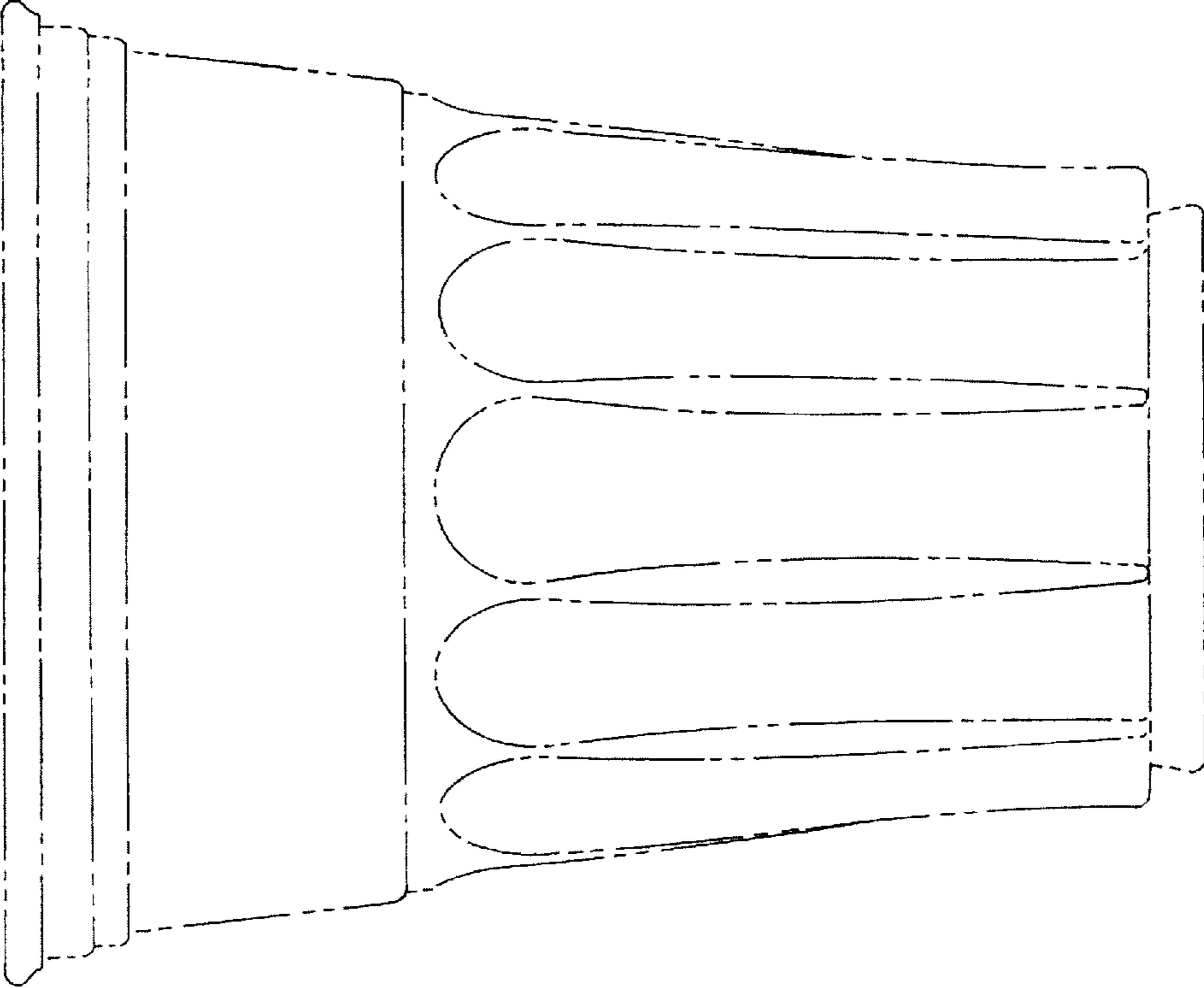


FIG. 2

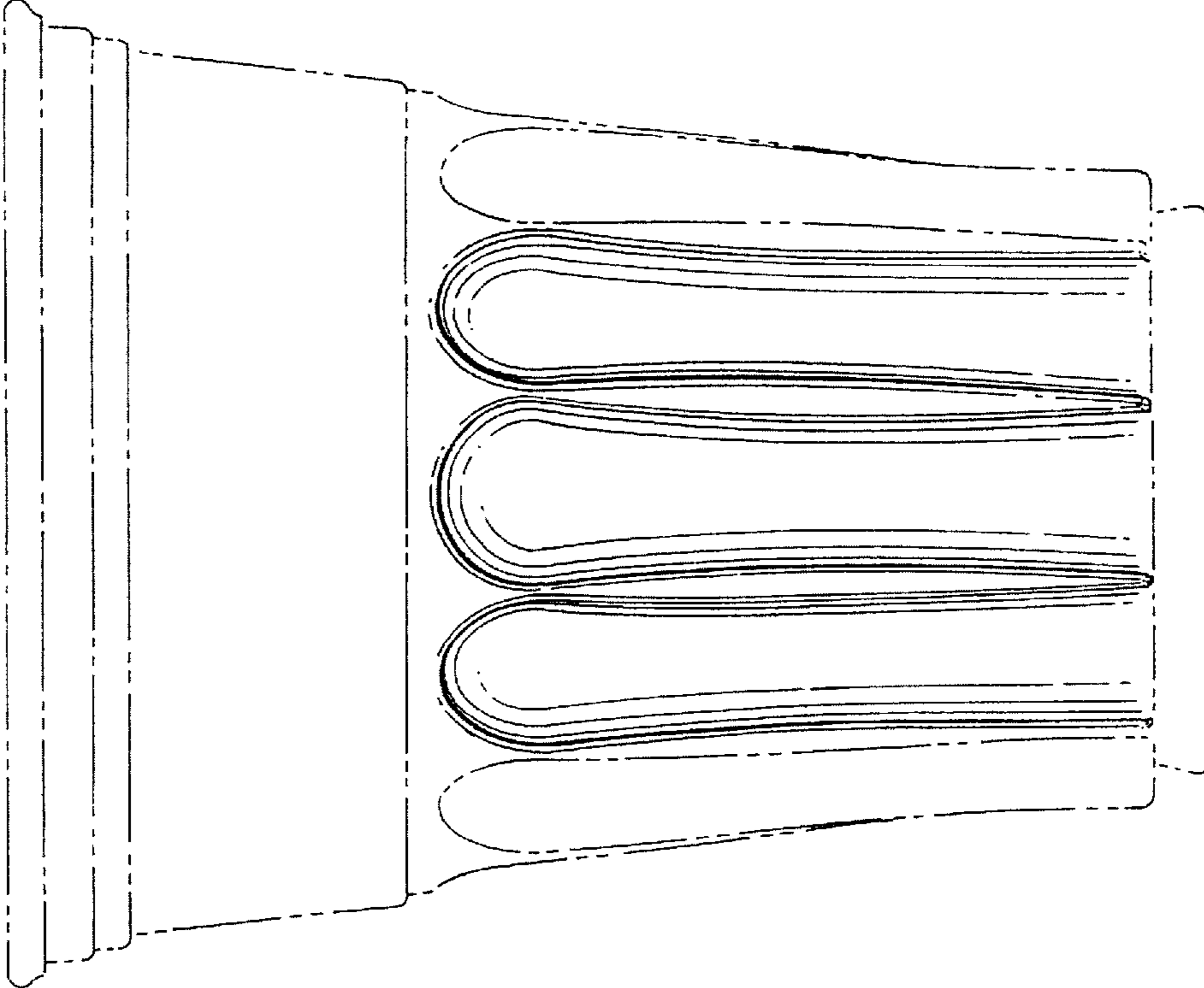


FIG. 4

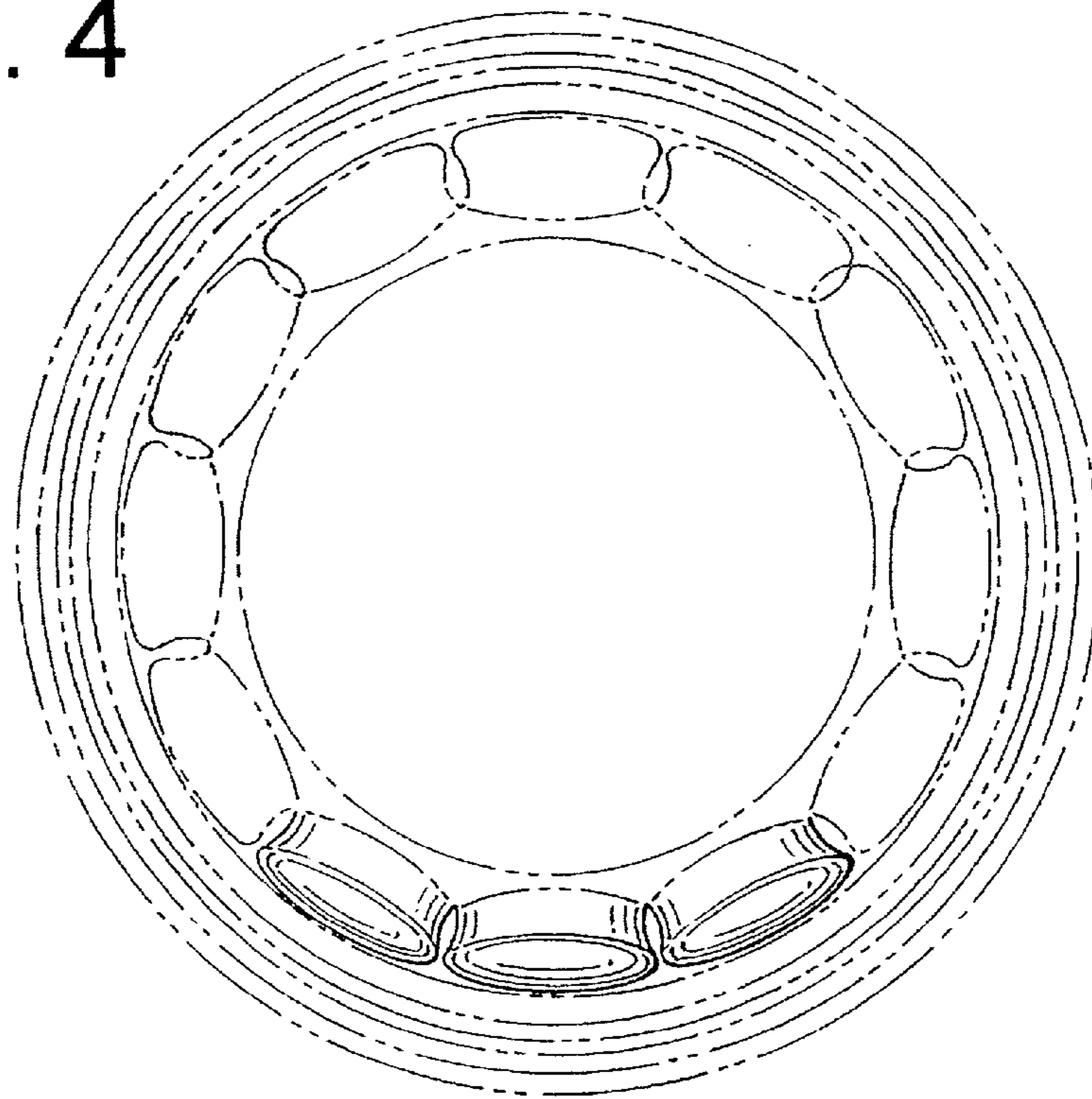


FIG. 5

