

US00D510678S

(12) **United States Design Patent**
Krasne et al.

(10) **Patent No.:** **US D510,678 S**
(45) **Date of Patent:** **** Oct. 18, 2005**

(54) **COMBINATION MIXING AND DRINKING VESSEL**

D487,668 S * 3/2004 Sands D7/378
D490,272 S * 5/2004 Rohe D7/510
D495,186 S * 8/2004 Poupel et al. D7/300.1

(75) Inventors: **Mark T. Krasne**, Kansas City, MO (US); **Duane Smith**, Shawnee, KS (US); **William S. Endres**, Leawood, KS (US); **Jimmy Yung**, Tai Po (HK)

* cited by examiner

Primary Examiner—Caron D. Veynar
(74) *Attorney, Agent, or Firm*—Hovey Williams LLP

(73) Assignee: **Select Brands, Inc.**, Lenexa, KS (US)

(57) **CLAIM**

(**) Term: **14 Years**

The ornamental design for a combination mixing and drinking vessel, as shown and described.

(21) Appl. No.: **29/199,082**

DESCRIPTION

(22) Filed: **Feb. 9, 2004**

(51) **LOC (8) Cl.** **31-00**

(52) **U.S. Cl.** **D7/376; D7/509**

(58) **Field of Search** D7/376–386, 412, D7/413, 509–511, 300.1; 99/509–511; 241/30, 33, 37.5, 101.01–101.2, 166–169.1, 274–278.2, 282.1, 282.2, 285.1–285.3, 291, 292.1, 301; 366/64–67, 98, 100, 129, 130, 197–201, 205–207, 219–221, 241–254, 279–292, 325.94, 330.4, 341–343; 426/565

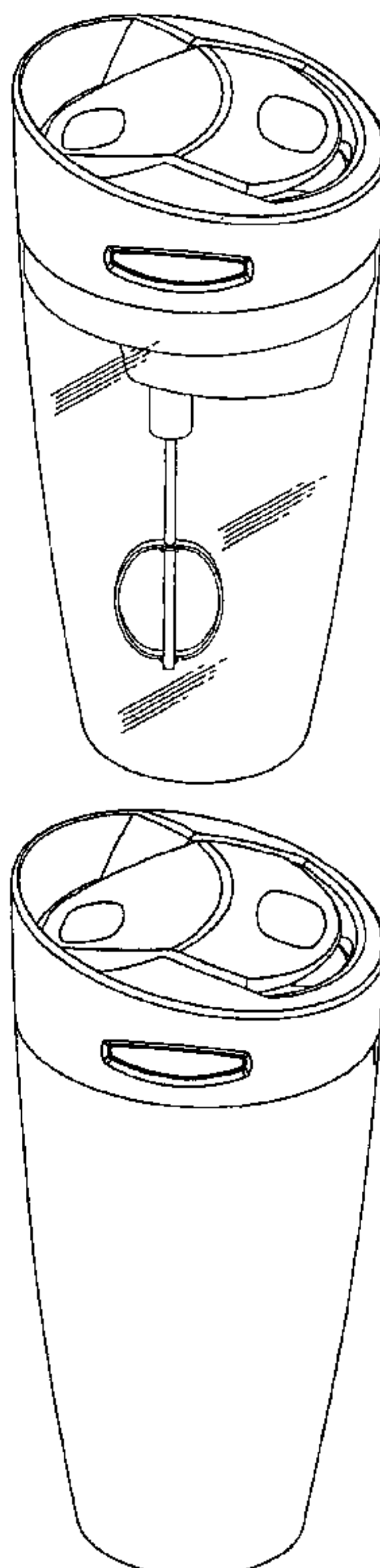
FIG. 1 is a top left perspective view of a combination mixing and drinking vessel embodying our design in accordance with the present invention;
FIG. 2 is a left side elevational view thereof;
FIG. 3 is a front elevational view thereof;
FIG. 4 is a rear elevational view thereof;
FIG. 5 is a right side elevational view thereof;
FIG. 6 is a top plan view thereof;
FIG. 7 is a bottom plan view thereof;
FIG. 8 is a top left perspective view of a combination mixing and drinking vessel embodying a second embodiment of our design in accordance with the present invention;
FIG. 9 is a left side elevational view thereof;
FIG. 10 is a front elevational view thereof;
FIG. 11 is a rear elevational view thereof;
FIG. 12 is a right side elevational view thereof;
FIG. 13 is a top plan view thereof; and,
FIG. 14 is a bottom plan view thereof.

(56) **References Cited**

U.S. PATENT DOCUMENTS

D181,143 S * 10/1957 Gundelfinger D7/376
D377,293 S * 1/1997 Husted D7/510
D426,742 S * 6/2000 Gartz et al. D7/376
D432,865 S * 10/2000 Cohen D7/510
D449,762 S * 10/2001 Jacober et al. D7/376
D480,268 S * 10/2003 Laib D7/510

1 Claim, 4 Drawing Sheets



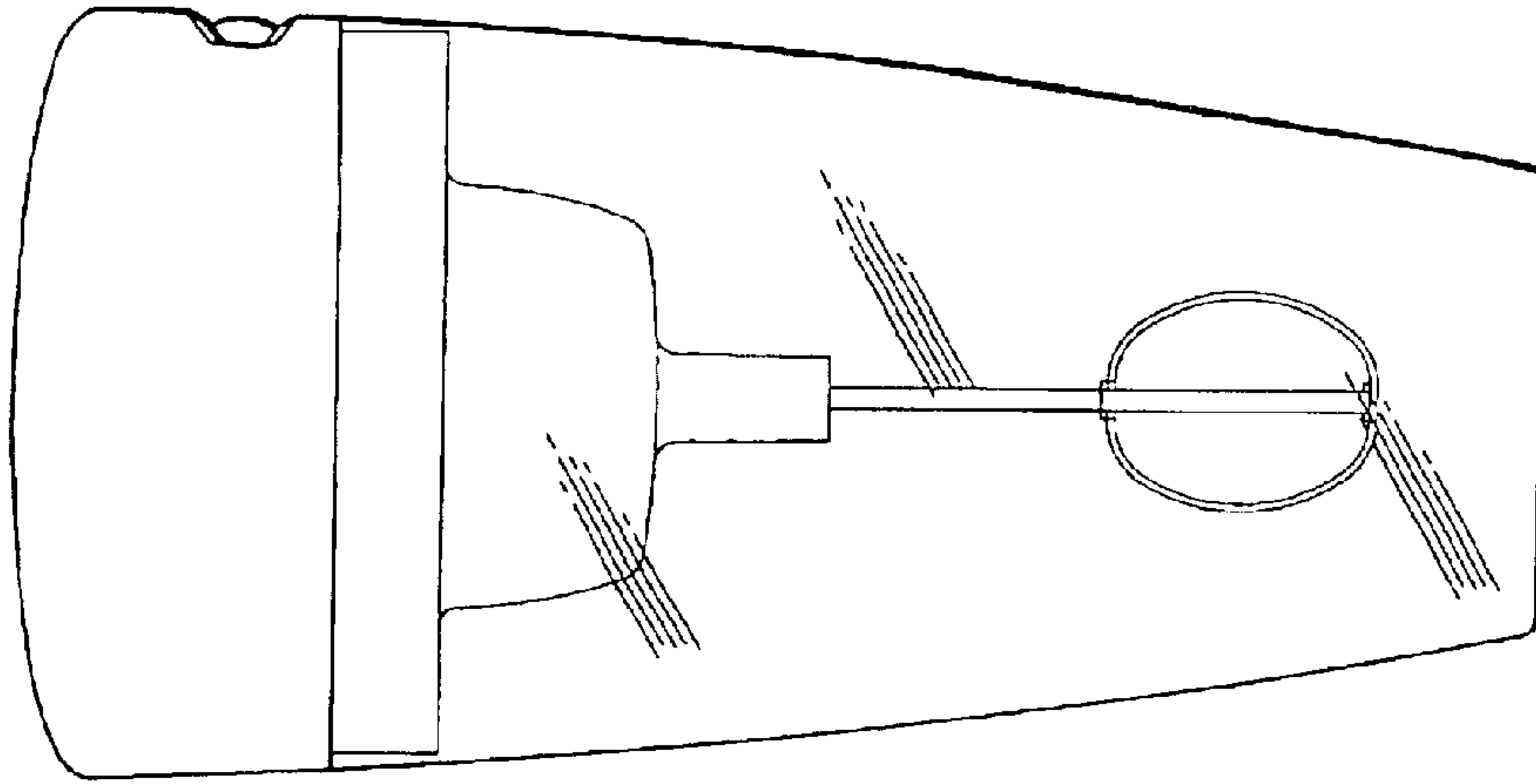


Fig. 3.

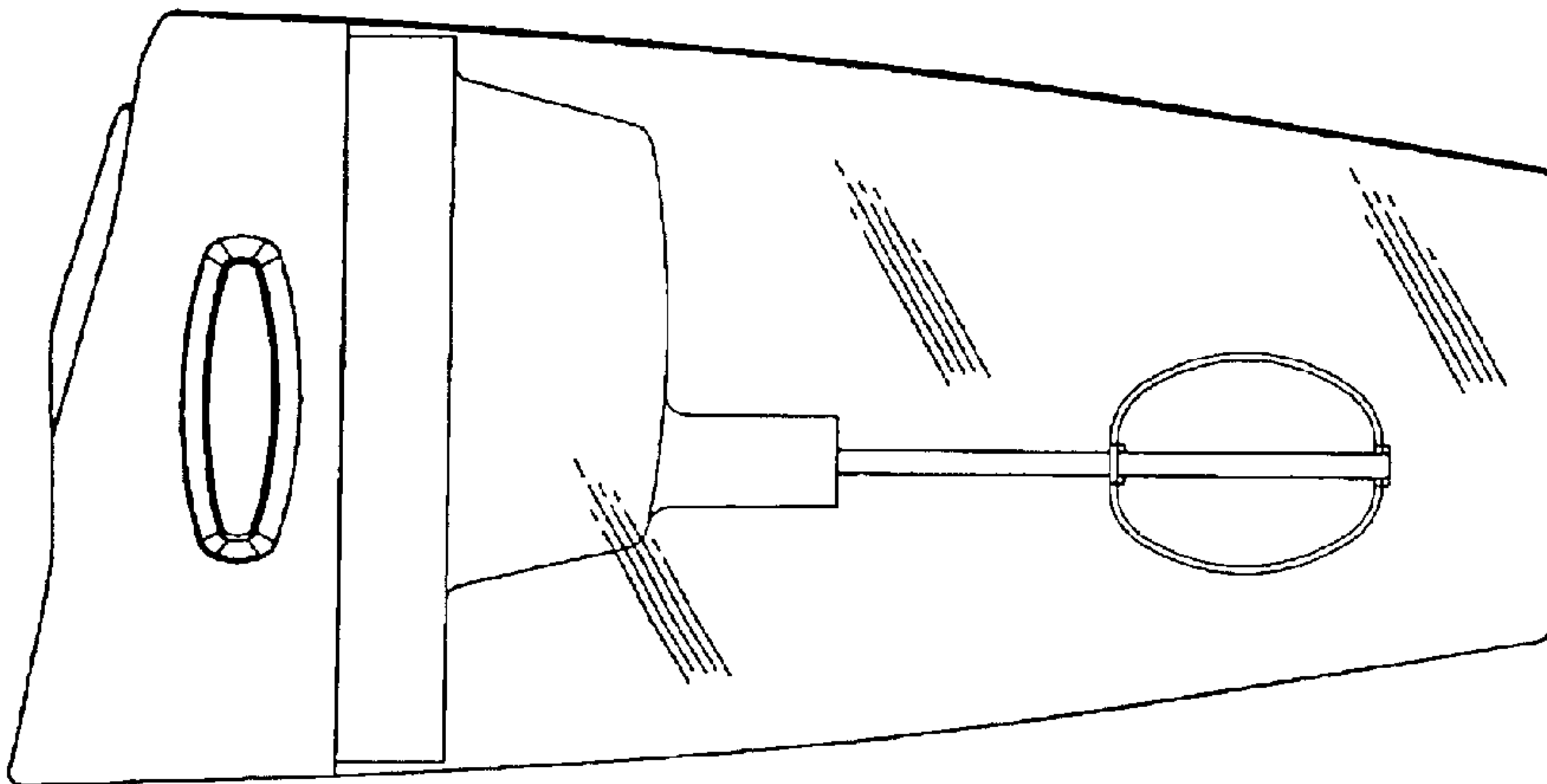


Fig. 2.

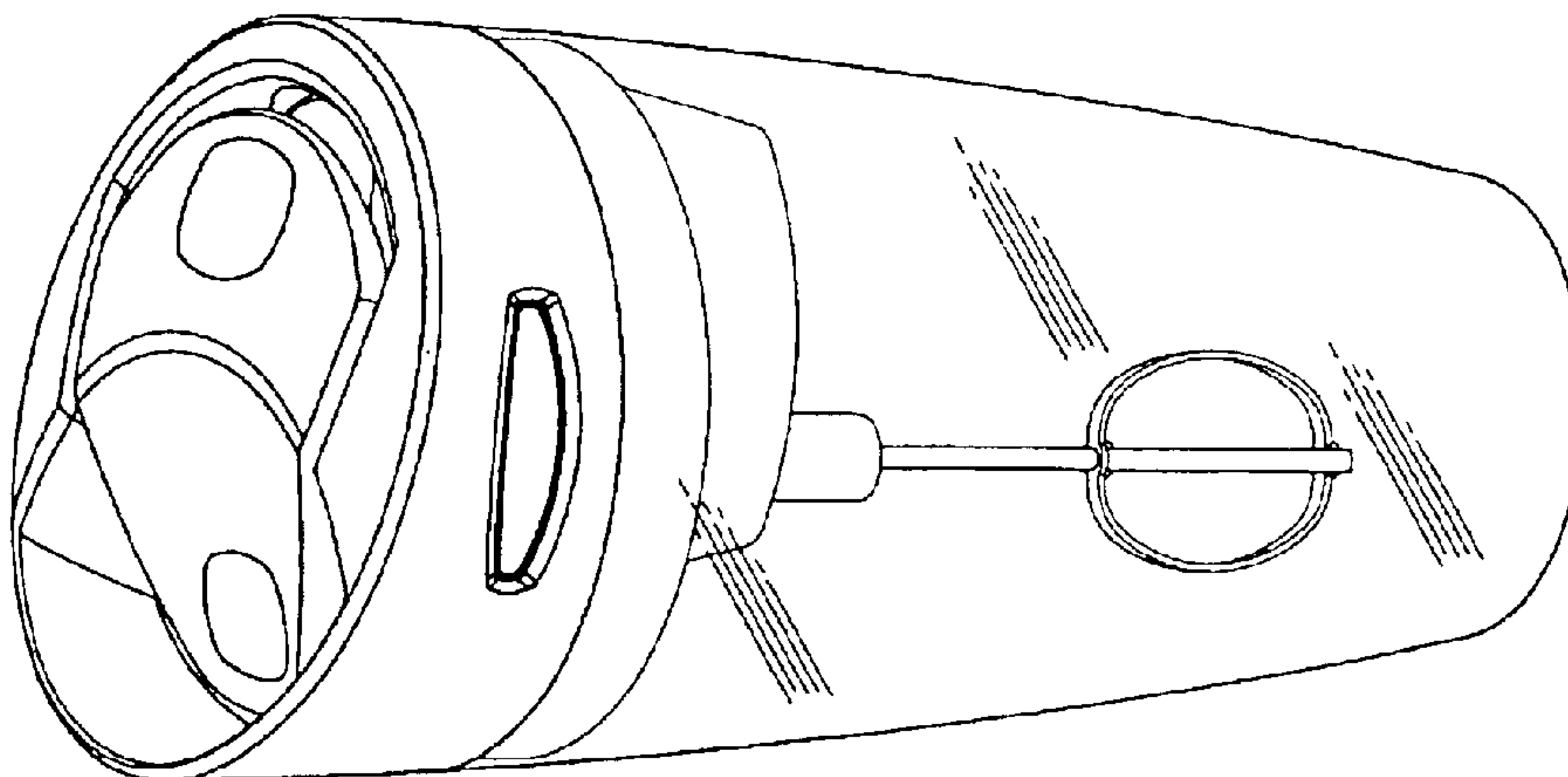


Fig. 1.

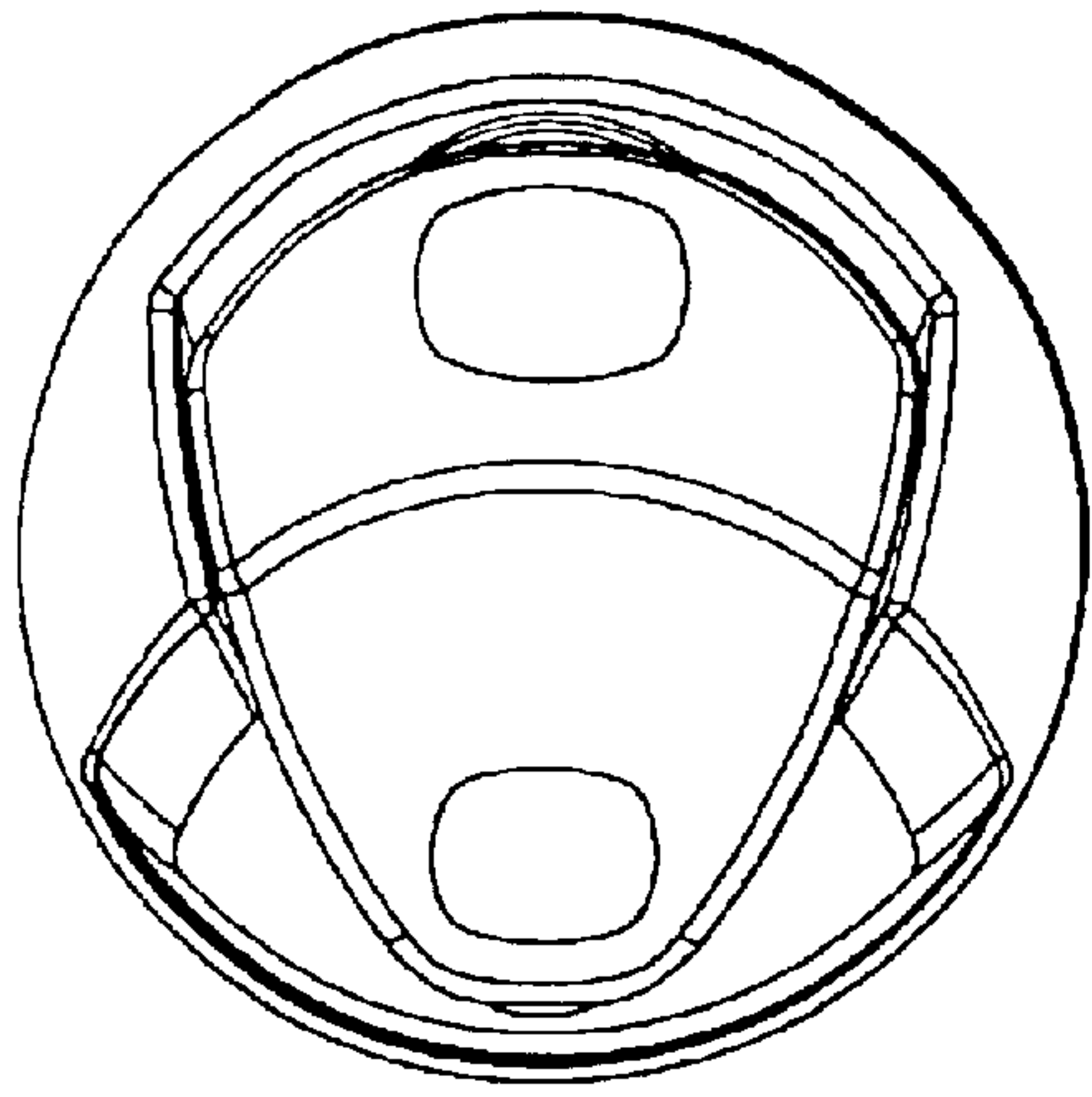


Fig. 6.

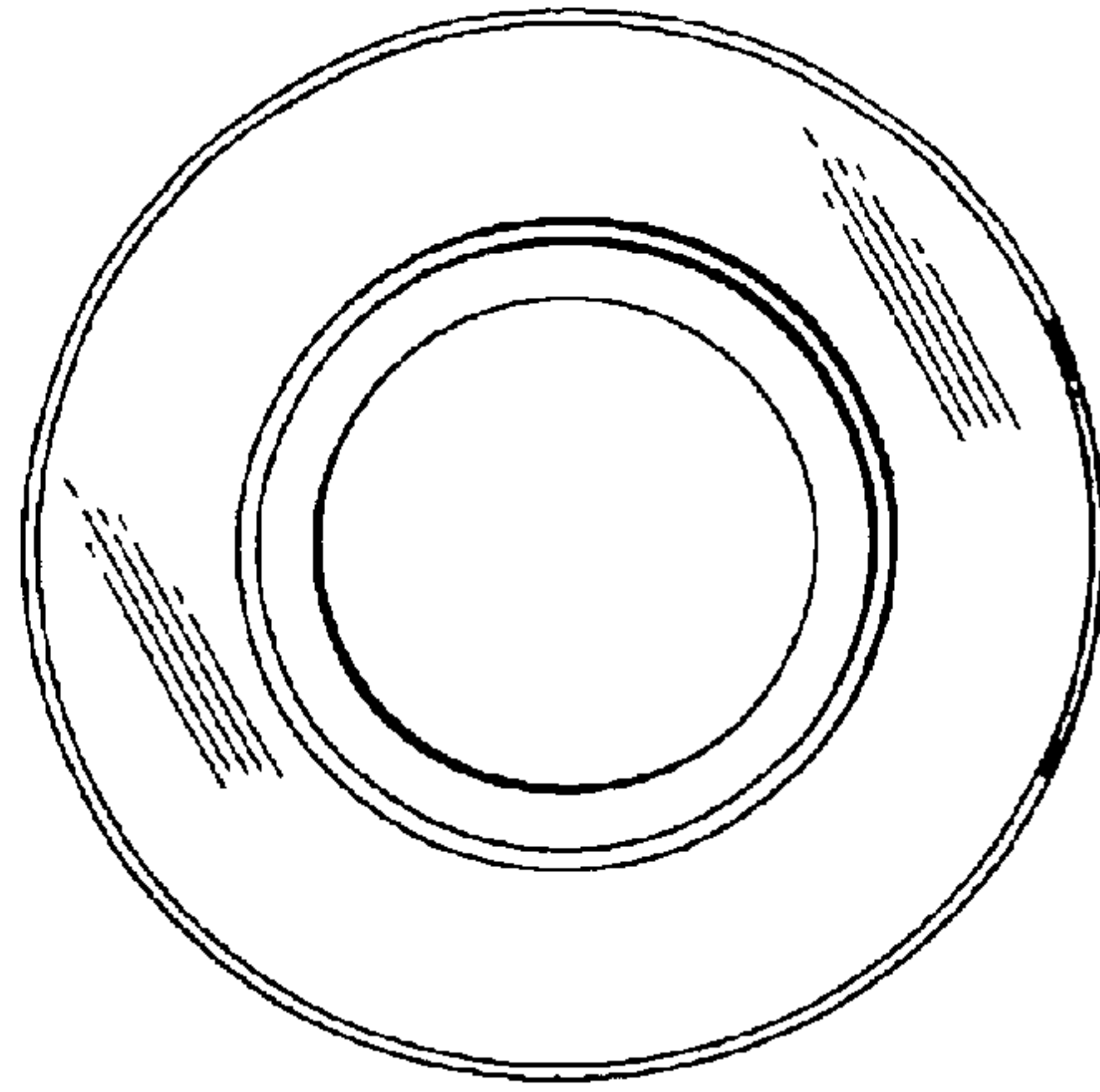


Fig. 7.

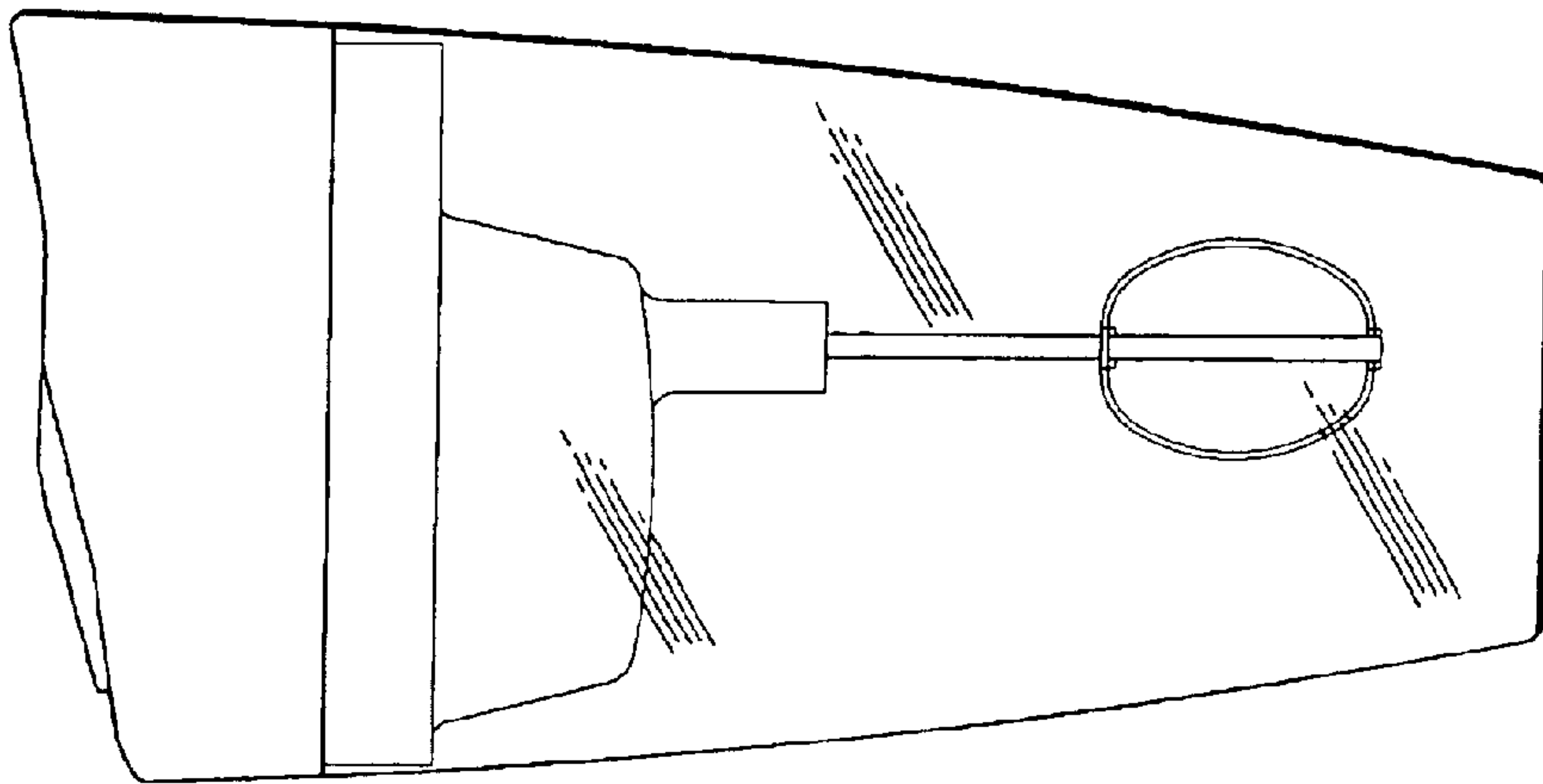


Fig. 5.

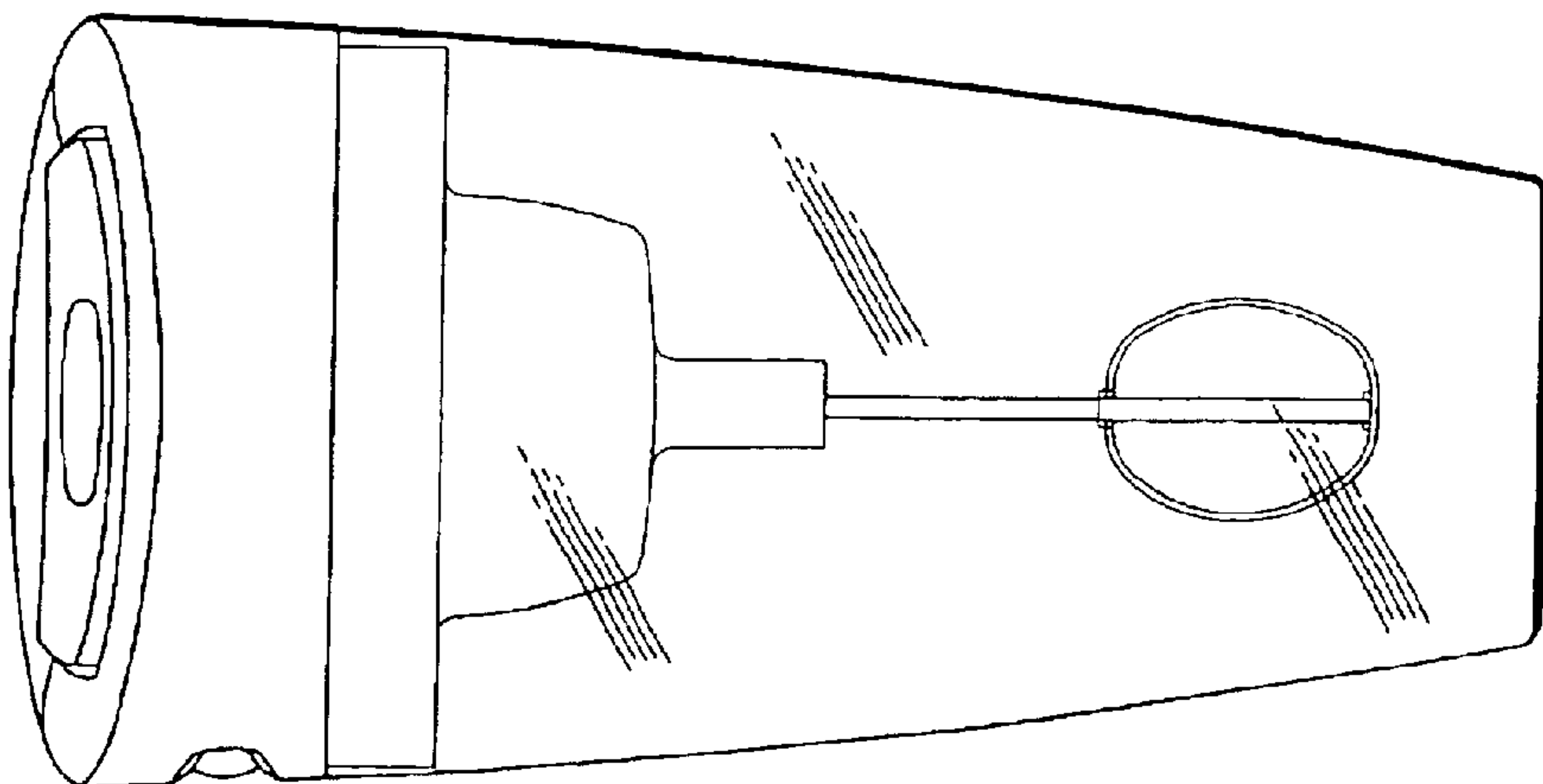


Fig. 4.

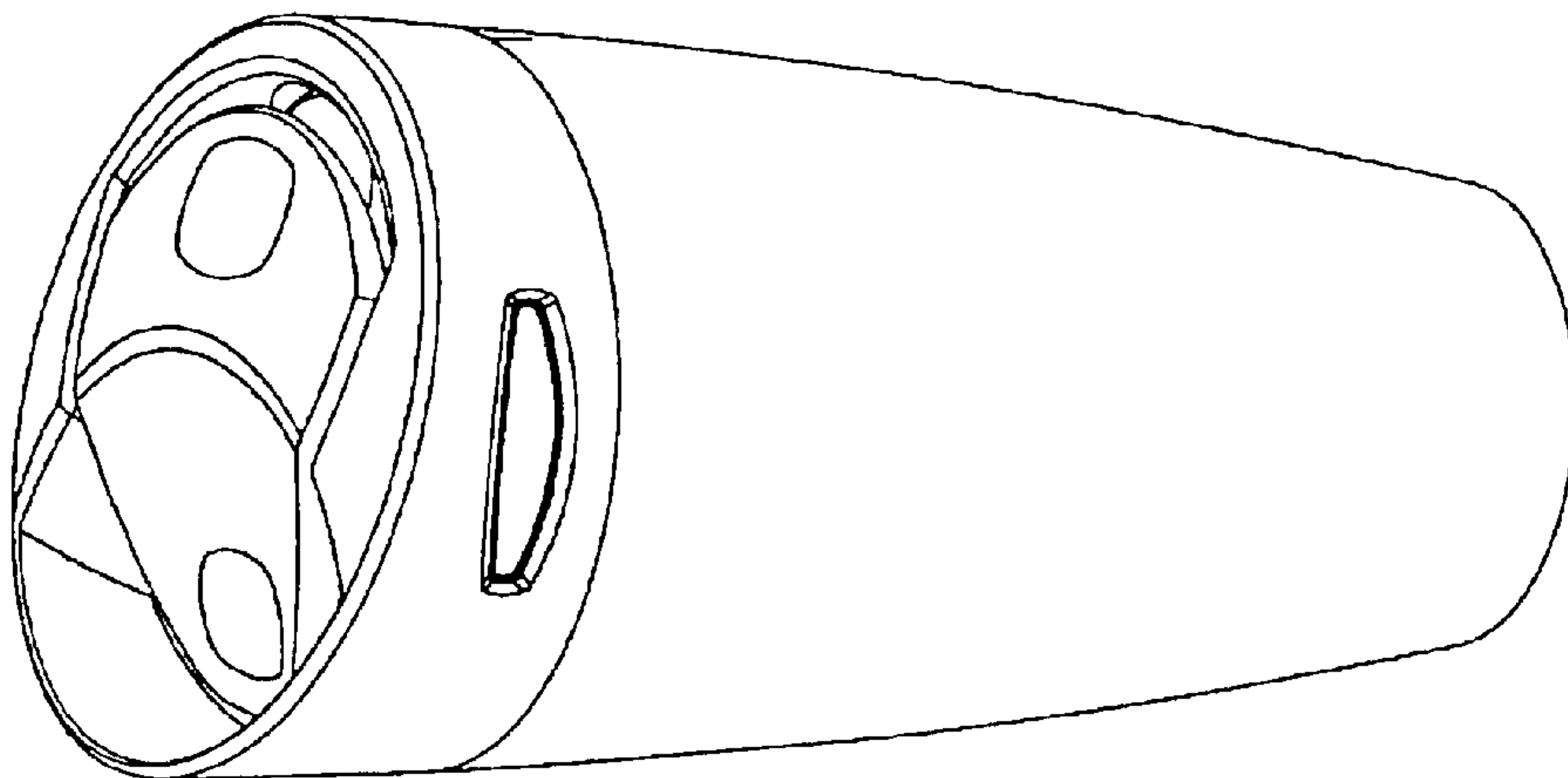


Fig. 8.

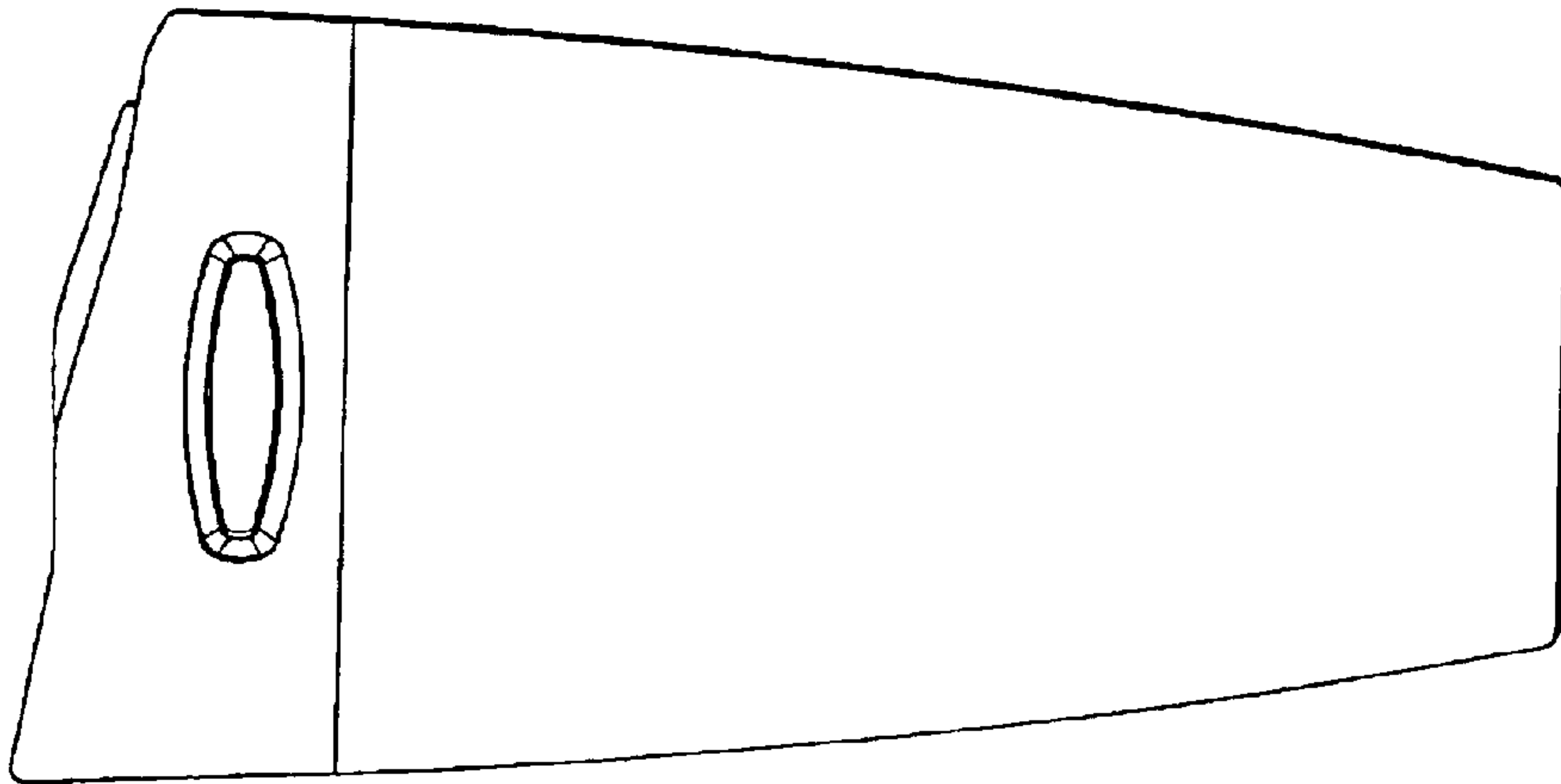


Fig. 9.

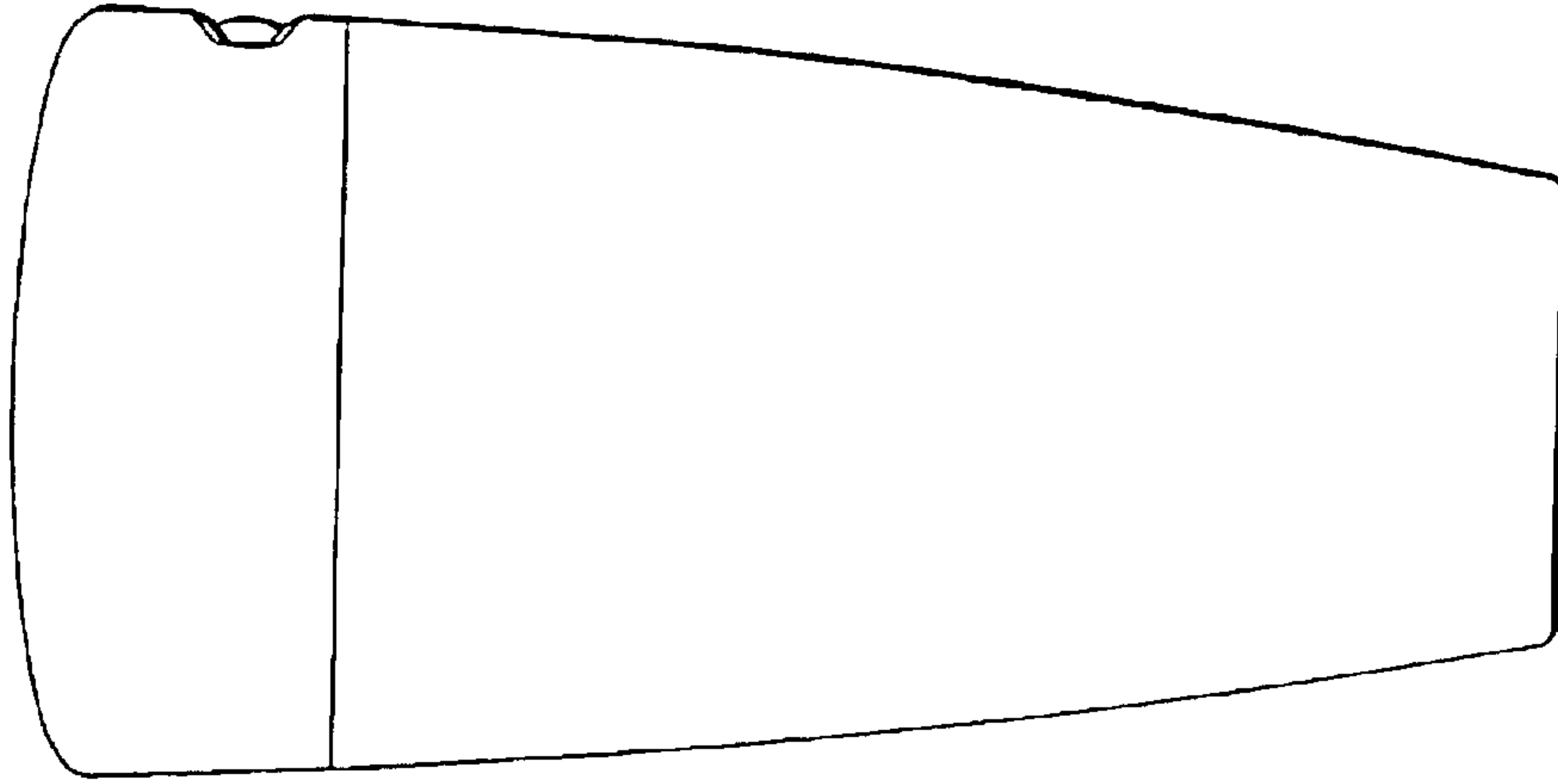


Fig. 10.

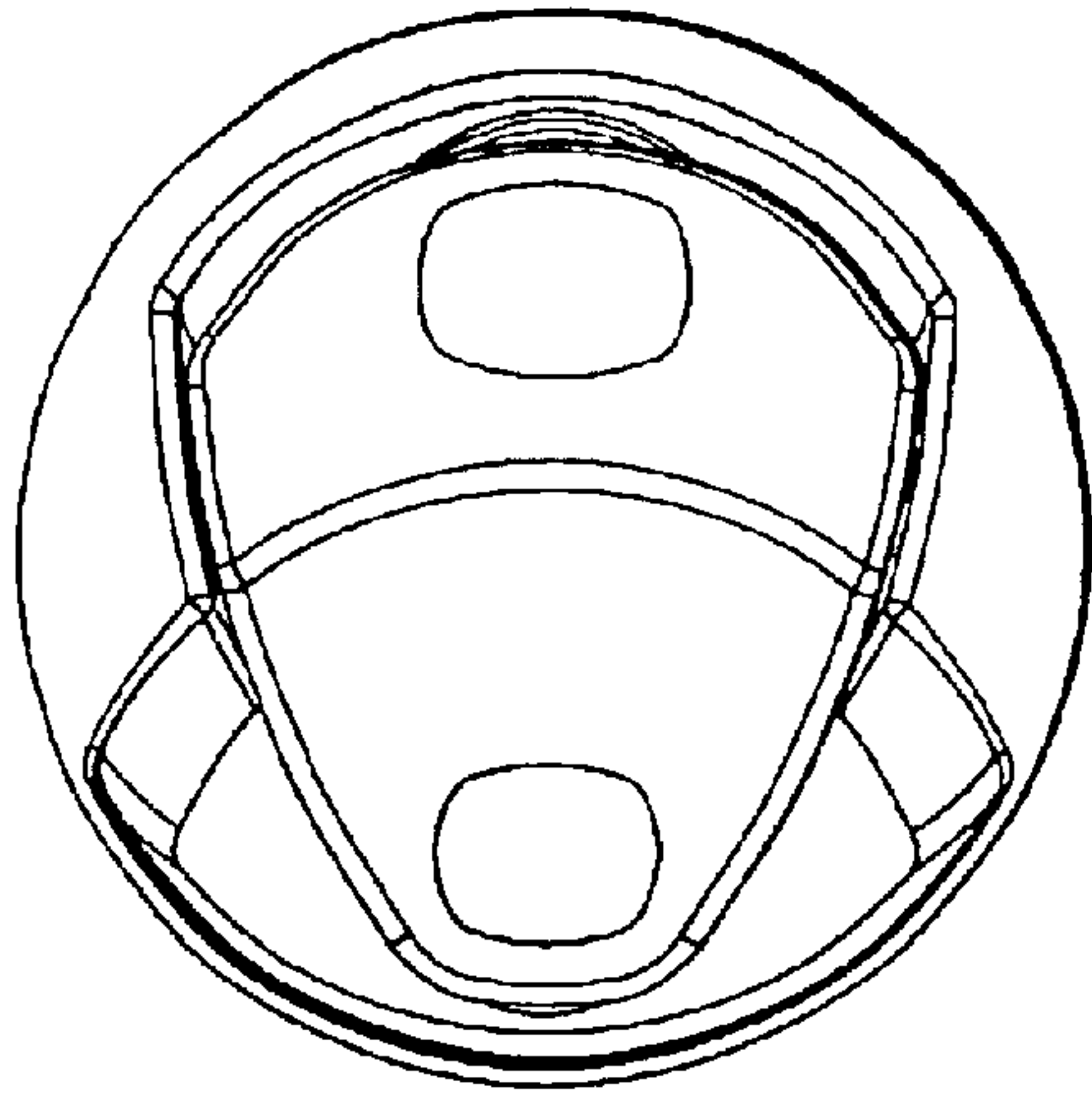


Fig. 13.

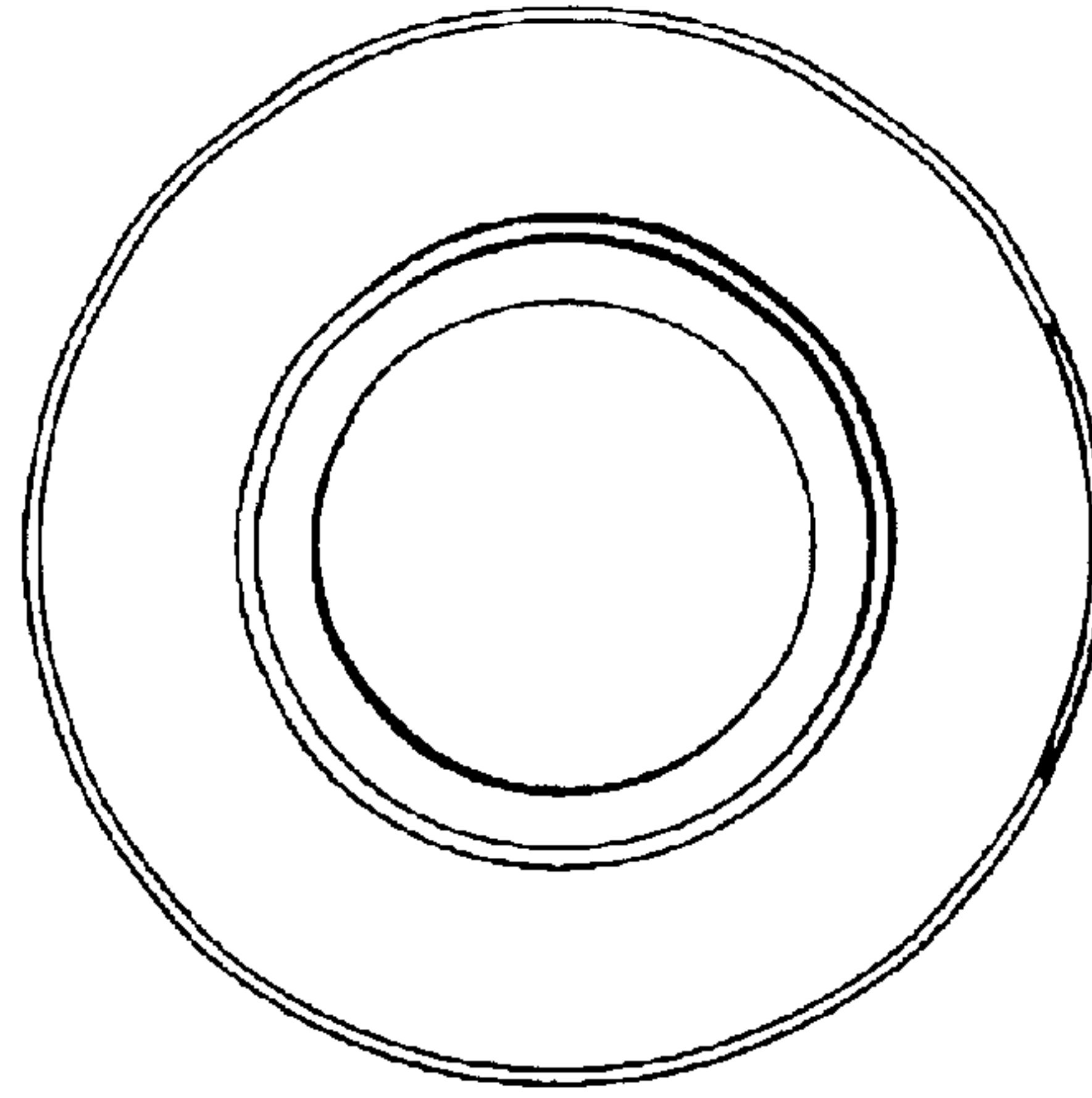


Fig. 14.

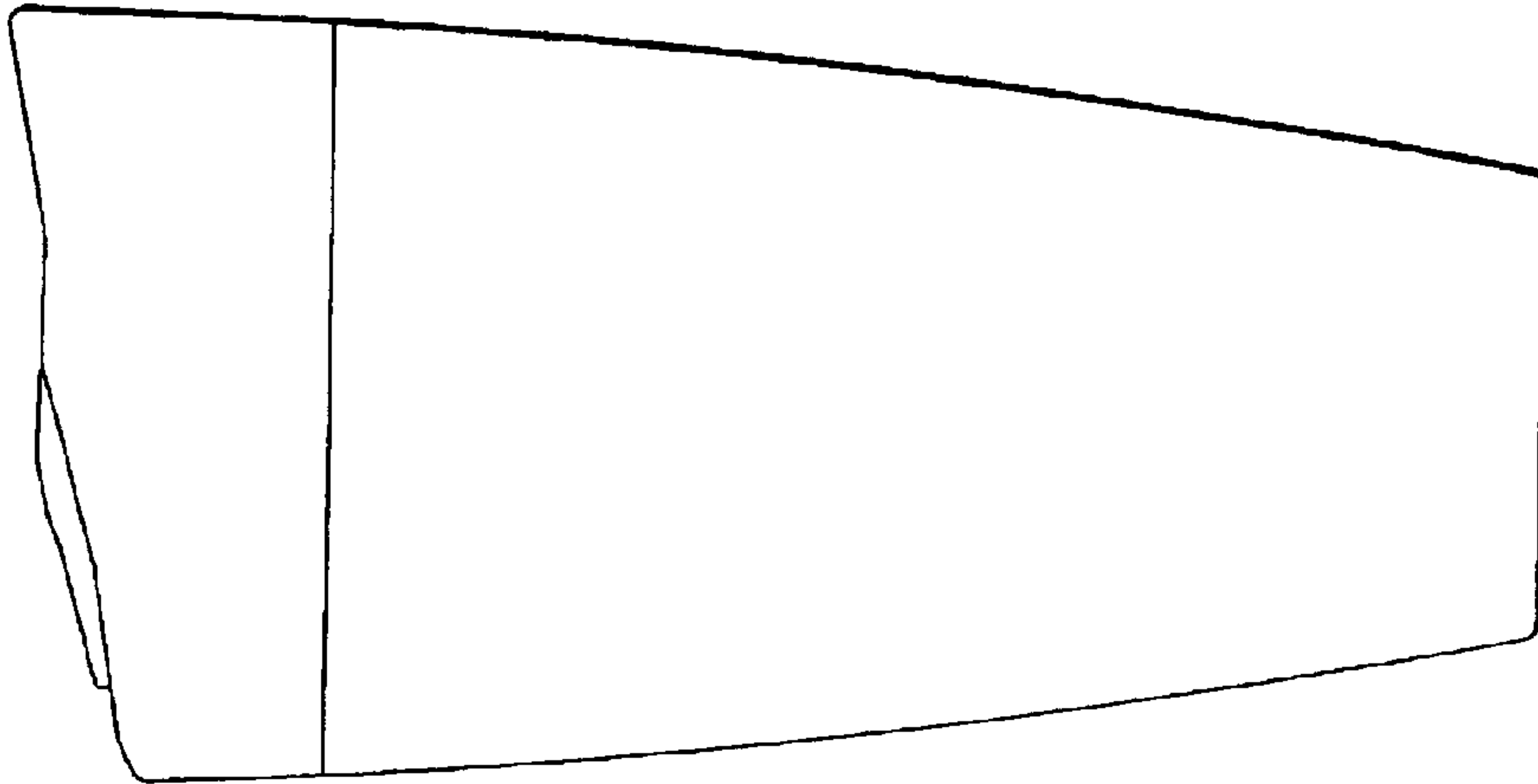


Fig. 12.

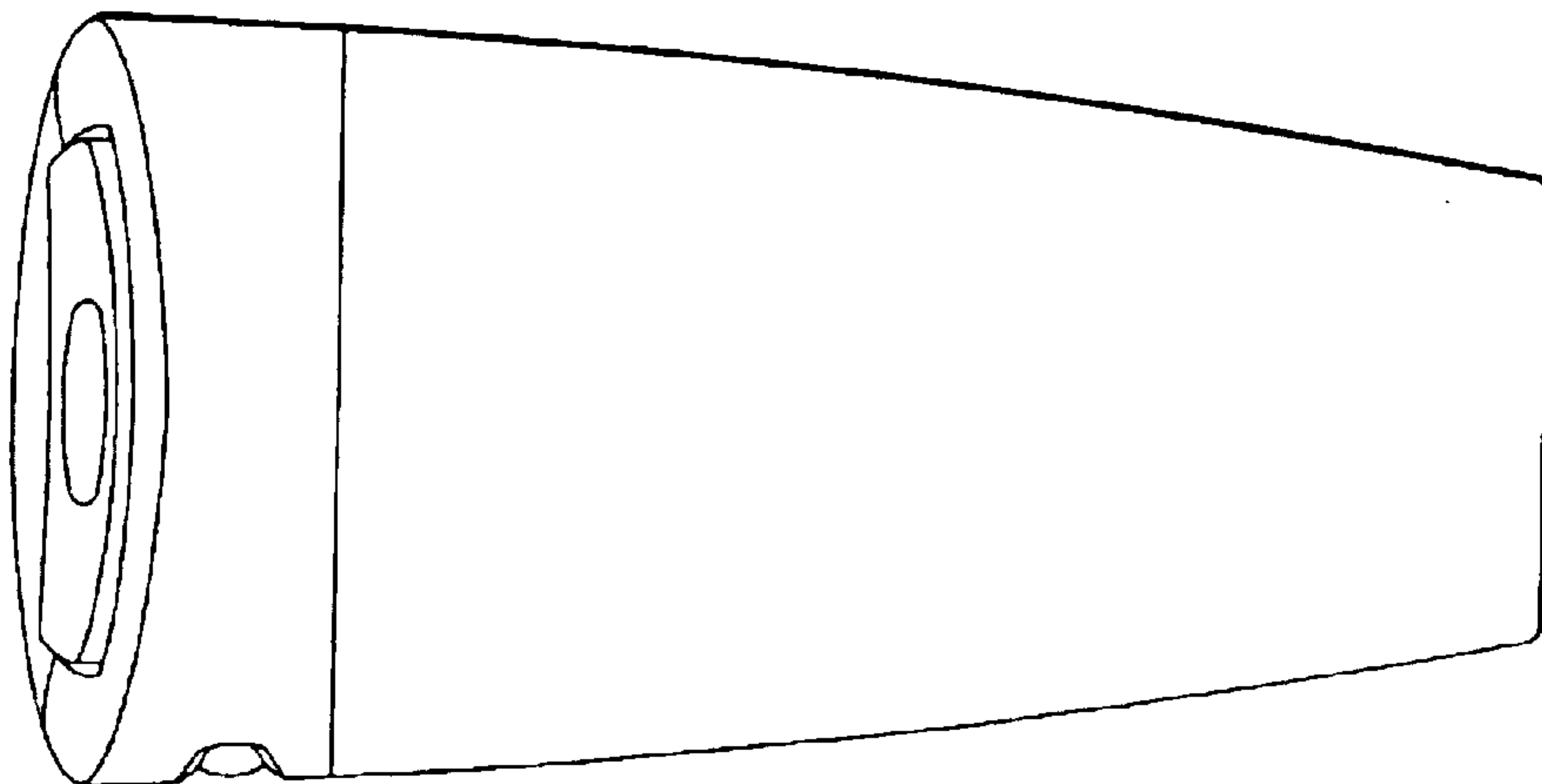


Fig. 11.