



US00D510676S

(12) **United States Design Patent**
Picozza et al.

(10) **Patent No.:** **US D510,676 S**

(45) **Date of Patent:** **** Oct. 18, 2005**

(54) **FOUR SLICE TOASTER**

(75) Inventors: **Augusto Picozza**, Boca Raton, FL (US); **Randall P. Bell**, River Forest, IL (US); **Elliott Hsu**, Chicago, IL (US); **Allen B. McKittrick**, Naperville, IL (US)

(73) Assignee: **Sunbeam Products, Inc.**, Boca Raton, FL (US)

(**) Term: **14 Years**

(21) Appl. No.: **29/208,001**

(22) Filed: **Jun. 22, 2004**

(51) **LOC (8) Cl.** **07-02**

(52) **U.S. Cl.** **D7/330**

(58) **Field of Search** D7/323, 328-330, D7/390; 99/331, 332, 357, 375, 385; 219/388, 405, 450.1; D21/525

(56) **References Cited**

U.S. PATENT DOCUMENTS

D445,629 S * 7/2001 Davis et al. D7/330

D473,093 S * 4/2003 To D7/330
D475,884 S * 6/2003 Holderfield et al. D7/330
D502,629 S * 3/2005 Guyett et al. D7/330
D502,839 S * 3/2005 Cuffaro et al. D7/330

* cited by examiner

Primary Examiner—Caron D. Veynar

(74) *Attorney, Agent, or Firm*—Lawrence J. Shurupoff

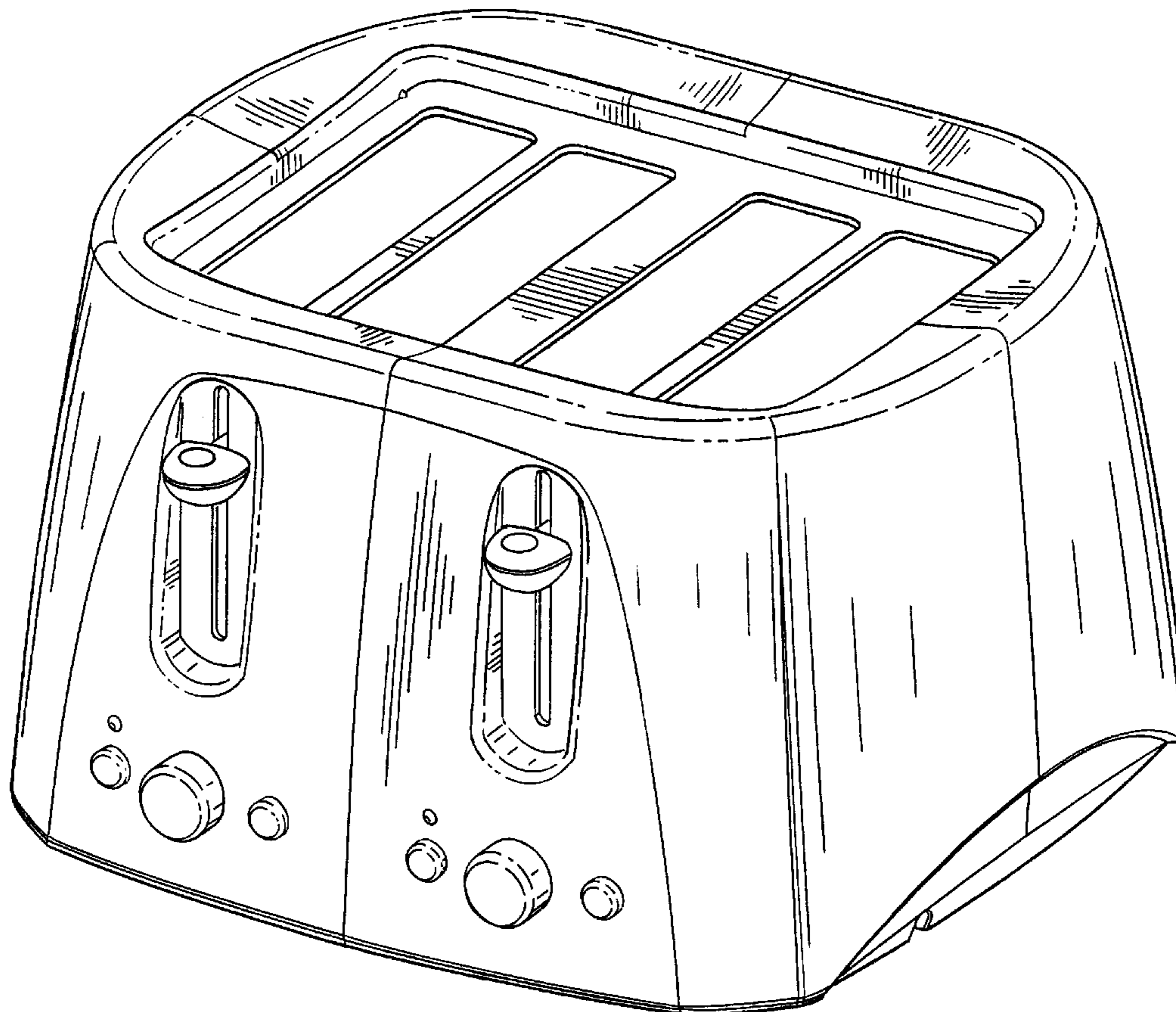
(57) **CLAIM**

The ornamental design for a four slice toaster, as shown and described.

DESCRIPTION

FIG. 1 is a top right perspective view of a four slice toaster; FIG. 2 is a left side elevational view thereof; FIG. 3 is a front elevational view thereof; FIG. 4 is a right side elevational view thereof; FIG. 5 is a rear elevational view thereof; and, FIG. 6 is a top plan view thereof.

1 Claim, 6 Drawing Sheets



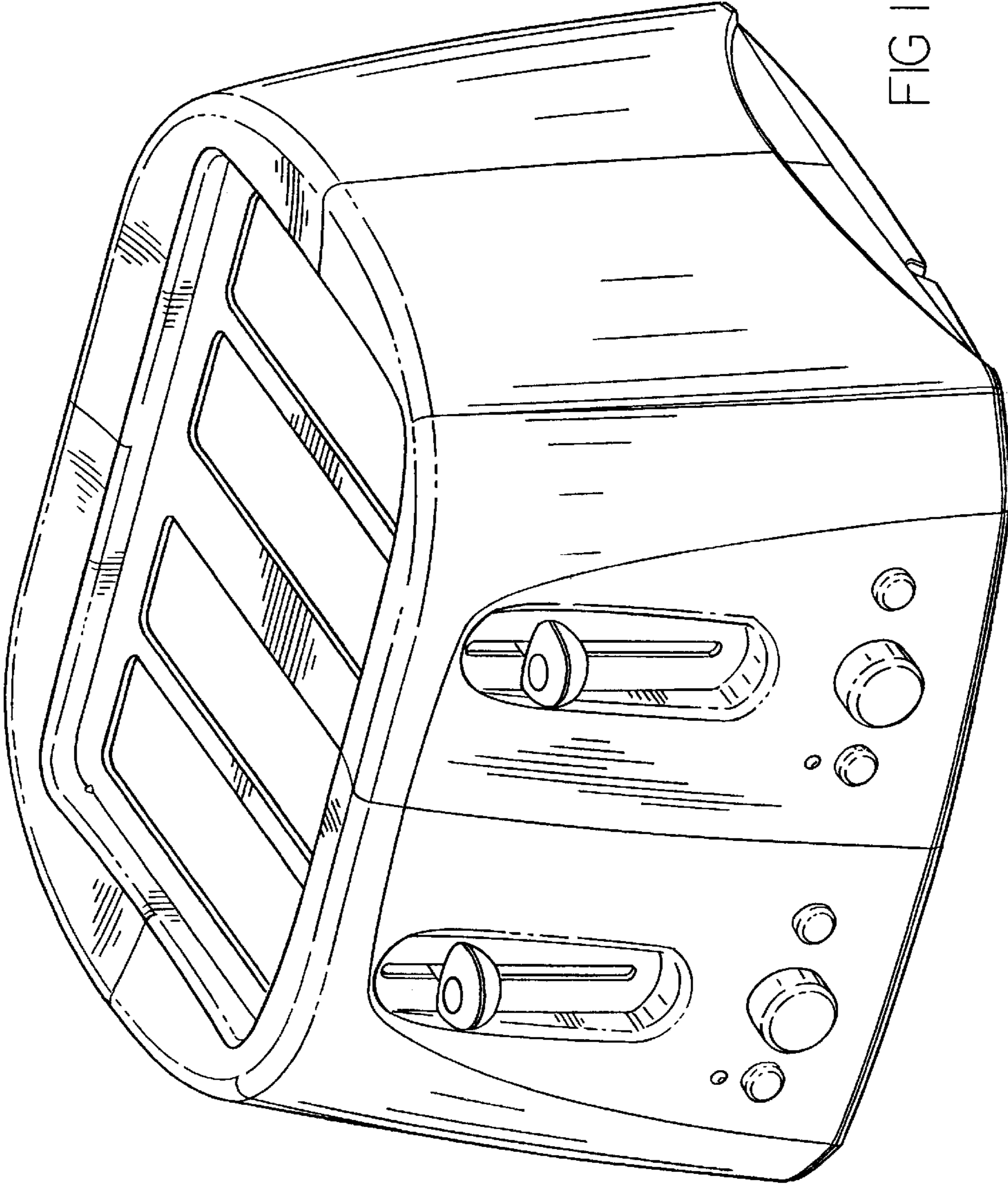


FIG 1

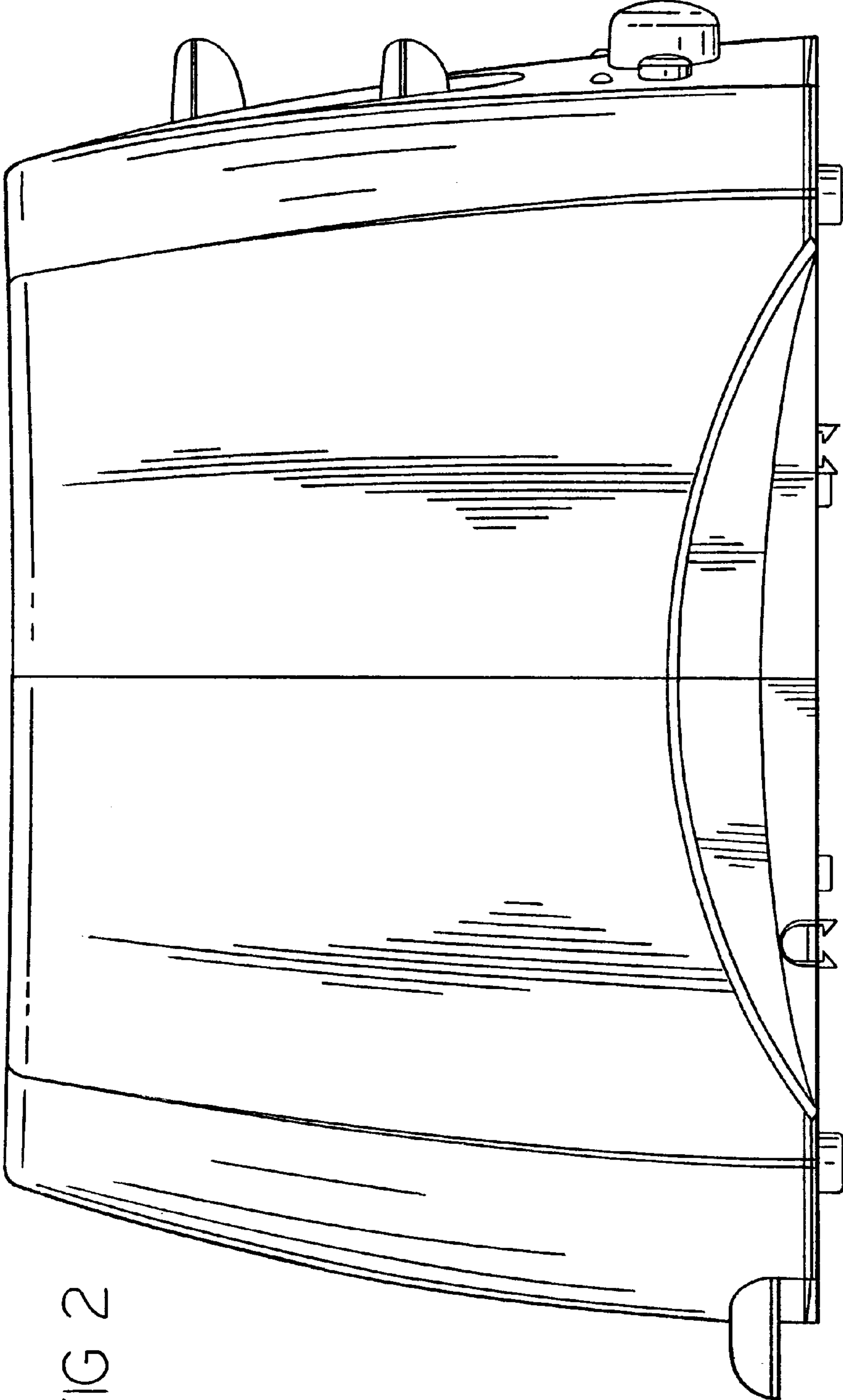


FIG 2

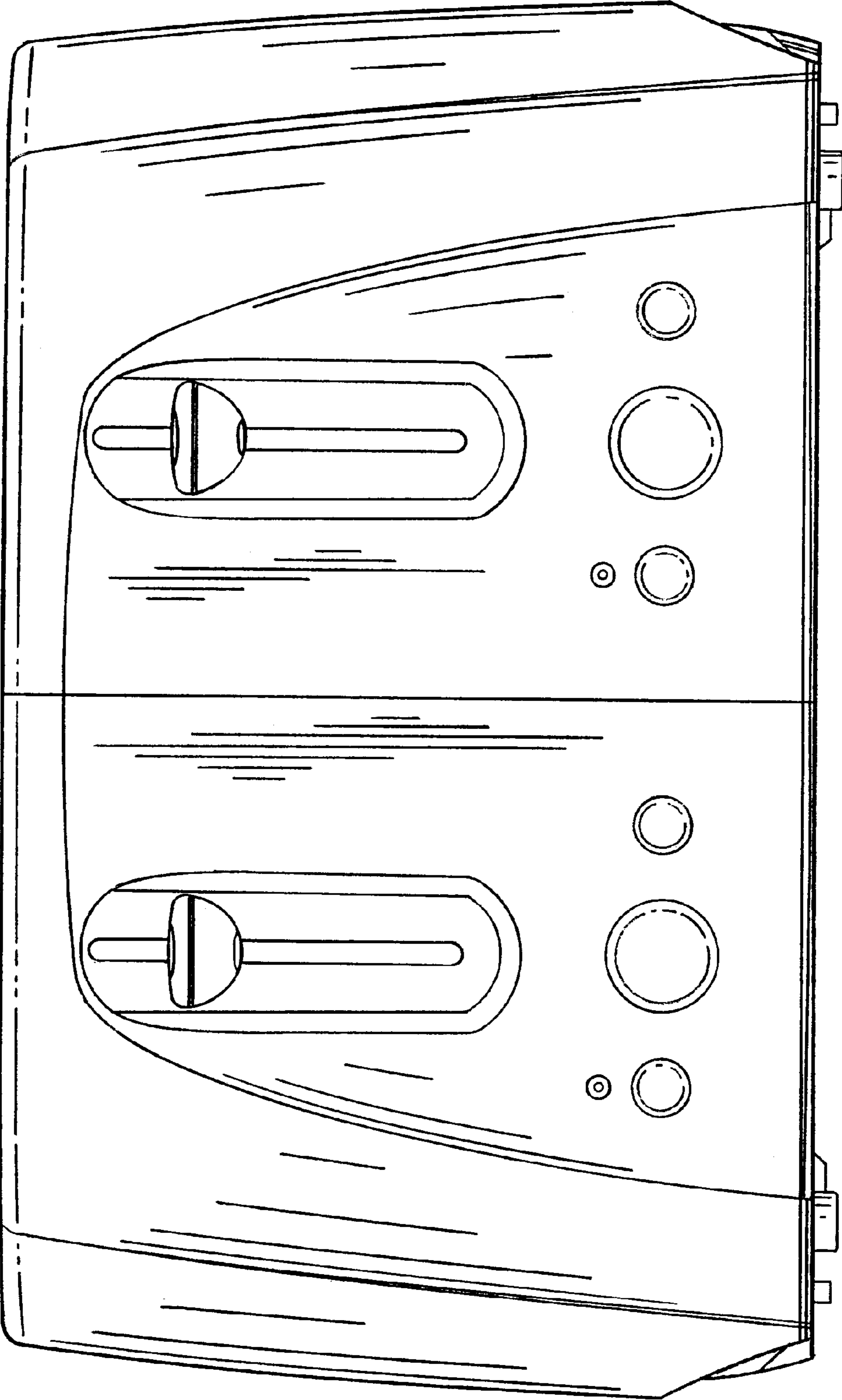


FIG 3

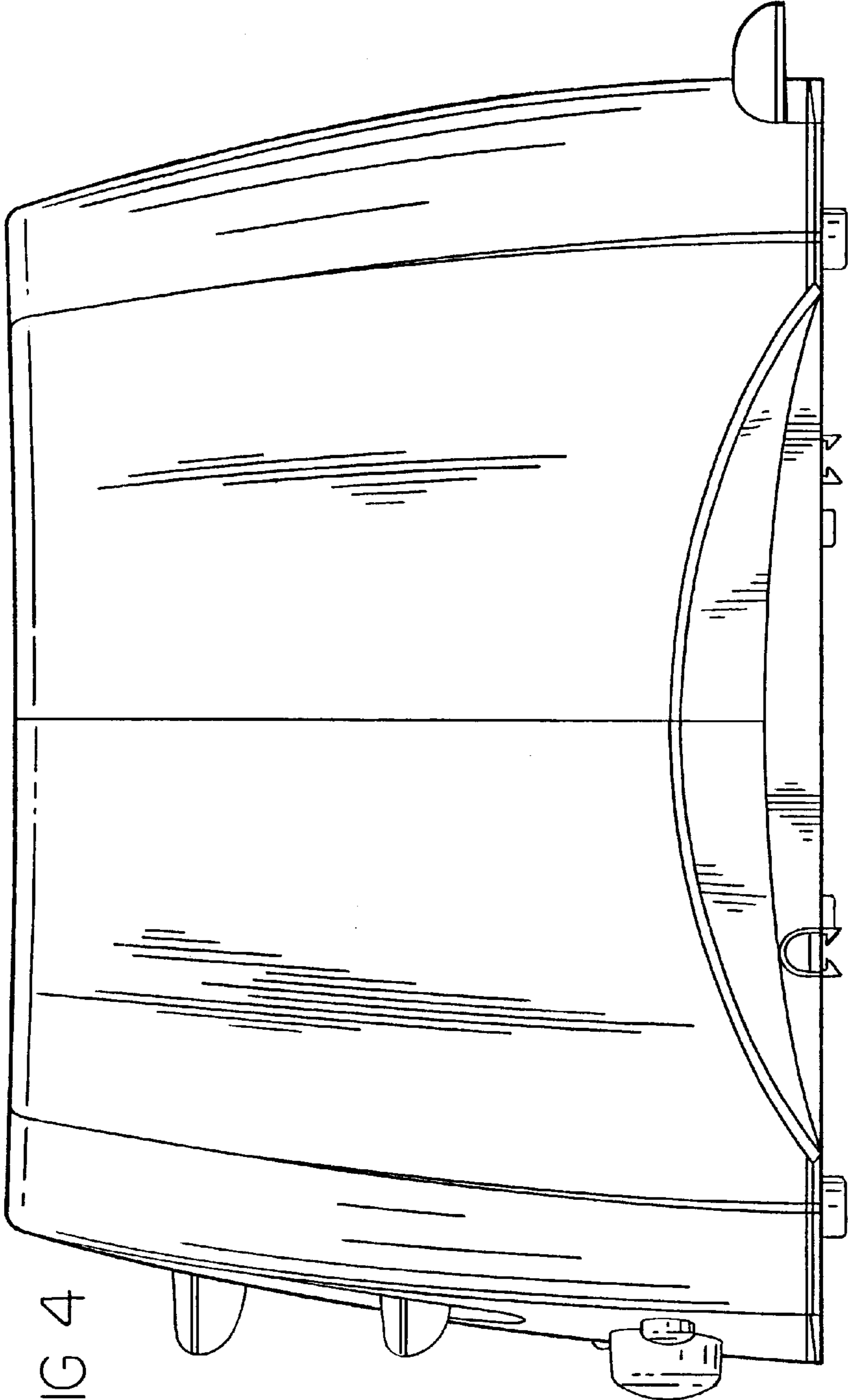
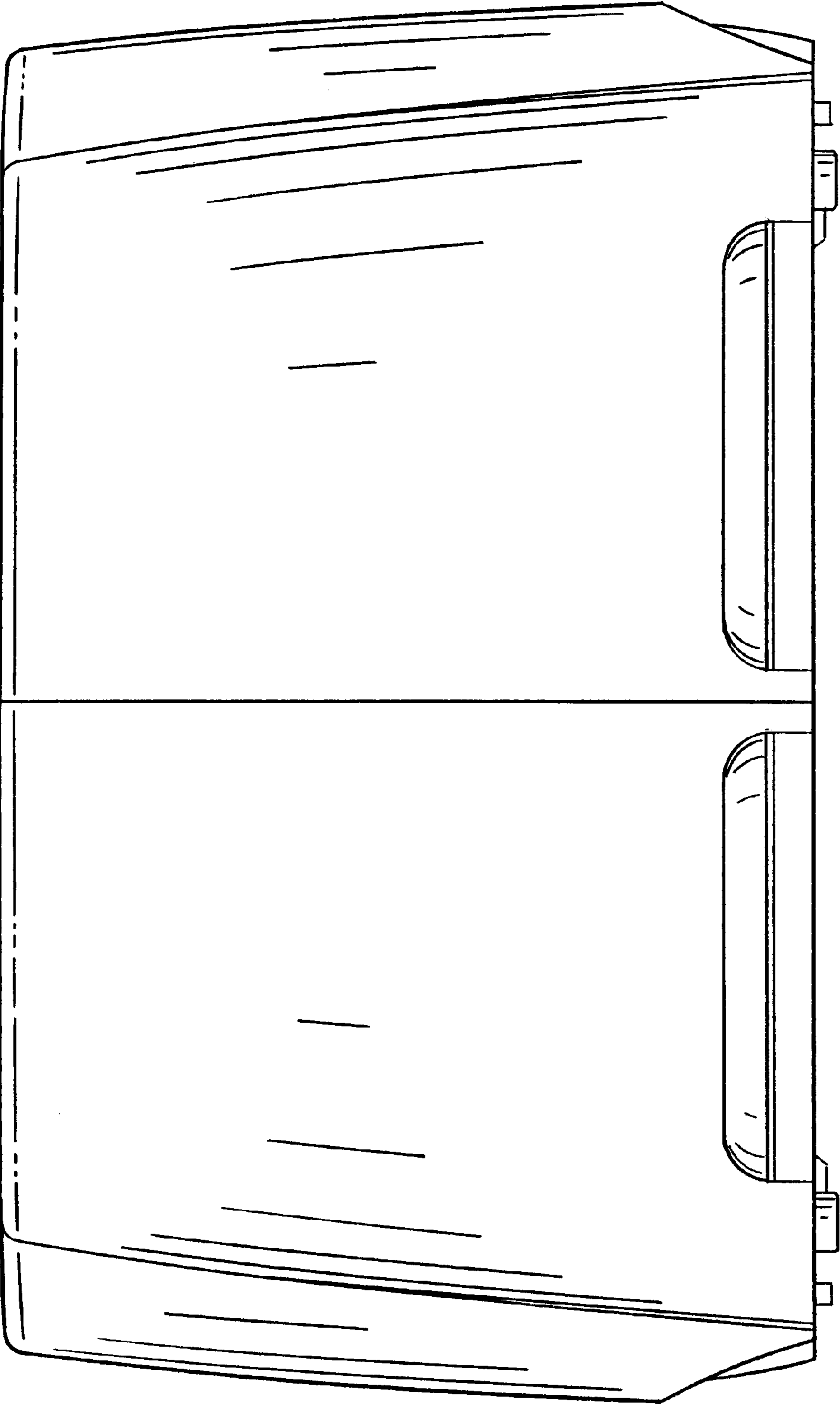


FIG 4

FIG 5



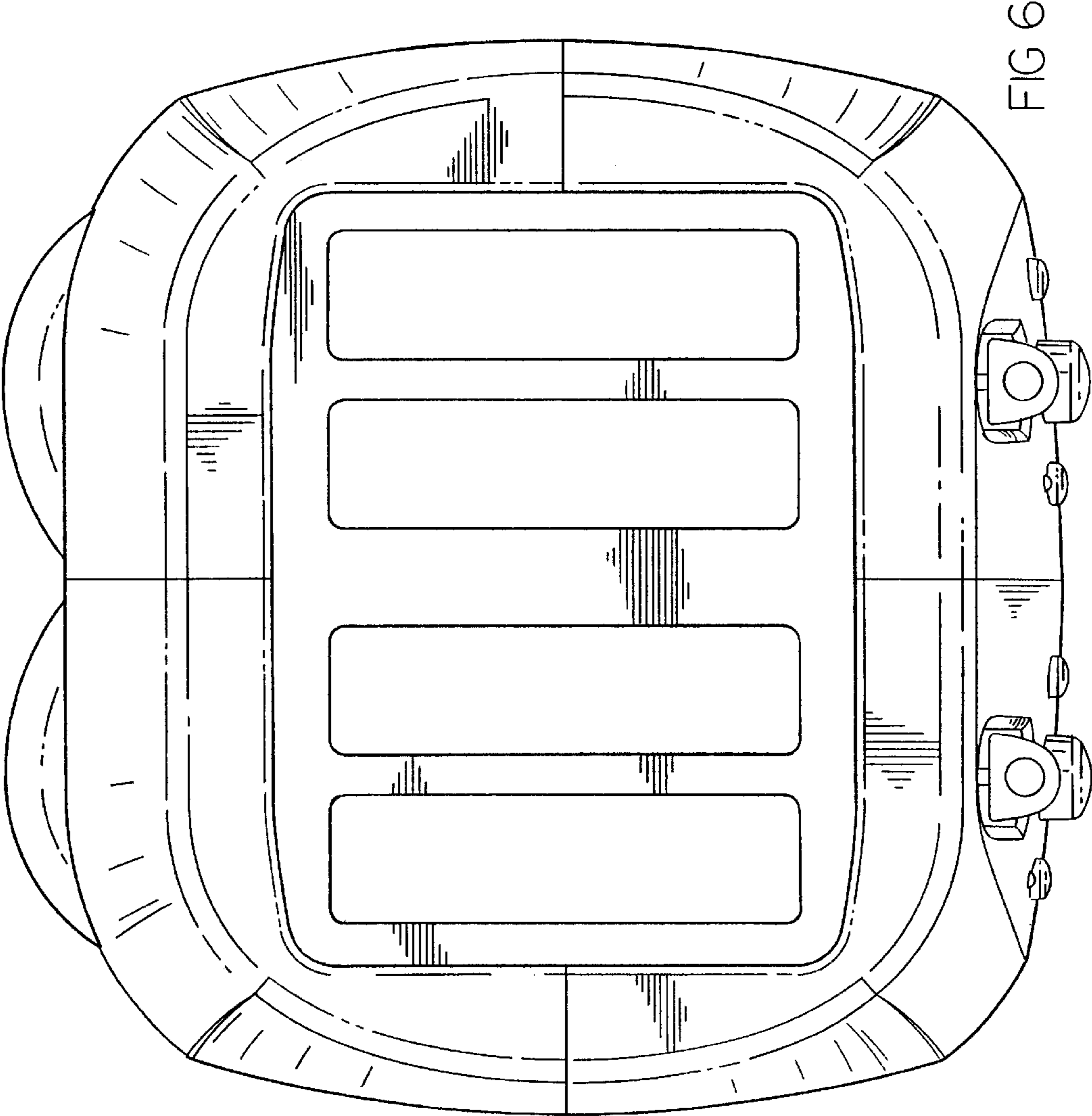


FIG 6