

US00D510673S

(12) **United States Design Patent** (10) **Patent No.:** **US D510,673 S**  
**Prata dos Santos** (45) **Date of Patent:** **\*\* Oct. 18, 2005**

(54) **COMPACT DISC HOLDER**

(76) Inventor: **João Miguel Cardoso Prata dos Santos**, Rua Rodrigo Da Fonseca, No. 101, 2<sup>nd</sup> Floor Right, 1250-190 Lisbon (PT)

(\*\*) Term: **14 Years**

(21) Appl. No.: **29/215,080**

(22) Filed: **Oct. 13, 2004**

(30) **Foreign Application Priority Data**

Apr. 14, 2004 (PT) ..... 181

(51) **LOC (8) Cl.** ..... **06-04**

(52) **U.S. Cl.** ..... **D6/629**

(58) **Field of Search** ..... D6/407, 629, 630,  
D6/467, 468; 206/307.1, 387.14; 211/40,  
41.12; 312/9.1, 9.9, 9.47, 9.64

(56) **References Cited**

**U.S. PATENT DOCUMENTS**

|             |   |         |                |       |          |
|-------------|---|---------|----------------|-------|----------|
| D160,344 S  | * | 10/1950 | Shapiro        | ..... | D6/468   |
| D161,139 S  | * | 12/1950 | Shapiro        | ..... | D6/467   |
| 2,825,465 A | * | 3/1958  | Burgo          | ..... | 211/40   |
| D201,733 S  | * | 7/1965  | Vovakas        | ..... | D6/469   |
| 3,557,965 A | * | 1/1971  | Agerholm       | ..... | 211/11   |
| 4,507,330 A | * | 3/1985  | Schaaf         | ..... | 211/41.1 |
| D309,524 S  | * | 7/1990  | Egly et al.    | ..... | D6/629   |
| D310,460 S  | * | 9/1990  | Vergnano       | ..... | D6/596   |
| D332,708 S  | * | 1/1993  | Schmidt et al. | ..... | D6/407   |
| D336,182 S  | * | 6/1993  | Machut         | ..... | D6/467   |
| D336,752 S  | * | 6/1993  | Lattimer       | ..... | D6/467   |
| D358,525 S  | * | 5/1995  | Sedon et al.   | ..... | D6/629   |
| D365,122 S  | * | 12/1995 | Thorup         | ..... | D6/467   |
| D401,451 S  | * | 11/1998 | Sherman        | ..... | D6/467   |

|              |   |         |              |       |           |
|--------------|---|---------|--------------|-------|-----------|
| D402,137 S   | * | 12/1998 | Blazevich    | ..... | D6/467    |
| 5,921,404 A  | * | 7/1999  | Cooke et al. | ..... | 211/40    |
| D415,203 S   | * | 10/1999 | Sherman      | ..... | D6/467    |
| 6,607,084 B1 | * | 8/2003  | Spinelli     | ..... | 211/71.01 |

**OTHER PUBLICATIONS**

U.S. Appl. No. 29/215,081; filed Oct. 13, 2004.  
U.S. Appl. No. 29/215,082; filed Oct. 13, 2004.  
60 CD POD; printed from <http://www.allmultimediacstorage.com> on Dec. 3, 2004.  
Staples 40 CD Caseless Storage Box, Platinum; printed from <http://www.staples.com> on Dec. 3, 2004.

\* cited by examiner

*Primary Examiner*—Cathron C. Brooks

(74) *Attorney, Agent, or Firm*—Fross Zelnick Lehrman & Zissu, P.C.; David I. Greenbaum, Esq.

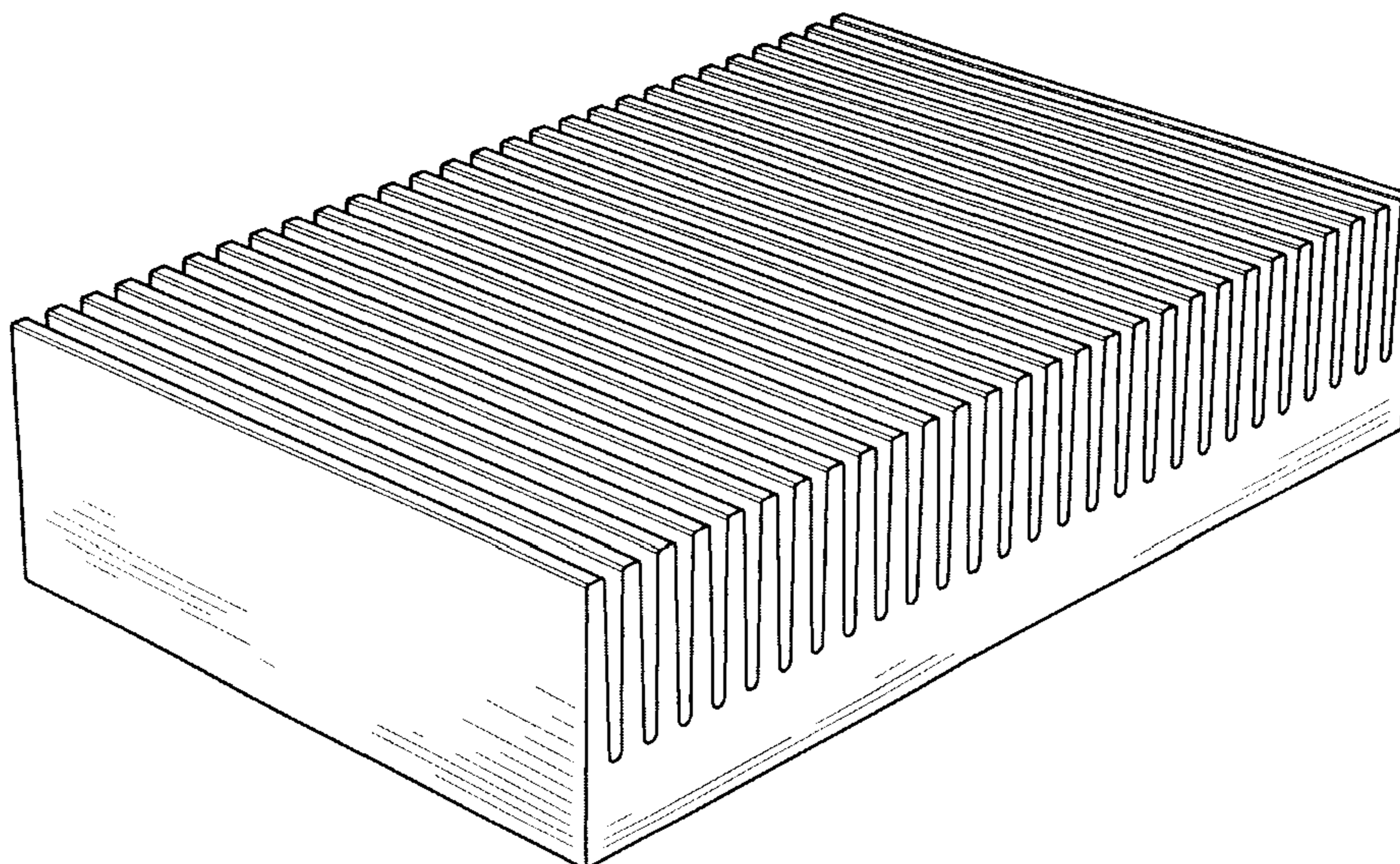
(57) **CLAIM**

The ornamental design for a compact disc holder, as shown and described.

**DESCRIPTION**

FIG. 1 is a top perspective view of a compact disc holder showing the new design;  
FIG. 2 is a side view of the compact disc holder shown in FIG. 1;  
FIG. 3 is a front view of the compact disc holder shown in FIG. 1;  
FIG. 4 is a top view of the compact disc holder shown in FIG. 1; and,  
FIG. 5 is a front perspective view of the compact disc holder shown in FIG. 1.  
The bottom of the compact disc holder is not part of the claimed design.

**1 Claim, 2 Drawing Sheets**



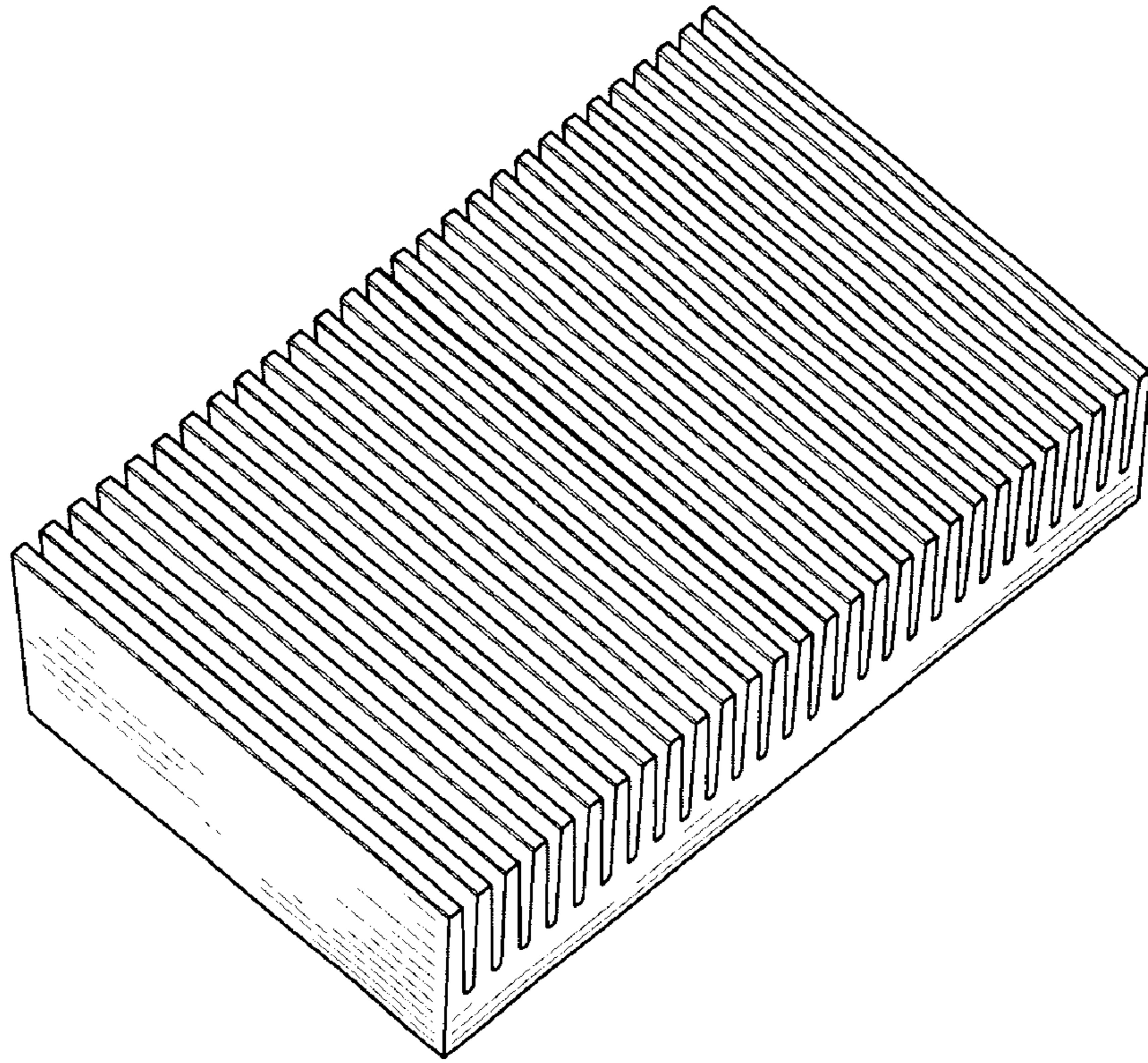


FIG. 1

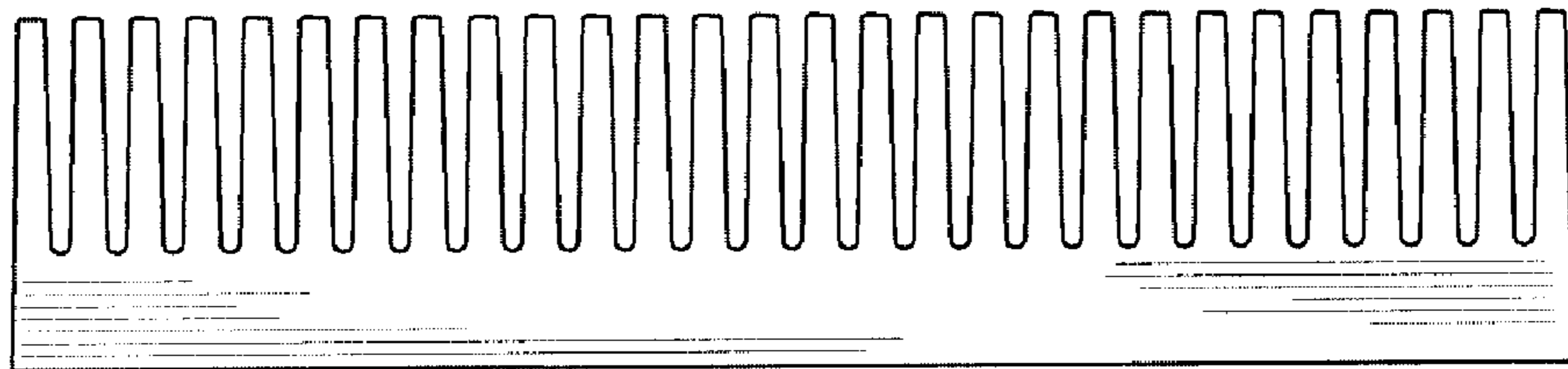


FIG. 2

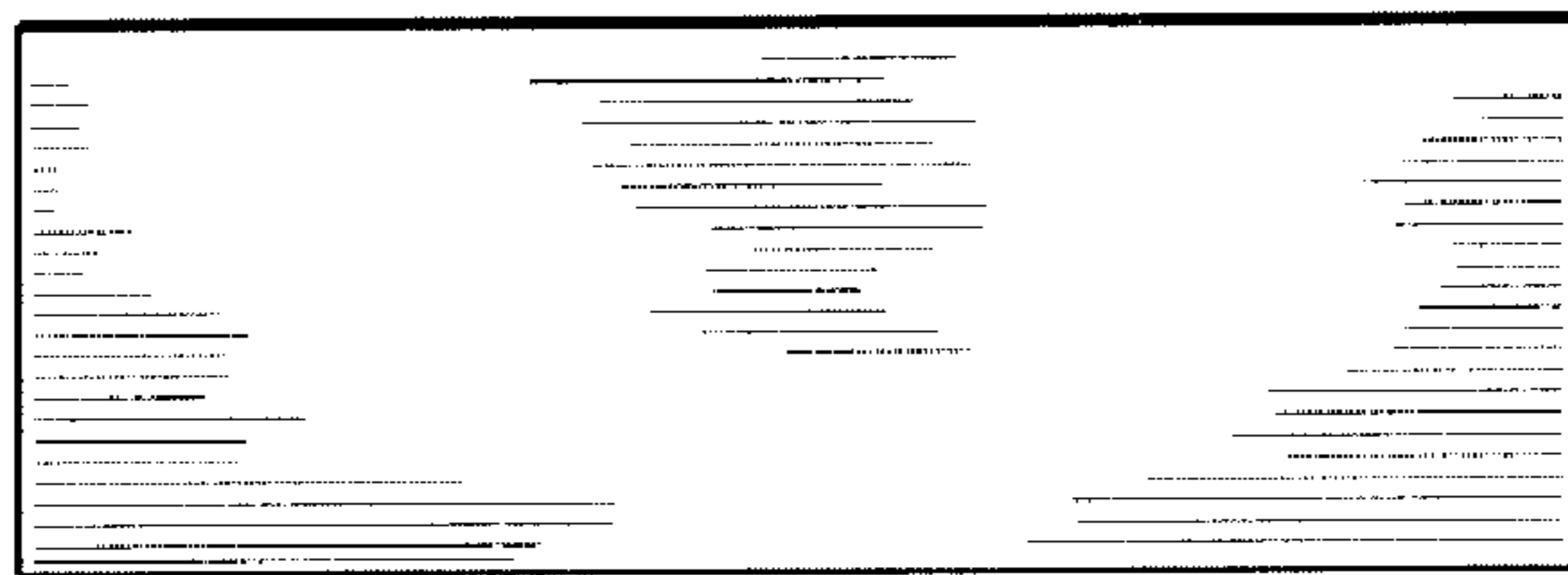


FIG. 3



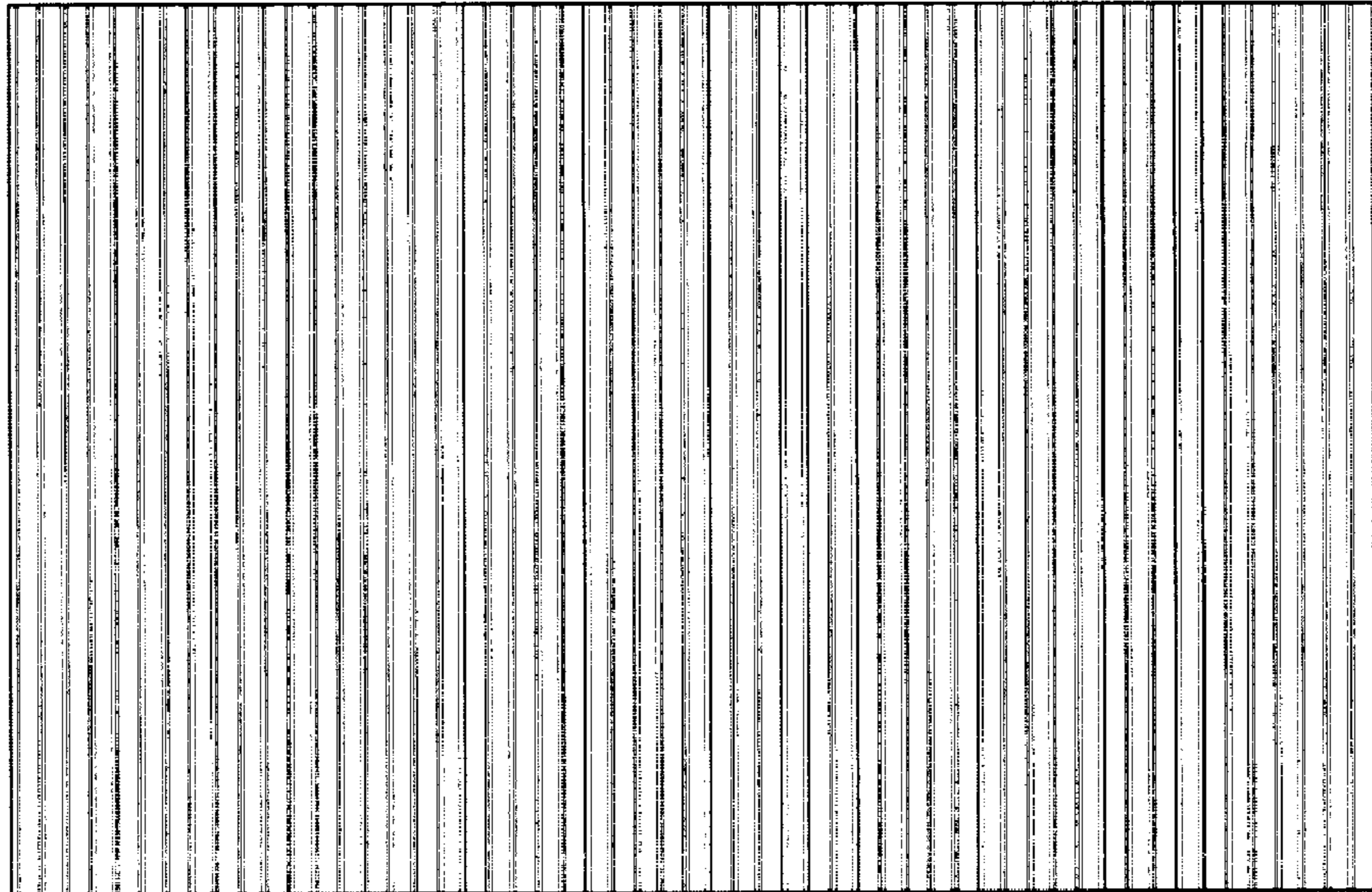


FIG. 4

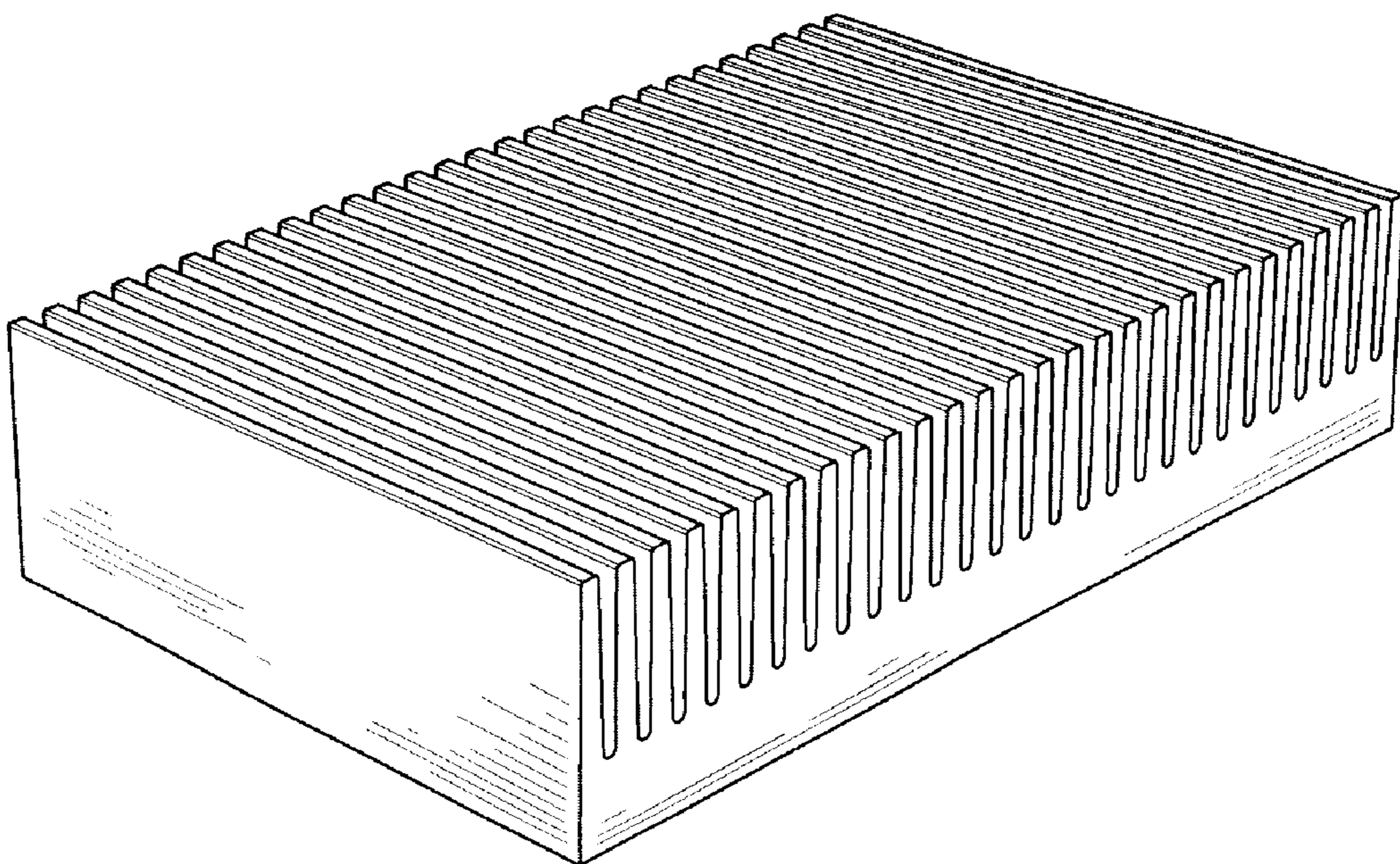


FIG. 5