



US00D510672S

(12) **United States Design Patent** (10) **Patent No.:** **US D510,672 S**  
**Farber et al.** (45) **Date of Patent:** **\*\* \*Oct. 18, 2005**

(54) **TABLE TOP**

D149,619 S 5/1948 Dahm  
2,472,722 A 6/1949 Newstead  
2,582,791 A 1/1952 Page  
2,609,627 A 9/1952 Delf et al.

(75) Inventors: **Robert Farber, Montreal (CA); Jason C. Farber, Montreal (CA)**

(Continued)

(73) Assignee: **GSC Technology Corporation, St. Jean (CA)**

**FOREIGN PATENT DOCUMENTS**

(\*) Notice: This patent is subject to a terminal disclaimer.

DE 33 39 903 A1 5/1985  
EP 0 153 045 A2 1/1985  
EP 0 193 201 A1 3/1986  
GB 2 215 191 A 9/1989

(\*\*) Term: **14 Years**

*Primary Examiner*—Janice E. Seeger  
(74) *Attorney, Agent, or Firm*—Cook, Alex, McFarron, Manzo, Cummings & Mehler, Ltd.

(21) Appl. No.: **29/198,140**

(22) Filed: **Jan. 26, 2004**

(57) **CLAIM**

(51) **LOC (8) Cl.** ..... **06-06**

(52) **U.S. Cl.** ..... **D6/511**

(58) **Field of Search** ..... D6/480–489, 511,  
D6/429, 422; 108/150, 153.1, 155, 156,  
157.1, 157.15, 159.12, 161, 27, 115, 117,  
118, 120; 312/140.2, 140.3

The ornamental design for a table top, as shown and described.

**DESCRIPTION**

(56) **References Cited**

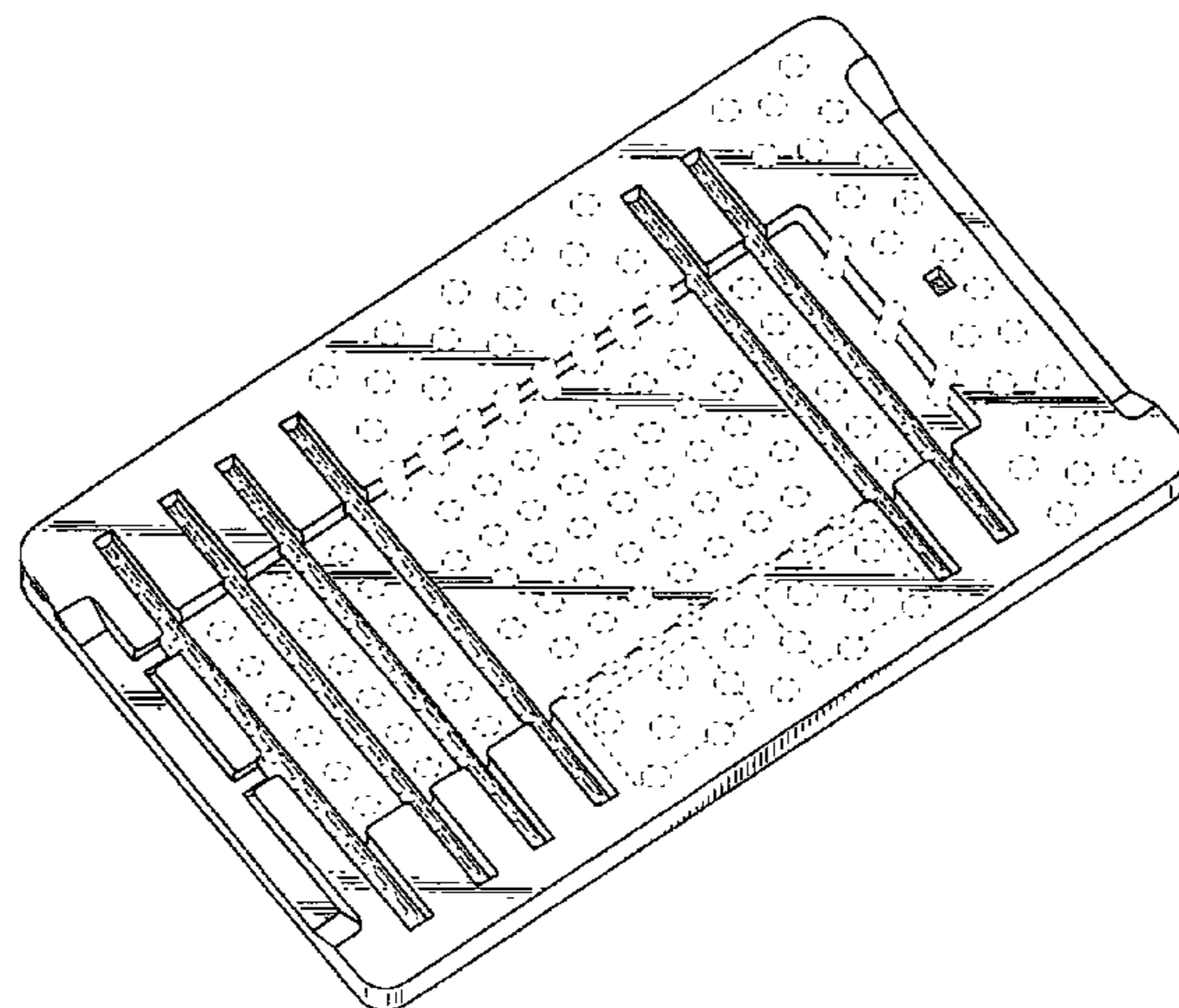
**U.S. PATENT DOCUMENTS**

152,691 A	6/1874	Samson
166,874 A	8/1875	Hood
200,057 A	2/1878	Hart
291,525 A	1/1884	Long
292,084 A	1/1884	Witt
313,632 A	3/1885	Stowell
349,627 A	9/1886	Blackmer
366,069 A	7/1887	Blackmer
981,114 A	1/1911	Ridgely
1,053,357 A	2/1913	Carter
1,062,434 A	5/1913	Brooks
1,190,984 A	7/1916	Clark
1,278,797 A	9/1918	Broyles
1,391,755 A	9/1921	Boysen
1,593,835 A	7/1926	McNeal et al.
1,942,190 A	1/1934	Smullin
2,106,309 A	1/1938	Sweeney
D145,965 S	11/1946	Baker
2,432,192 A	12/1947	Guadette

FIG. 1 is a front perspective view of the bottom of a table top of our new design;  
FIG. 2 is a top view of the table top shown in FIG. 1;  
FIG. 3 is a bottom view of the table top shown in FIG. 1;  
FIG. 4 is a front view of the table top shown in FIG. 1;  
FIG. 5 is a rear view of the table top shown in FIG. 1;  
FIG. 6 is a left side view of the table top shown in FIG. 1;  
FIG. 7 is a right side view of the table top shown in FIG. 1;  
FIG. 8 is a front perspective view of the bottom of a table top of a second embodiment of our new design;  
FIG. 9 is a top view of the table top shown in FIG. 1;  
FIG. 10 is a bottom view of the table top shown in FIG. 1;  
FIG. 11 is a front view of the table top shown in FIG. 1;  
FIG. 12 is a rear view of the table top shown in FIG. 1;  
FIG. 13 is a left side view of the table top shown in FIG. 1;  
and,  
FIG. 14 is a right side view of the table top shown in FIG. 1.

The broken lines in the drawings are for illustrative purposes only and form no part of the invention.

**1 Claim, 6 Drawing Sheets**



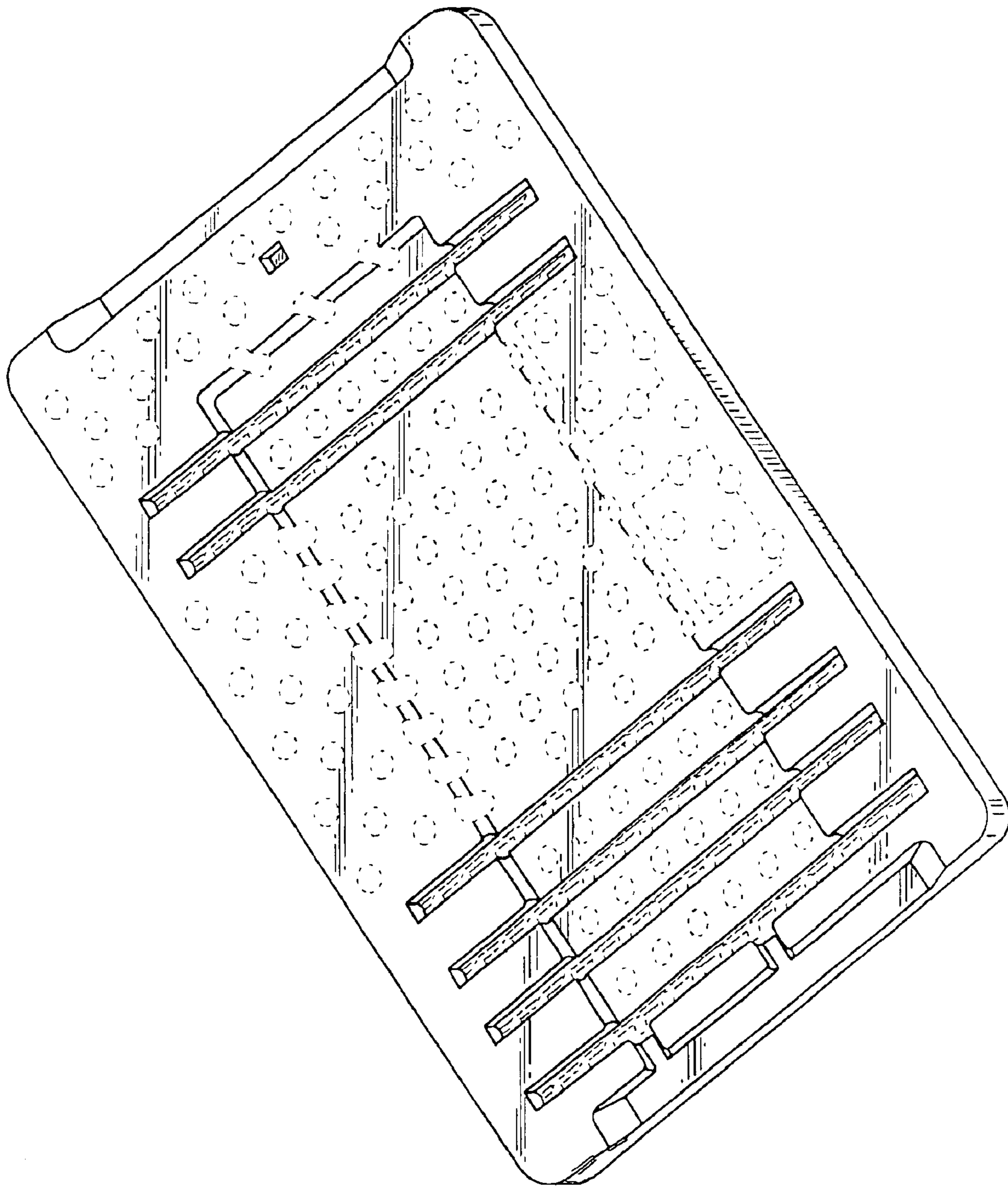
# US D510,672 S

## U.S. PATENT DOCUMENTS

2,624,469 A	1/1953	Cadwell	5,644,994 A	7/1997	Liang et al.
2,673,773 A	3/1954	Dusenbury	5,678,491 A	10/1997	Price et al.
2,678,858 A	5/1954	Davis	5,694,865 A	12/1997	Raab
2,683,944 A	7/1954	Kiel	D391,788 S	3/1998	Hutton
2,733,971 A	2/1956	House	D392,812 S	3/1998	Hicks
2,802,578 A	8/1957	Barile	5,732,637 A	3/1998	Raab
2,977,169 A	3/1961	Geller	D399,684 S	10/1998	Glass
3,025,119 A	3/1962	Lucier	5,823,121 A	10/1998	Reiter
3,185,113 A	5/1965	Nathan et al.	5,829,365 A	11/1998	Cheng et al.
3,199,472 A	8/1965	Steiniceanu	D402,830 S	12/1998	Chalmers
3,298,328 A	1/1967	Hoodis	D403,182 S	12/1998	Fu
3,393,649 A	7/1968	Miotke	D403,183 S	12/1998	Lewis
3,401,653 A	9/1968	Knoblock	5,868,081 A	2/1999	Raab
3,491,705 A	1/1970	Blanke	5,947,037 A	9/1999	Hornberger et al.
D219,080 S	10/1970	Zellner	D416,148 S	11/1999	Pagnon et al.
3,680,942 A	8/1972	Davis	6,058,854 A	5/2000	Tarnay et al.
D226,603 S	4/1973	Knighten	6,089,667 A	7/2000	Hobbs
3,738,286 A	6/1973	Hoffman	6,112,674 A	9/2000	Stanford
3,742,871 A	7/1973	Kienel	D438,033 S	2/2001	Schultz
D229,999 S	1/1974	Blazey	D440,080 S	4/2001	Suzuki
D230,232 S	2/1974	Howard	D443,442 S	6/2001	Hutton
3,967,562 A	7/1976	Anacker	6,247,772 B1	6/2001	Tuttle et al.
D243,376 S	2/1977	Scott	D444,650 S	7/2001	Jeup
D243,983 S	4/1977	Carter	D449,184 S	10/2001	Cain
4,122,780 A	10/1978	Brickman	6,371,034 B1	4/2002	Simpson et al.
D252,431 S	7/1979	Pfister	6,431,092 B1	8/2002	Stanford
D252,659 S	8/1979	Brickman	D463,687 S	10/2002	Goodworth
4,168,669 A	9/1979	Arnoff	D468,135 S	1/2003	Ashby et al.
D256,532 S	8/1980	Aulenti	6,508,184 B1	1/2003	Winter et al.
4,311,099 A	1/1982	Roberts	D469,994 S	2/2003	Smith
D266,218 S	9/1982	Hodson	D469,996 S	2/2003	Ashby
D273,448 S	4/1984	Colquhoun	D470,352 S *	2/2003	Strong ..... D6/511
D288,513 S	3/1987	Shelly	6,520,094 B2 *	2/2003	Wen ..... 108/132
D294,318 S	2/1988	Zapf	6,530,331 B2	3/2003	Stanford
4,850,282 A	7/1989	Postic	6,550,404 B2	4/2003	Stanford
4,951,576 A	8/1990	Cobos et al.	6,550,728 B1	4/2003	Fuhrman
D315,073 S	3/1991	Goetz	6,615,743 B2	9/2003	Nien
D327,592 S	7/1992	Kerem	6,622,644 B2	9/2003	Buono
5,271,338 A	12/1993	Bonham	D481,559 S	11/2003	Weaver
5,353,715 A	10/1994	Luyk	6,732,663 B2 *	5/2004	Tsai ..... 108/132
5,443,020 A	8/1995	Price	D493,989 S *	8/2004	Farber et al. .... D6/511
5,445,085 A	8/1995	Westerburgen	6,772,700 B2 *	8/2004	Wong ..... 108/133
5,584,254 A	12/1996	Williams	D497,500 S	10/2004	Farber et al.

\* cited by examiner

Fig. 1



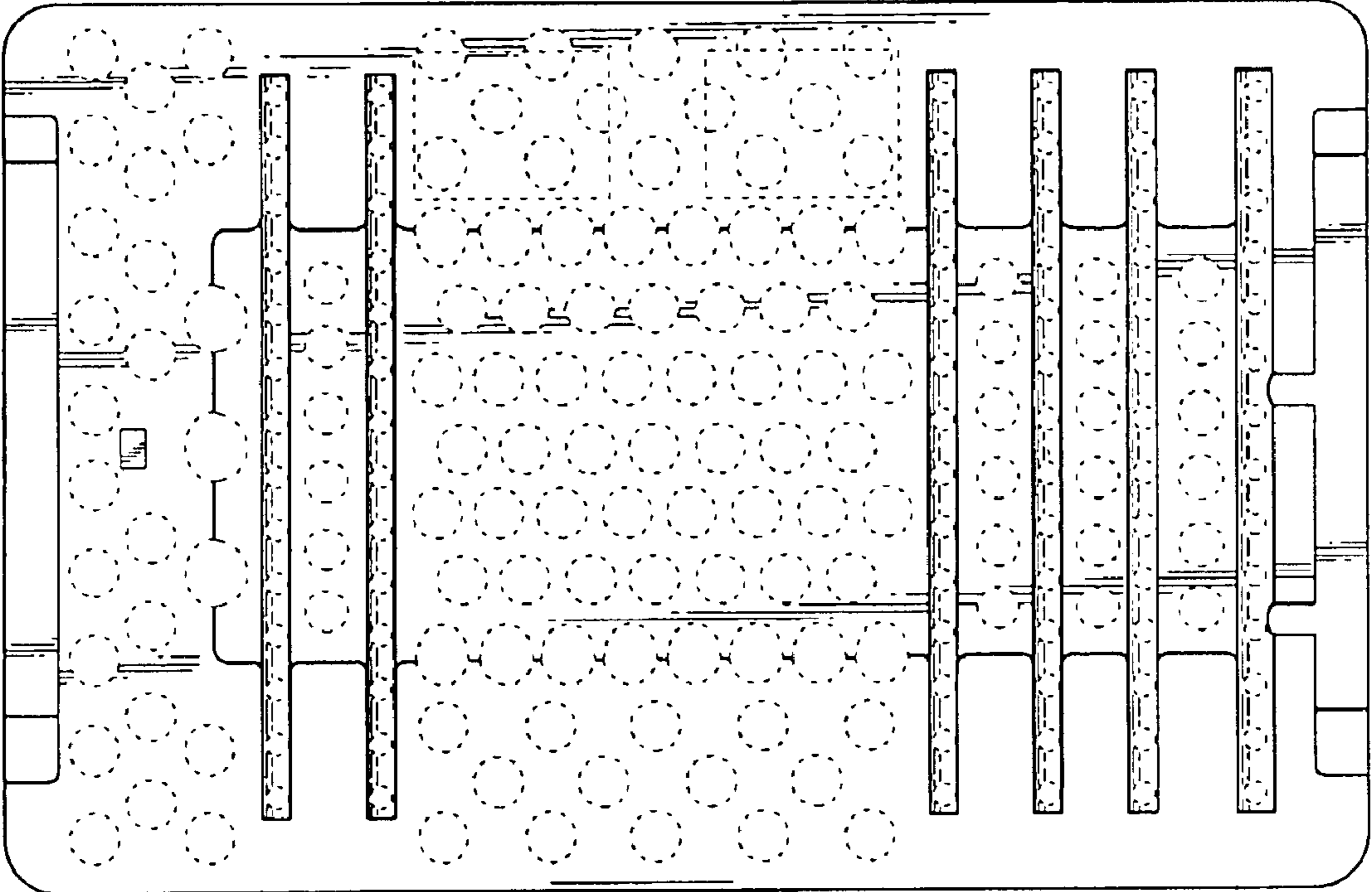


Fig. 2

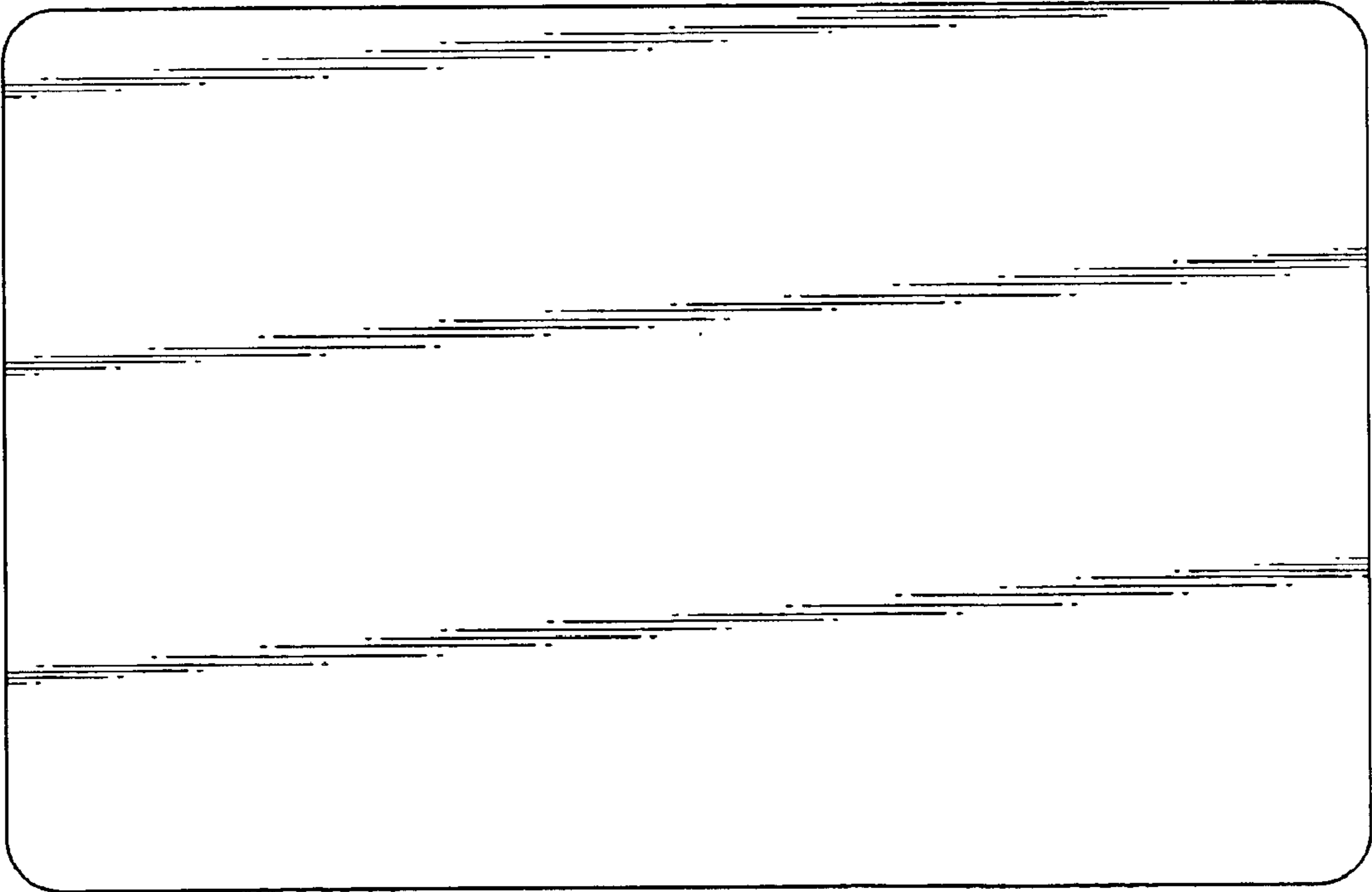


Fig. 3



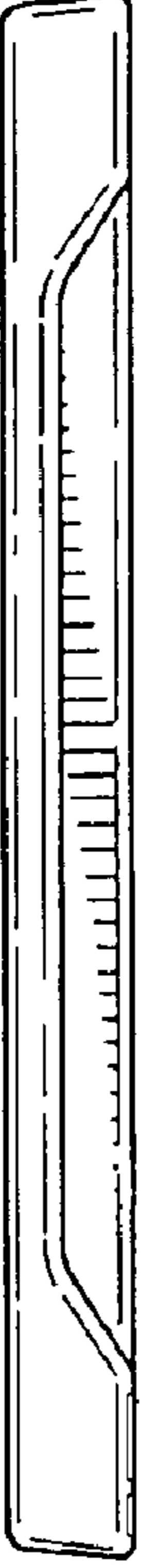
*Fig. 4*



*Fig. 5*

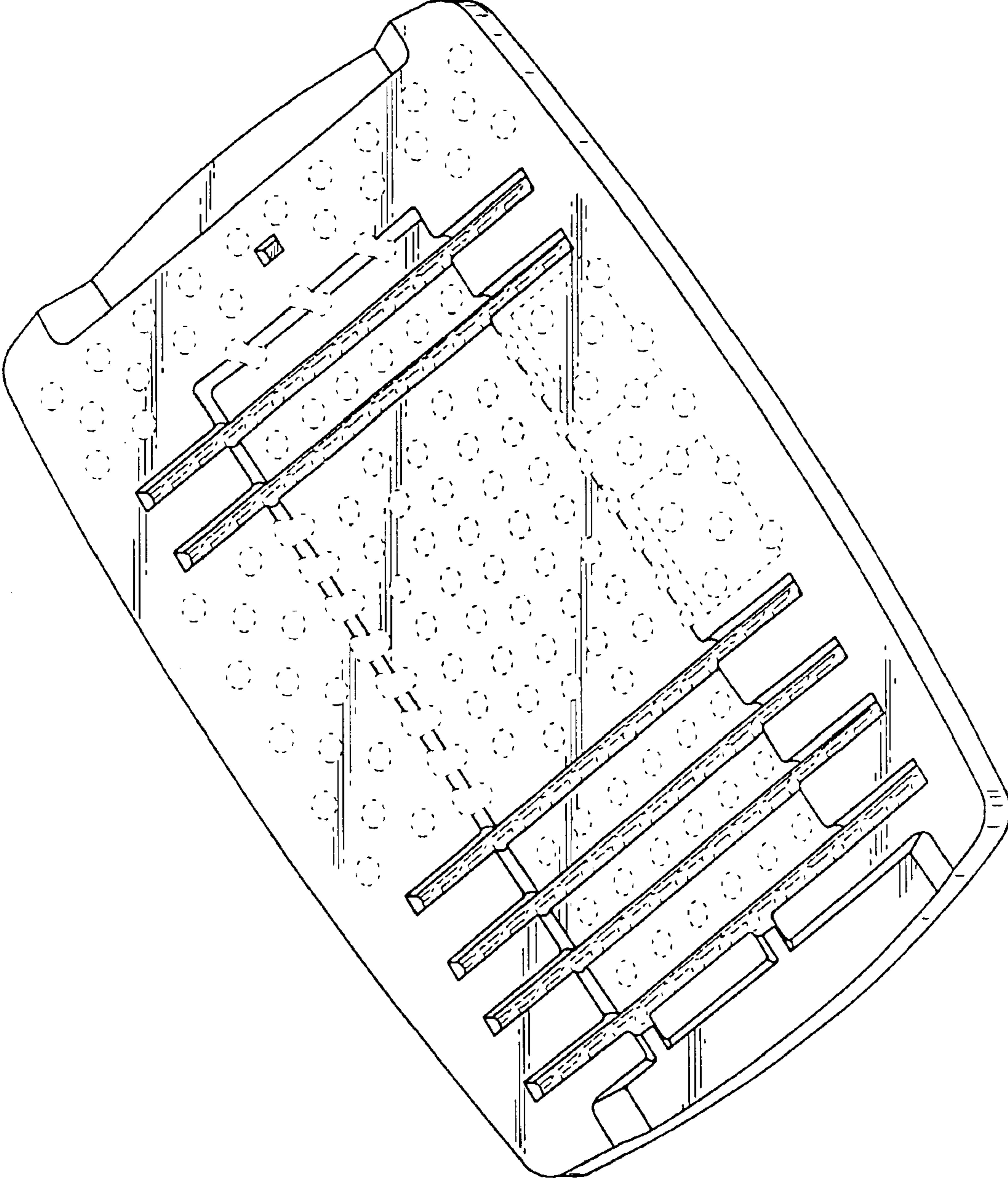


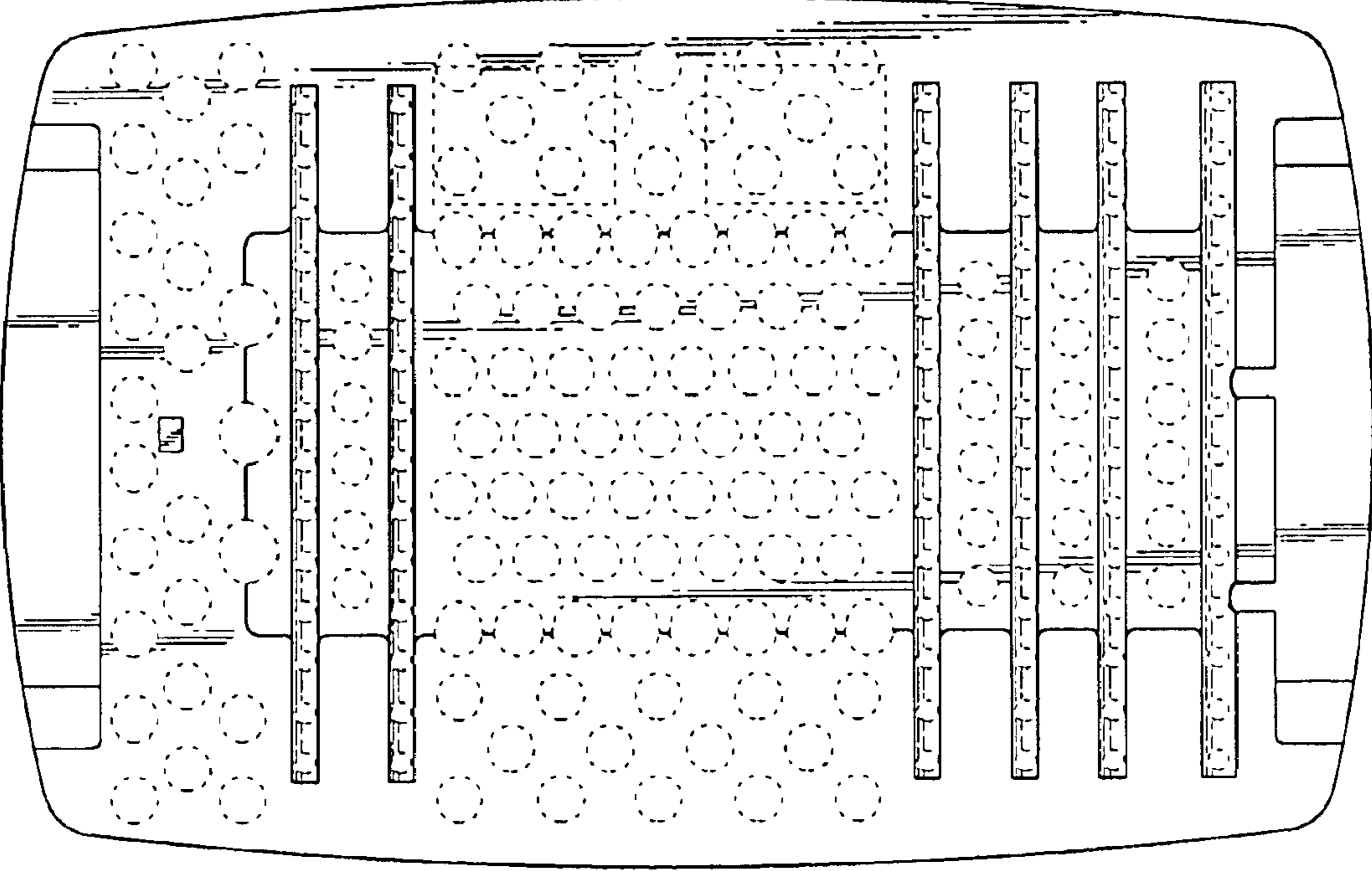
*Fig. 6*



*Fig. 7*

Fig. 8

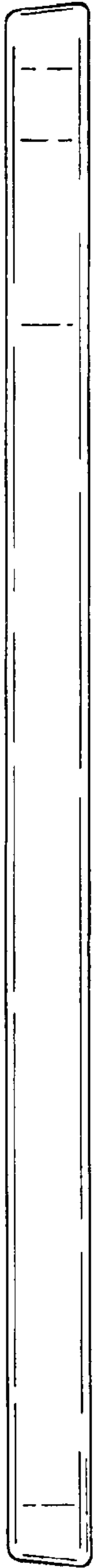




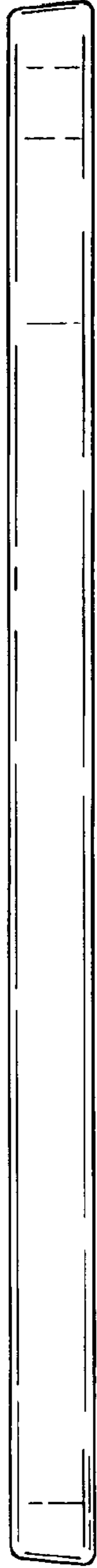
*Fig. 9*



*Fig. 10*



*Fig. 11*



*Fig. 12*



*Fig. 13*



*Fig. 14*