



US00D510671S

(12) **United States Design Patent**
Wu

(10) **Patent No.:** **US D510,671 S**
(45) **Date of Patent:** **** Oct. 18, 2005**

- (54) **BACKREST FRAME OF A CHAIR**
- (76) Inventor: **Yao-Chuan Wu**, 58, Ma Yuan West St., Taichung (TW)
- (**) Term: **14 Years**
- (21) Appl. No.: **29/194,716**
- (22) Filed: **Nov. 25, 2003**
- (51) **LOC (8) Cl.** **06-01**
- (52) **U.S. Cl.** **D6/502; D6/366**
- (58) **Field of Search** D6/334, 335, 364-367, D6/380, 500-502; 297/411.2, 452.2, 452.18

D497,264 S * 10/2004 Aubriet et al. D6/366

* cited by examiner

Primary Examiner—Gary D. Watson
(74) *Attorney, Agent, or Firm*—Alan D. Kamrath; Nikolai & Mersereau, P.A.

(57) **CLAIM**

The ornamental design for a backrest frame of a chair, as shown and described.

DESCRIPTION

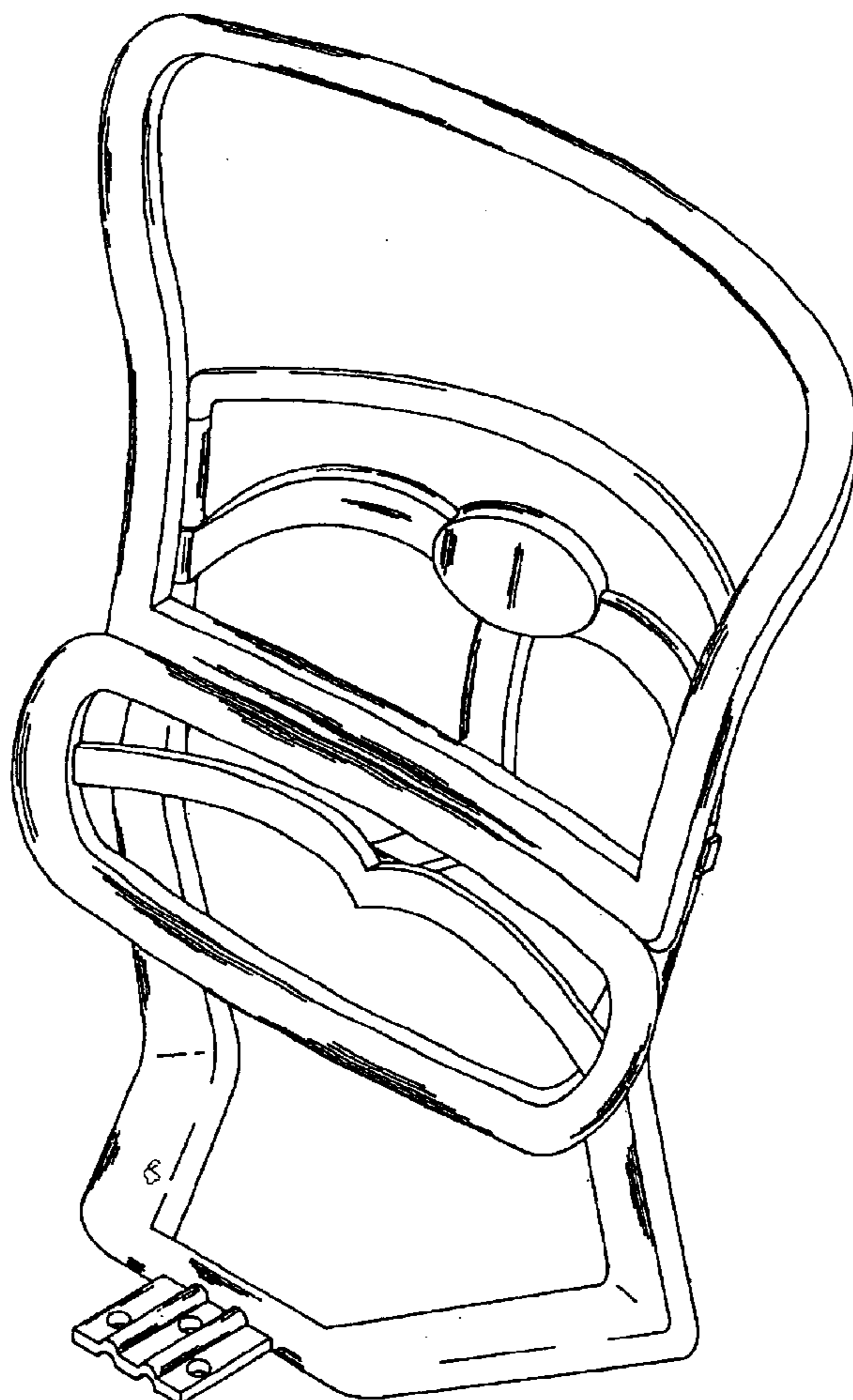
FIG. 1 is a perspective view of a backrest frame of a chair showing my design;
FIG. 2 is a front elevational view thereof;
FIG. 3 is a rear elevational view thereof;
FIG. 4 is a left side elevational view thereof;
FIG. 5 is a right side elevational view thereof;
FIG. 6 is a top plan view thereof; and,
FIG. 7 is a bottom plan view thereof.

(56) **References Cited**

U.S. PATENT DOCUMENTS

- D453,079 S * 1/2002 Ma D6/366
- D477,151 S * 7/2003 Koepke et al. D6/366
- D489,191 S * 5/2004 Ma D6/366
- D493,627 S * 8/2004 Ma D6/366
- D494,768 S * 8/2004 Su D6/366
- D495,509 S * 9/2004 Breen D6/366

1 Claim, 7 Drawing Sheets



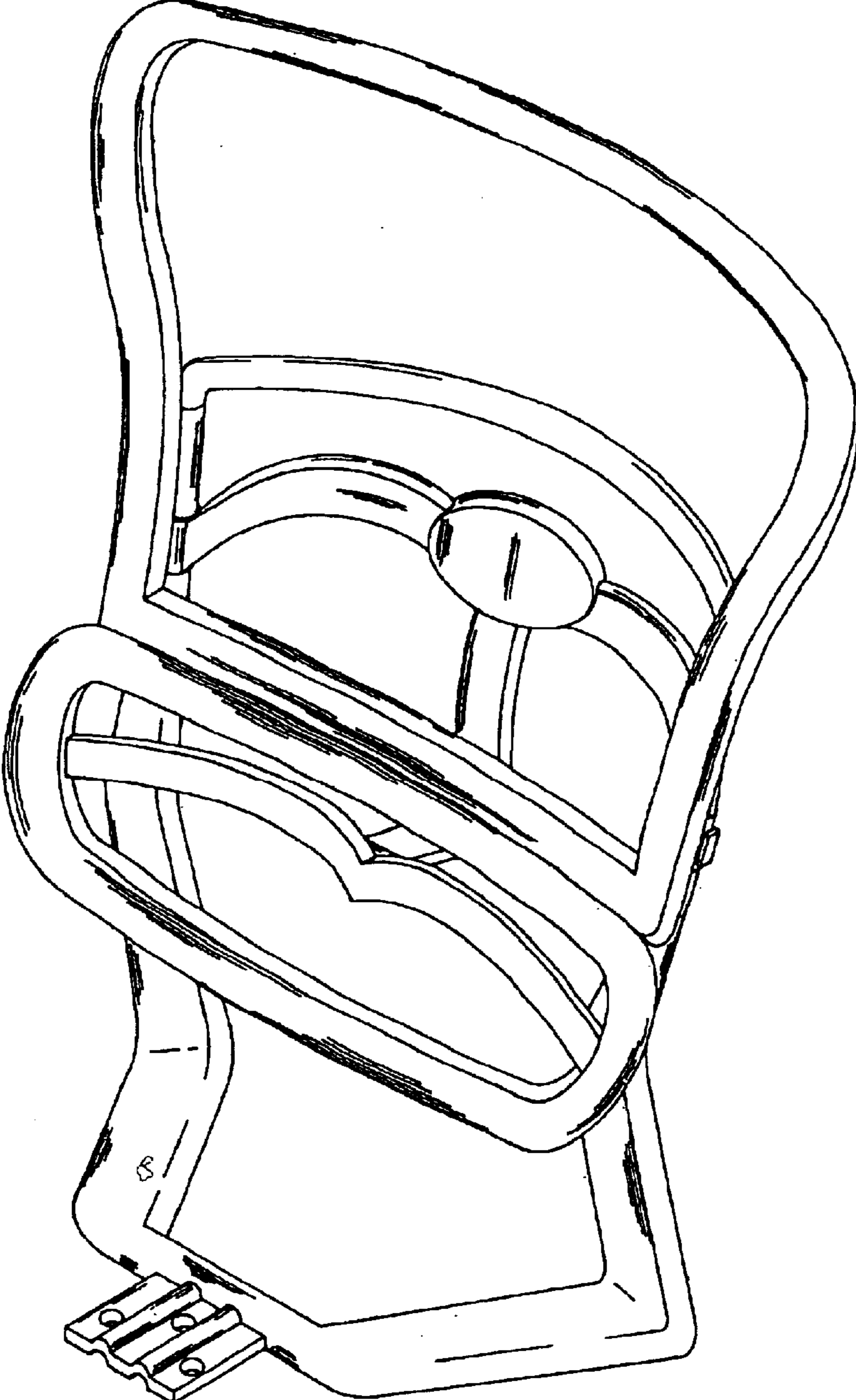


FIG. 1

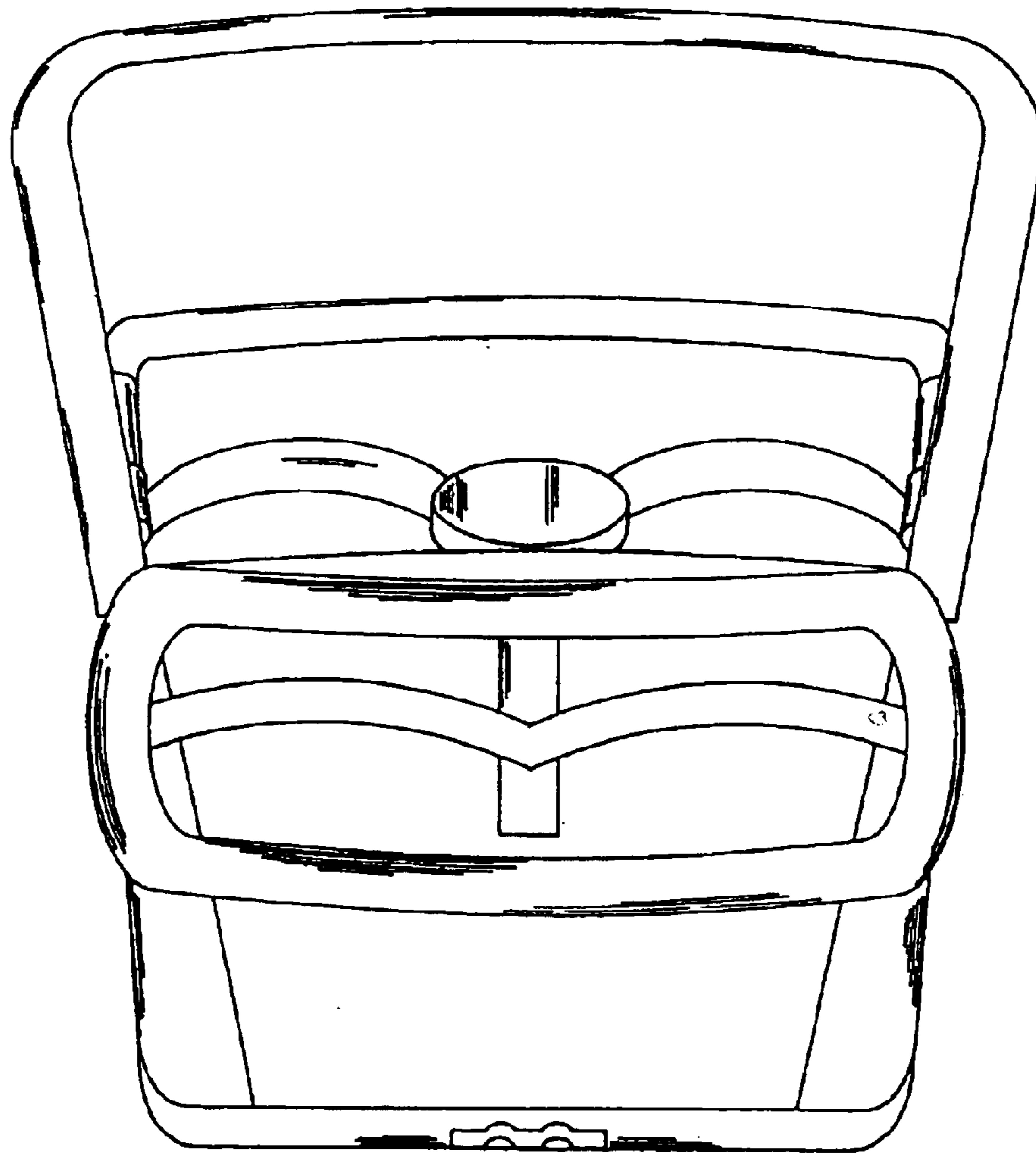


FIG. 2

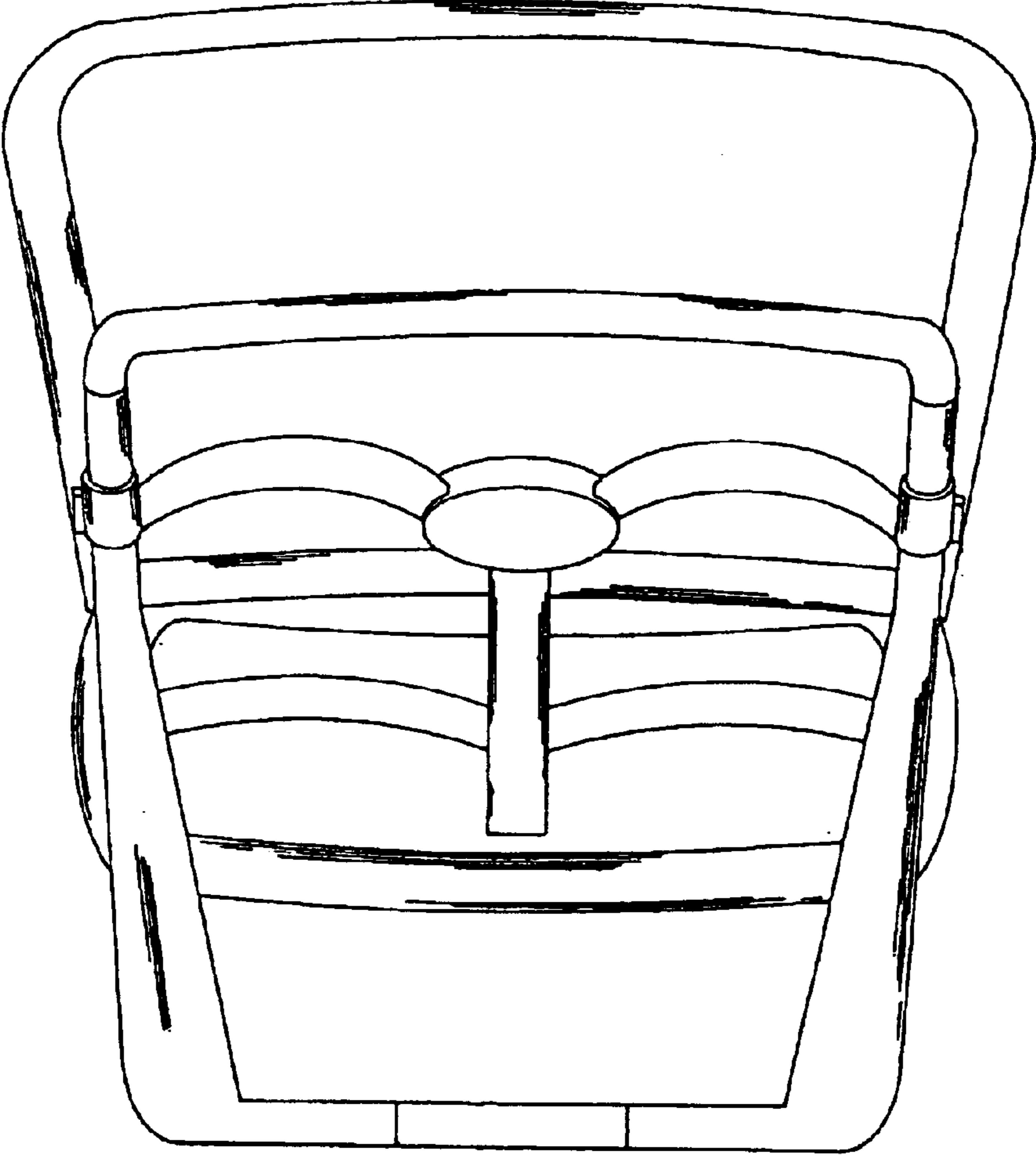


FIG. 3

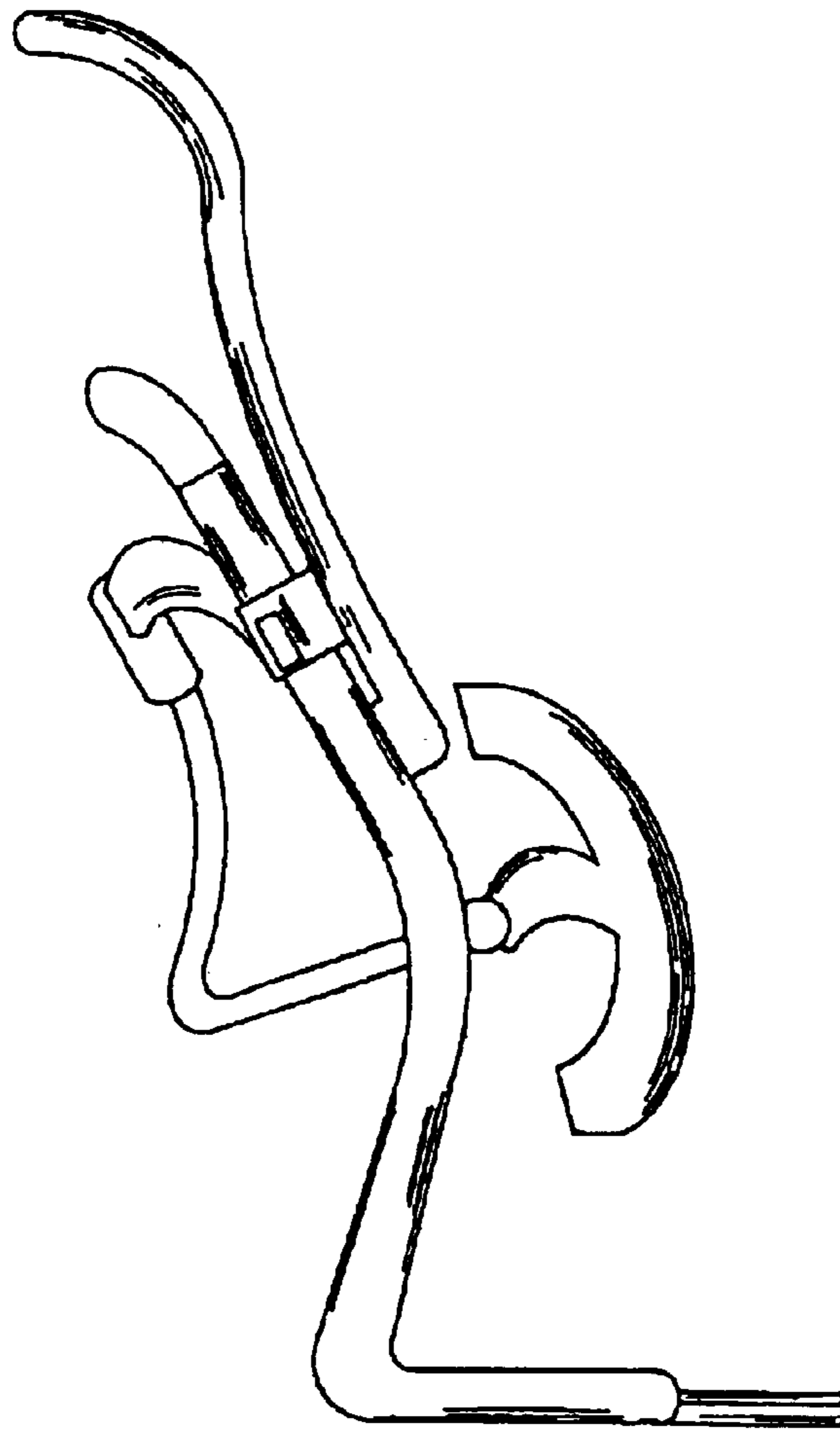


FIG. 4

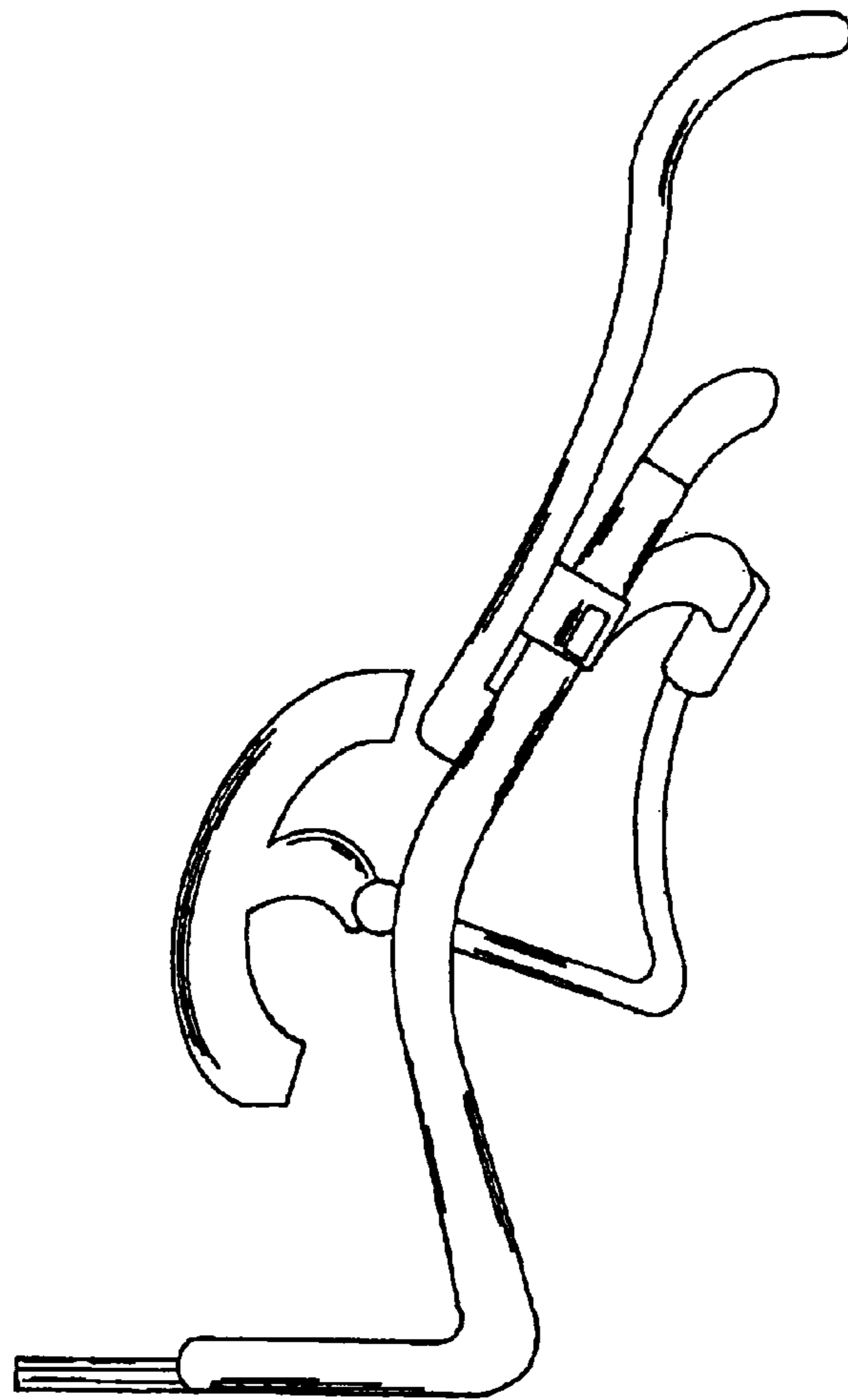


FIG. 5

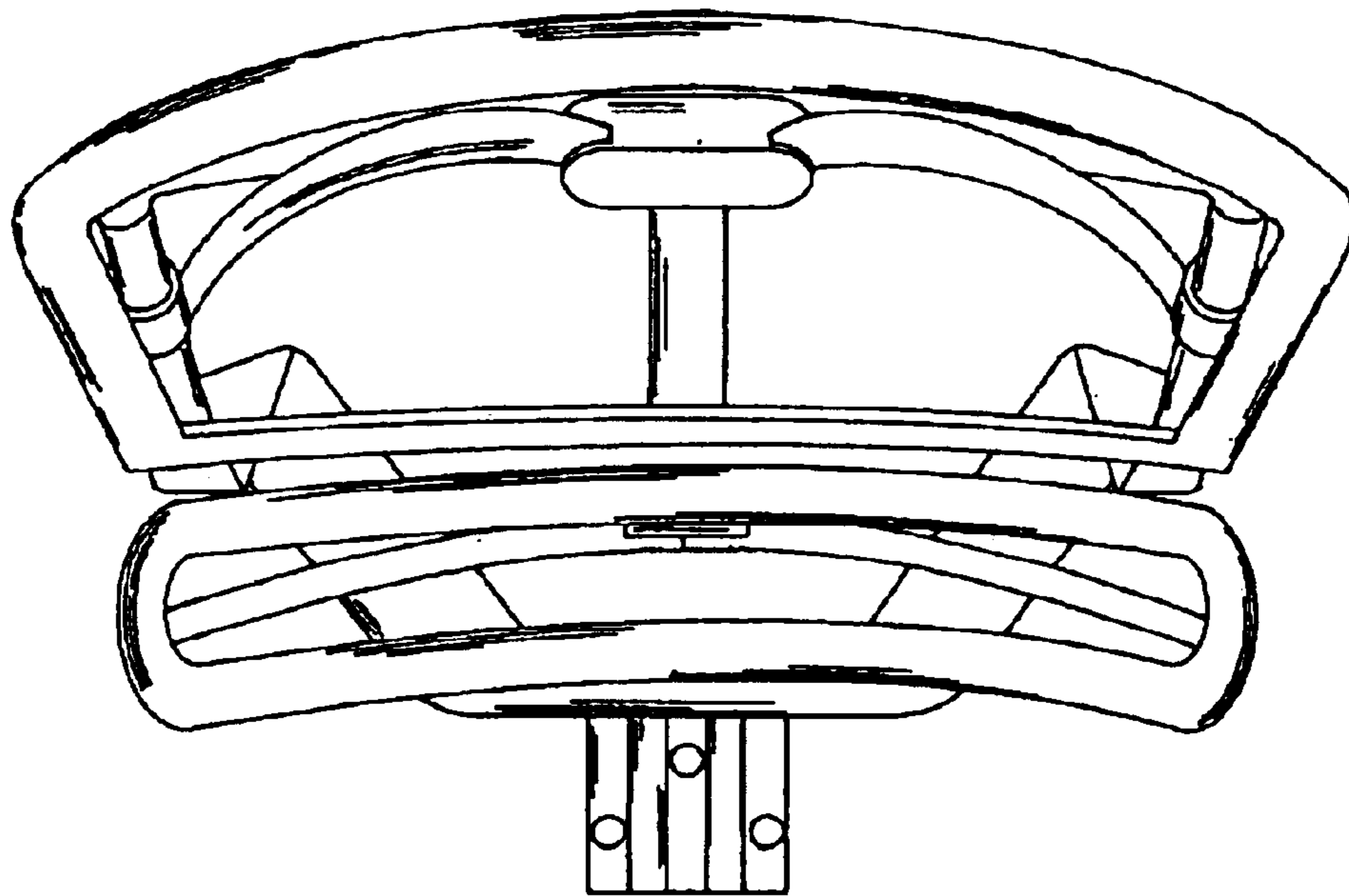


FIG. 6

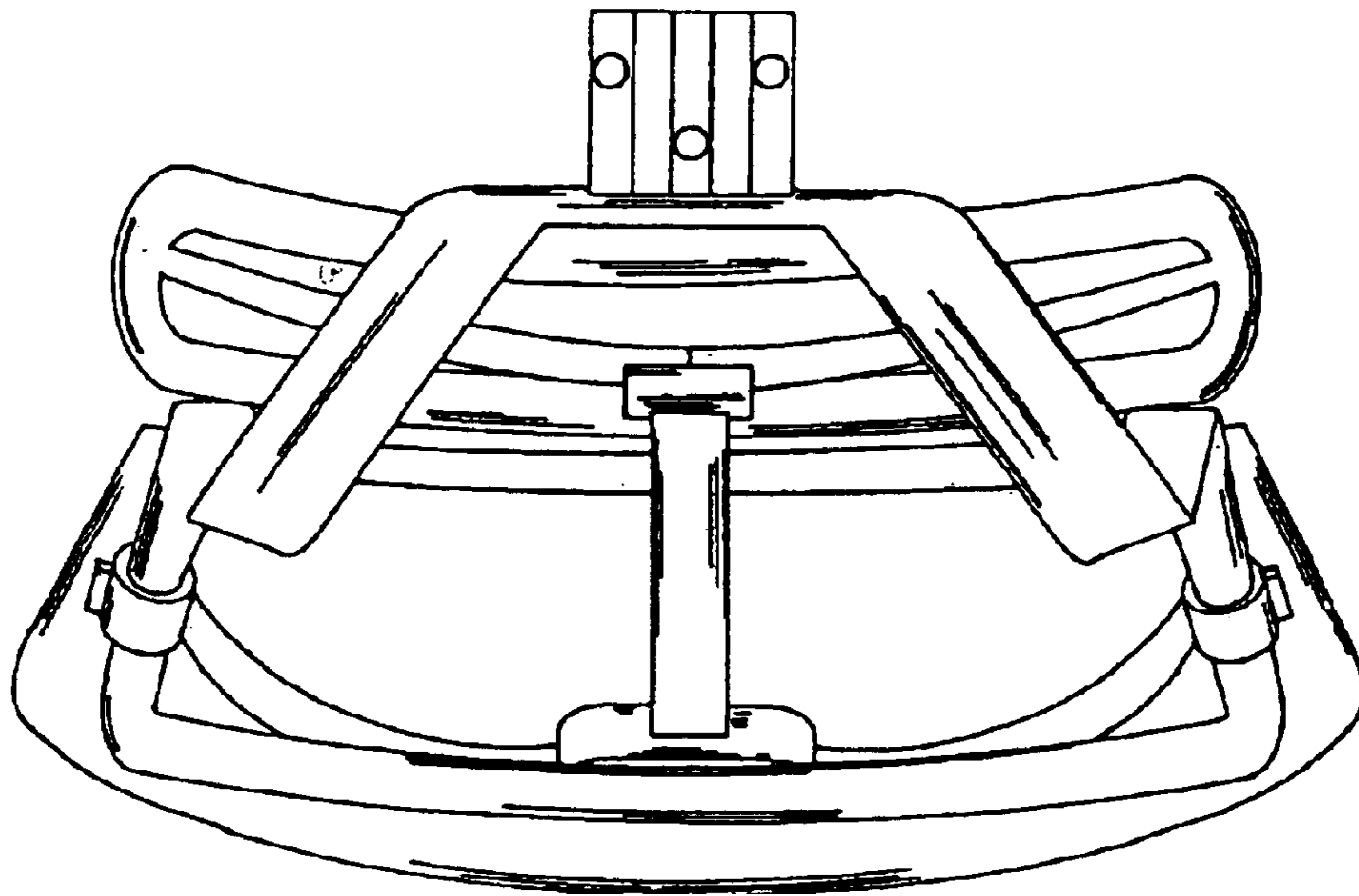


FIG. 7