



US00D510659S

(12) **United States Design Patent** (10) **Patent No.:** **US D510,659 S**
Goradesky (45) **Date of Patent:** **** Oct. 18, 2005**

(54) **SWIVEL BELT CLIP FOR CELLULAR TELEPHONE**

6,283,348 B1 9/2001 Wang 224/271
 D478,418 S 8/2003 Badillo et al. D3/218
 2003/0098323 A1 5/2003 Taylor et al. 224/197
 2004/0069821 A1 4/2004 Kobayashi 224/271

(75) Inventor: **Harold A. Goradesky**, Fort Lauderdale, FL (US)

Primary Examiner—Catherine R. Oliver

(73) Assignee: **A. G. Findings & Mfg. Co., Inc.**, Sunrise, FL (US)

(74) *Attorney, Agent, or Firm*—Robert C. Kain, Jr.; Fleit Kain

(**) Term: **14 Years**

(57) **CLAIM**

(21) Appl. No.: **29/212,935**

I claim the ornamental design for swivel belt clip for cellular telephone, as shown.

(22) Filed: **Sep. 10, 2004**

DESCRIPTION

Related U.S. Application Data

(62) Division of application No. 29/193,809, filed on Nov. 14, 2003.

FIG. 1 is a top-left perspective view of the swivel belt clip. FIG. 2 is a rear-left perspective view of the swivel belt clip. FIG. 3 is a bottom-right perspective view of the swivel belt clip.

(51) **LOC (8) Cl.** **03-01**

FIG. 4 is a top view of the swivel belt clip.

(52) **U.S. Cl.** **D3/218**

FIG. 5 is a bottom view of the swivel belt clip.

(58) **Field of Search** D3/218, 215, 219, D3/224, 226, 228; 224/240, 268–271, 197, 930; 24/3.11, 3.12, 3.13

FIG. 6 is a left side view of the swivel belt clip.

FIG. 7 is a right side view of the swivel belt clip.

FIG. 8 is the rear elevational view of the swivel belt clip; and,

(56) **References Cited**

FIG. 9 is front elevational view of the swivel belt clip with rotation stop.

U.S. PATENT DOCUMENTS

5,730,342 A 3/1998 Tien 224/271

1 Claim, 3 Drawing Sheets

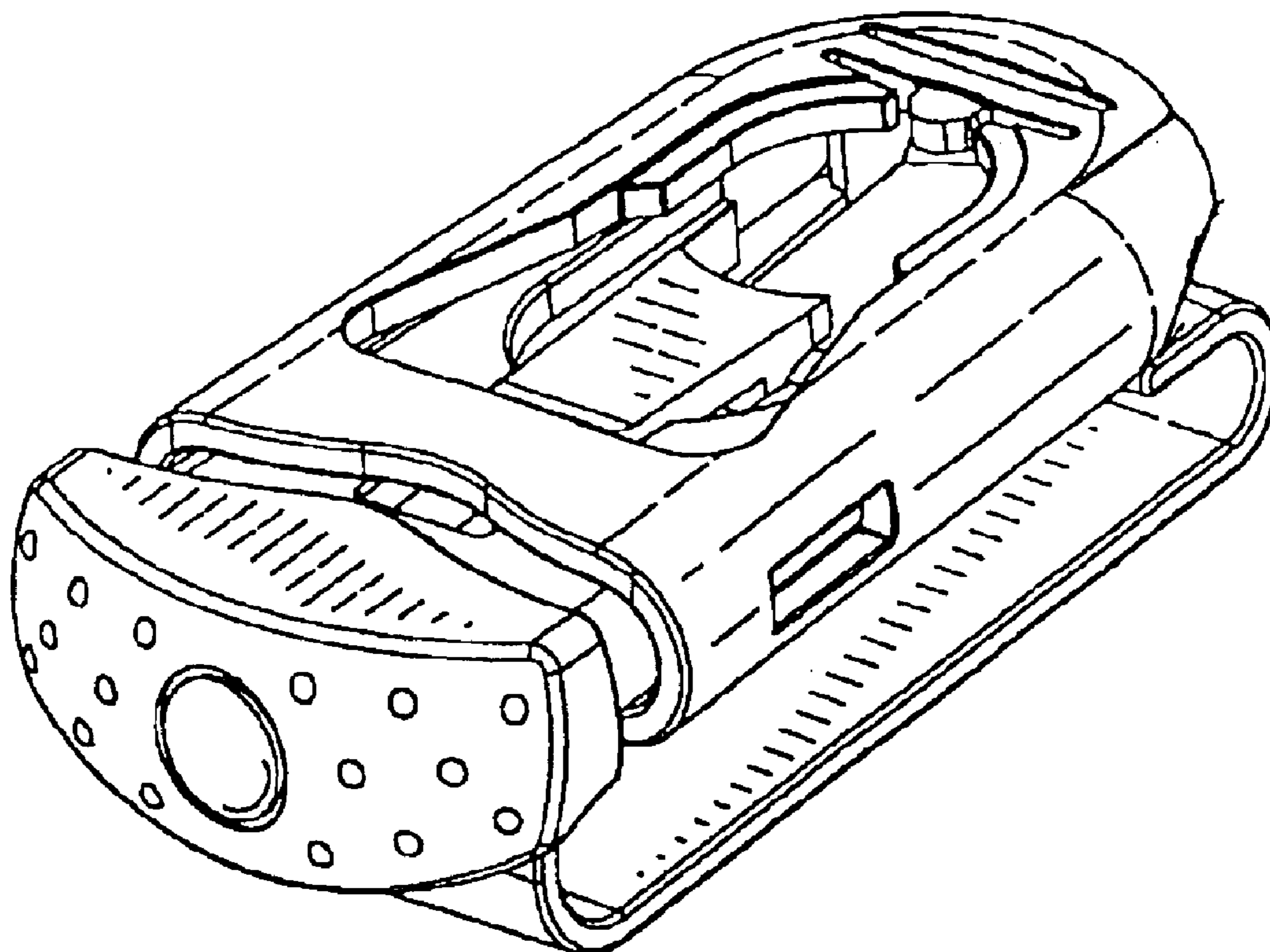


FIG. 2

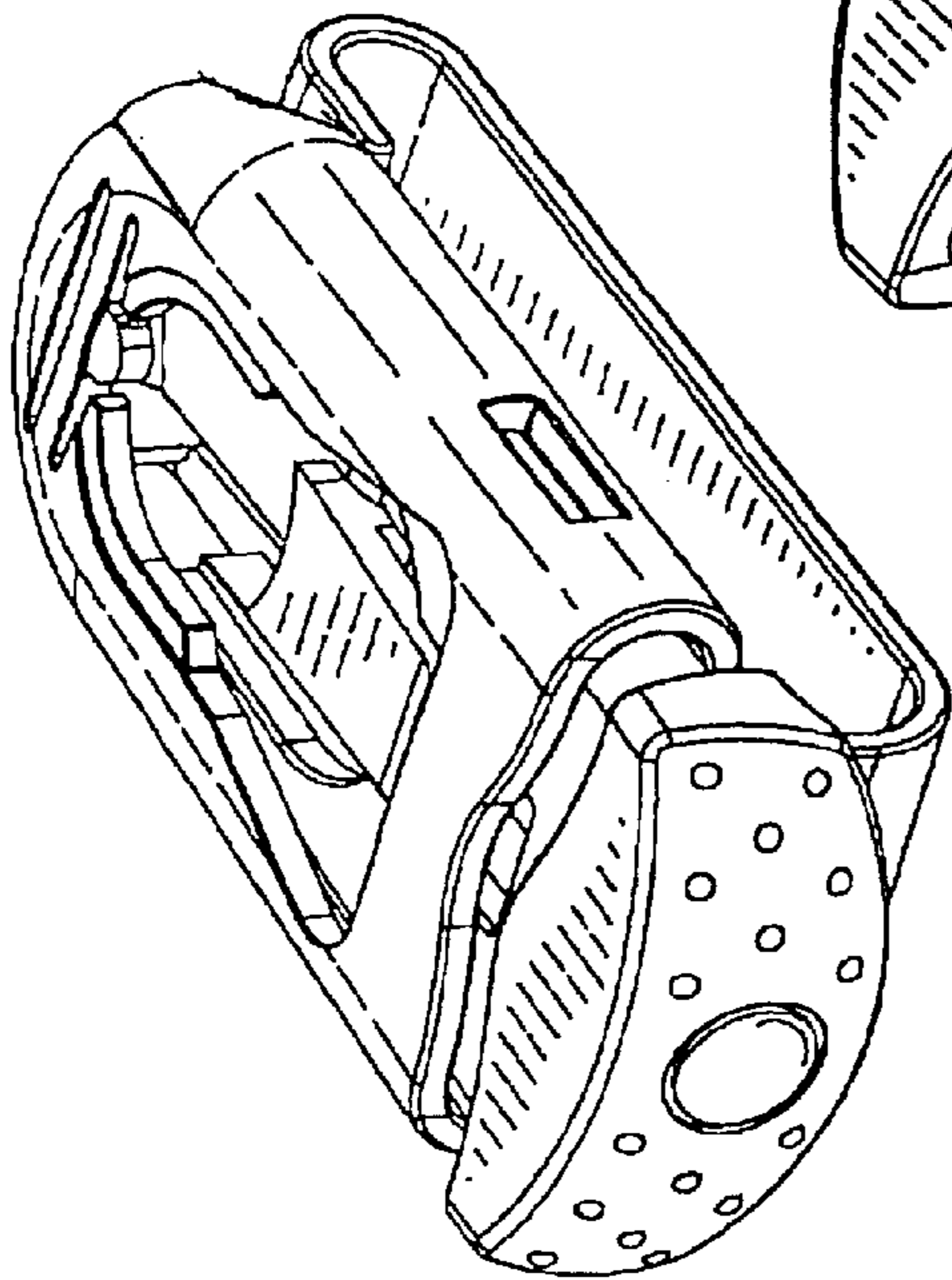
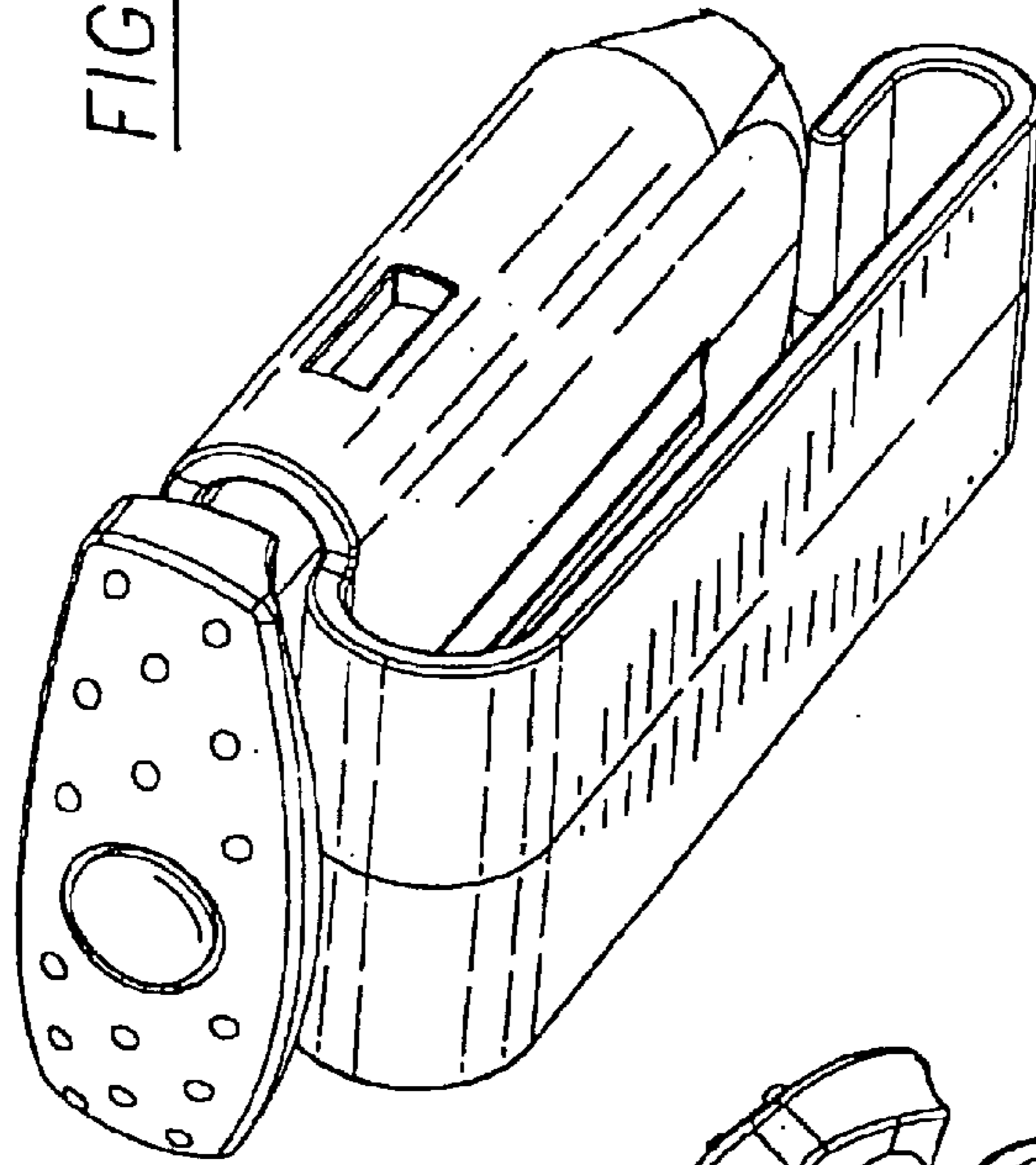


FIG. 1

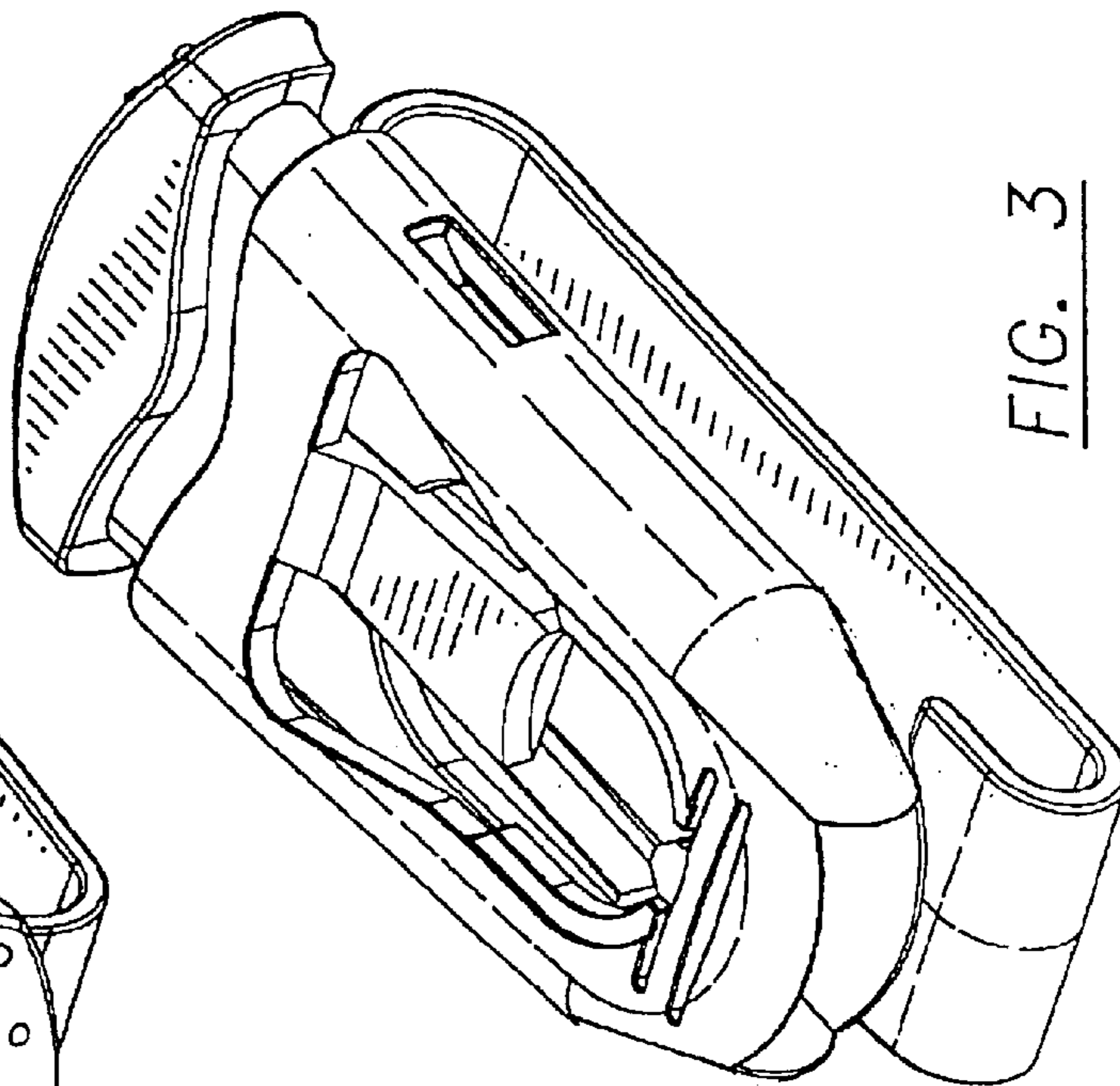


FIG. 3

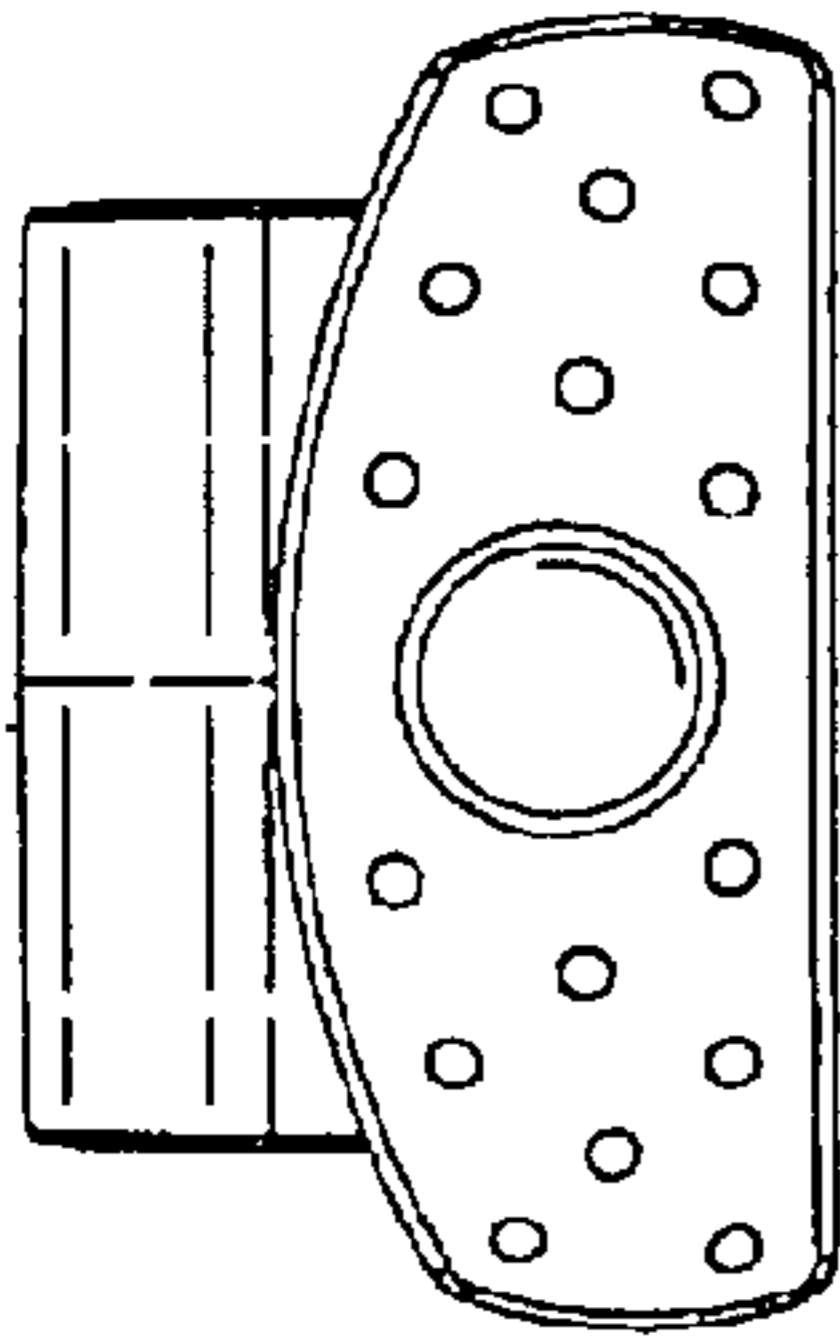


FIG. 4

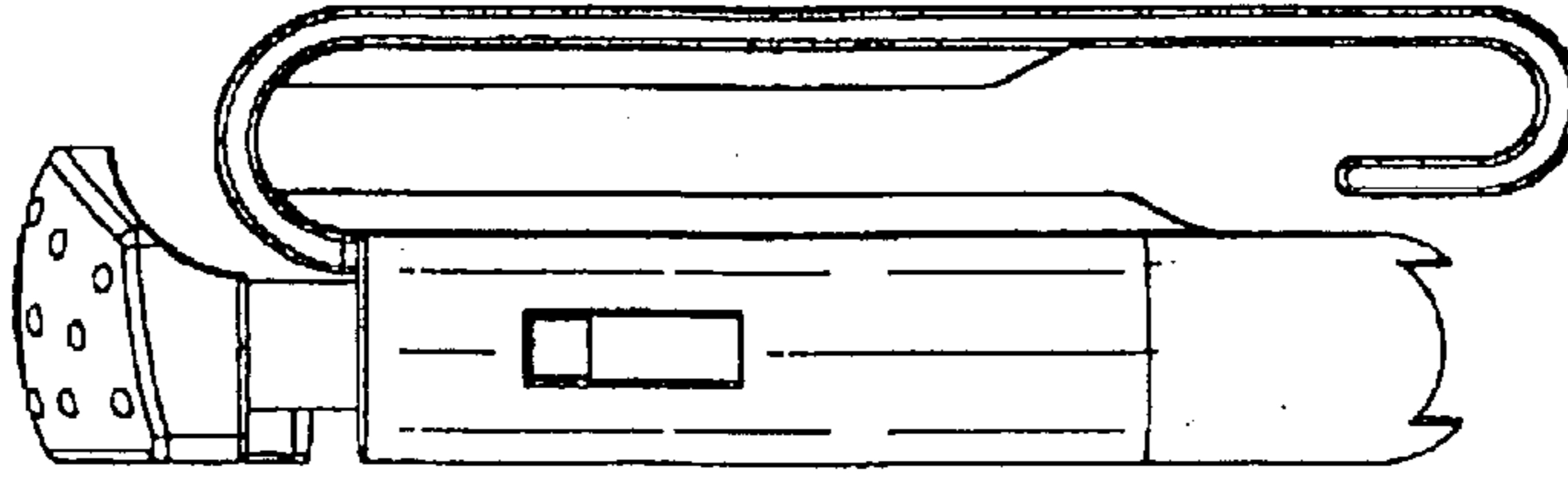


FIG. 7

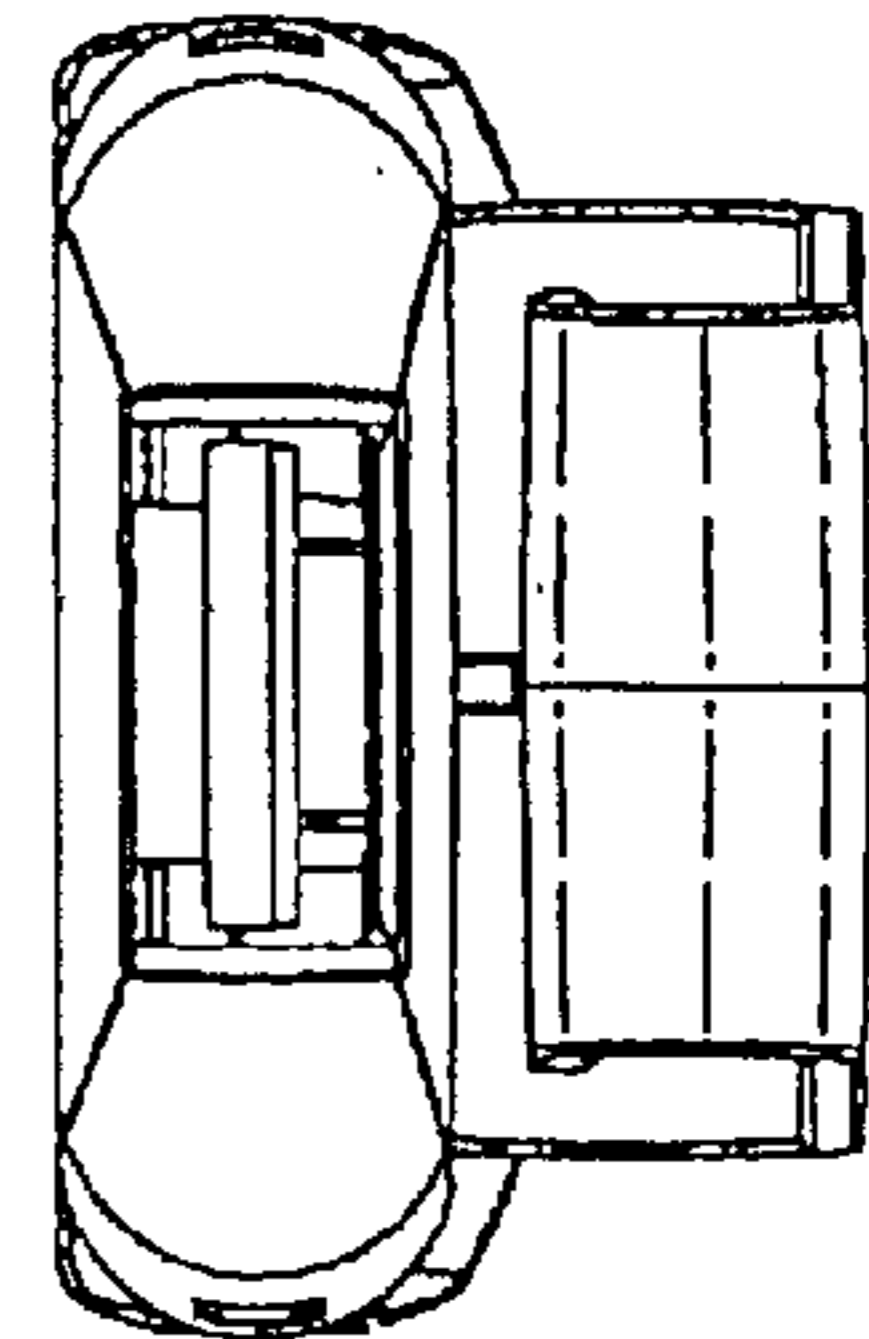


FIG. 5

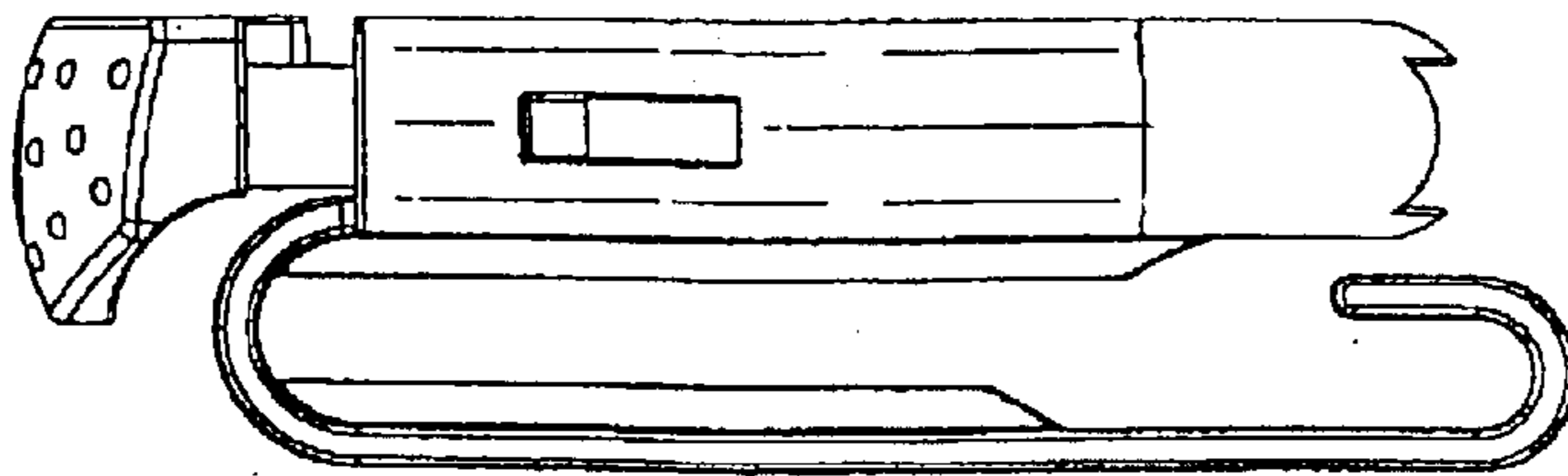


FIG. 6

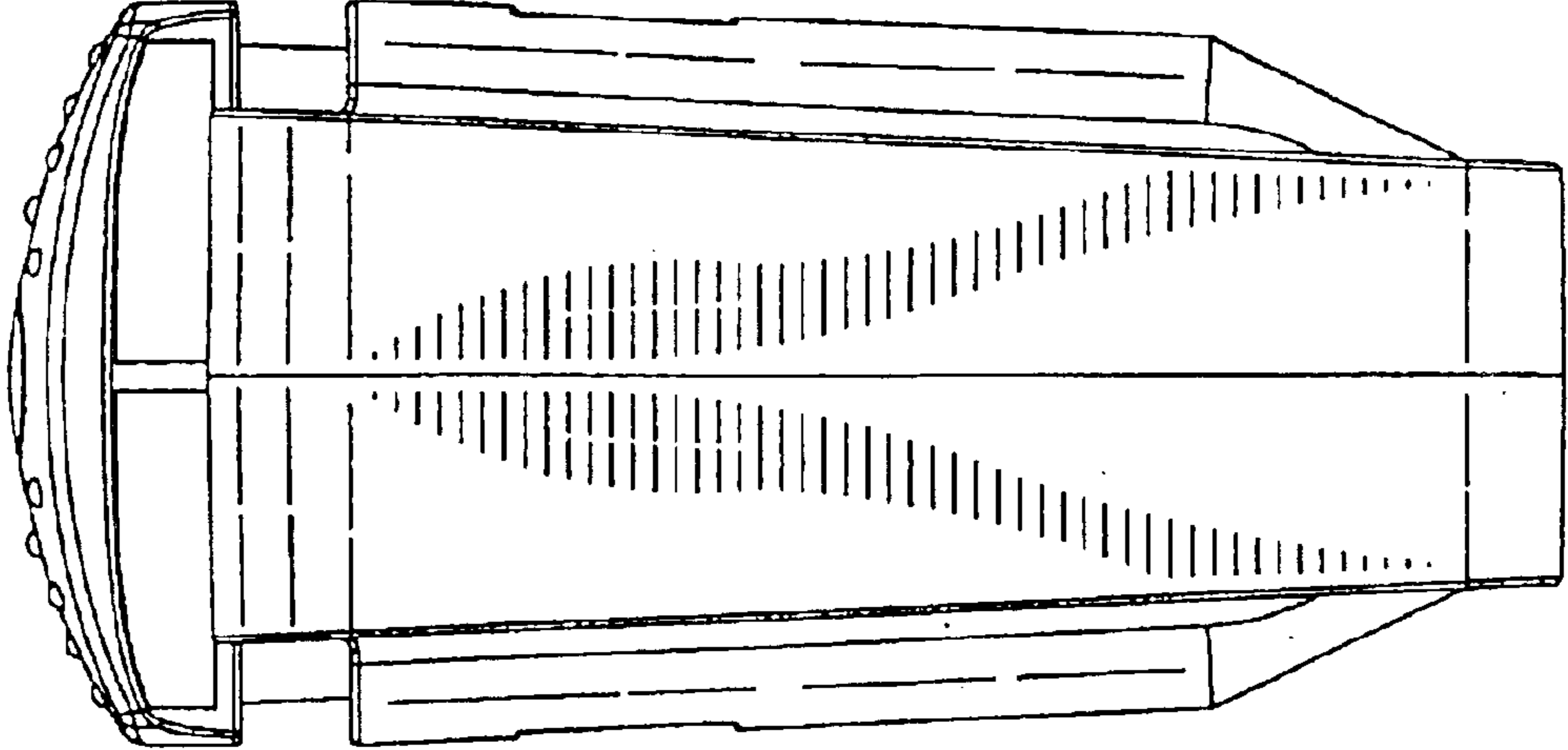


FIG. 8

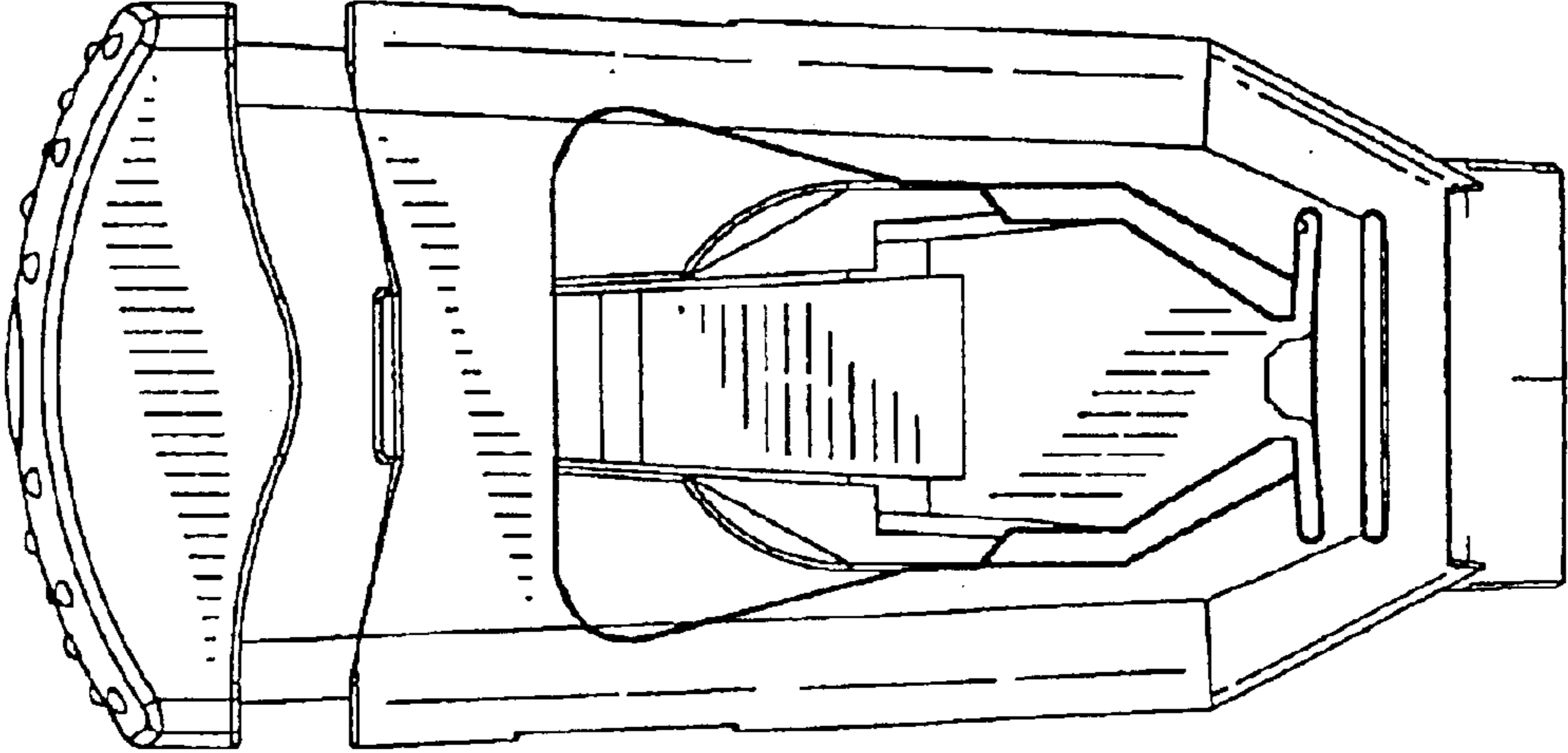


FIG. 9

UNITED STATES PATENT AND TRADEMARK OFFICE
CERTIFICATE OF CORRECTION

PATENT NO. : Des. 510,659 S
DATED : October 18, 2005
INVENTOR(S) : Harold S. Goradesky

Page 1 of 1

It is certified that error appears in the above-identified patent and that said Letters Patent is hereby corrected as shown below:

Title page.

Item [75], Inventor, "**Harold A. Goradesky**" should read -- **Harold S. Goradesky** --.

Signed and Sealed this

Third Day of January, 2006

A handwritten signature in black ink on a light gray dotted background. The signature reads "Jon W. Dudas" in a cursive style.

JON W. DUDAS

Director of the United States Patent and Trademark Office