



US00D510646S

(12) **United States Design Patent**
Weyand

(10) **Patent No.:** **US D510,646 S**
(45) **Date of Patent:** **** Oct. 11, 2005**

(54) **PELHAM BIT**

(75) **Inventor:** **Daniel J. Weyand**, Shadow Hills, CA (US)

(73) **Assignee:** **Mikmar Bit Company L.L.C.**, Shadow Hills, CA (US)

(**) **Term:** **14 Years**

(21) **Appl. No.:** **29/197,055**

(22) **Filed:** **Jan. 9, 2004**

(51) **LOC (8) Cl.** **30-04**

(52) **U.S. Cl.** **D30/136; 54/7**

(58) **Field of Search** **D30/136; 54/6.1, 54/7-9, 15, 71; 119/833**

(56) **References Cited**

U.S. PATENT DOCUMENTS

1,130,638	A	3/1915	Schlueter	
2,012,705	A	* 8/1935	Bergen	54/8
2,460,912	A	2/1949	Wagner et al.	
2,669,817	A	2/1954	O'Donnell	
2,745,235	A	5/1956	Evans	
4,063,404	A	12/1977	Taylor	
D252,163	S	6/1979	Johnson	
5,062,255	A	11/1991	Myler et al.	

OTHER PUBLICATIONS

- Horse bit design, FIG. 1.
- Horse bit design, FIG. 2.
- Horse bit design, FIG. 3.

First horse bit design, FIGS. 1A-1F.
Second horse bit design, FIGS. 2A-2F.
Third horse bit design, FIGS. 3A-3F.

* cited by examiner

Primary Examiner—Stella Reid

Assistant Examiner—Susan M Lee

(74) *Attorney, Agent, or Firm*—Kolisch Hartwell, P.C.

(57) **CLAIM**

I claim the ornamental design for a Pelham bit, as shown and described.

DESCRIPTION

FIG. 1 is a top right front perspective view of a Pelham bit according to one embodiment of my new design, the top left front perspective view being a mirror image thereof.

FIG. 2 is bottom plan view of the embodiment of FIG. 1.

FIG. 3 is a top plan view of the embodiment of FIG. 1.

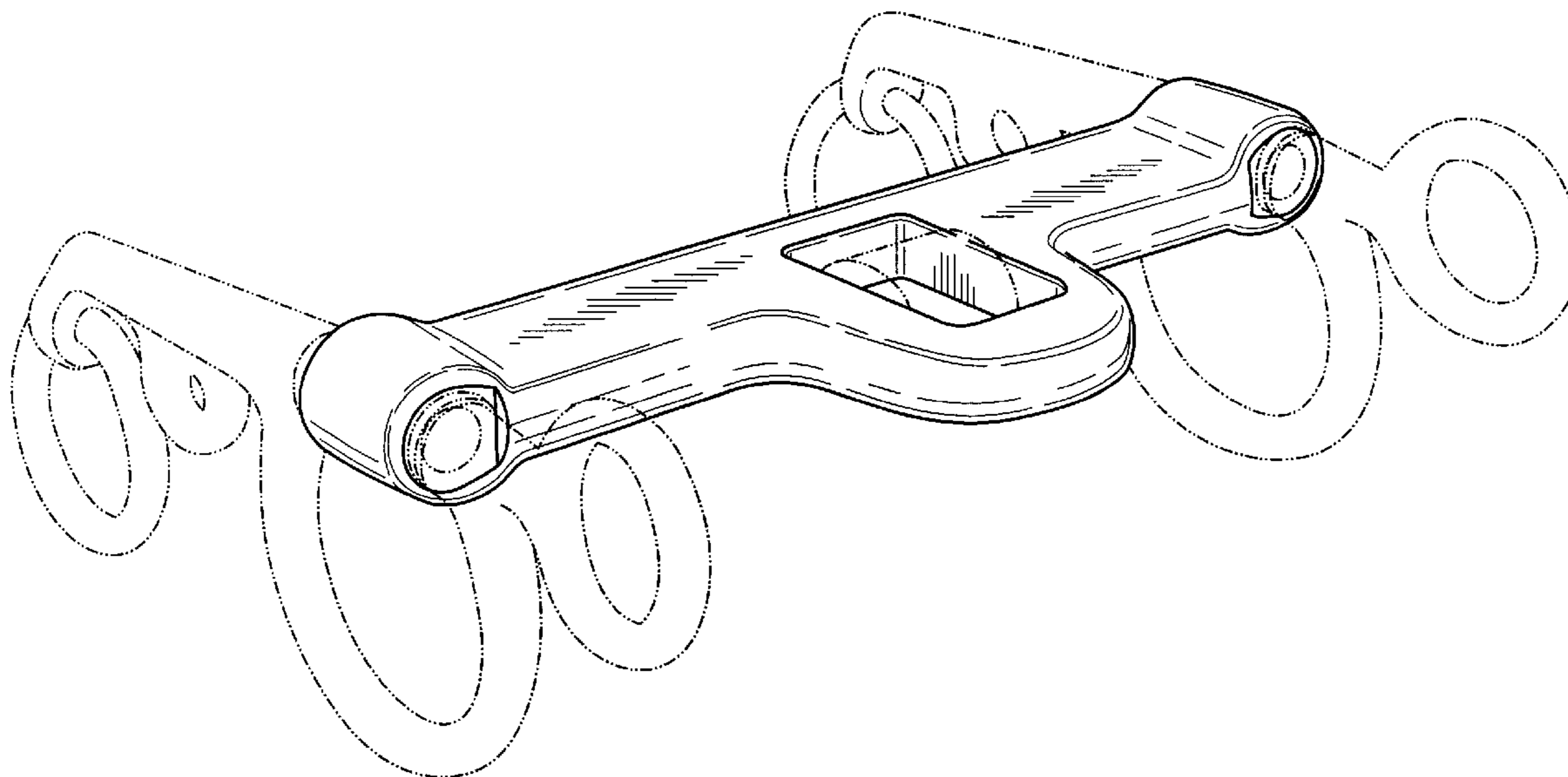
FIG. 4 is a right side elevational view of the embodiment of FIG. 1, the left side elevational view being a mirror image thereof.

FIG. 5 is a front elevational view of the embodiment of FIG. 1; and,

FIG. 6 is rear elevational view of the embodiment of FIG. 1. The broken or dashed lines shown in the drawings are for illustrative purposes only and form no part of the claimed design.

The shading lines shown in the drawings represent the approximate three-dimensional contour of the design, and are not intended to indicate surface decoration.

1 Claim, 3 Drawing Sheets



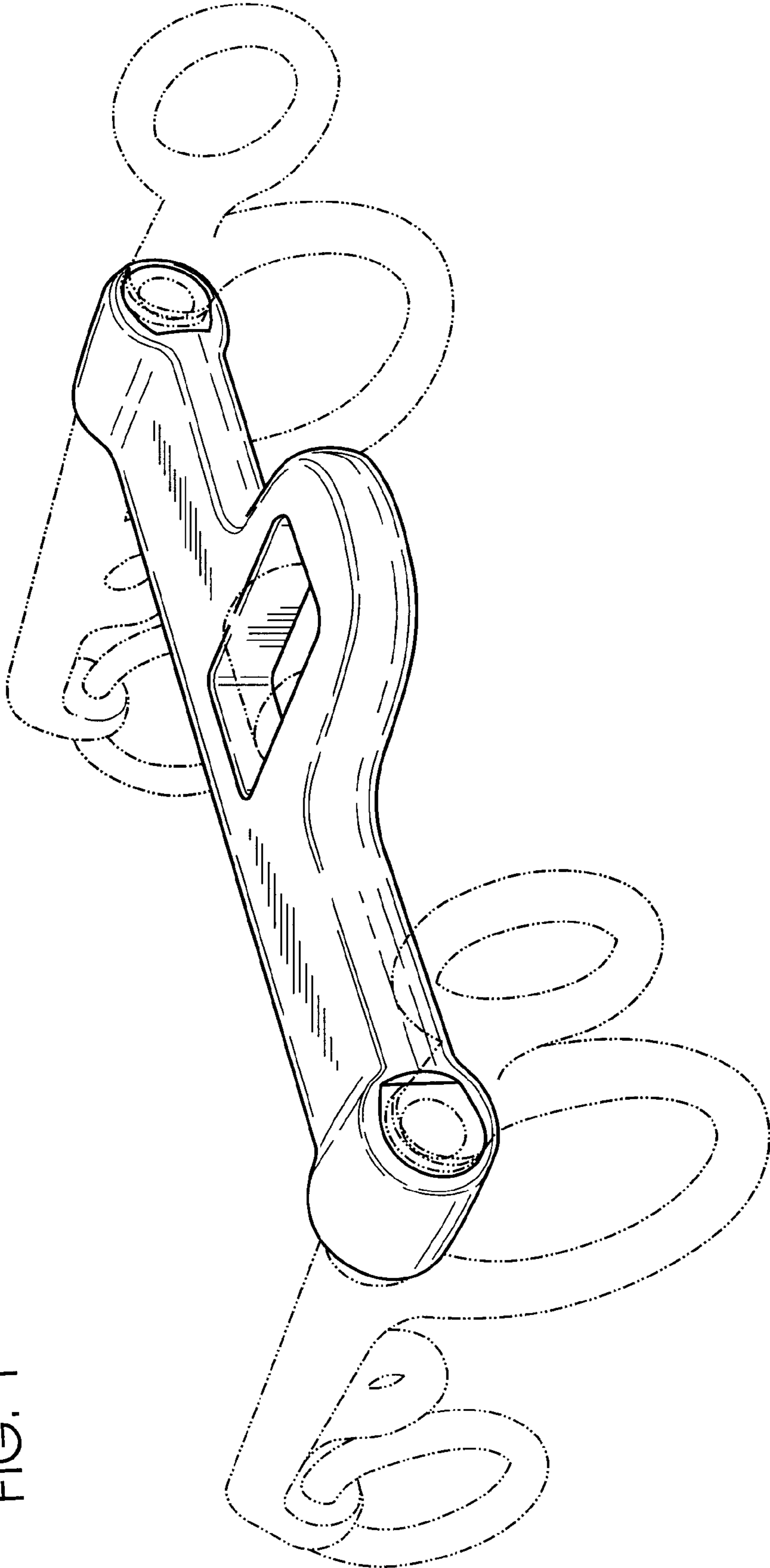


FIG. 1

FIG. 2

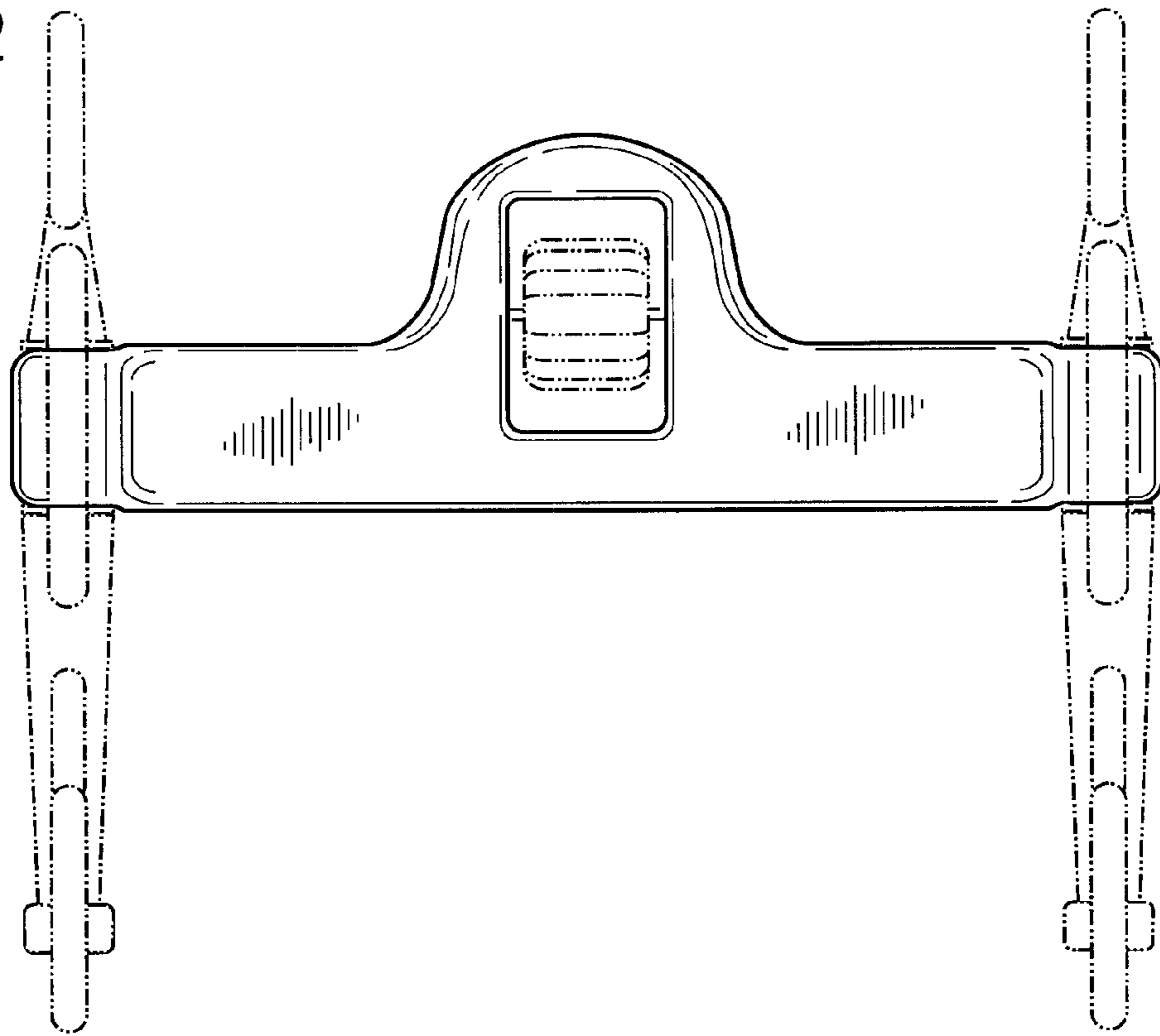


FIG. 3

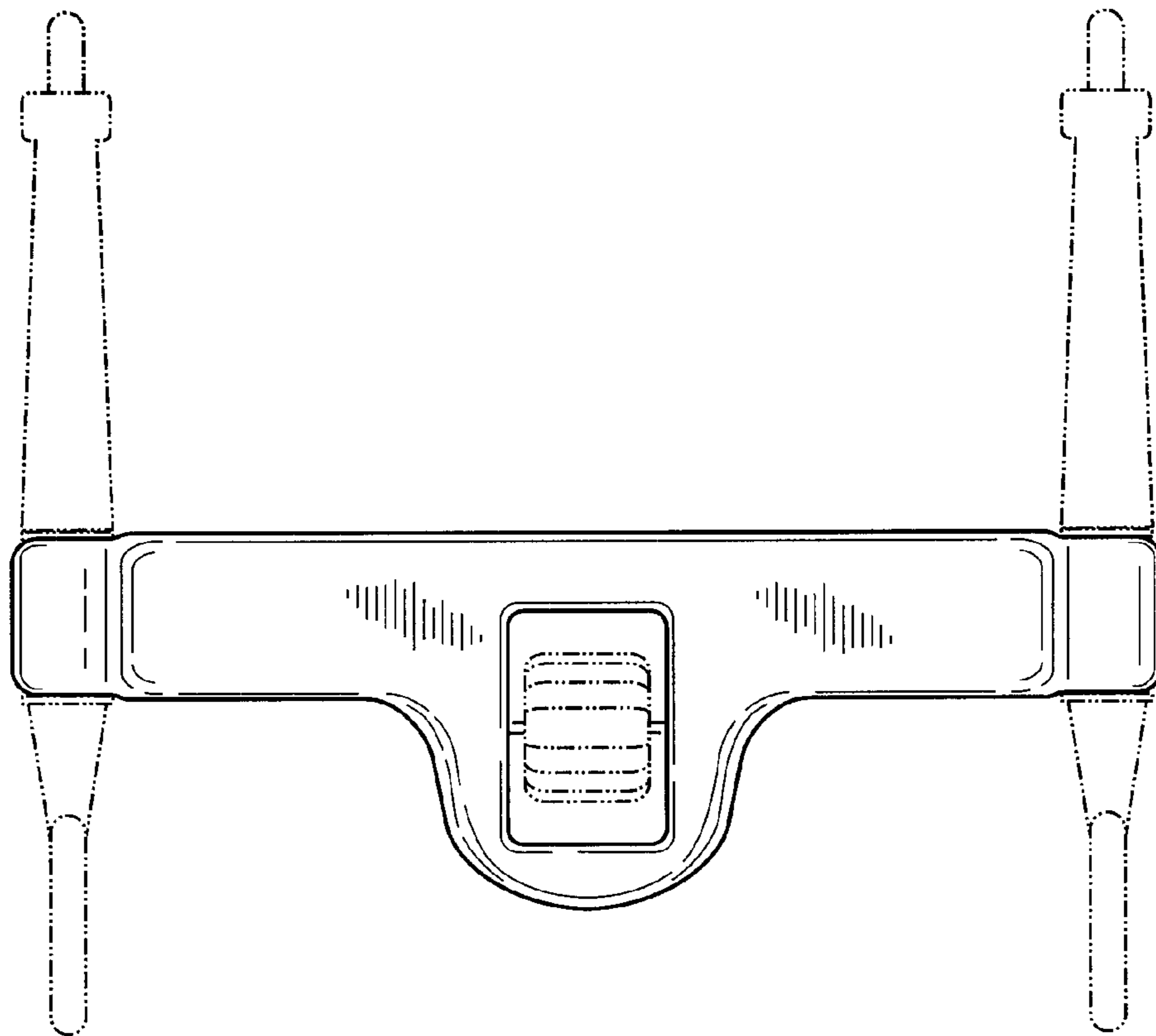


FIG. 4

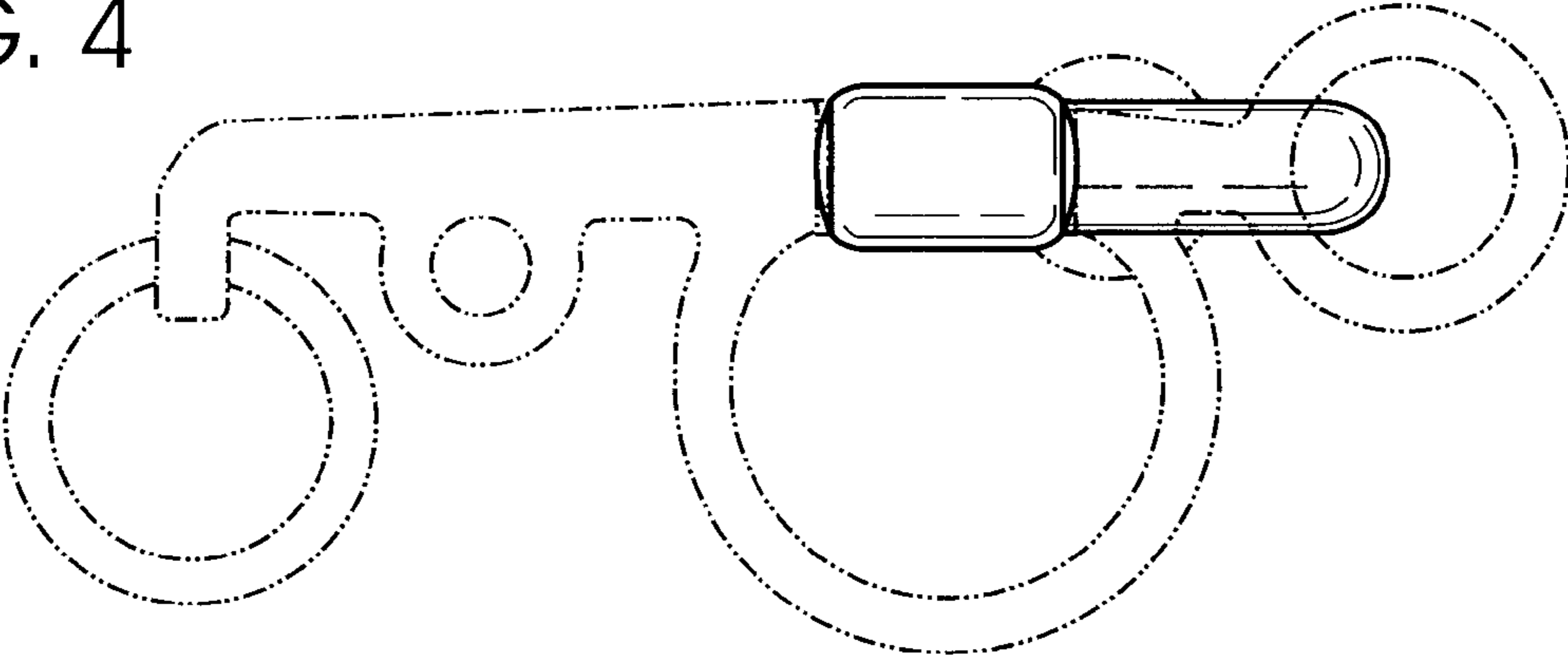


FIG. 5

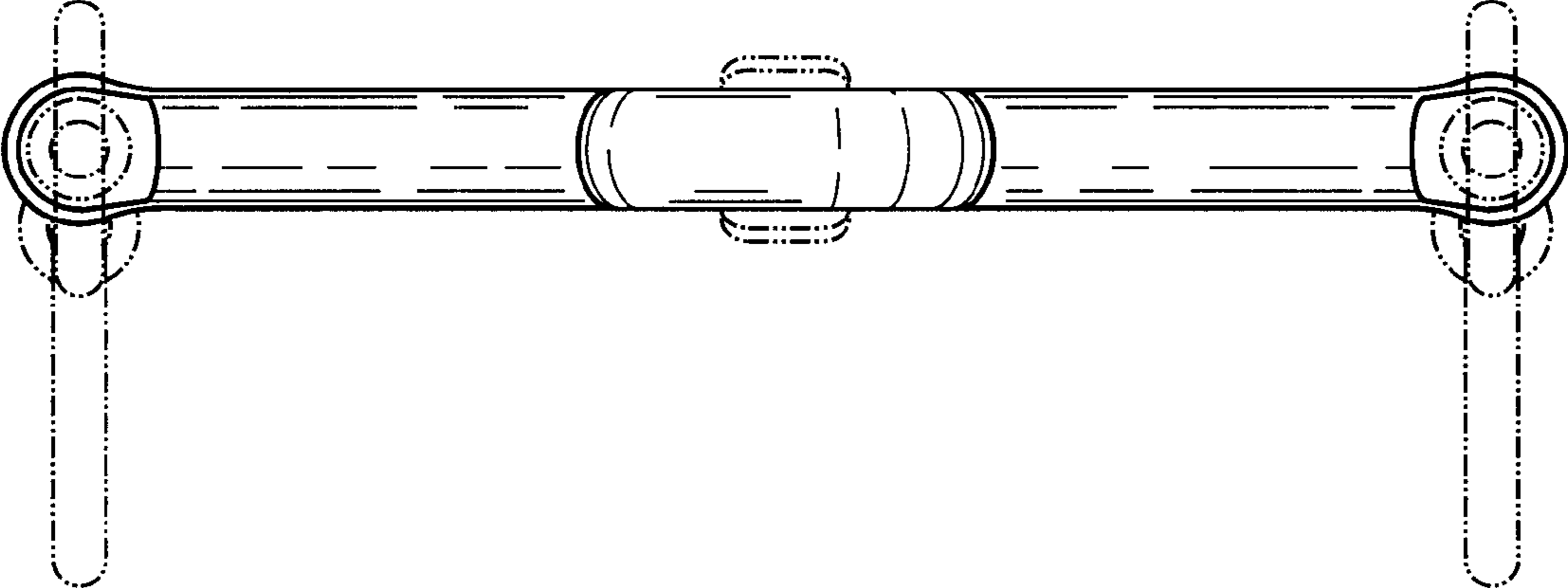


FIG. 6

