



US00D510641S

(12) **United States Design Patent**  
**Wachter**

(10) **Patent No.:** **US D510,641 S**  
(45) **Date of Patent:** **\*\* Oct. 11, 2005**

(54) **LIGHTING FIXTURE HAVING A SQUARE GRID CELL WITH ARCUATE CROSS-MEMBERS**

(75) Inventor: **Peter F. Wachter**, Northfield, IL (US)

(73) Assignee: **Juno Manufacturing, Inc.**, Des Plaines, IL (US)

(\*\*) Term: **14 Years**

(21) Appl. No.: **29/188,793**

(22) Filed: **Aug. 22, 2003**

(51) **LOC (8) Cl.** ..... **26-99**

(52) **U.S. Cl.** ..... **D26/143; D26/81**

(58) **Field of Search** ..... D26/76, 77, 81,  
D26/118, 138, 142, 143; 362/147, 223-225,  
341, 359, 382, 404-405

(56) **References Cited**

**U.S. PATENT DOCUMENTS**

D124,998 S	*	2/1941	Guth	.....	D26/77
D130,740 S	*	12/1941	Biller	.....	D26/77
4,494,175 A	*	1/1985	Gawad et al.	.....	362/225
D334,076 S	*	3/1993	Dieperink et al.	.....	D26/77
D405,209 S	*	2/1999	Walz	.....	D26/118
6,123,432 A	*	9/2000	Feng	.....	362/147
6,174,069 B1	*	1/2001	Plunk et al.	.....	362/147

\* cited by examiner

*Primary Examiner*—Jennifer Rivard

(74) *Attorney, Agent, or Firm*—Sonnenschein Nath & Rosenthal LLP

(57) **CLAIM**

The ornamental design for a lighting fixture having a square grid cell with arcuate cross-members, as shown and described.

**DESCRIPTION**

This application is related to the following: (1) U.S. Design Application Ser. No. 29/188,799 entitled “Suspended Light

Fixture Canopy” filed concurrently, having the same inventor and assignee as the present application; and (2) U.S. Design Application Ser. No. 29/188,791 entitled “Light Fixture having a Square Grid Cell With An Arched Trim” filed concurrently, having the same inventor and assignee as the present application.

FIG. 1 is a perspective view of a lighting fixture having a square grid cell with arcuate cross-members showing the new design;

FIG. 2 is a front view of the lighting fixture as shown in FIG. 1 in which the front side of the square grid cell with arcuate cross-members is in view, the reverse side of the square grid cell with arcuate cross-members being a mirror image of the front side;

FIG. 3 is a side view of the lighting fixture as shown in FIG. 1 in which the right side of the square grid cell is in view, the left side of the square grid cell being a mirror image of the right side;

FIG. 4 is a top view of the lighting fixture as shown in FIG. 1 with a top portion of the light fixture cut-away to show a top view of the square grid cell with arcuate cross-members; and,

FIG. 5 is a bottom view of the lighting fixture as shown in FIG. 1 in which the bottom side of the square grid cell with arcuate cross-members is in view.

Features shown in dashed lines immediately adjacent the shaded areas or adjacent the solid lines represent the bounds of the claim and all other dashed lines are for illustrative purposes only.

None of the dashed lines form a part of the claimed design.

**1 Claim, 3 Drawing Sheets**

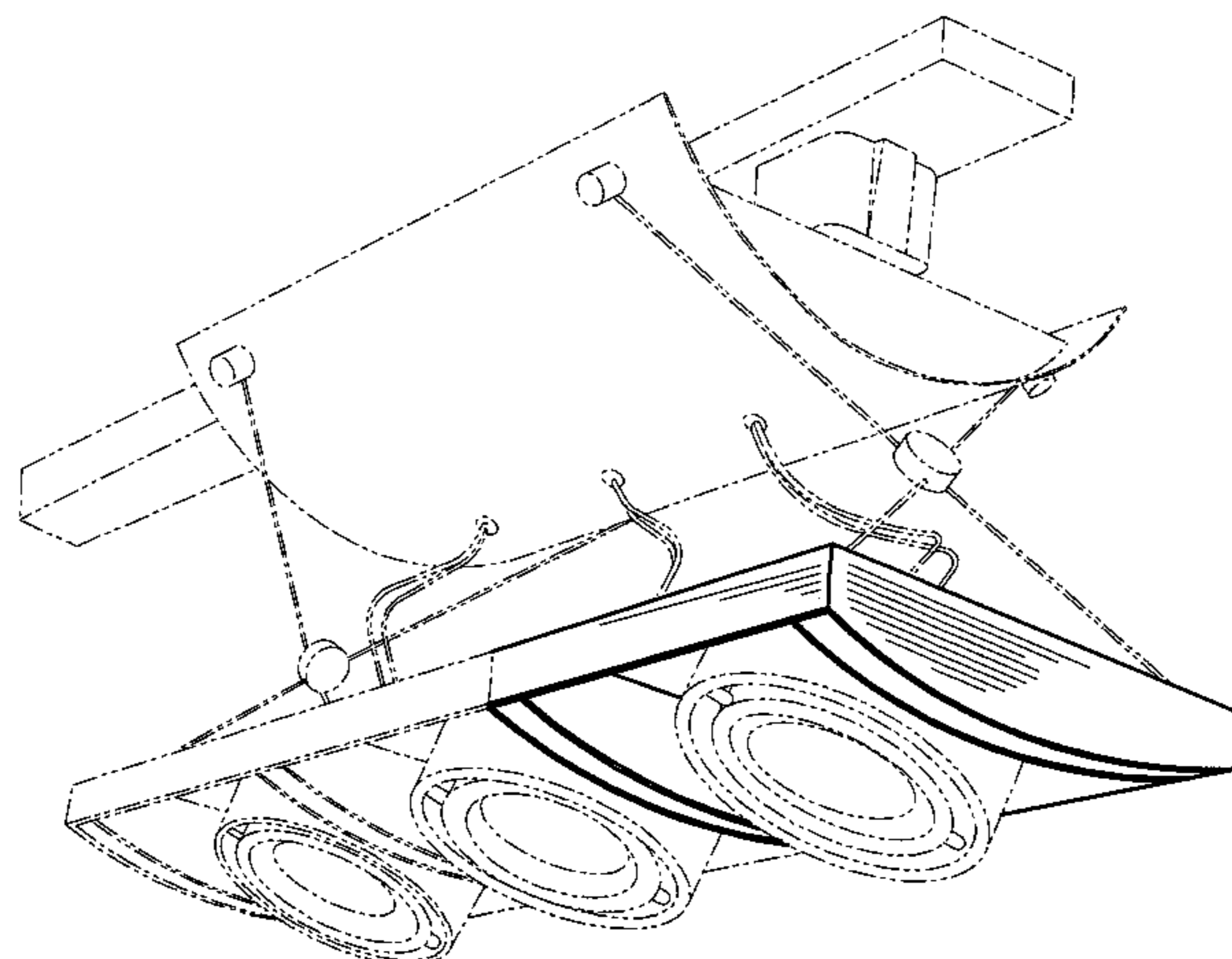


FIG. 1

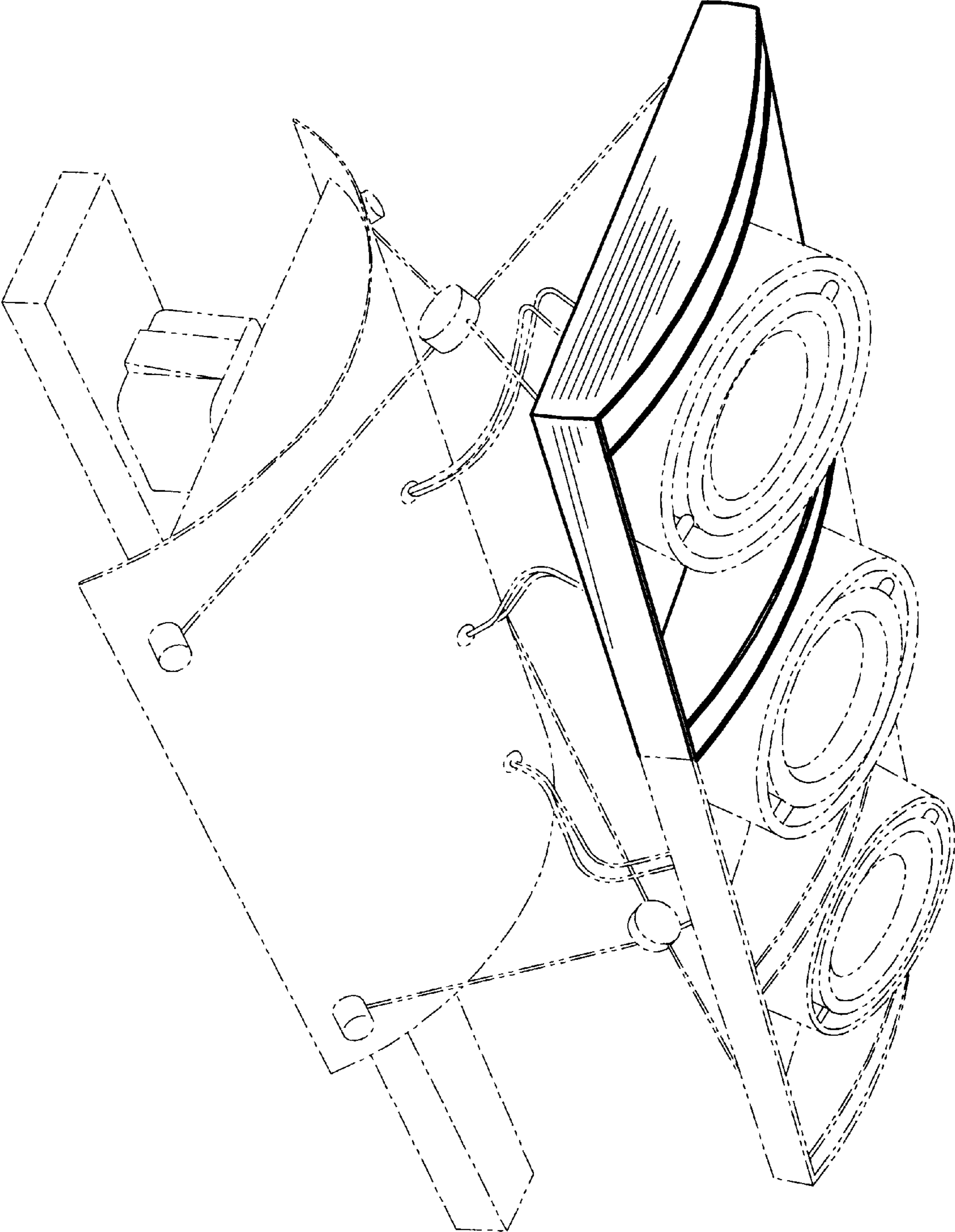


FIG. 3

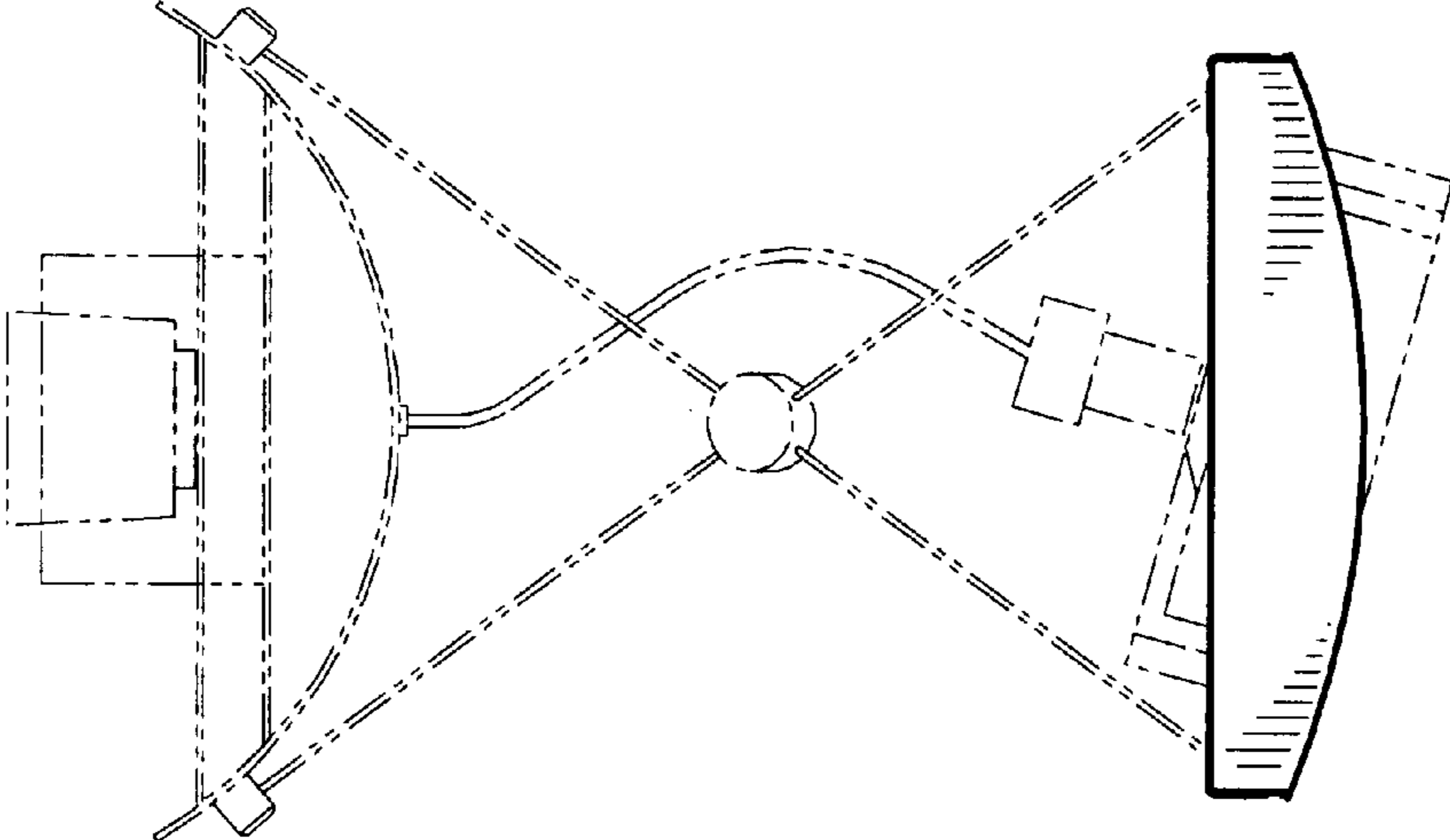


FIG. 2

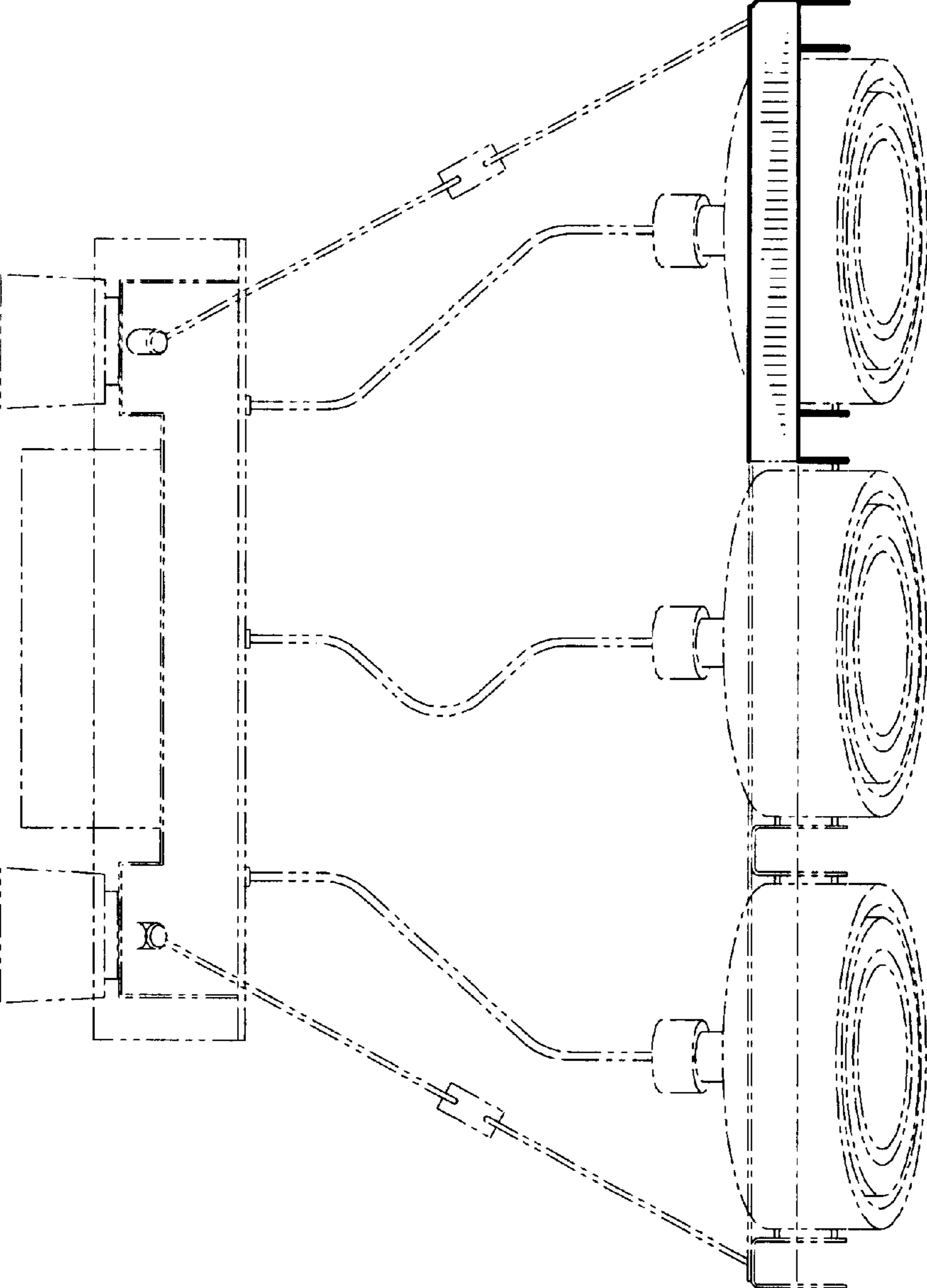


FIG. 4

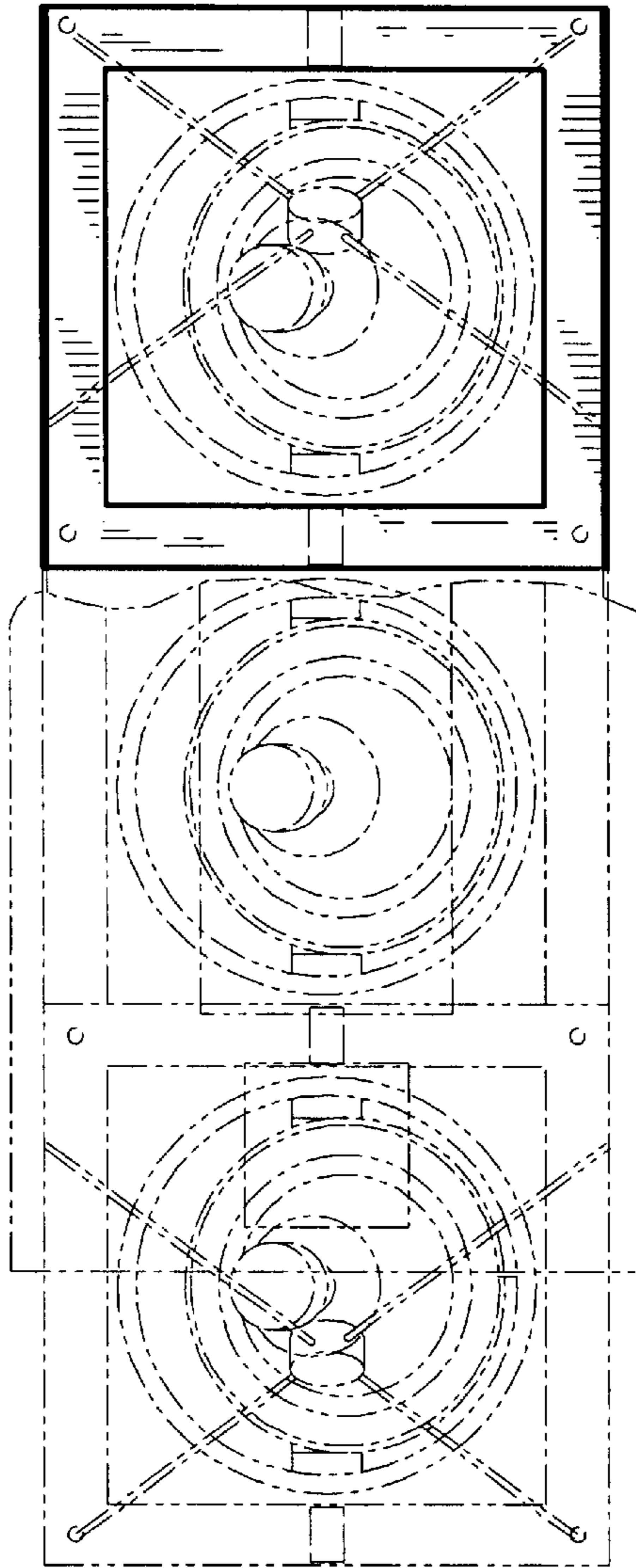


FIG. 5

