



US00D510636S

(12) **United States Design Patent**
Yamamoto

(10) **Patent No.:** **US D510,636 S**
(45) **Date of Patent:** **** Oct. 11, 2005**

(54) **AUXILIARY LAMP FOR AN AUTOMOBILE**

(75) Inventor: **Teruaki Yamamoto**, Tokyo (JP)

(73) Assignee: **PIAA Design International Corporation**, Tokyo (JP)

(**) Term: **14 Years**

(21) Appl. No.: **29/199,839**

(22) Filed: **Feb. 19, 2004**

(30) **Foreign Application Priority Data**

Sep. 26, 2003 (JP) 2003-028152

(51) **LOC (8) Cl.** **26-06**

(52) **U.S. Cl.** **D26/28**

(58) **Field of Search** D26/28-36; 362/459-468,
362/473-476, 485-487

(56) **References Cited**

U.S. PATENT DOCUMENTS

D471,658 S * 3/2003 Byggmastar D26/28
D477,427 S * 7/2003 Mazziotti D26/28
D490,172 S * 5/2004 Yamamoto D26/28

OTHER PUBLICATIONS

Lamp for Automobile disclosed at p. 153 of "Car and Driver" published on Oct. 26, 1997.

Fog Lamp for Automobile disclosed at p. 159 of "Car and Driver" published on Oct. 26, 2002.

* cited by examiner

Primary Examiner—Marcus A. Jackson

(74) *Attorney, Agent, or Firm*—Olson & Hierl, Ltd.

(57) **CLAIM**

The ornamental design for an auxiliary lamp for an automobile, as shown and described.

DESCRIPTION

FIG. 1 is a front perspective view of the auxiliary lamp for an automobile;

FIG. 2 is a rear perspective view thereof;

FIG. 3 is a front view thereof;

FIG. 4 is a top plan view thereof;

FIG. 5 is a bottom view thereof;

FIG. 6 is a right side view thereof (the left side view being a mirror view of the right side view);

FIG. 7 is a rear view thereof;

FIG. 8 is a sectional view thereof taken along line 8—8 of FIG. 3; and,

FIG. 9 is a sectional view thereof along line 9—9 of FIG. 3.

1 Claim, 5 Drawing Sheets

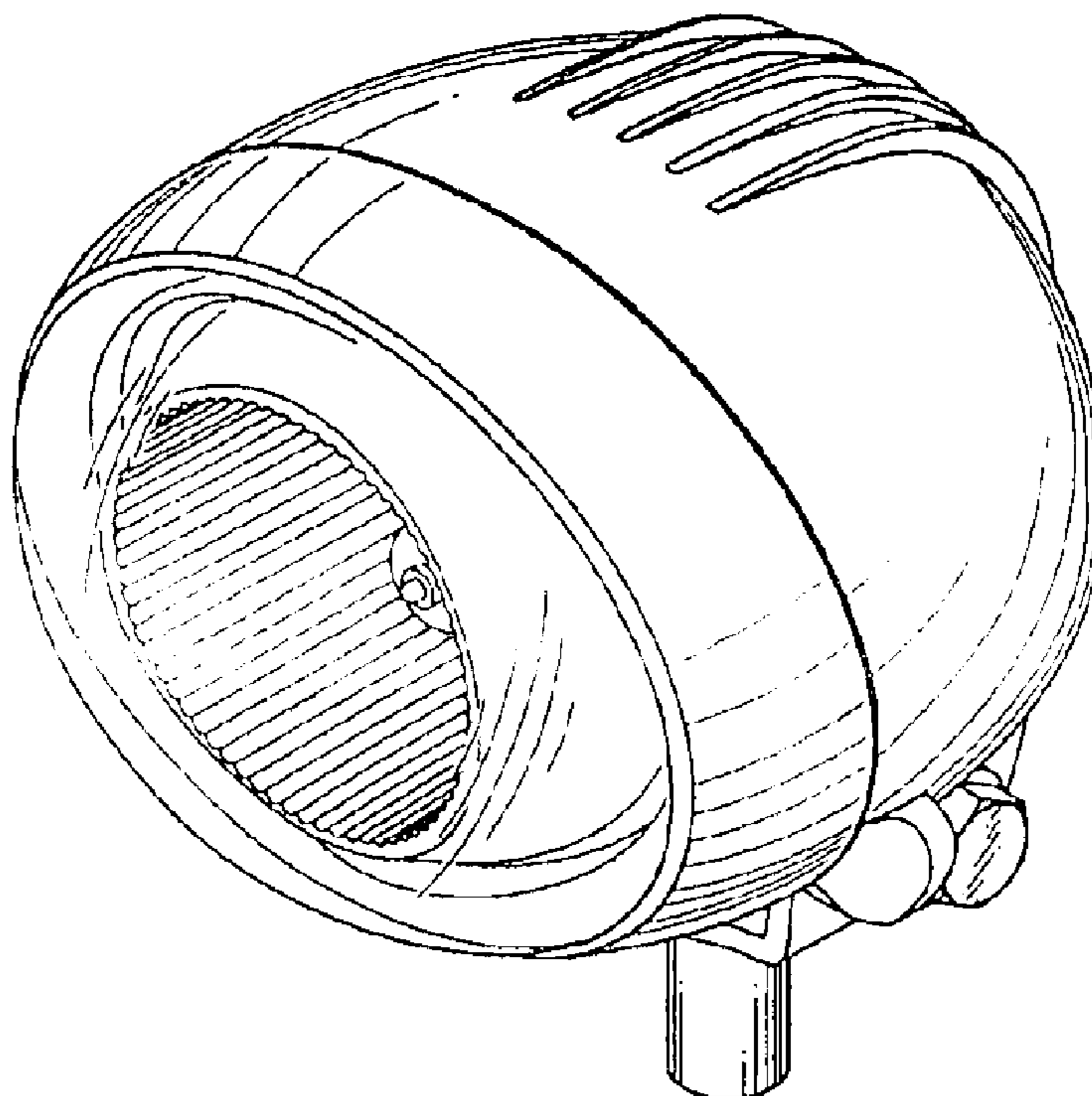


Fig. 1

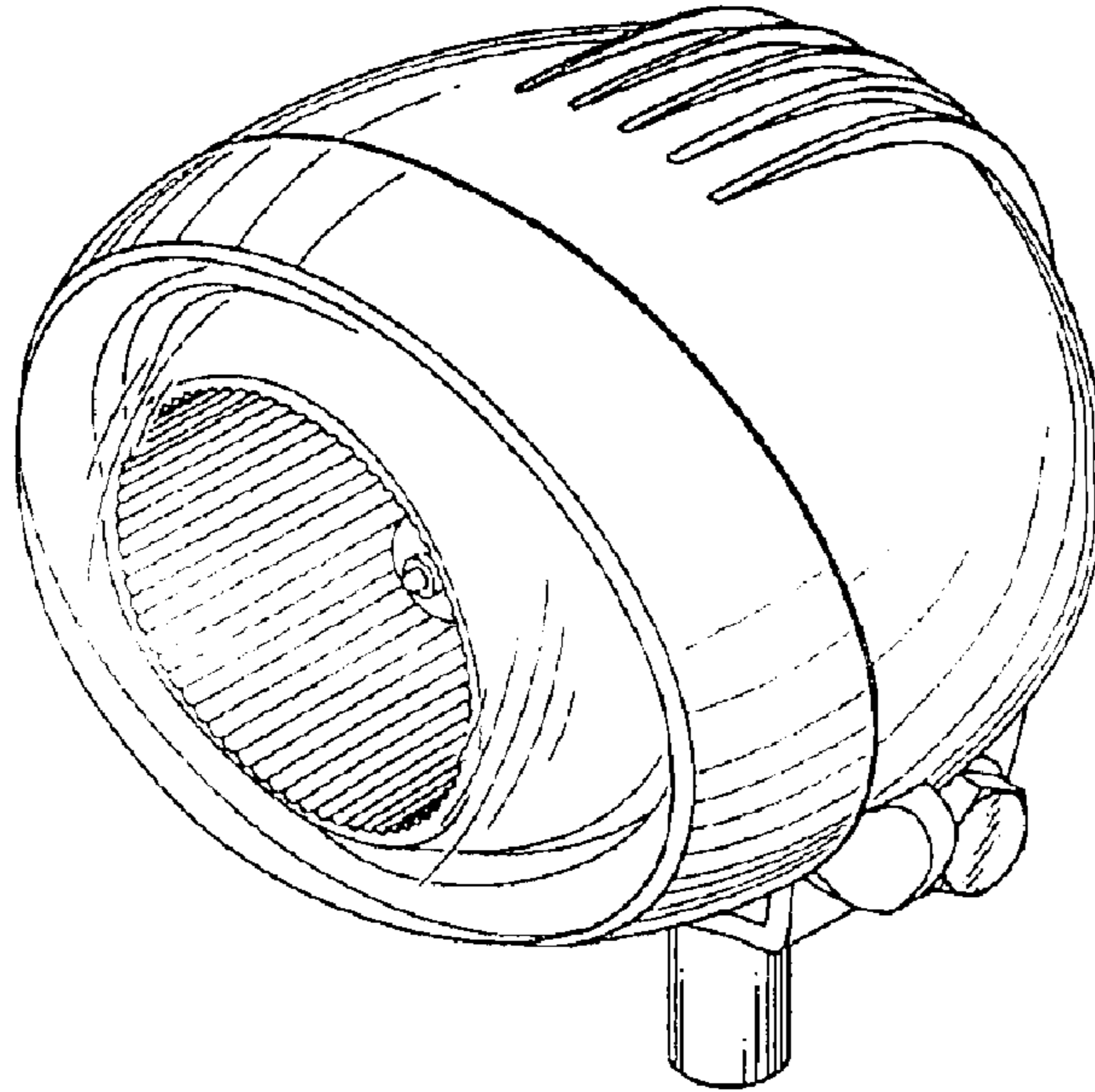


Fig. 2

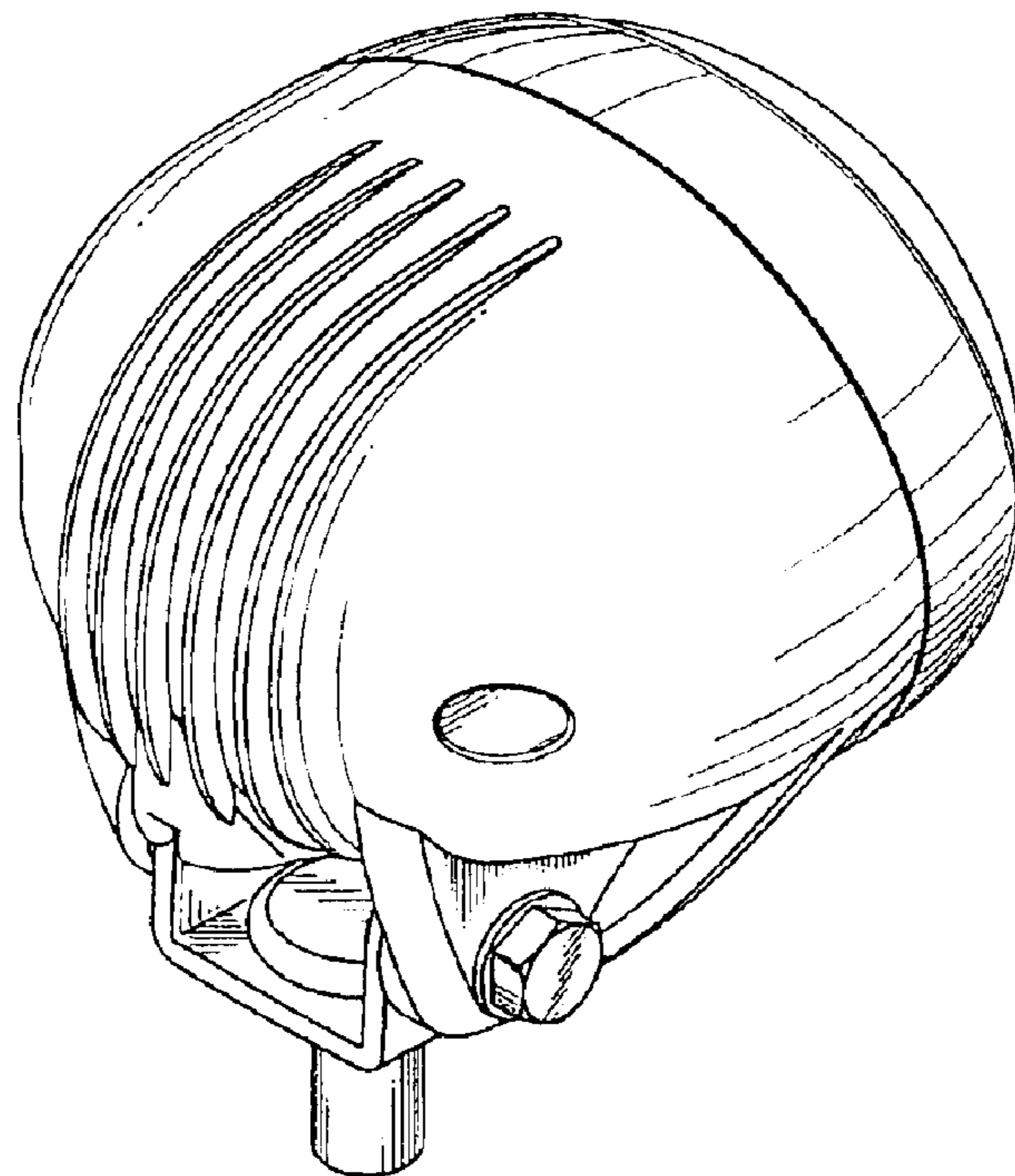


Fig.3

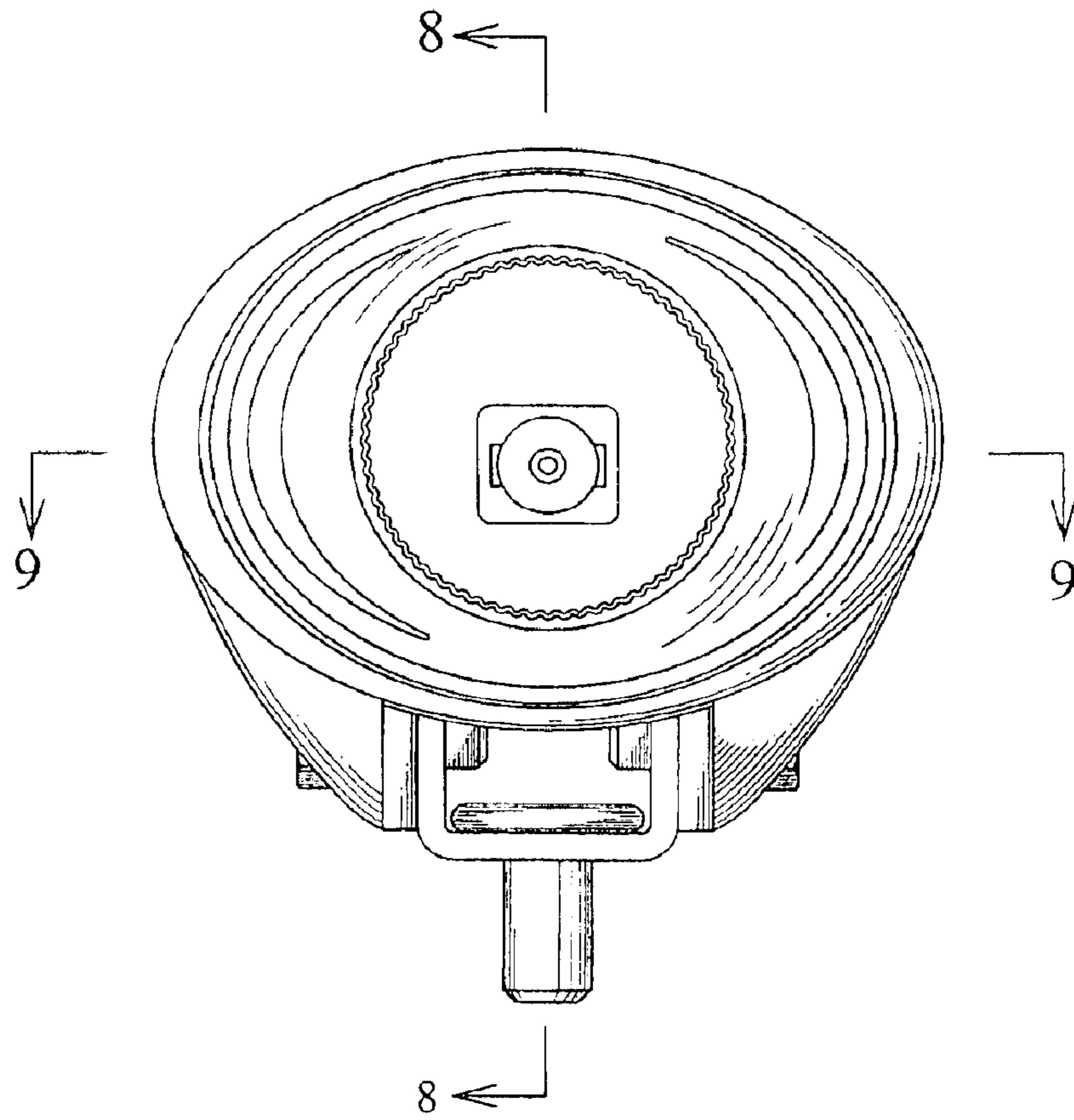


Fig.4

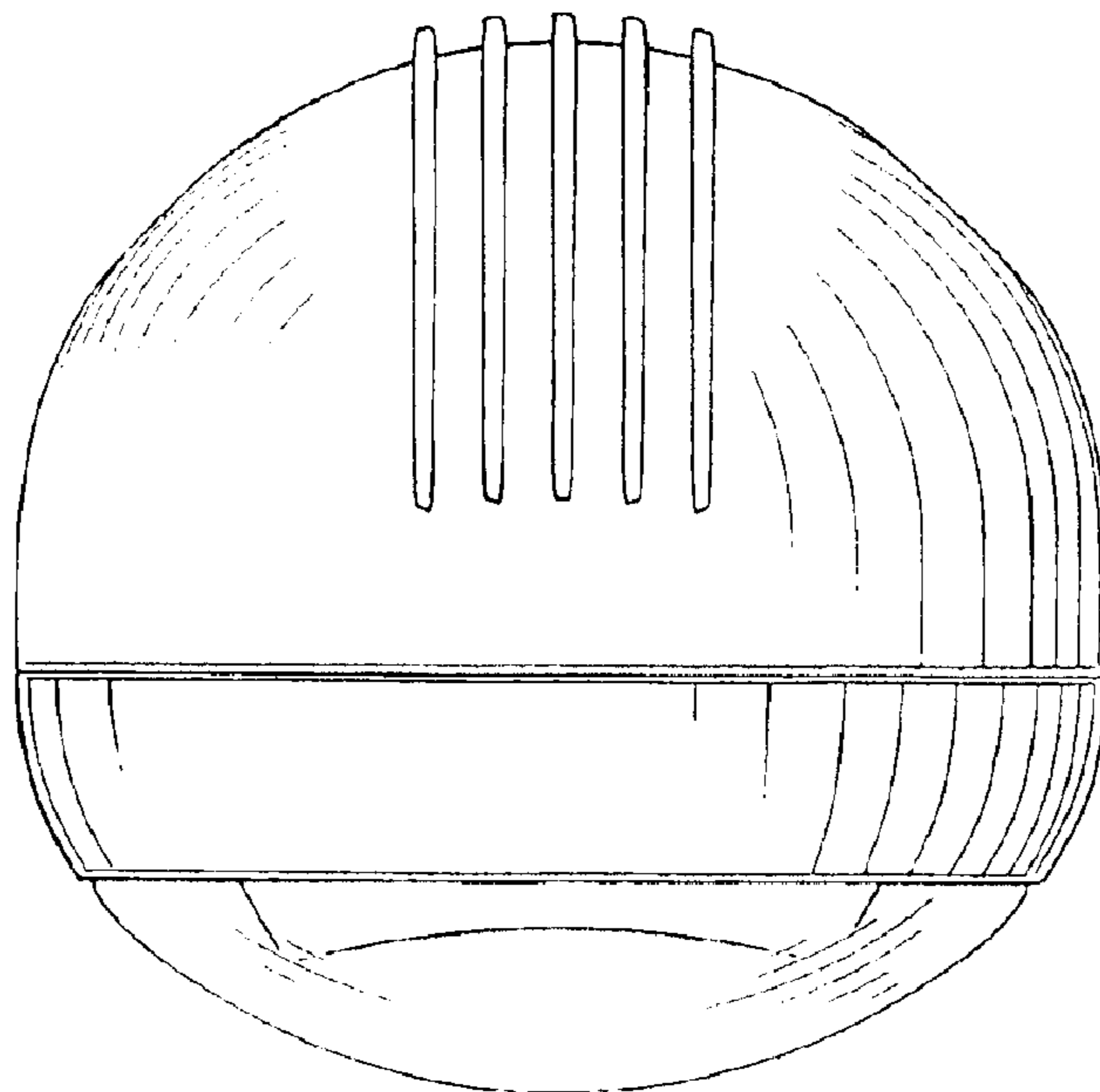


Fig.5

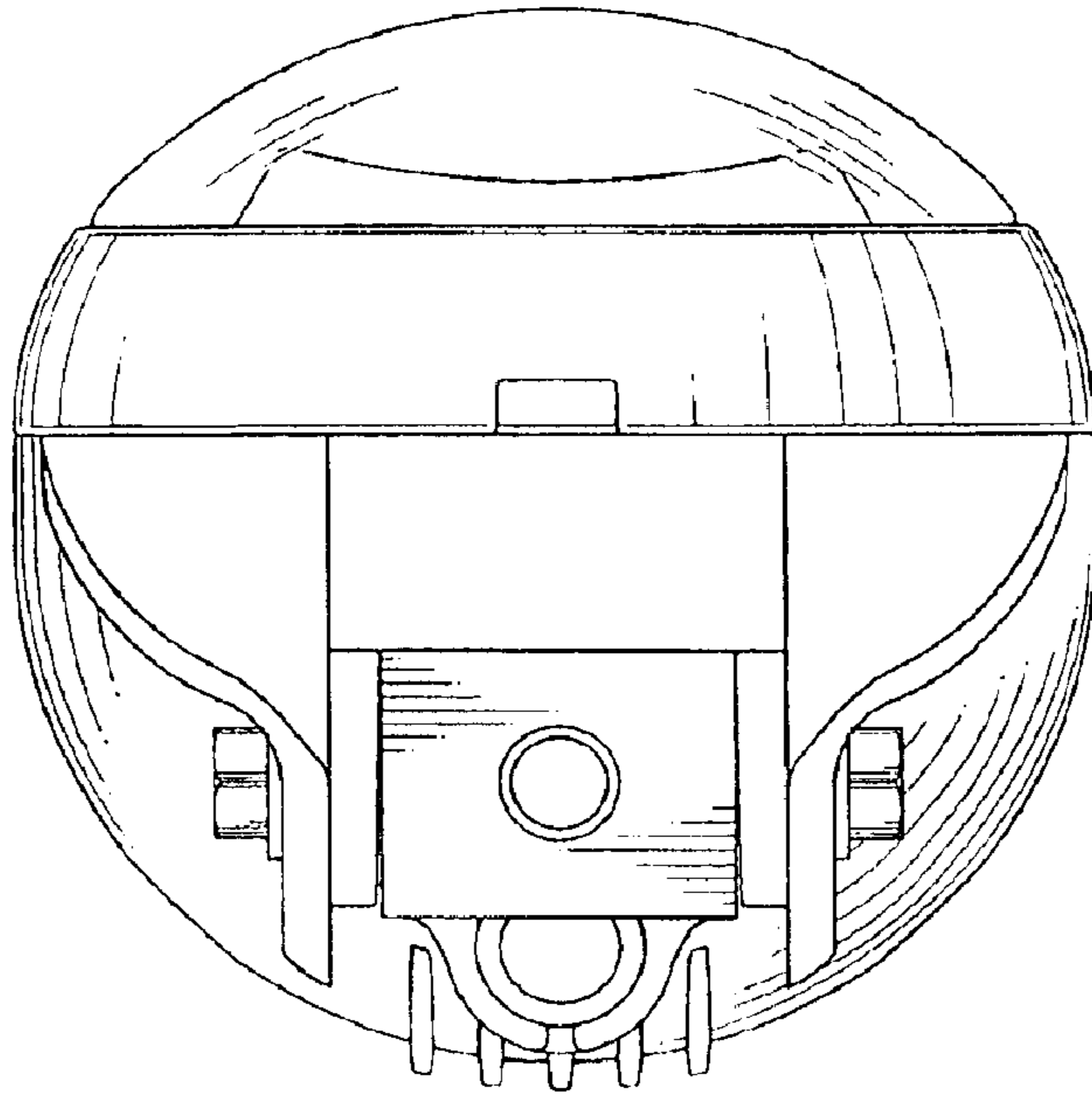


Fig.6

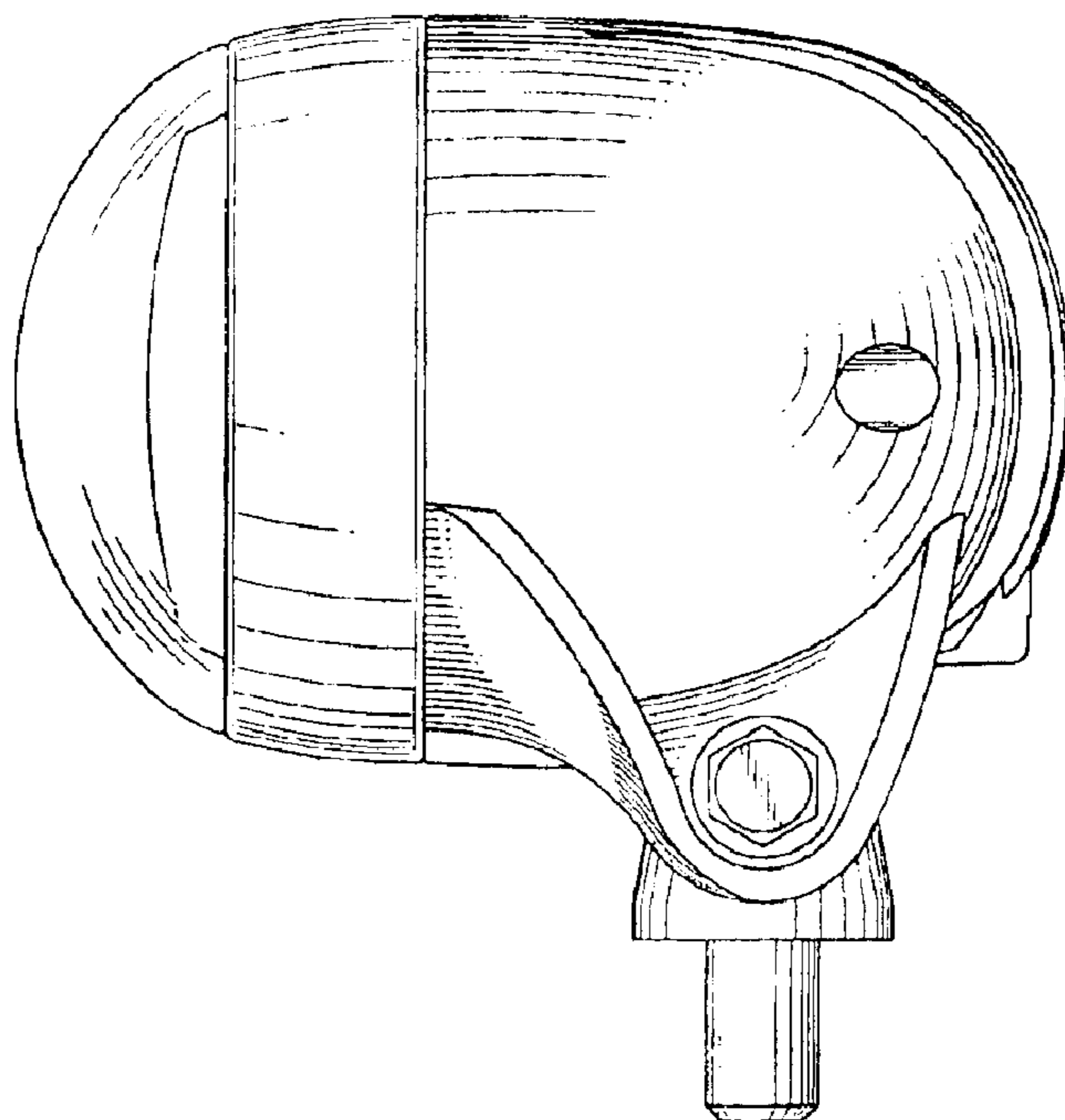


Fig.7

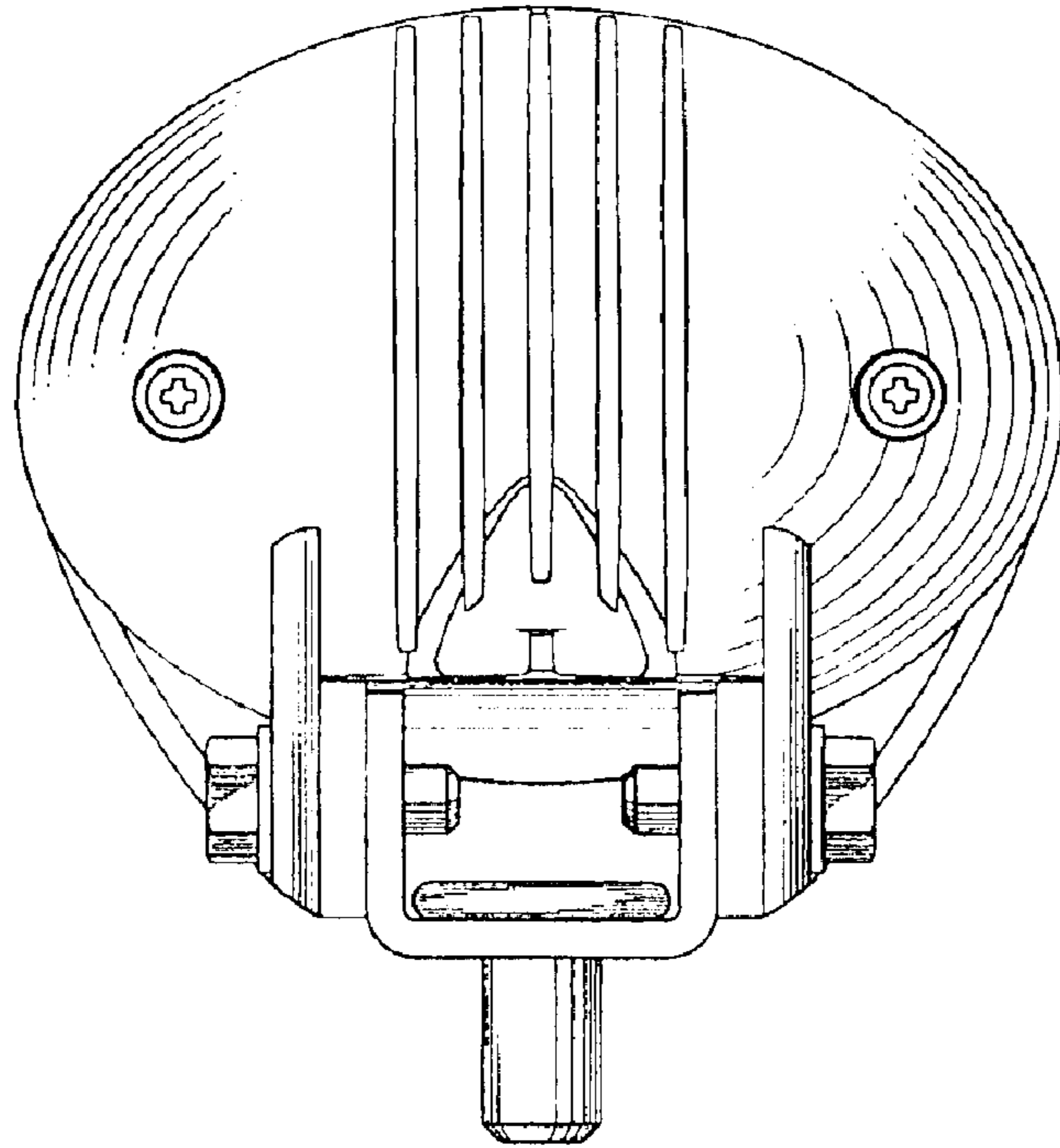


Fig.8

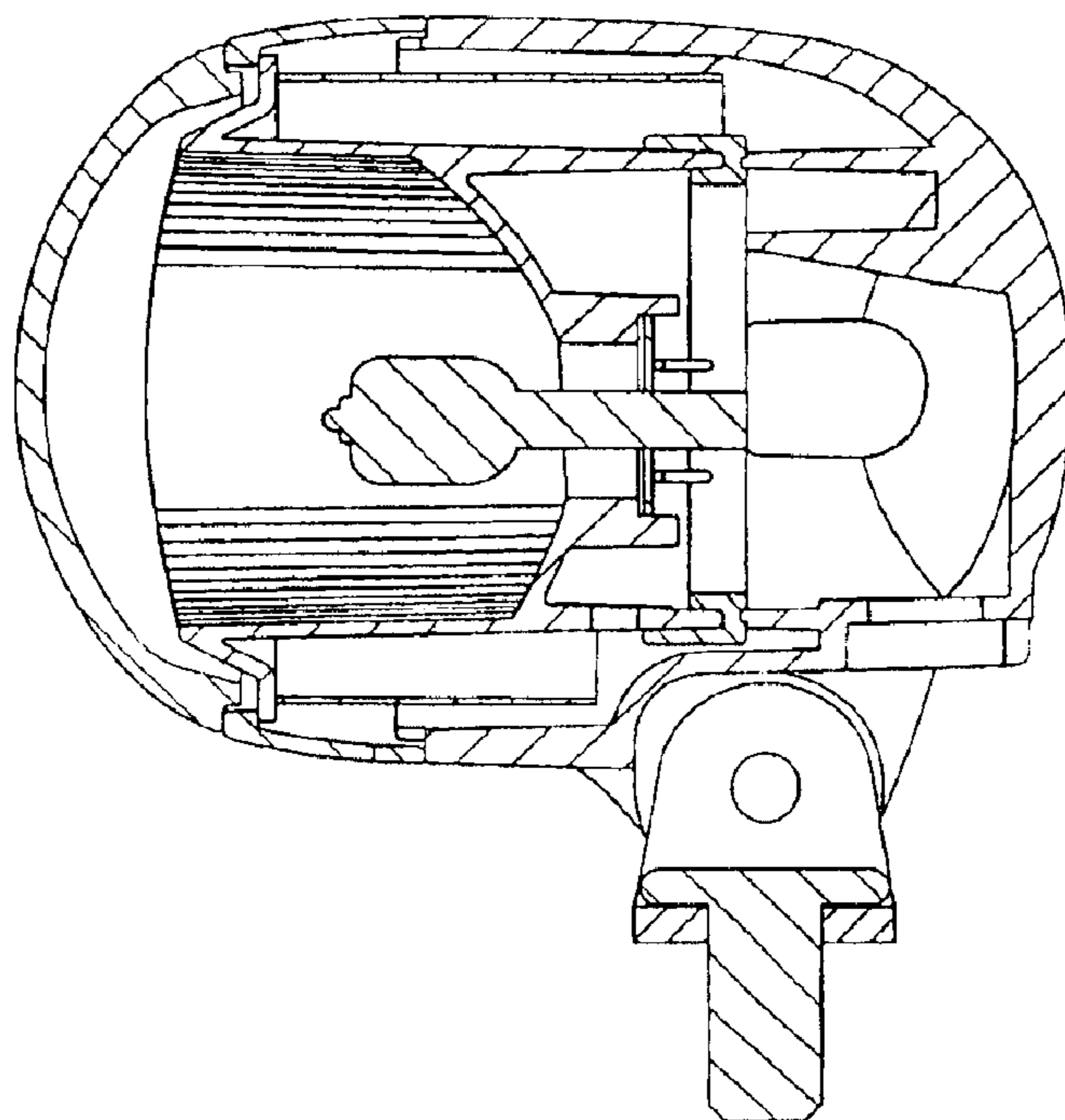


Fig.9

