



US00D510633S

(12) **United States Design Patent**
South et al.

(10) **Patent No.: US D510,633 S**
(45) **Date of Patent: ** Oct. 11, 2005**

(54) **SILL**

D130,513 S * 11/1941 Bloodworth D25/123
5,622,016 A * 4/1997 Frommelt et al. 52/173.2
5,653,068 A * 8/1997 Moody et al. 52/97

(76) Inventors: **Rayburn Dawson South**, 11557 E.
Mapleton Rd., Mapleton, OR (US)
97453; **Michael E. Wallach**, P.O. Box
2356, Florence, OR (US) 97439

* cited by examiner

(**) Term: **14 Years**

Primary Examiner—Doris Clark

(21) Appl. No.: **29/183,898**

(57) **CLAIM**

(22) Filed: **Aug. 25, 2003**

We claim the ornamental design for a sill, as shown and described.

(51) **LOC (8) Cl.** **25-01**

(52) **U.S. Cl.** **D25/143**

(58) **Field of Search** D25/141, 143;
52/11, 13, 14, 61, 169.14, 555, 556, 557,
560

DESCRIPTION

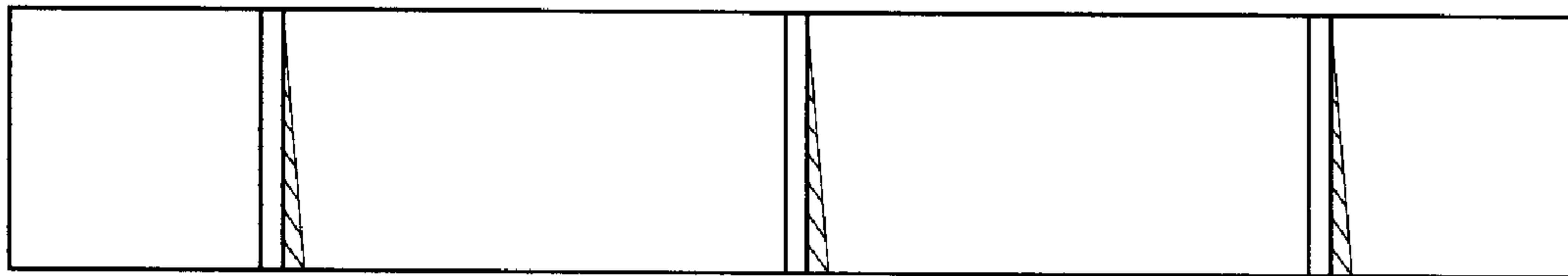
FIG. 1 is a top view of the sill;
FIG. 2 is a perspective view thereof;
FIG. 3 is a side elevational view thereof; and,
FIG. 4 is an enlarged front elevational view thereof.

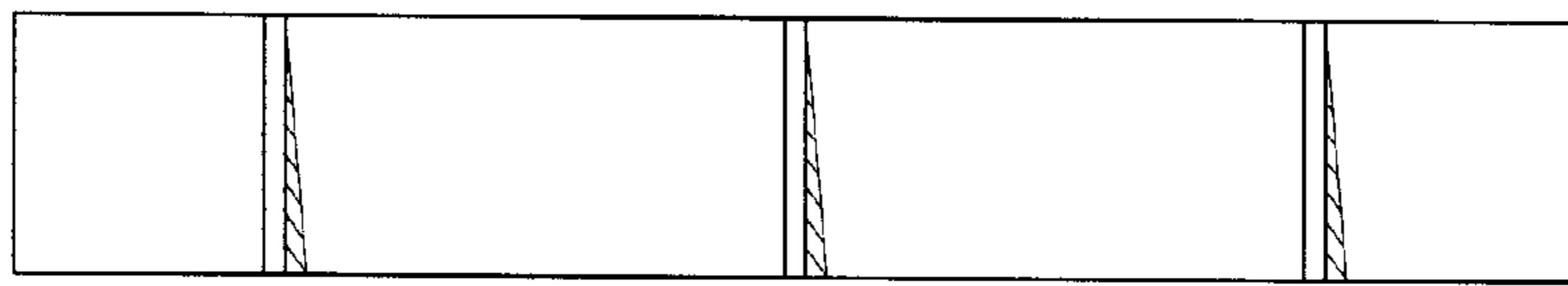
(56) **References Cited**

U.S. PATENT DOCUMENTS

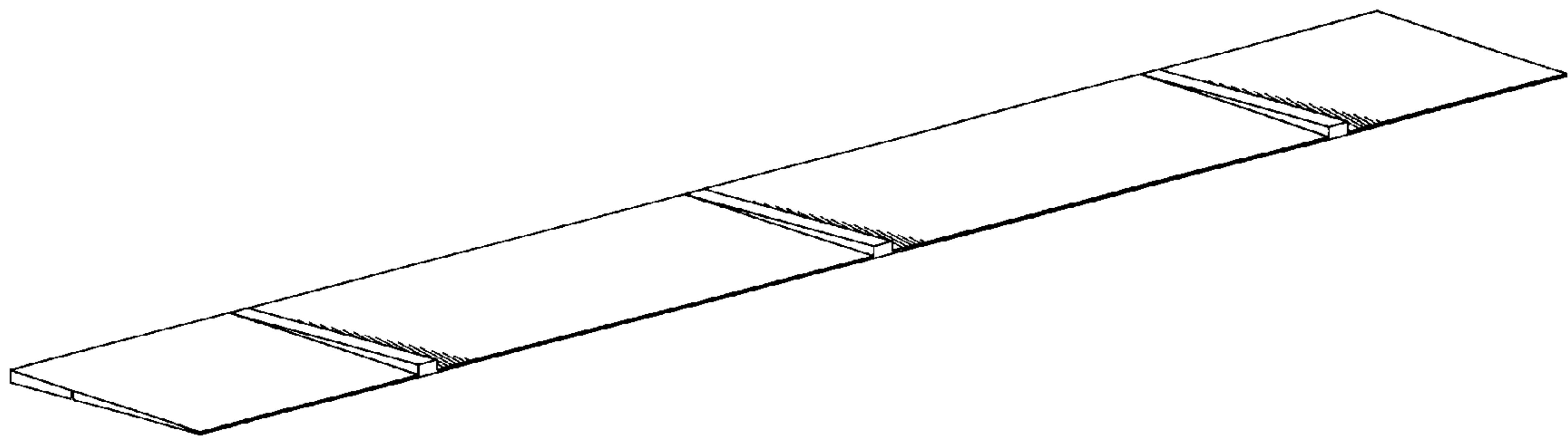
1,572,377 A * 2/1926 Blair 52/553

1 Claim, 2 Drawing Sheets

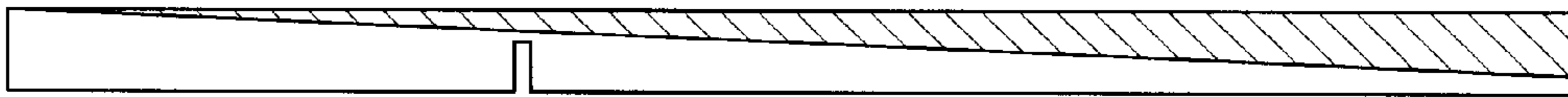




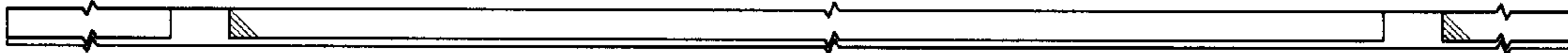
1



2



3



4