



US00D510632S

(12) **United States Design Patent**
Tjakra et al.

(10) **Patent No.:** **US D510,632 S**
(45) **Date of Patent:** **** Oct. 11, 2005**

(54) **ASSEMBLED WINDOW FRAME
EXTRUSION WITH GLAZING BEAD**

(75) Inventors: **Horace Tjakra**, Norwalk, CA (US);
Johan Agustino, Jawa Barat (ID)

(73) Assignee: **Mulia, Inc.**, Norwalk, CA (US)

(**) Term: **14 Years**

(21) Appl. No.: **29/205,310**

(22) Filed: **May 12, 2004**

Related U.S. Application Data

(62) Division of application No. 29/182,820, filed on Jun. 2, 2003, now Pat. No. Des. 496,470.

(51) **LOC (8) Cl.** **25-01**

(52) **U.S. Cl.** **D25/124**

(58) **Field of Search** D25/60, 124; 52/204.5,
52/474, 772, 773, 777, 780

(56) **References Cited**

U.S. PATENT DOCUMENTS

4,891,925 A	1/1990	Carlson et al.	52/585
4,897,975 A	2/1990	Arwick et al.	52/208
4,979,346 A	12/1990	Pollard	52/656
5,115,610 A	5/1992	Kessler	52/397
5,687,521 A	11/1997	Carlson et al.	52/308
D402,535 S	12/1998	Wright	D8/354

5,992,111 A	11/1999	Waterhouse	52/308
6,263,626 B1	7/2001	Gerhardt	52/204.5
D456,086 S	4/2002	Habeck et al.	D25/124
6,427,399 B1	8/2002	Ross et al.	52/204.7
D477,090 S	* 7/2003	Thomsen et al.	D25/60

* cited by examiner

Primary Examiner—Doris Clark

(74) *Attorney, Agent, or Firm*—Squire, Sanders & Dempsey L.L.P.

(57) **CLAIM**

The ornamental design for assembled window frame extrusion with glazing bead, as shown and described.

DESCRIPTION

FIG. 1 is a perspective cross sectional view of a window frame extrusion assembled with a glazing bead showing a new ornamental design;

FIG. 2 is a fragmentary left side elevational view of the assembled window frame extrusion with glazing bead;

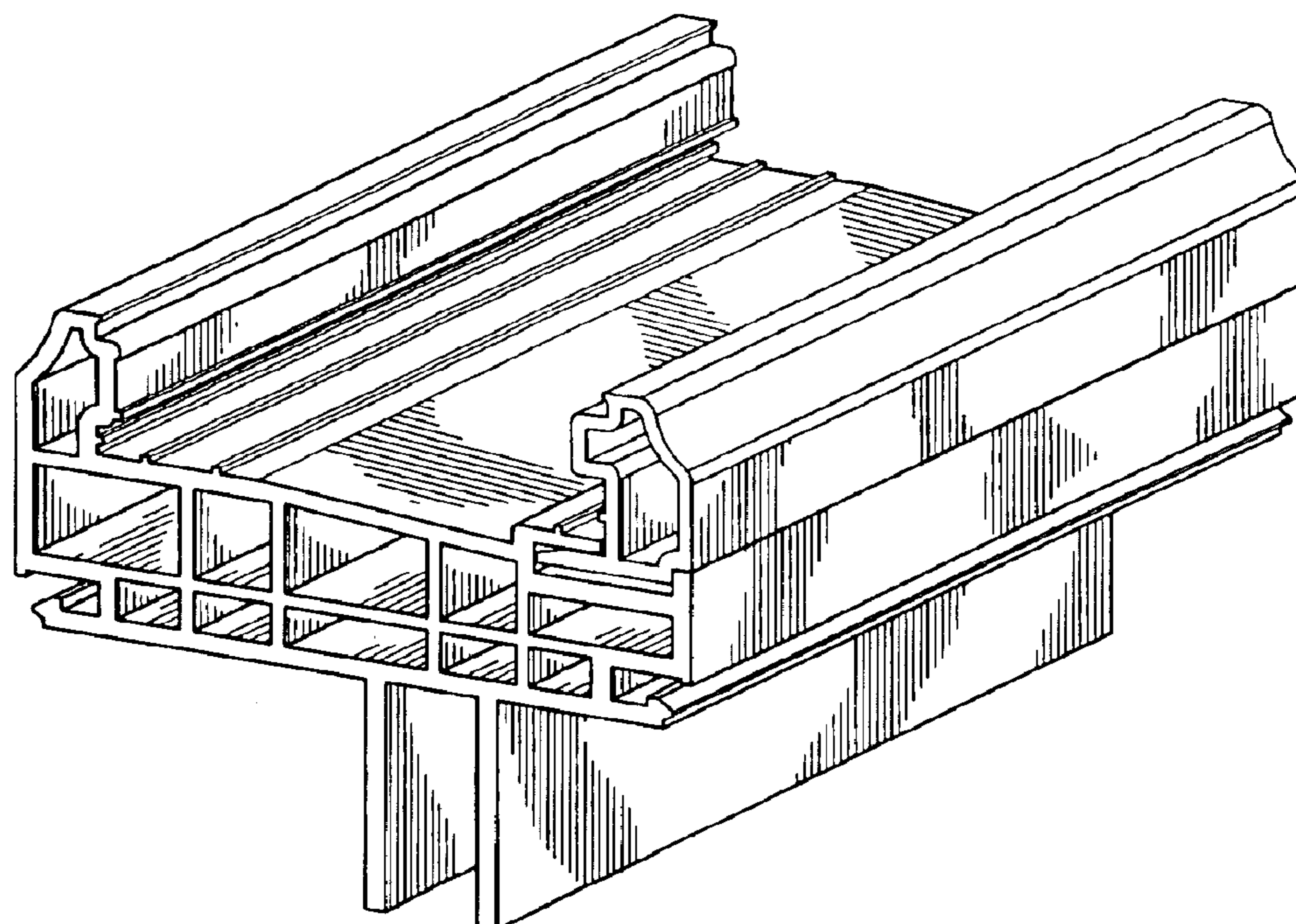
FIG. 3 is a fragmentary front elevational view of the assembled window frame extrusion with glazing bead;

FIG. 4 is a fragmentary top plan view of the assembled window frame extrusion with glazing bead;

FIG. 5 is a fragmentary rear elevational view of the assembled window frame extrusion with glazing bead; and,

FIG. 6 is a fragmentary bottom plan view of the assembled window frame extrusion with glazing bead.

1 Claim, 2 Drawing Sheets



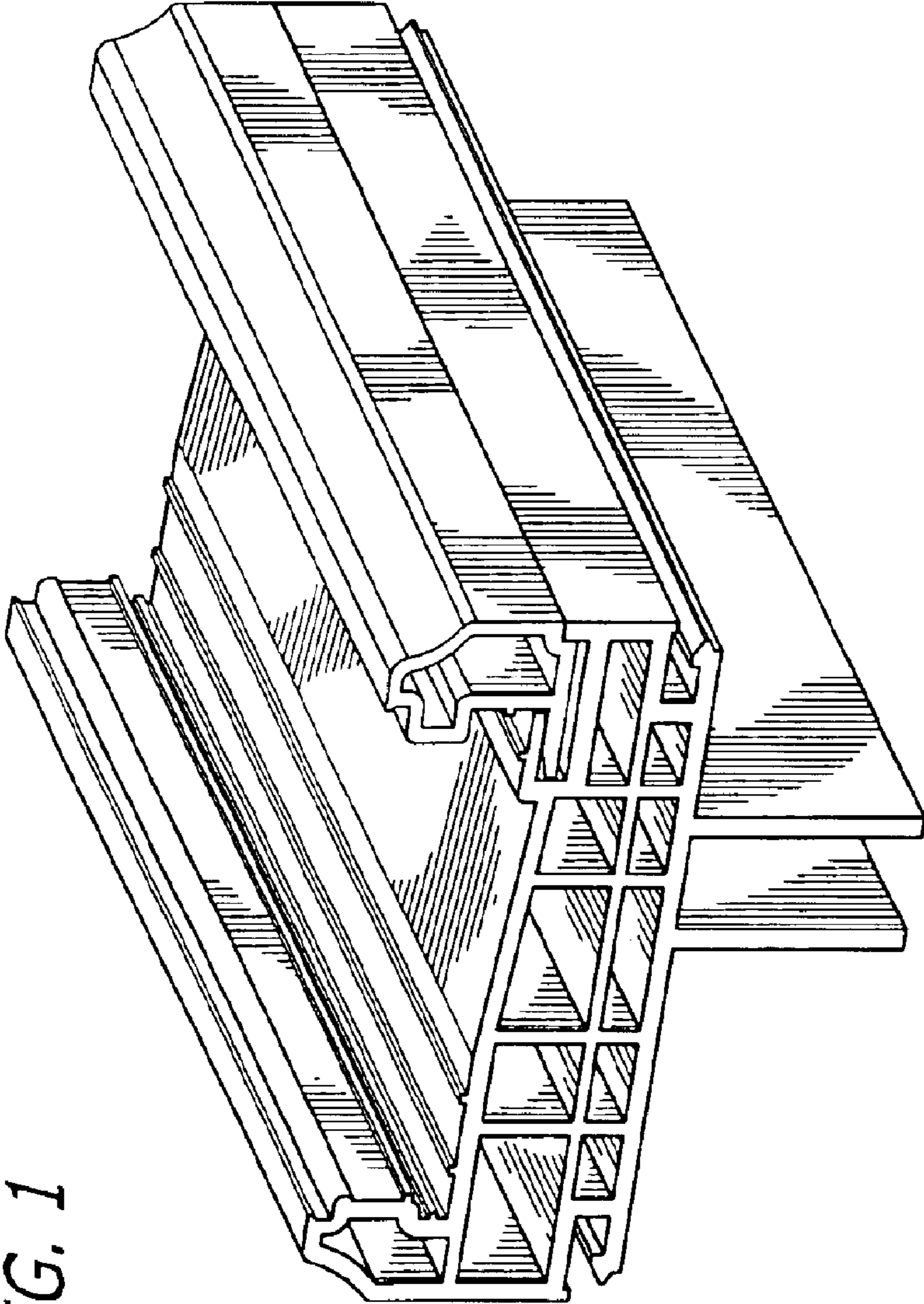


FIG. 1

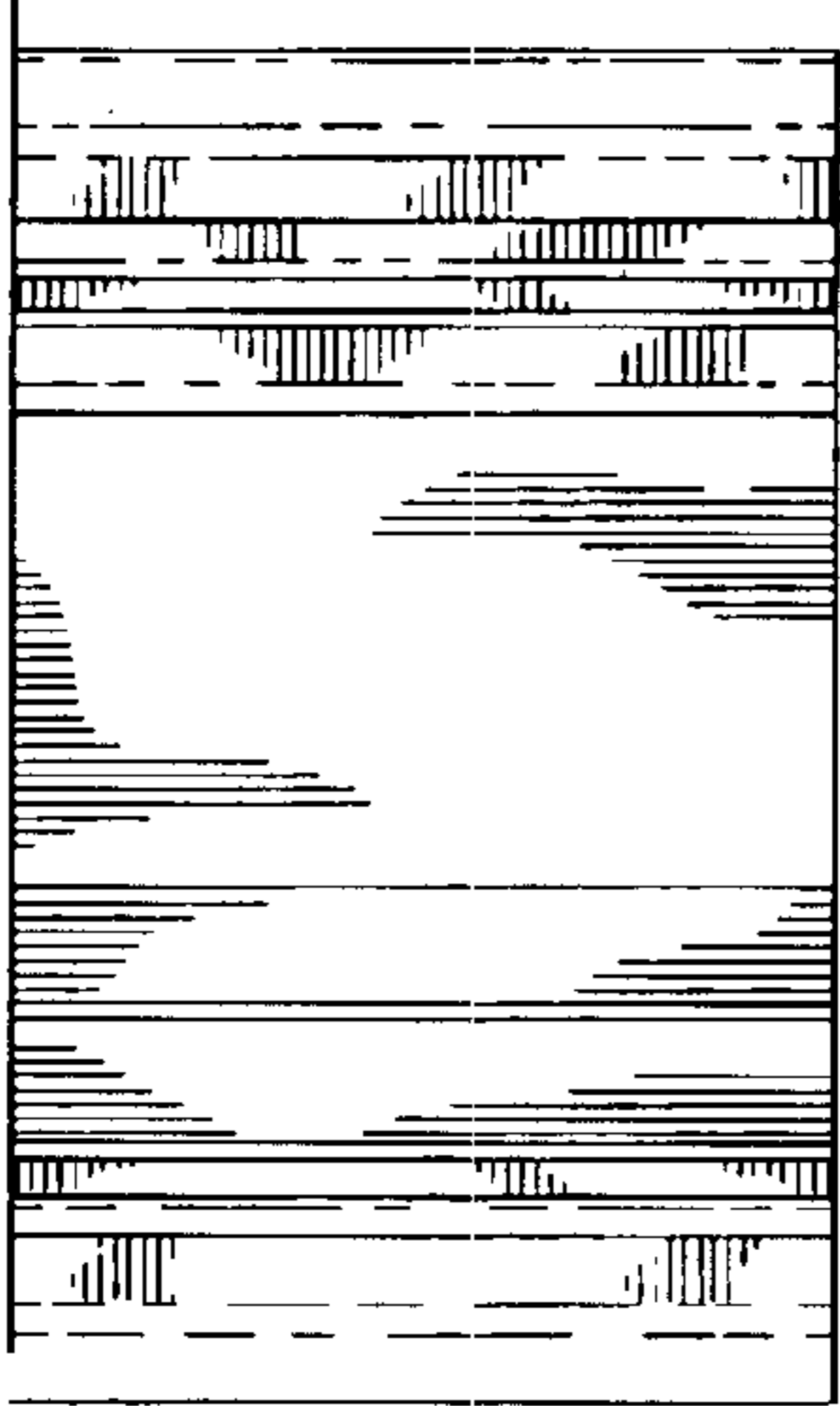


FIG. 4

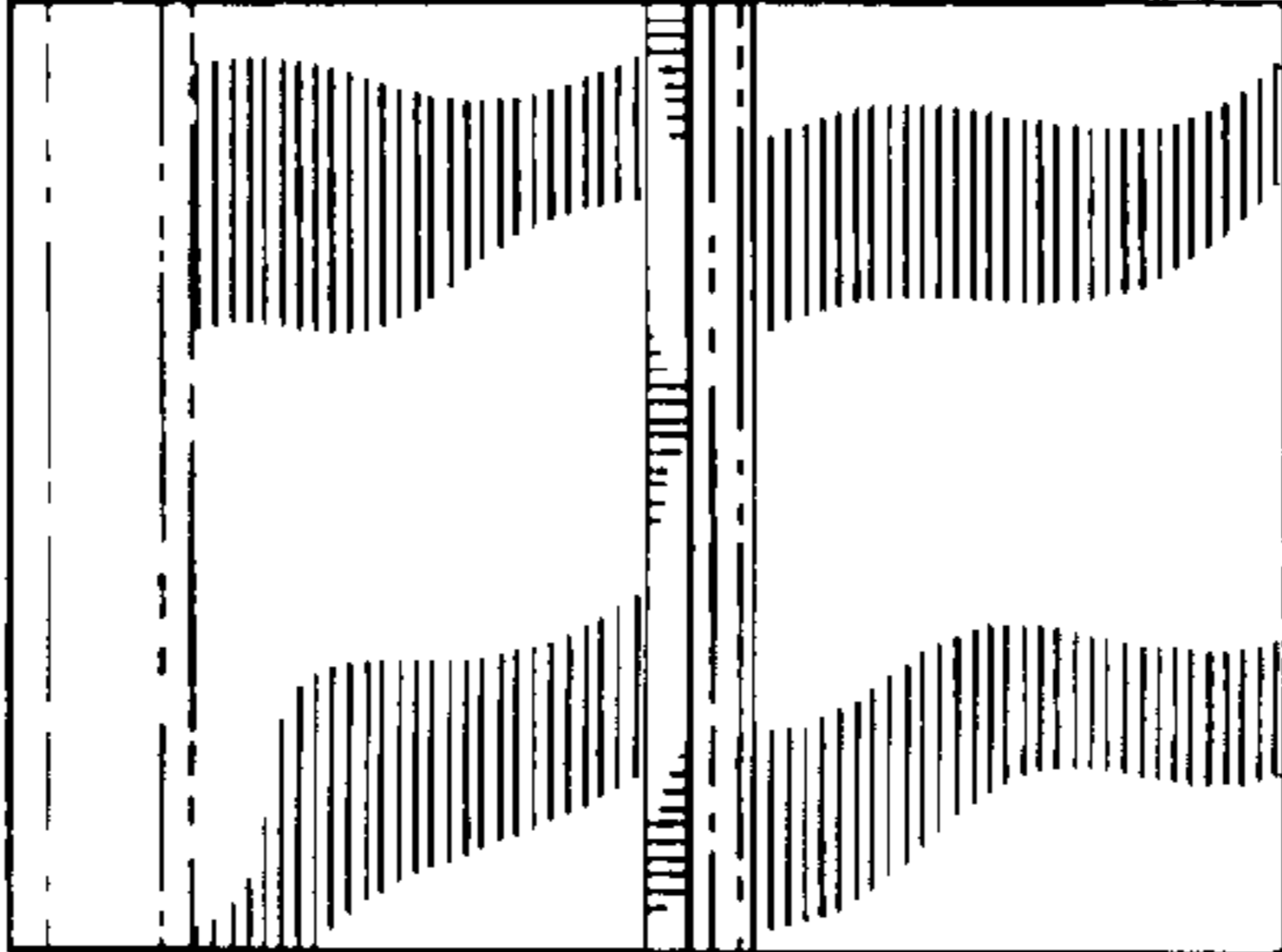


FIG. 3

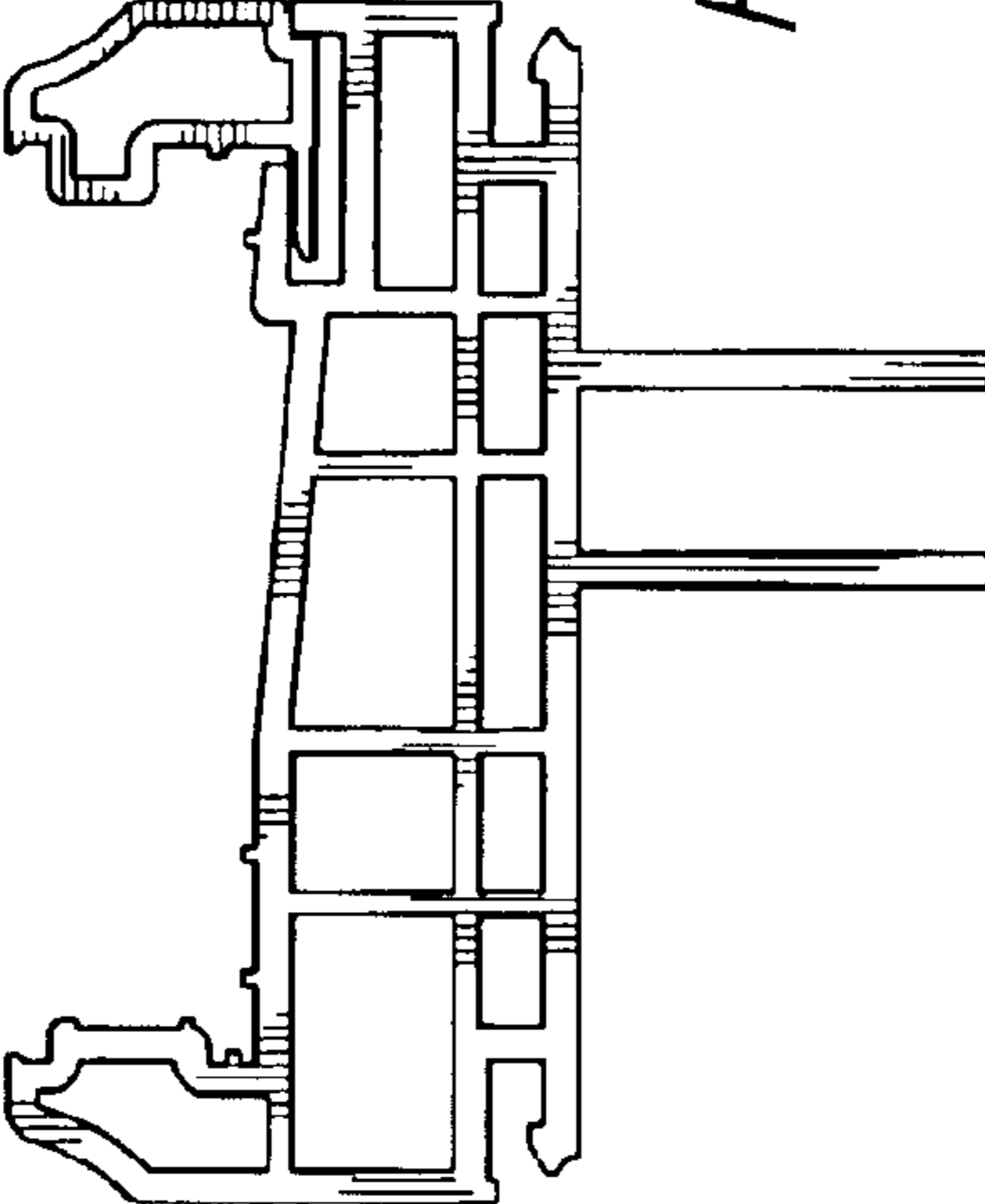


FIG. 2

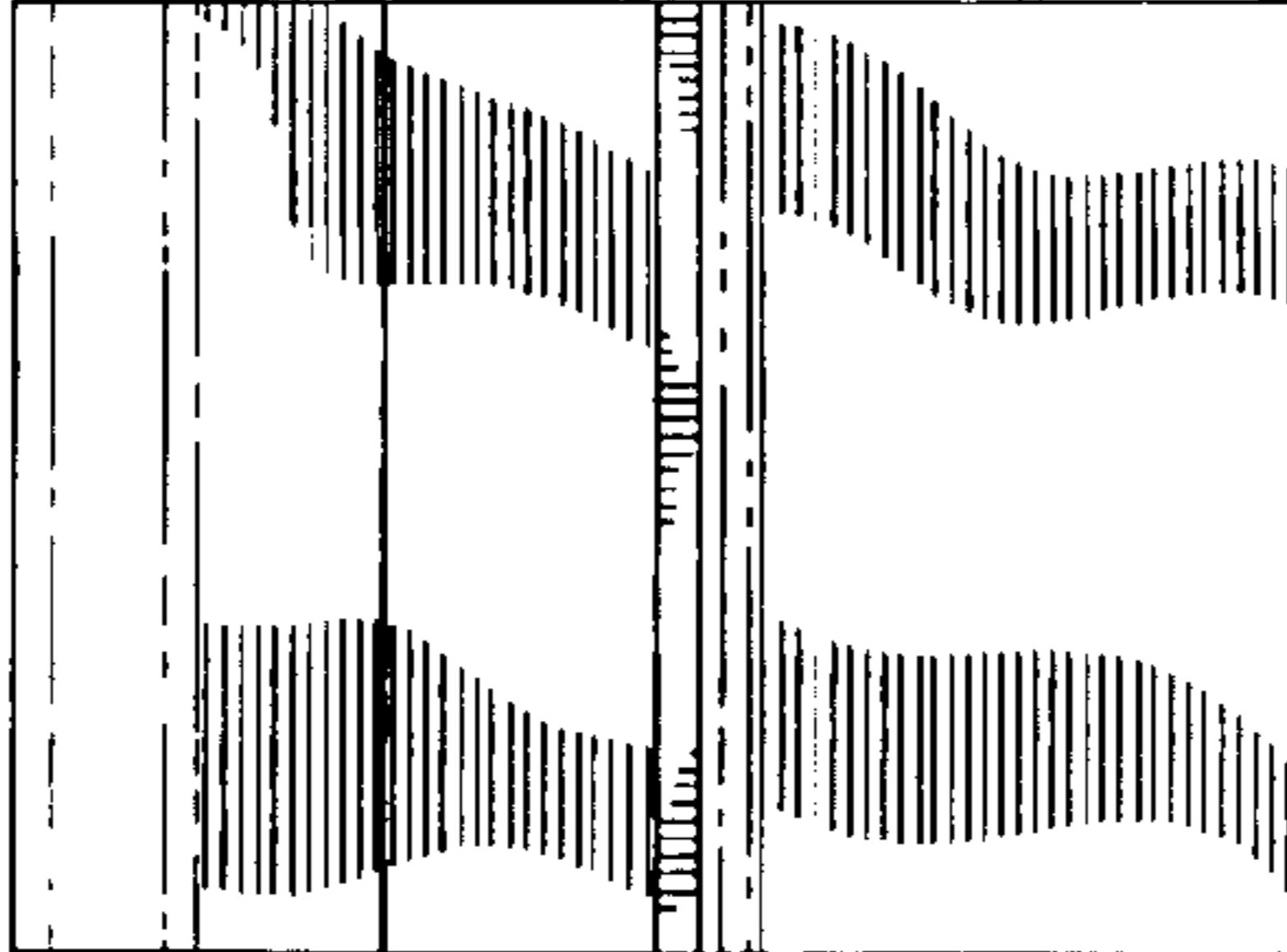


FIG. 5

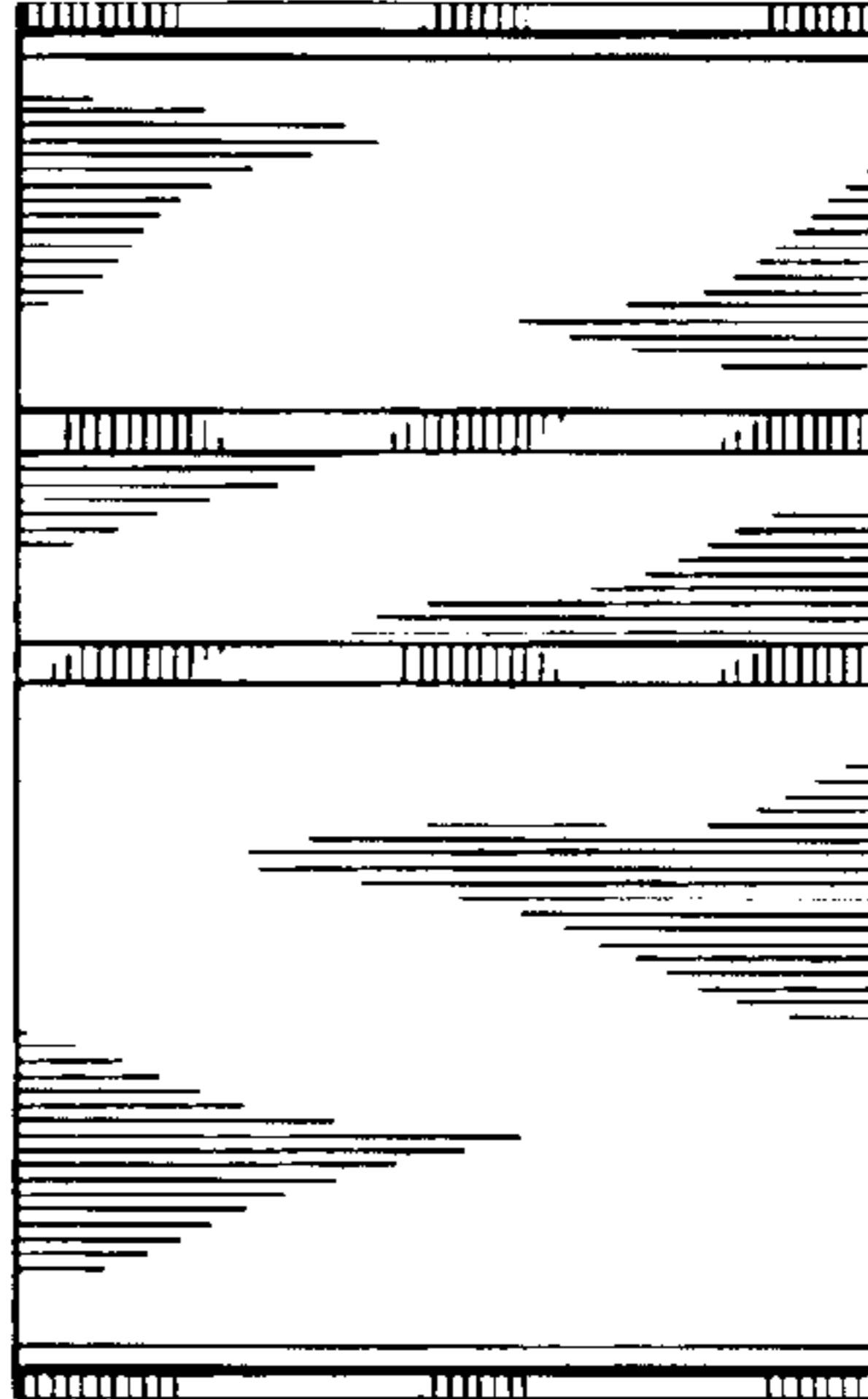


FIG. 6