



US00D510631S

(12) **United States Design Patent**
Hsu

(10) **Patent No.:** **US D510,631 S**
(45) **Date of Patent:** **** Oct. 11, 2005**

(54) **FRAME OF WINDOW/DOOR SHUTTER (II)**

6,622,433 B2 * 9/2003 Blachley 49/506

(75) Inventor: **Ben Hsu**, Changhua hsien (TW)

* cited by examiner

(73) Assignee: **Ching Feng Blinds Ind. Co., Ltd.**,
Changhua (TW)

Primary Examiner—Doris Clark

(74) *Attorney, Agent, or Firm*—Troxell Law Office, PLLC

(**) Term: **14 Years**

(57) **CLAIM**

The ornamental design for the “frame of window/door shutter (II),” as shown and described.

(21) Appl. No.: **29/208,858**

(22) Filed: **Jul. 8, 2004**

DESCRIPTION

(51) **LOC (8) Cl.** **25-01**

FIG. 1 is a perspective view of a frame of window/door shutter (II) showing my new design;

(52) **U.S. Cl.** **D25/119**

FIG. 2 is a front view thereof;

(58) **Field of Search** D25/136, 119;
49/74.1; 52/312, 473; 160/173 R, 371,
173 V

FIG. 3 is a rear view thereof;

FIG. 4 is a left side view thereof the right side is identical thereto;

(56) **References Cited**

FIG. 5 is a top view thereof; and,

FIG. 6 is a bottom view thereof.

U.S. PATENT DOCUMENTS

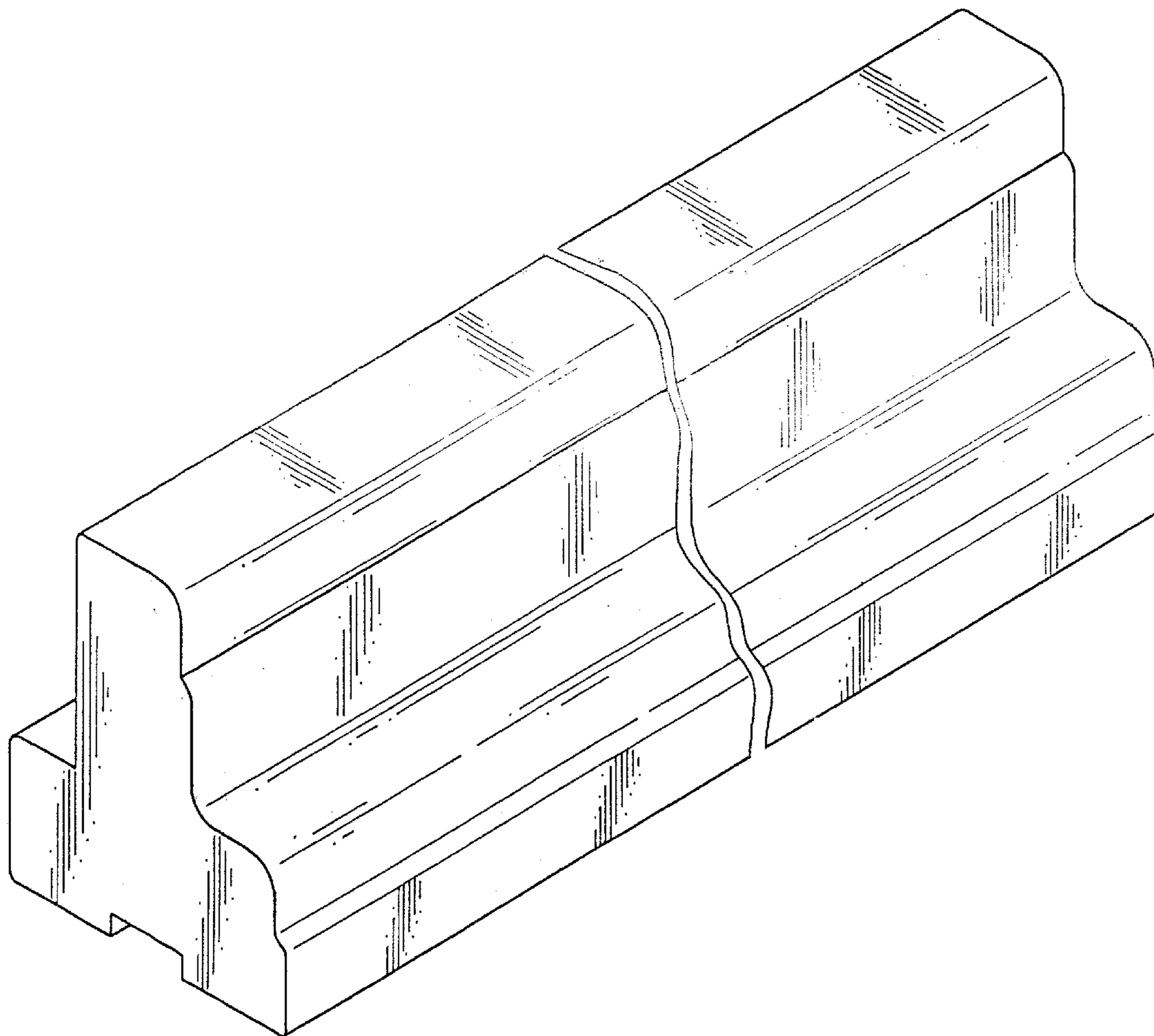
The claimed design is broken in the center indicating indeterminate length.

6,499,264 B2 * 12/2002 Swapp 52/312

D470,245 S * 2/2003 Schrader D25/119

D470,246 S * 2/2003 Schrader D25/119

1 Claim, 5 Drawing Sheets



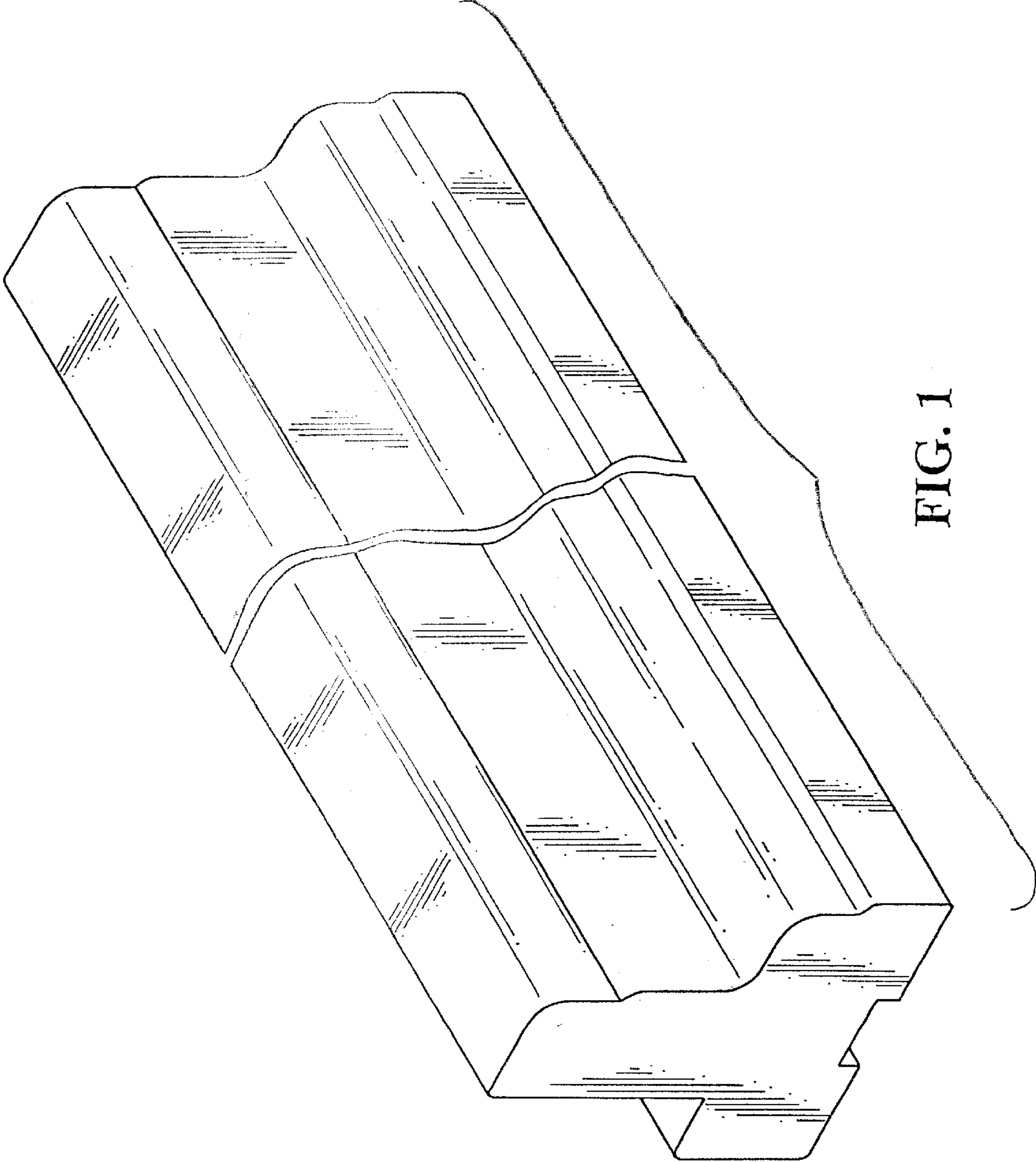


FIG. 1

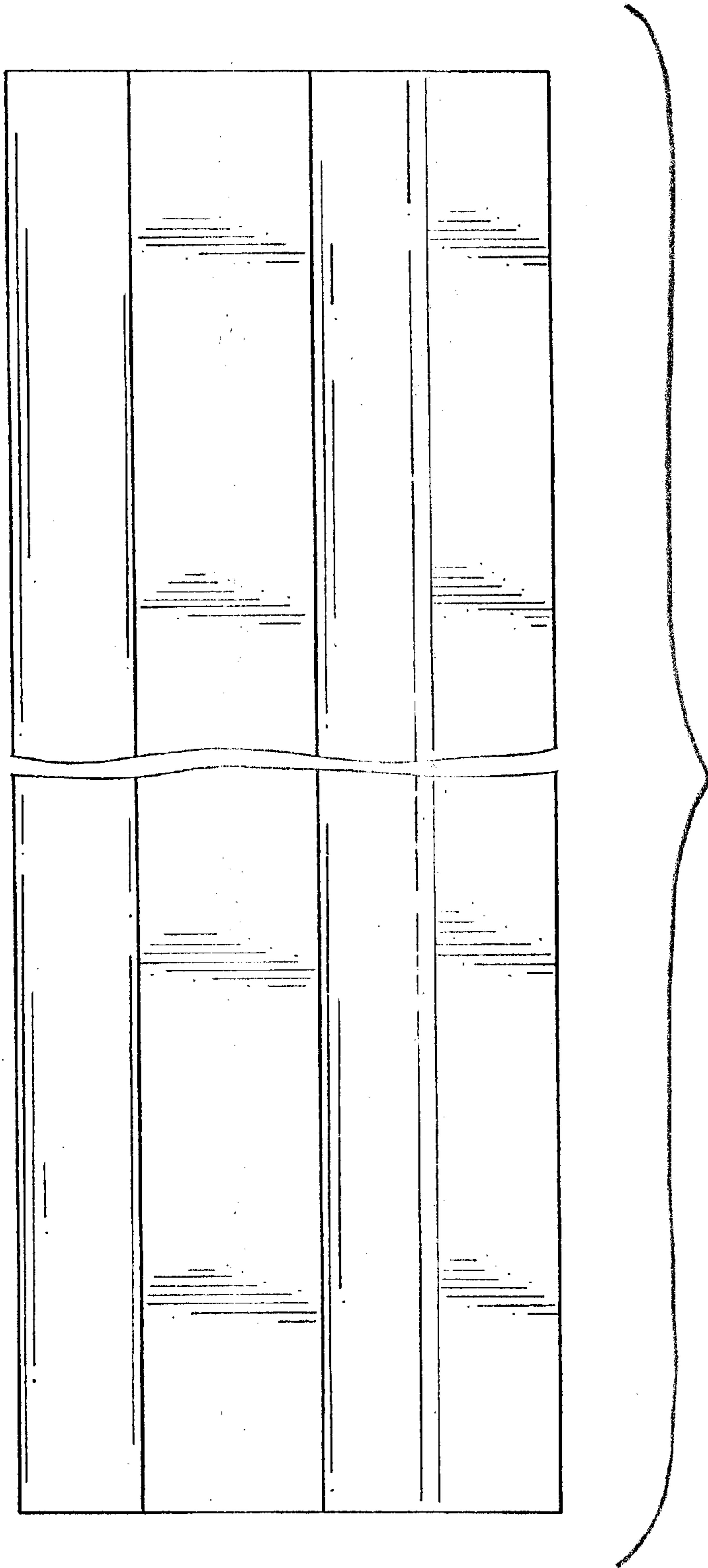


FIG. 2

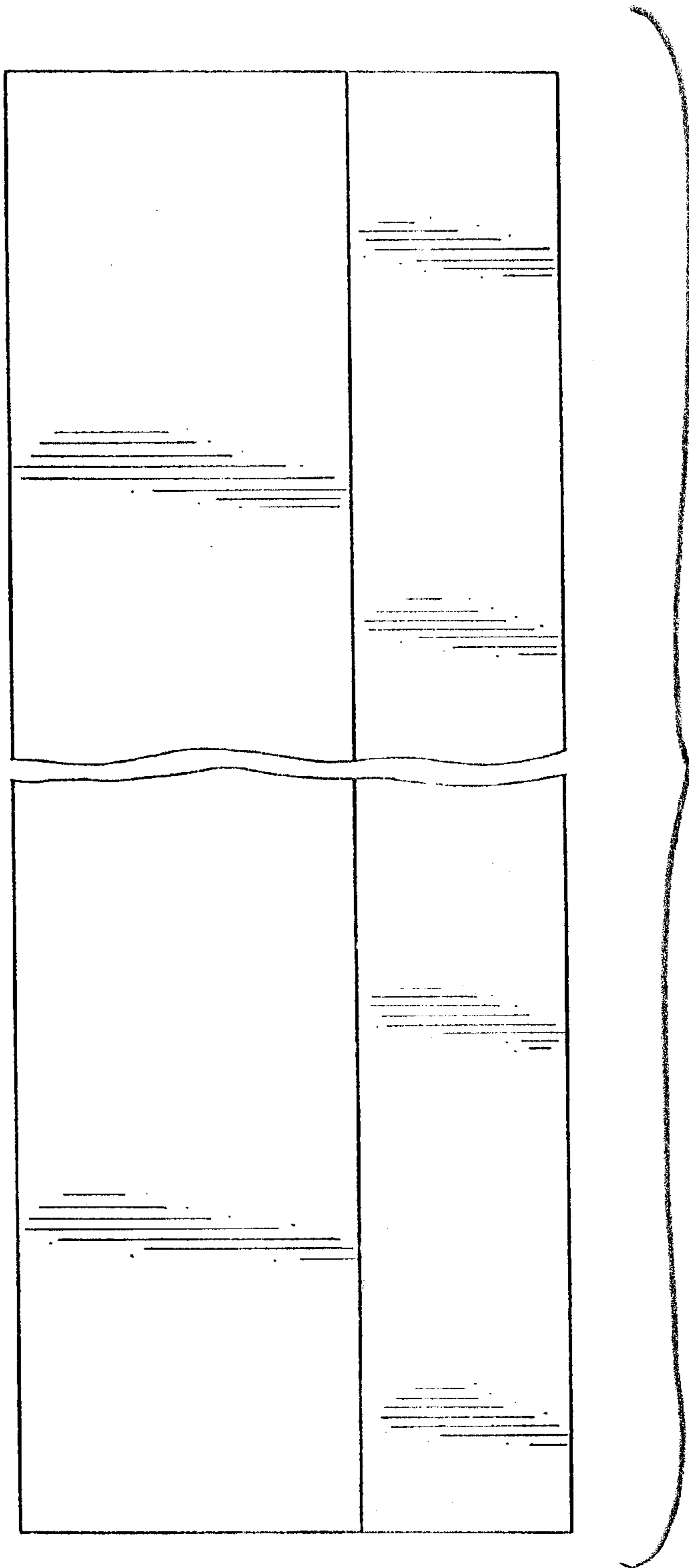


FIG. 3

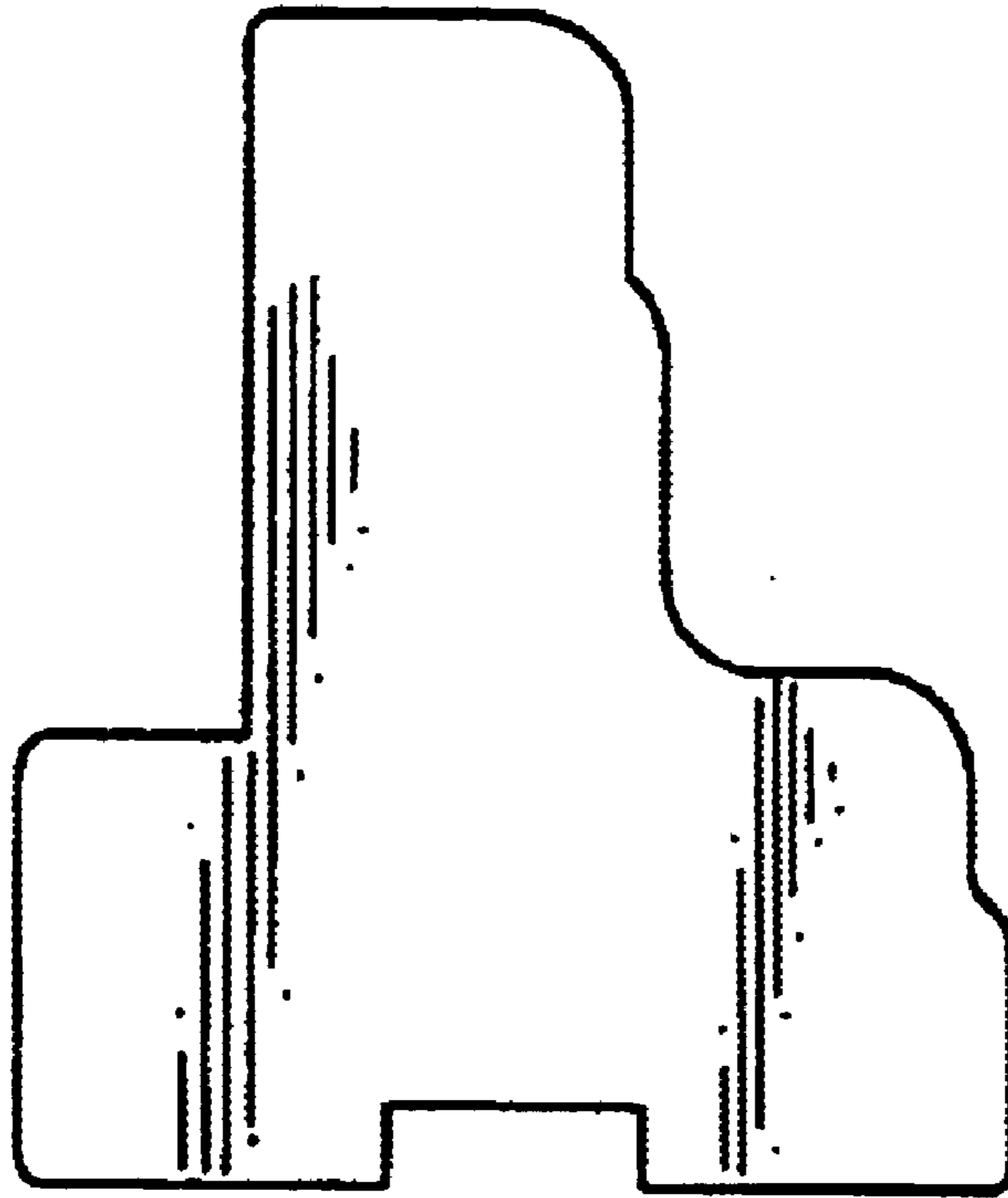


FIG. 4

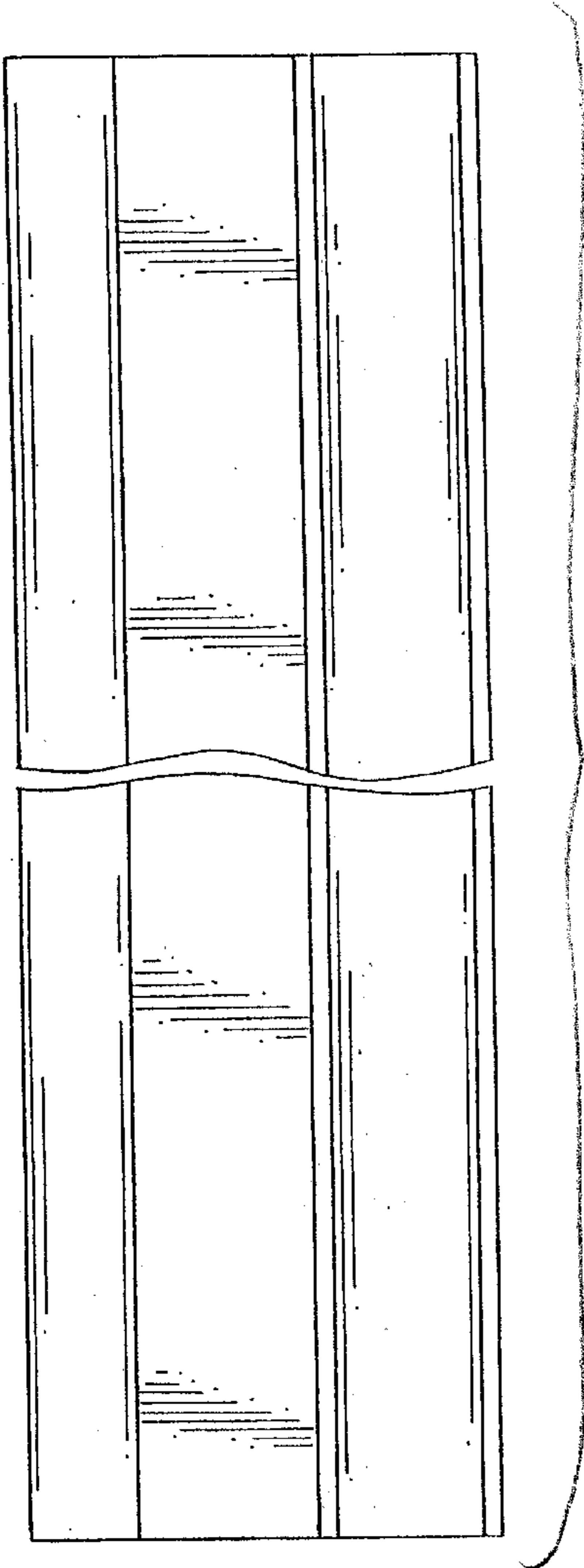


FIG. 5

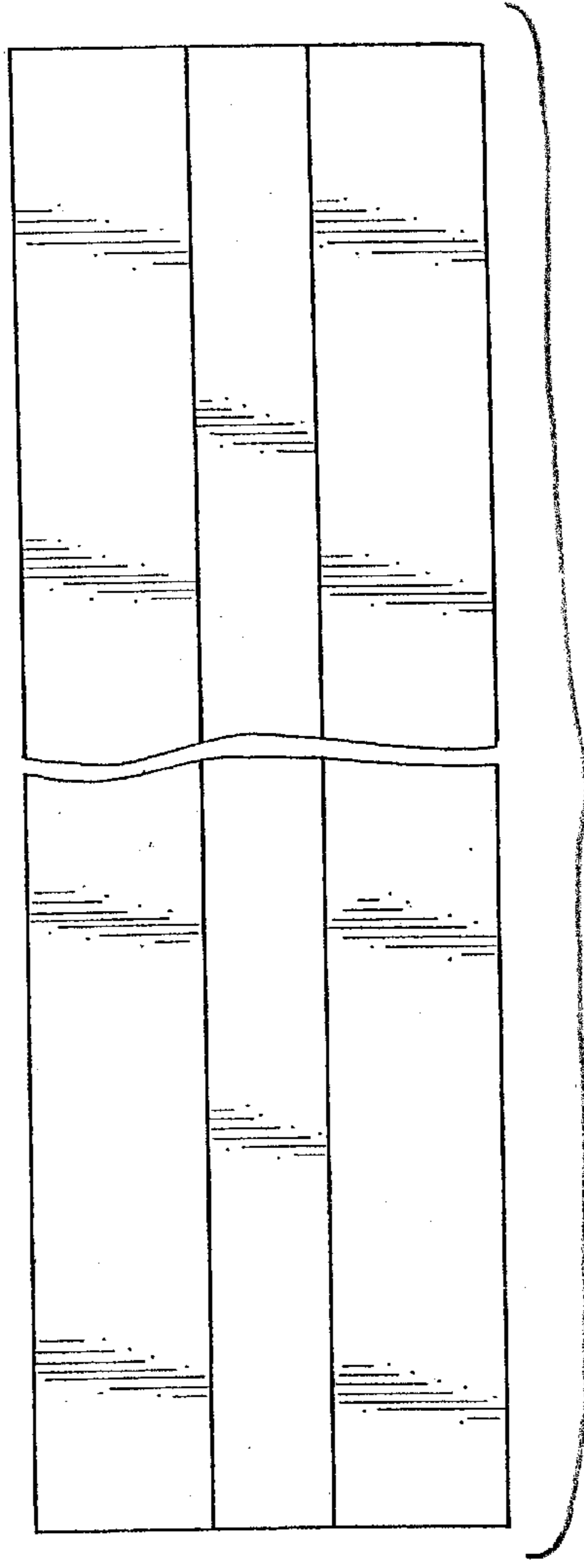


FIG. 6