



US00D510627S

(12) **United States Design Patent** (10) **Patent No.:** **US D510,627 S**
Lomberg et al. (45) **Date of Patent:** **** Oct. 11, 2005**

- (54) **LIGHT THERAPY DEVICE**
- (75) Inventors: **Michelle Lomberg**, Calgary (CA);
Mark Barrington Griffiths, Calgary (CA)
- (73) Assignee: **The Litebook Company Ltd.**, Calgary (CA)
- (**) Term: **14 Years**
- (21) Appl. No.: **29/185,458**
- (22) Filed: **Jun. 30, 2003**

- 5,820,625 A 10/1998 Izawa et al.
5,824,024 A 10/1998 Dial
5,879,155 A 3/1999 Kittelsen
5,919,217 A 7/1999 Hughes
6,007,569 A 12/1999 Frenkel et al.

(Continued)

FOREIGN PATENT DOCUMENTS

- | | | |
|----|---------|--------|
| CA | 2300569 | 3/2000 |
| CA | 2317319 | 8/2000 |
| CA | 2403314 | 9/2001 |

OTHER PUBLICATIONS

Inexpensive ganzfeld light therapy for relaxation, meditation, depression; <http://www.morningstarlight.com/pricing.html>, Nov. 27, 1999.

(Continued)

Primary Examiner—Ian Simmons
(74) *Attorney, Agent, or Firm*—Bennett Jones LLP

(57) **CLAIM**

The ornamental design for a light therapy device, as shown and described.

DESCRIPTION

FIG. 1 is a front, right side perspective view of a light therapy device showing our new design, with the rear supporting leg shown in open condition; FIG. 2 is a front elevation view thereof; FIG. 3 is a right side elevation view thereof, the left side elevation being a mirror image thereto; FIG. 4 is a right side elevation view thereof, with the rear supporting leg shown in close condition; FIG. 5 is a rear elevation thereof; FIG. 6 is a top plan view thereof; and, FIG. 7 is a bottom plan view thereof. The broken line showing in FIGS. 1, 2, 3, 4, 6 and 7 are for illustrative purposes only and forms no part of the claimed design.

1 Claim, 3 Drawing Sheets

Related U.S. Application Data

- (62) Division of application No. 29/137,738, filed on Feb. 28, 2001, now Pat. No. Des. 480,480.

(30) **Foreign Application Priority Data**

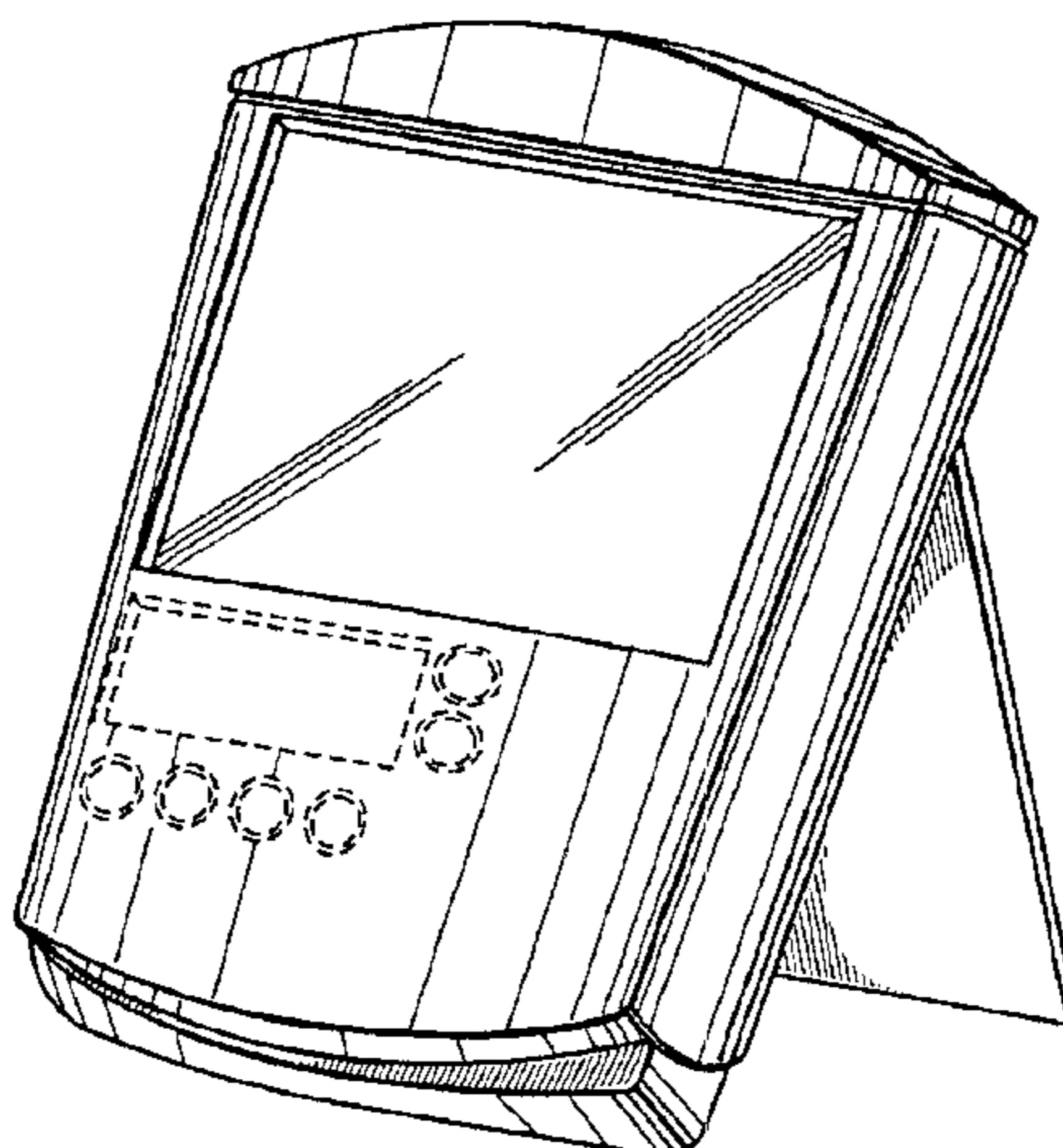
Aug. 30, 2000 (CA) 2000-2342

- (51) **LOC (8) Cl.** **28-03**
- (52) **U.S. Cl.** **D24/209**
- (58) **Field of Search** D24/200, 209, D24/210; 607/88, 90, 91, 93; 362/19, 97

(56) **References Cited**

U.S. PATENT DOCUMENTS

- | | | | |
|-------------|----------|-----------------|---------------|
| D197,908 S | 4/1964 | Chaffee | |
| D257,173 S | * 9/1980 | Francian et al. | D24/209 |
| 5,001,608 A | 3/1991 | Kehrli et al. | |
| 5,010,452 A | 4/1991 | Krebsler et al. | |
| 5,149,184 A | 9/1992 | Hughes et al. | |
| 5,197,941 A | 3/1993 | Whitaker | |
| 5,274,403 A | 12/1993 | Gott | |
| 5,447,527 A | 9/1995 | Waldman | |
| 5,447,528 A | 9/1995 | Gerardo | |
| 5,503,637 A | 4/1996 | Kyricos et al. | |
| 5,545,192 A | 8/1996 | Czeisler et al. | |
| 5,733,032 A | 3/1998 | Bolta et al. | |
| 5,782,895 A | 7/1998 | Zarate et al. | |
| 5,800,479 A | 9/1998 | Thiberg | |



U.S. PATENT DOCUMENTS

D432,659 S 10/2000 Bolleter
6,135,117 A 10/2000 Campbell et al.
6,164,787 A 12/2000 Seki et al.
6,167,648 B1 1/2001 Dimmick
6,235,046 B1 5/2001 Gerdt
6,290,713 B1 9/2001 Russell
6,299,632 B1 10/2001 Jaillet
6,350,275 B1 2/2002 Vreman et al.
6,443,977 B1 9/2002 Jaillet
6,488,698 B1 12/2002 Hyman
D480,480 S * 10/2003 Lomberg et al. D24/209
2001/0056293 A1 12/2001 Brainard
2003/0069616 A1 4/2003 Skene et al.

OTHER PUBLICATIONS

Description of the Technology; Morning StarLight; Morning StarLight Light Therapy System for Seasonal Affective Disorder, SAD, Meditation, Relaxation; Nov. 27, 1999.
The Practical Method To Prevent Jet Lag Based On Break-through Research; Jet Lag Calculator; Bio-Brite, Inc. © 1994.
Light Therapy Products; Products, Lamps—LightTherapy Products; http://www.lighttherapyproducts.com/products_lamps/html, Jan. 2, 1999.

Northern Light Technologies, The SADELITE.
Information on (sub-) seasonal affective disorder and Bright Light; Phillips.
R.W. Lam and A.J. Levitt; Canadian Consensus Guidelines for the Treatment of Seasonal Affective Disorder: A Summary of the Report of the Canadian Consensus Group on SAD; <http://www-ths.mcmaster.ca/direct/sad2.html>; Aug. 19, 1999.
C.E. Reme et al, Bright light therapy in focus; lamp emission spectra and ocular safety; Technology and Health Care 4 (1996) 403–413 IOS Press.
Outside In's Home Page; Outside In Home Page : Info on SAD, Body Clock, Jetlag, Winter Depression and Light; <http://www.outsidein.co.uk/index.htm>; Jun. 19, 1999.
Uplift Day–Light; Brighten your Day . . . Uplift your Workspace.
Light: An Essential Part Of Your Life; Day–Lights . . . Light Systems For Better Living From: DayLight Technologies, Inc.; Toronto, Canada.
U.S. Appl. No. 09/710,782, Pederson et al.
U.S. Appl. No. 09/710,782, Pederson et al., filed Nov. 2000.

* cited by examiner

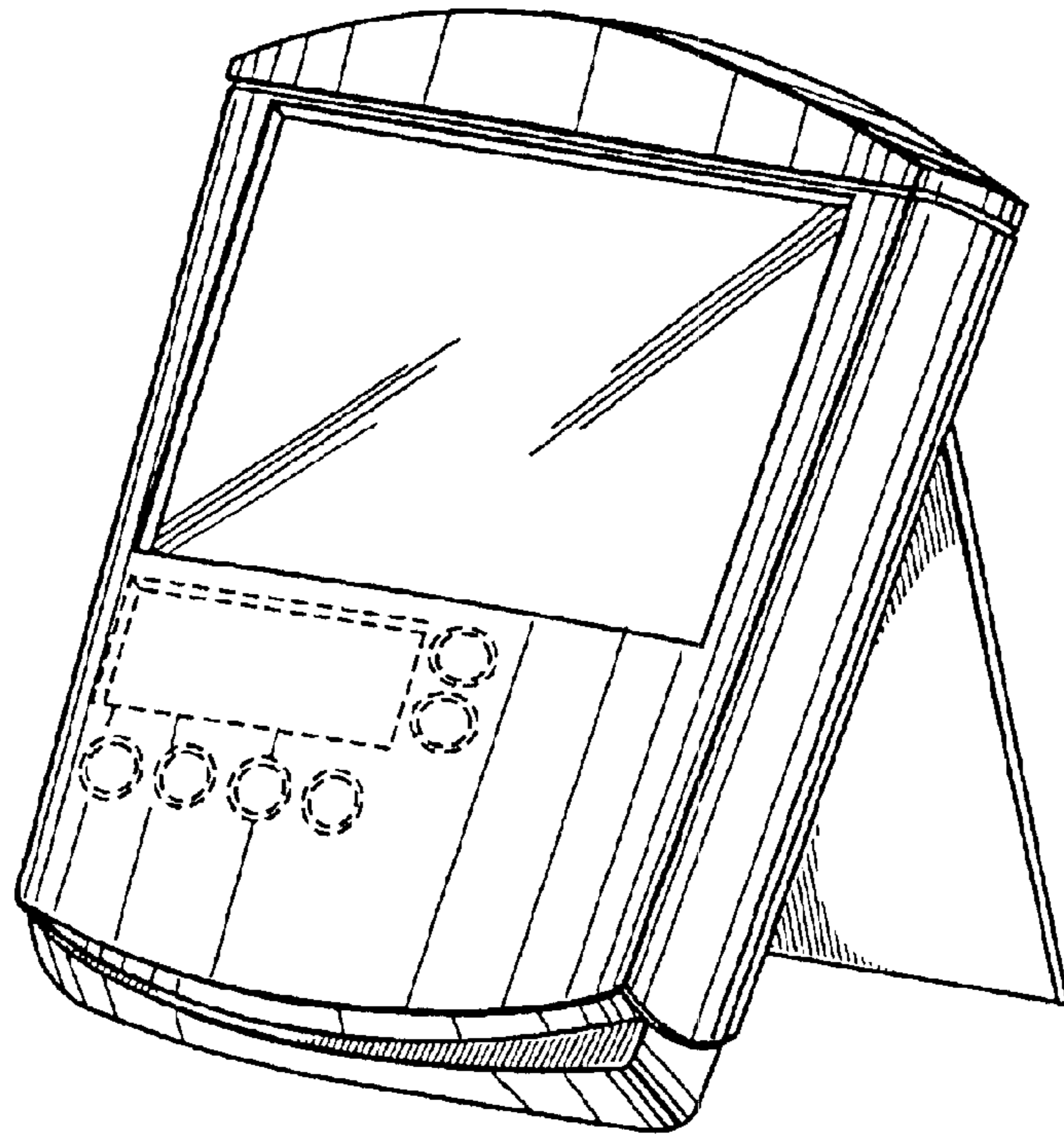


FIG. 1

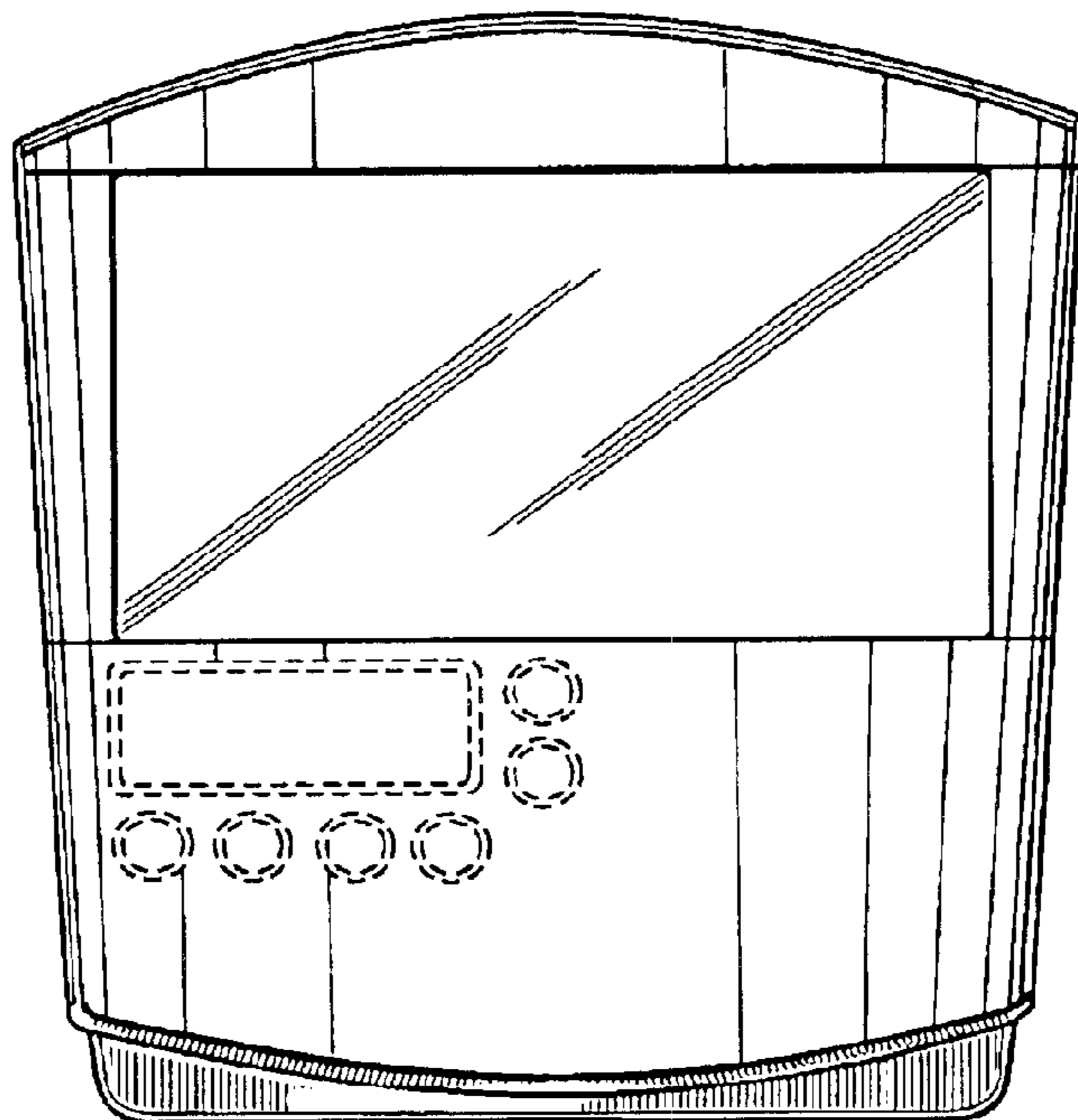


FIG. 2

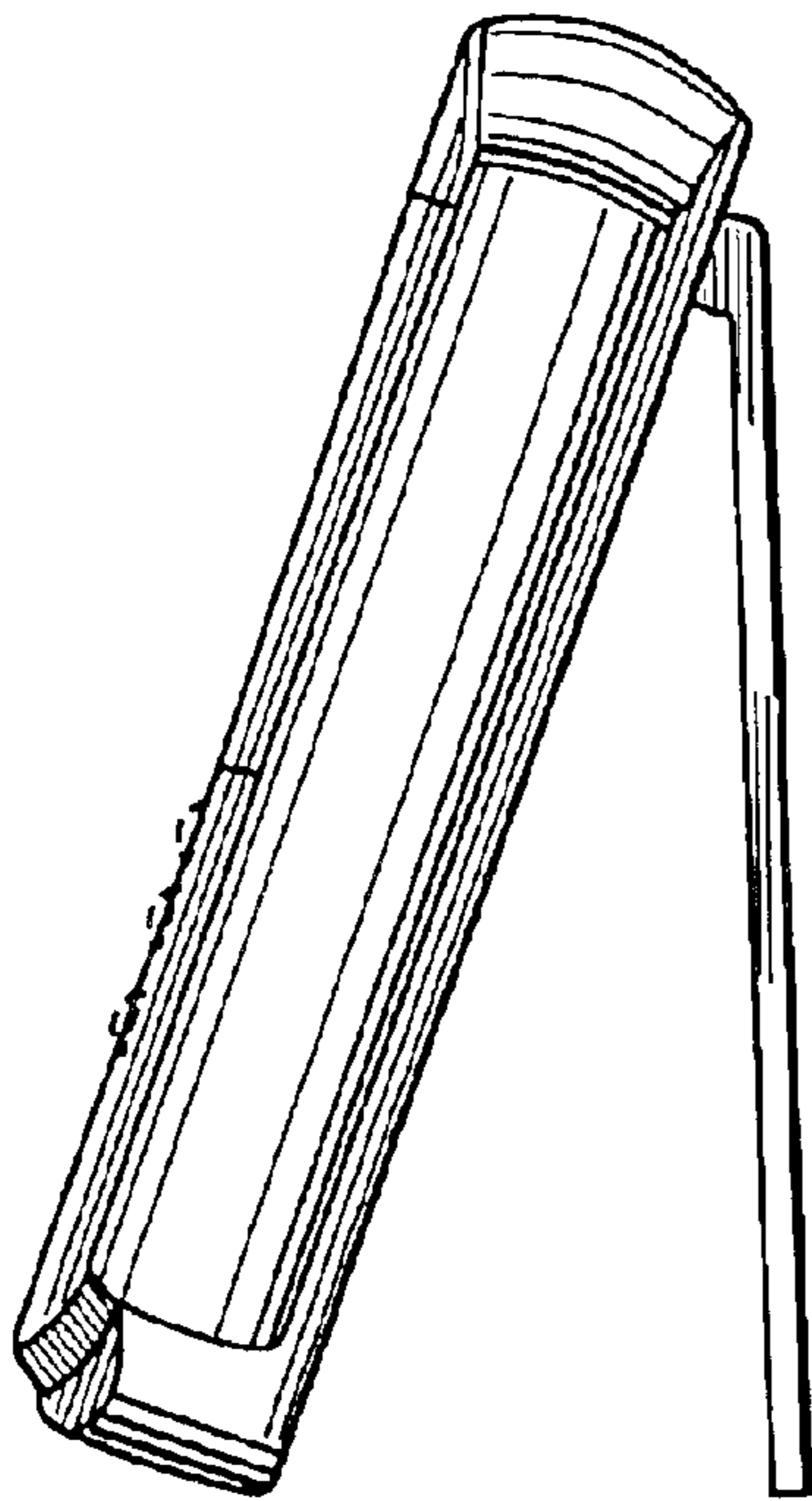


FIG. 3



FIG. 4

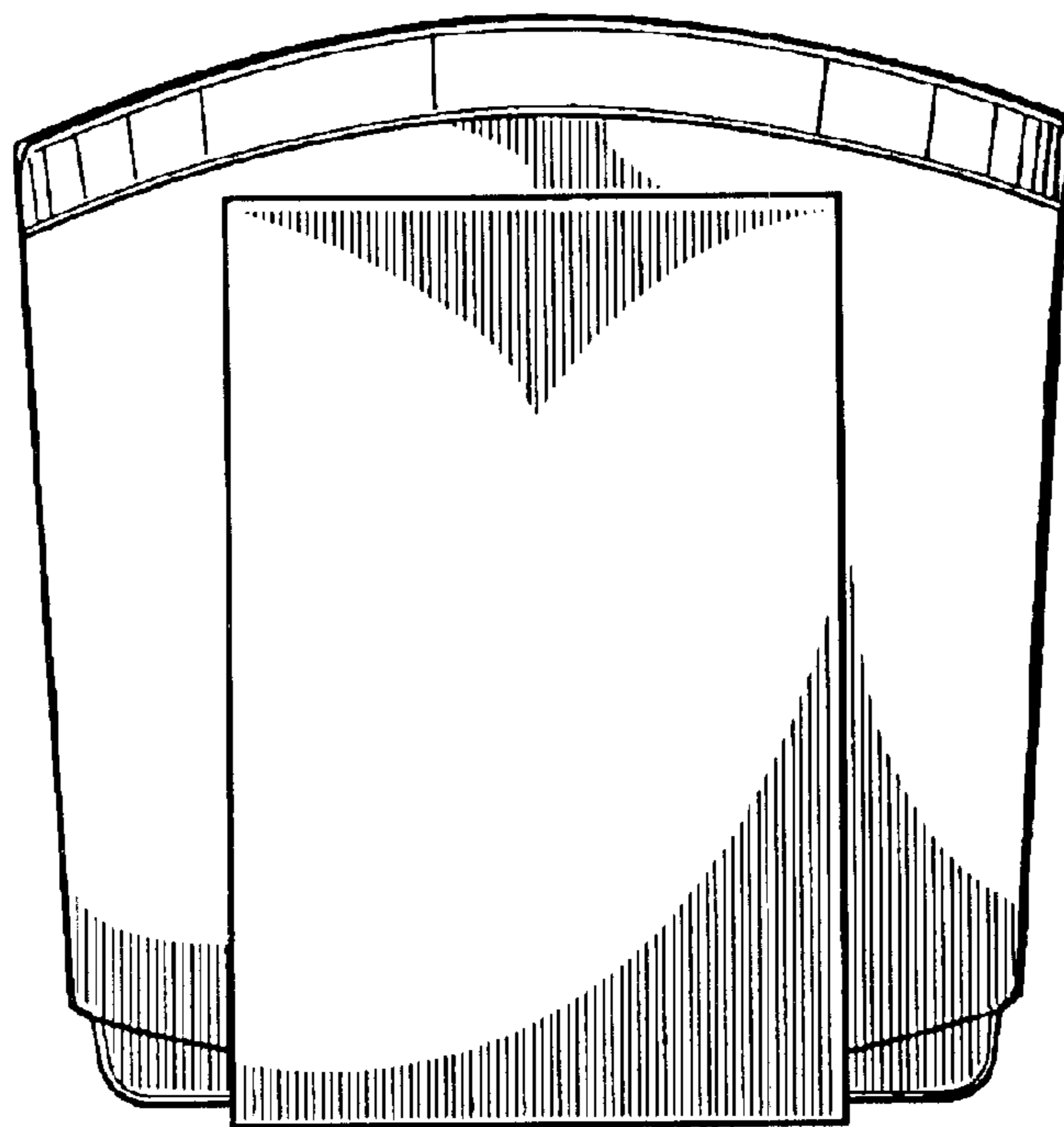


FIG. 5



FIG. 6

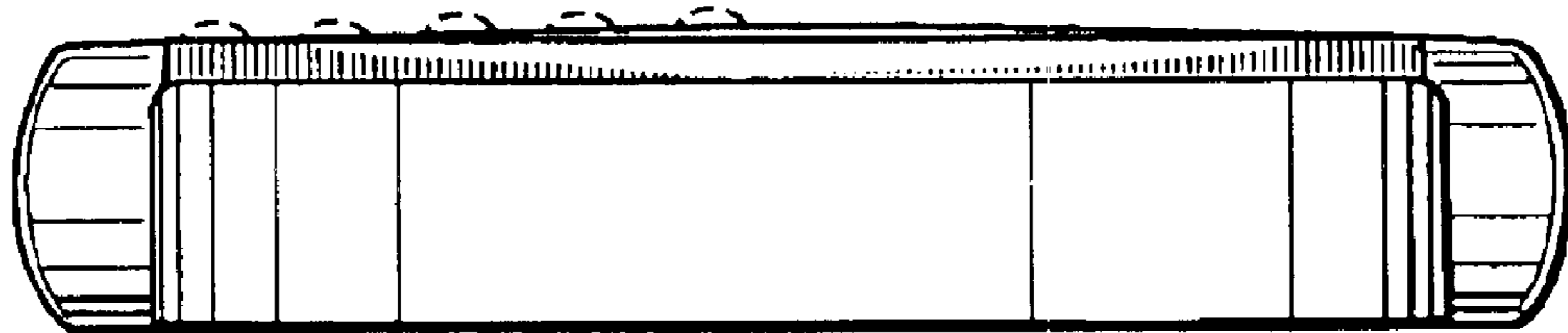


FIG. 7