



US00D510622S

(12) **United States Design Patent**
Tai

(10) **Patent No.:** **US D510,622 S**

(45) **Date of Patent:** **** Oct. 11, 2005**

(54) **COMBINED CEILING FAN HOUSING AND LIGHT KIT**

(76) **Inventor:** **David Tai**, 19507 N. 65th Ave.,
Glendale, AZ (US) 85308

(**) **Term:** **14 Years**

(21) **Appl. No.:** **29/190,876**

(22) **Filed:** **Sep. 26, 2003**

(51) **LOC (8) Cl.** **23-04**

(52) **U.S. Cl.** **D23/411**

(58) **Field of Search** D23/411, 377,
D23/379, 385, 413; 416/5; D26/81-86,
59, 57, 72; 362/96; 392/364

(56) **References Cited**

U.S. PATENT DOCUMENTS

D465,277 S * 11/2002 Sonneman D23/411

D476,411 S * 6/2003 Friedes D23/411

* cited by examiner

Primary Examiner—Lisa Lichtenstein

(74) *Attorney, Agent, or Firm*—Parsons & Goltry; Michael
W. Goltry; Robert A. Parsons

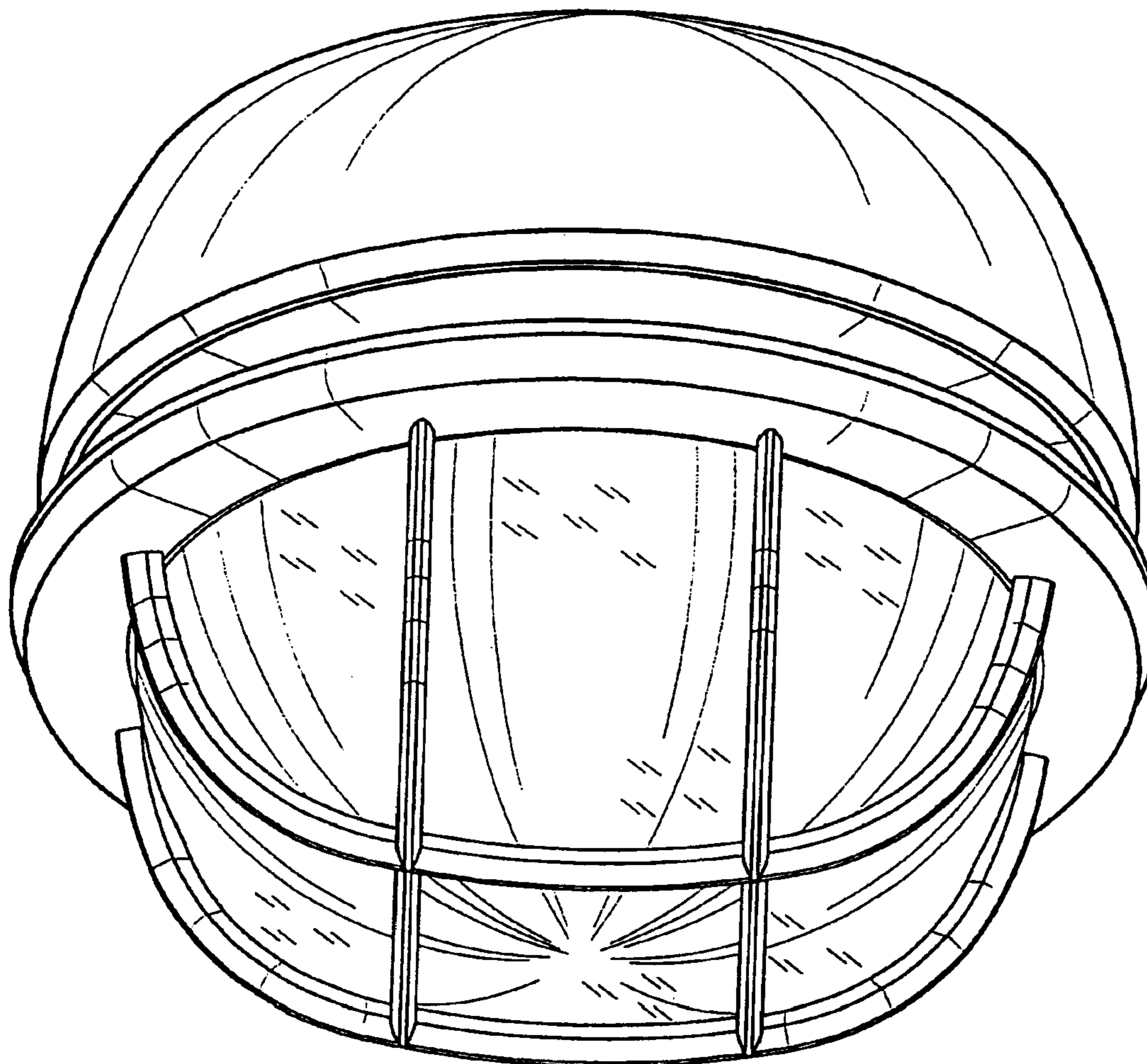
(57) **CLAIM**

The ornamental design for a combined ceiling fan housing
and light kit, as shown and described.

DESCRIPTION

FIG. 1 is a bottom perspective view of a combined ceiling
fan housing and light kit showing my new design;
FIG. 2 is a top perspective view thereof;
FIG. 3 is a top plan view thereof;
FIG. 4 is a bottom plan view thereof; and,
FIG. 5 is a front elevational view thereof, the rear elevational
view, the left side elevational view, and the right side
elevational view being substantially the same thereof.

1 Claim, 5 Drawing Sheets



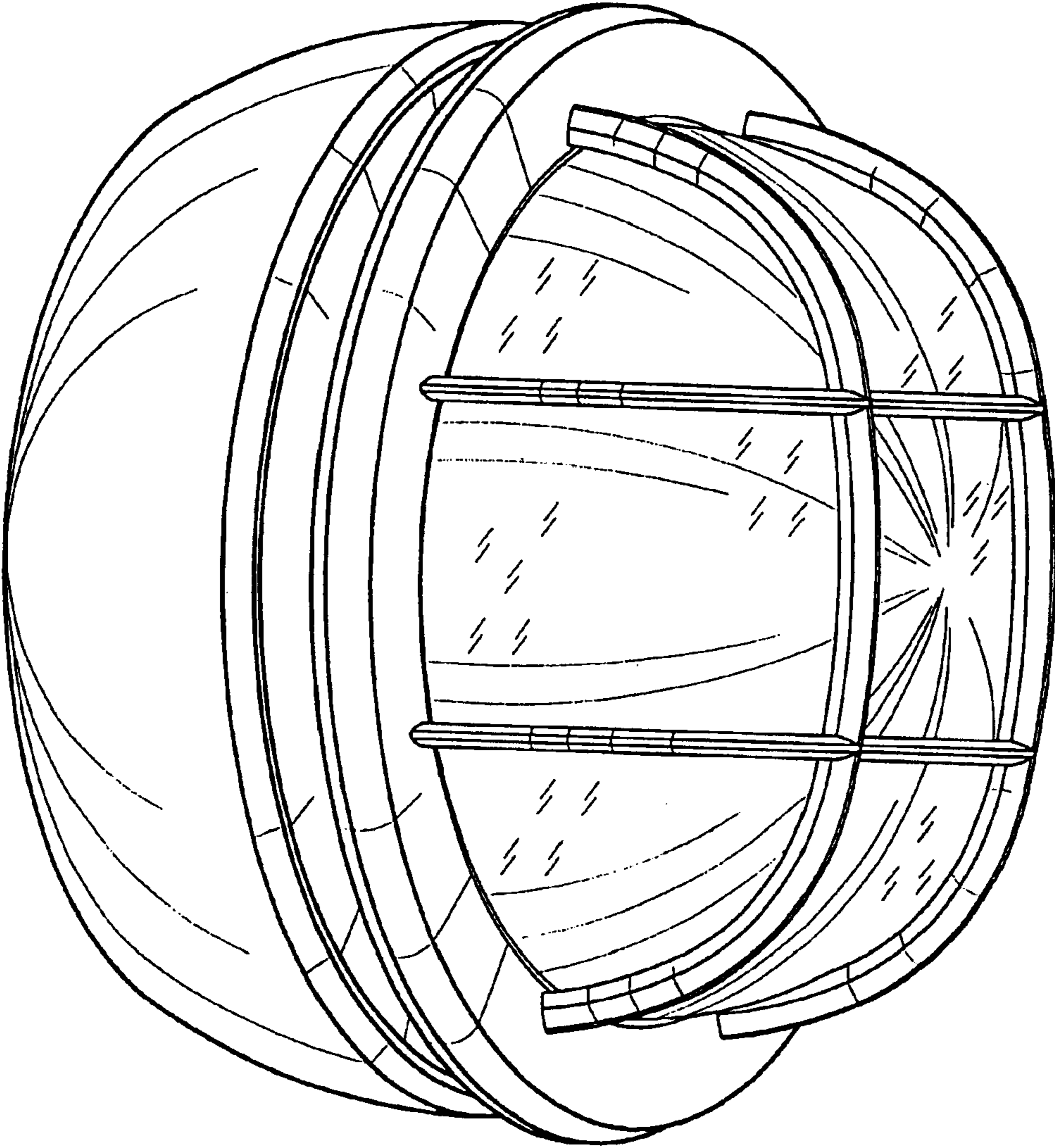


FIG. 1

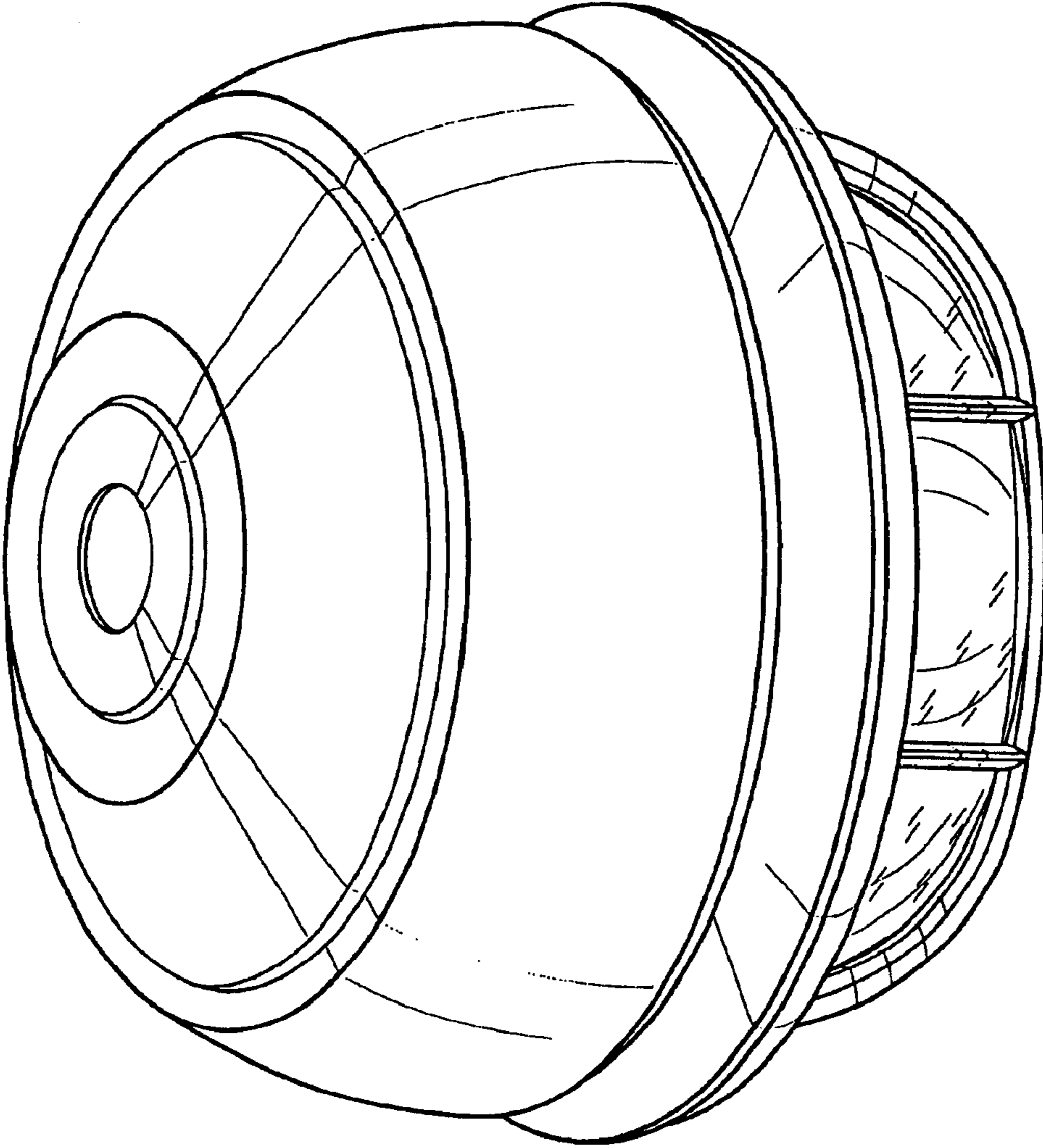


FIG. 2

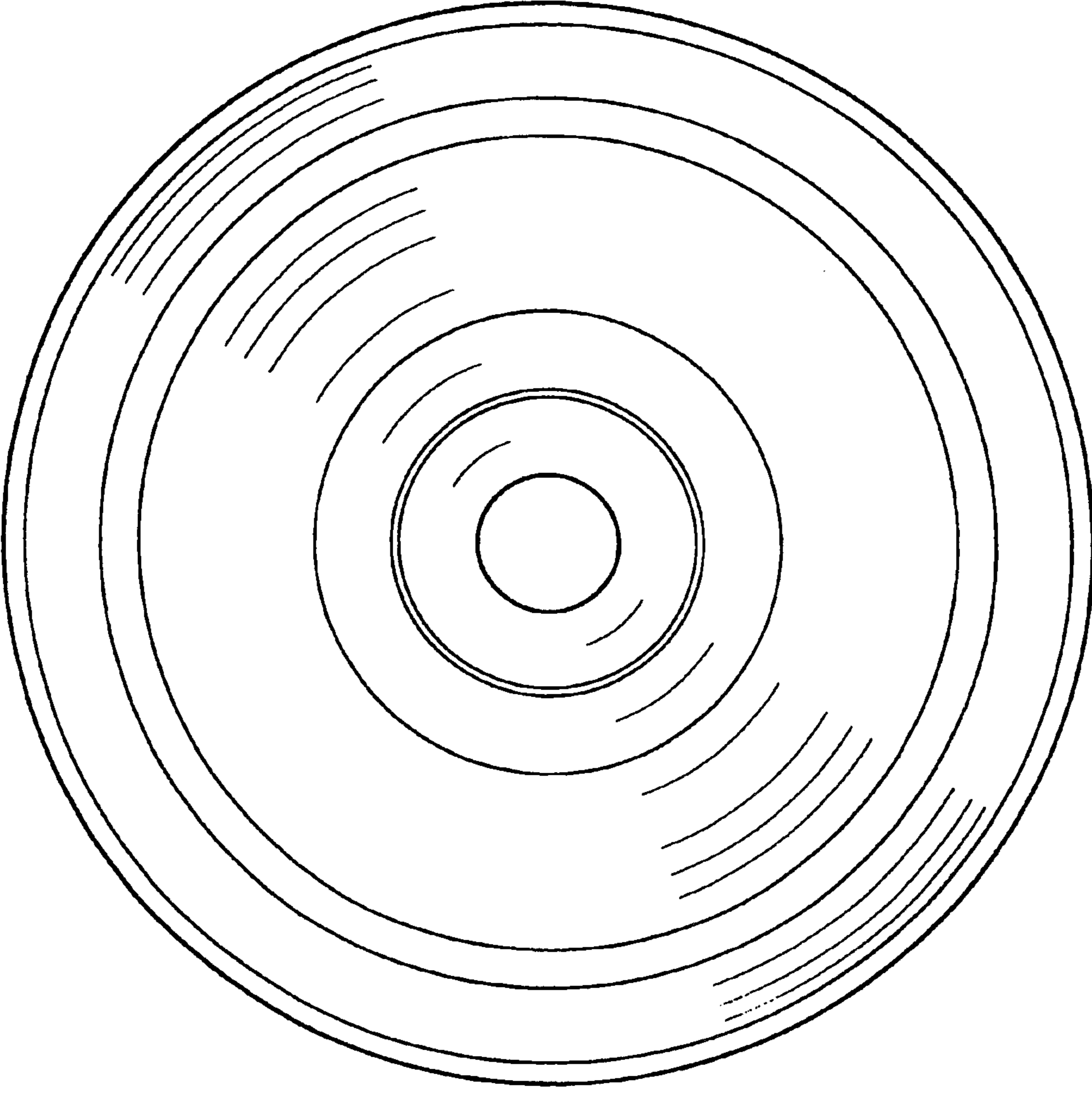


FIG.3

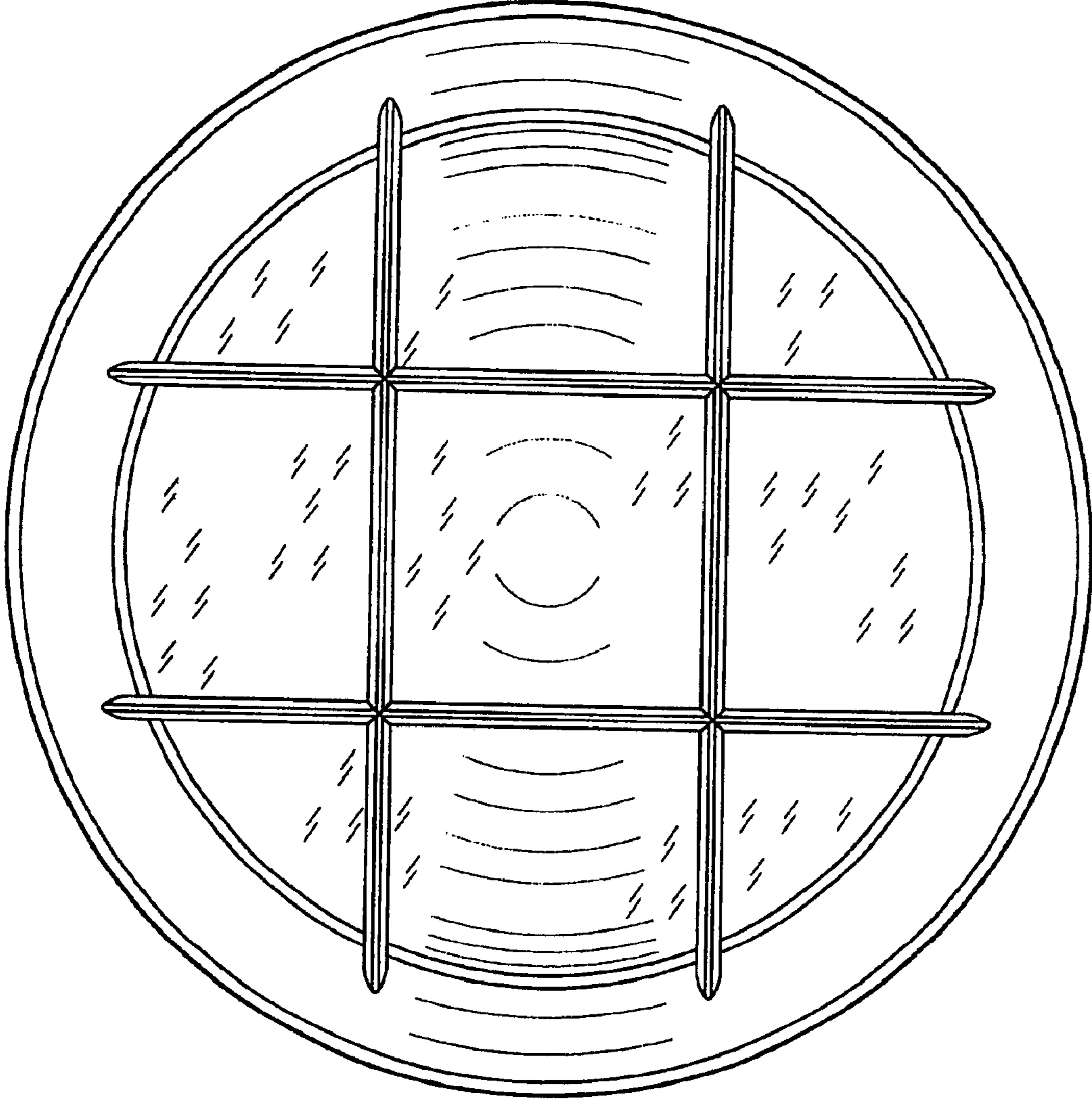


FIG. 4

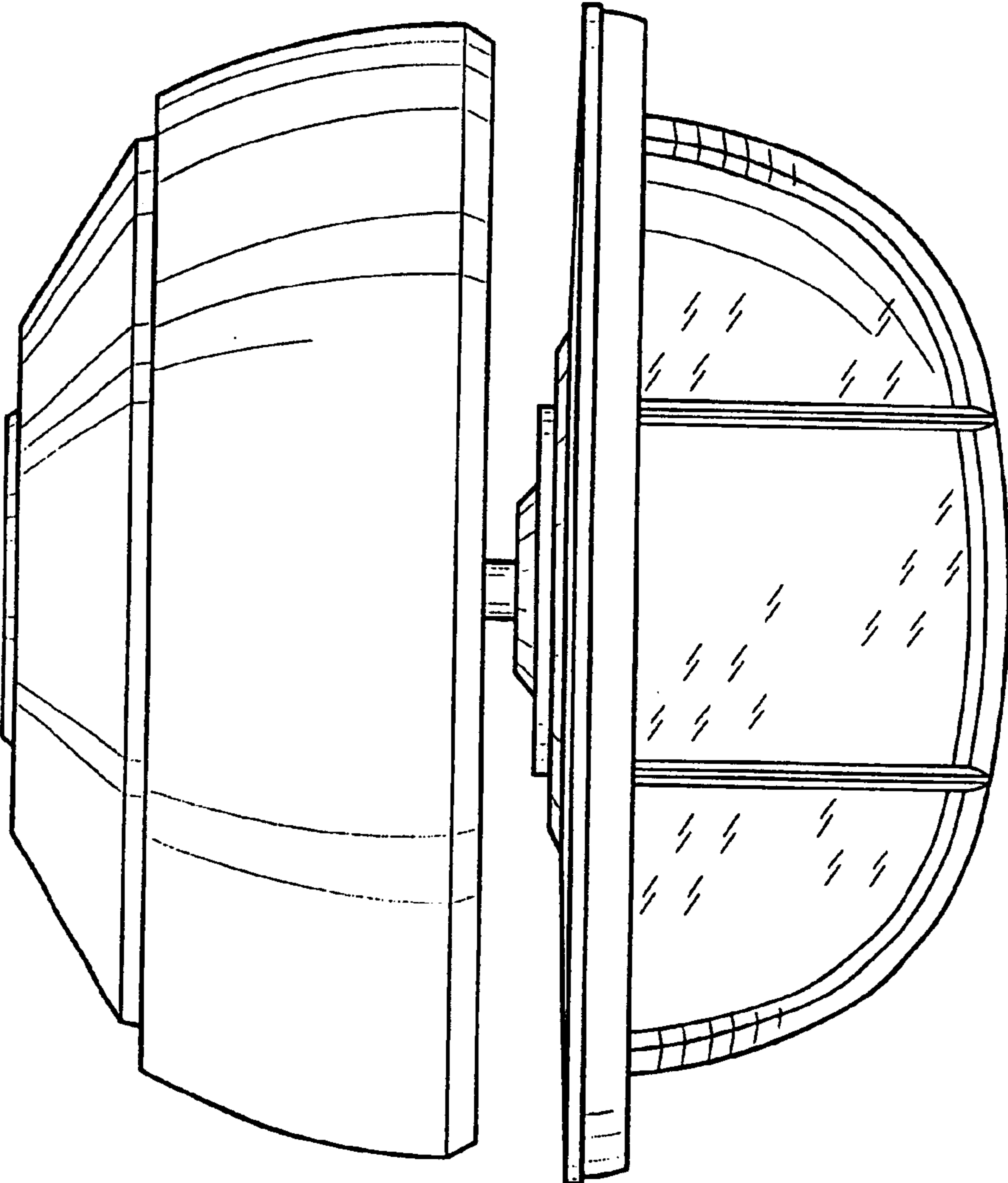


FIG. 5

UNITED STATES PATENT AND TRADEMARK OFFICE
CERTIFICATE OF CORRECTION

PATENT NO. : Des. 510,622 S
DATED : October 11, 2005
INVENTOR(S) : Mark Pickett

Page 1 of 1

It is certified that error appears in the above-identified patent and that said Letters Patent is hereby corrected as shown below:

Title page.

Item [75], Inventor, replace "**David Tai**" with -- **Mark Pickett** --.

Signed and Sealed this

Third Day of January, 2006

A handwritten signature in black ink on a light gray dotted background. The signature reads "Jon W. Dudas" in a cursive style.

JON W. DUDAS

Director of the United States Patent and Trademark Office