



US00D510620S

(12) **United States Design Patent** (10) **Patent No.:** **US D510,620 S**
Young (45) **Date of Patent:** **** Oct. 11, 2005**

(54) **CEILING FAN**

(75) Inventor: **Stanfield Young**, Garden Grove, CA (US)

(73) Assignee: **Minka Lighting, Inc.**, Corona, CA (US)

(**) Term: **14 Years**

(21) Appl. No.: **29/204,841**

(22) Filed: **May 5, 2004**

(51) **LOC (8) Cl.** **23-04**

(52) **U.S. Cl.** **D23/377**

(58) **Field of Search** D23/377, 379, D23/385, 413; D26/59, 81-86, 88, 51, 72; 416/5; 362/96

(56) **References Cited**

U.S. PATENT DOCUMENTS

- D328,785 S * 8/1992 Markwardt D23/377
- D480,465 S 10/2003 Wilson
- D492,022 S * 6/2004 Young D23/377

OTHER PUBLICATIONS

- Hampton Bay Ceiling Fans; vol. 1; Spring/Summer 2004; p. 27, Mar. 2004, Home Depot, Inc. USA.
- Craftmade 2003 New Products Jan. Update; p. 4, Jan. 2003, Craftmade, Inc. USA.
- Home Lighting & Accessories; vol. 87, No. 3; p. 109 (The Oslo Collection), p. 110 (Kitty Hawk) and p. 121 (Voyager), Mar. 2004, The Oslo Collection by Ellington Fans; Kitty Hawk Ceiling Fan by Emerson Fans; Voyager by Concord Fans.
- Expo Design Center Advertisement; Hampton Bay Gallery Cessna Ceiling Fan; p. 299, Apr. 2004, Home Depot, Inc. USA.
- U.S. Appl. No. 29/204,852, filed May 5, 2004, Stanfield Young.
- U.S. Appl. No. 29/204/850, filed May 5, 2004, Stanfield Young.

U.S. Appl. No. 29/204,851, filed May 5, 2004, Stanfield Young.

U.S. Appl. No. 29/204,842, filed May 5, 2004, Stanfield Young.

(Continued)

Primary Examiner—Lisa Lichtenstein
(74) *Attorney, Agent, or Firm*—Baker & McKenzie LLP

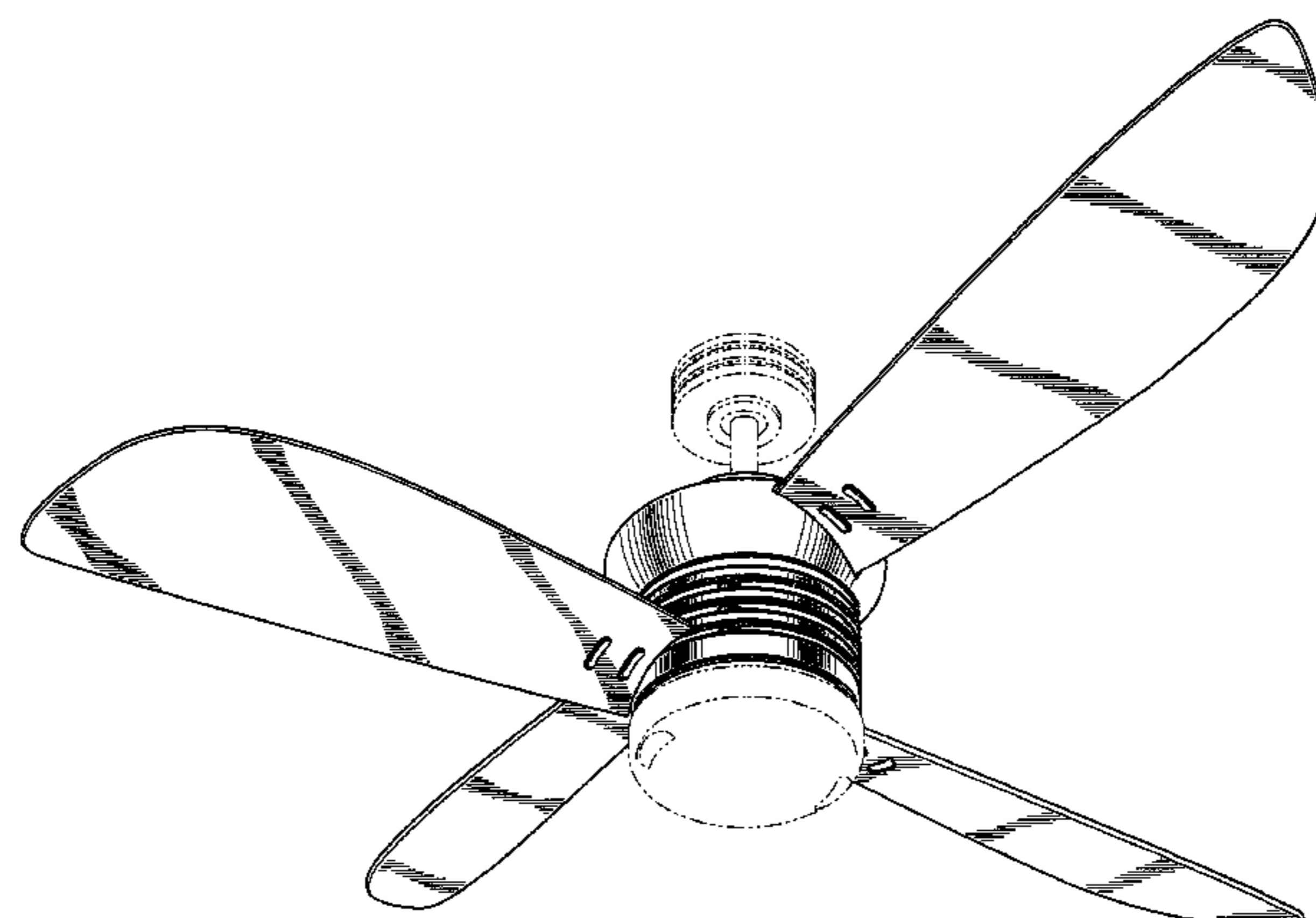
(57) **CLAIM**

The ornamental design for a ceiling fan, as shown and described.

DESCRIPTION

FIG. 1 is a perspective view from below of a ceiling fan in accordance with my design;
 FIG. 2 is a perspective view from below of the ceiling fan in accordance with my design;
 FIG. 3 is an enlarged perspective view from below of the ceiling fan in accordance with my design;
 FIG. 4 is a top plan view of the ceiling fan in accordance with my design;
 FIG. 5 is a bottom plan view of the ceiling fan in accordance with my design;
 FIG. 6 is a front elevation view of the ceiling fan in accordance with my design;
 FIG. 7 is a side elevation view of the ceiling fan in accordance with my design;
 FIG. 8 is a side elevation view of the ceiling fan in accordance with my design; and,
 FIG. 9 is a side elevation view of the ceiling fan in accordance with my design.
 FIGS. 6, 7, 8 and 9 are identical except for the positioning of the fan blades.
 The broken lines showing environmental structure are for illustrative purposes and form no part of the claimed design. In FIG. 3, the fan blades are shown broken away to indicate indeterminate length.

1 Claim, 8 Drawing Sheets



OTHER PUBLICATIONS

U.S. Appl. No. 29/204,854, filed May 5, 2004, Stanfield Young.

Hampton Bay Ceiling Fans; vol. 1; Spring/Summer 2004, p. 27, Mar. 2004, Home Dept., Inc., USA.

Craftmade 2003 New Products Jan. Update; p. 4, Jan. 2003, Craftmade, Inc. USA.

Home Lighting & Accessories; vol. 87, No. 3; p. 109 (The Oslo Collection), p. 110 (Kitty Hawk) and p. 121 (Voyager). Mar. 2004.

Expo Design Center Advertisement; Hampton Bay Gallery Cessna Ceiling Fan; p. 299, Apr. 2004, Home Dept Inc. USA.

* cited by examiner

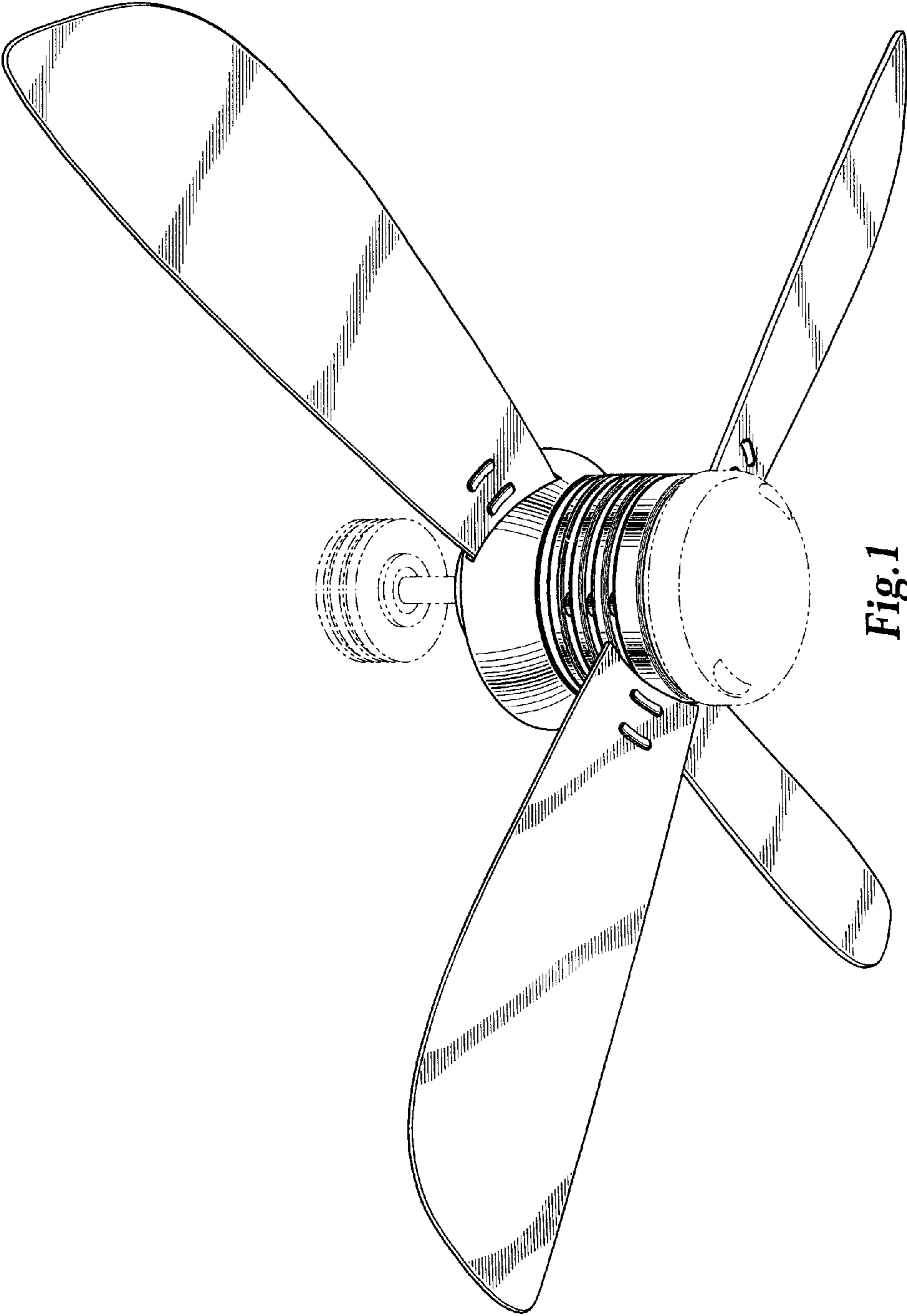


Fig. 1

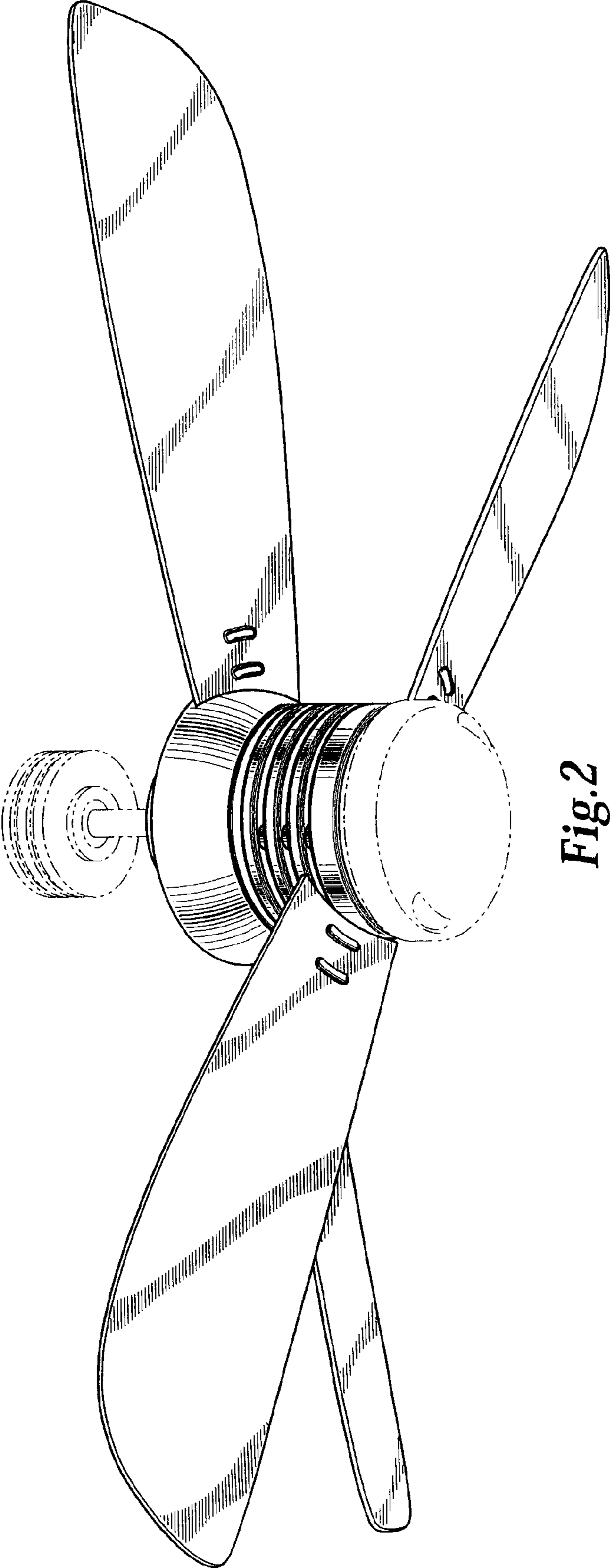


Fig. 2

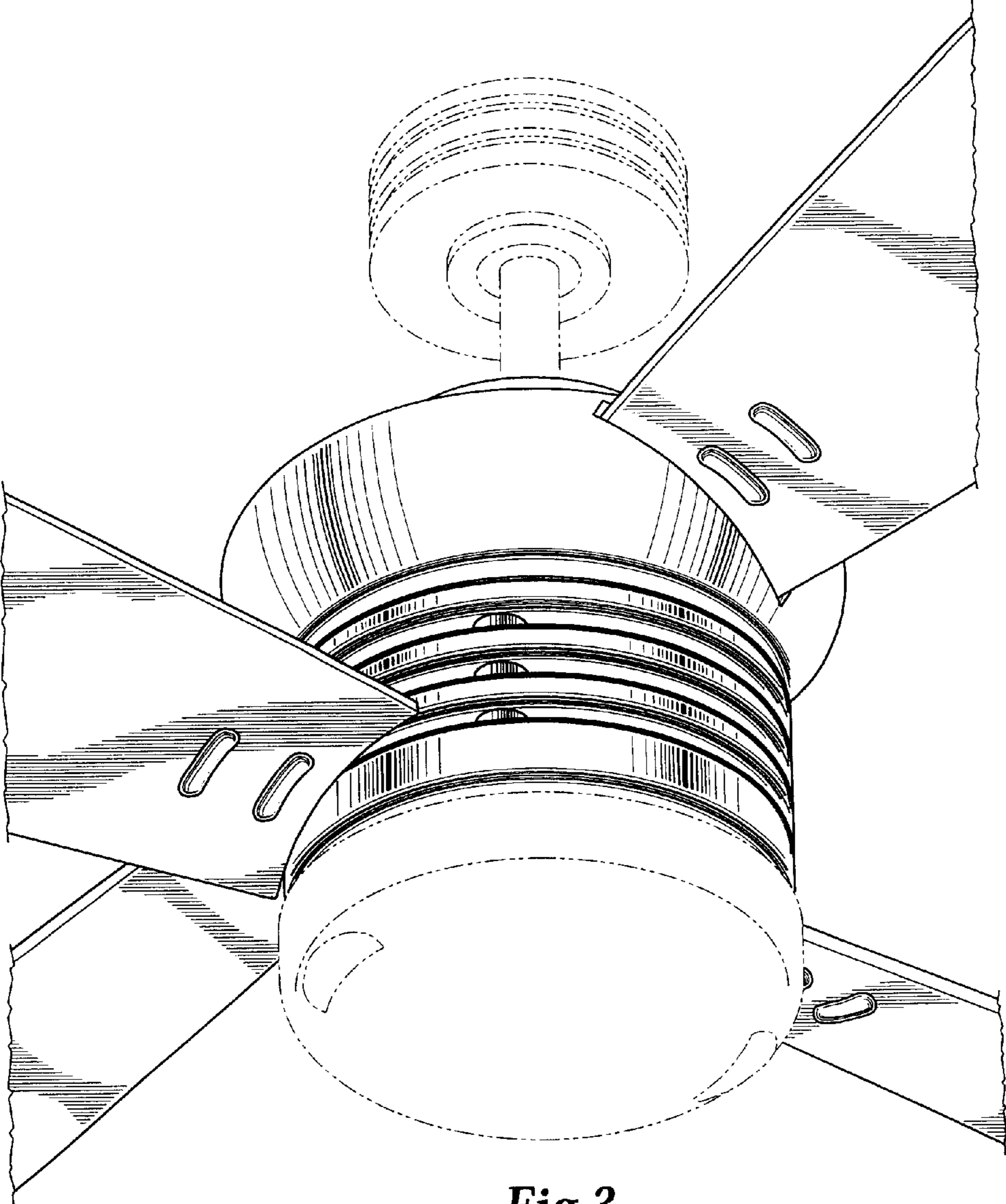


Fig.3

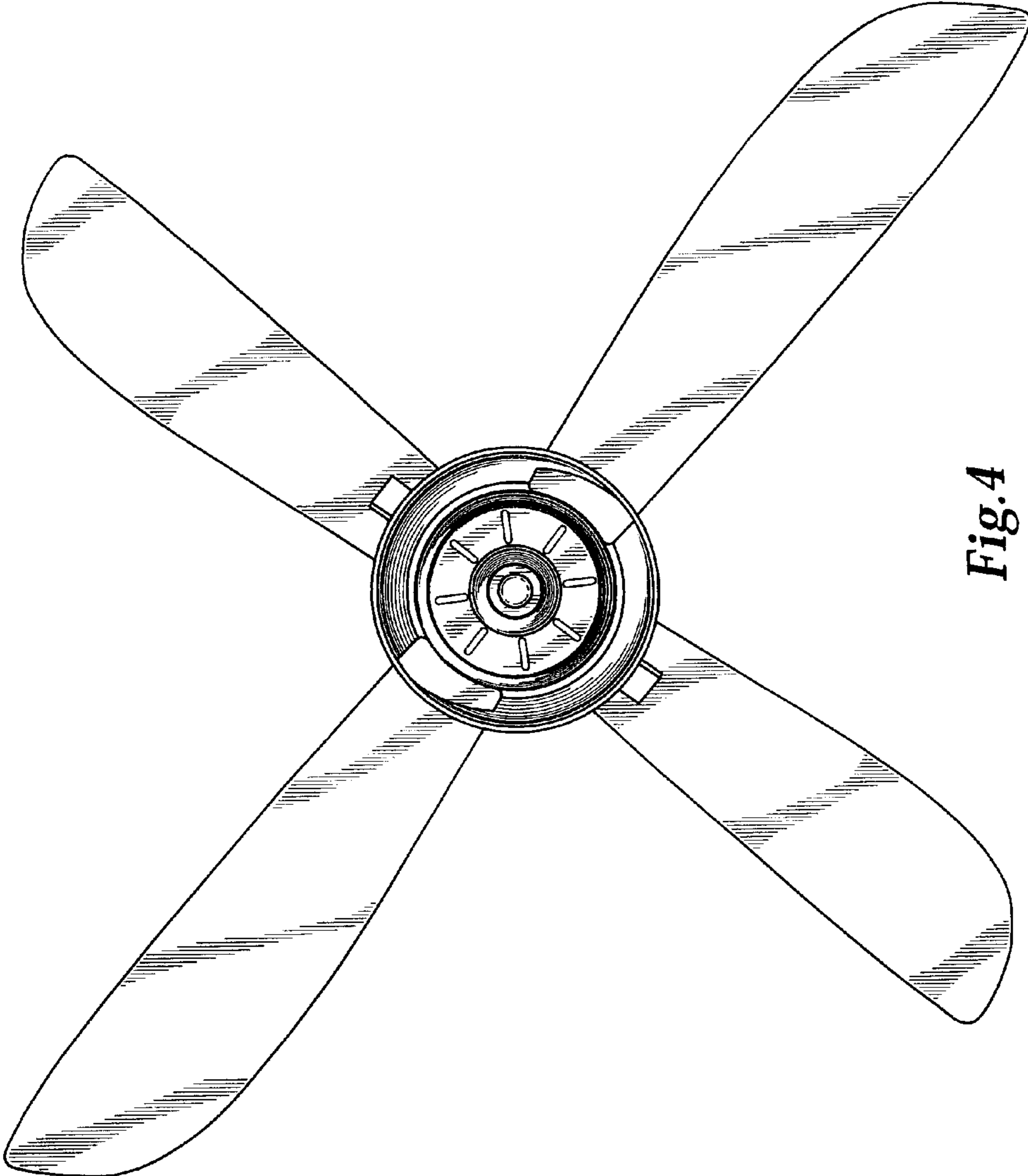


Fig. 4

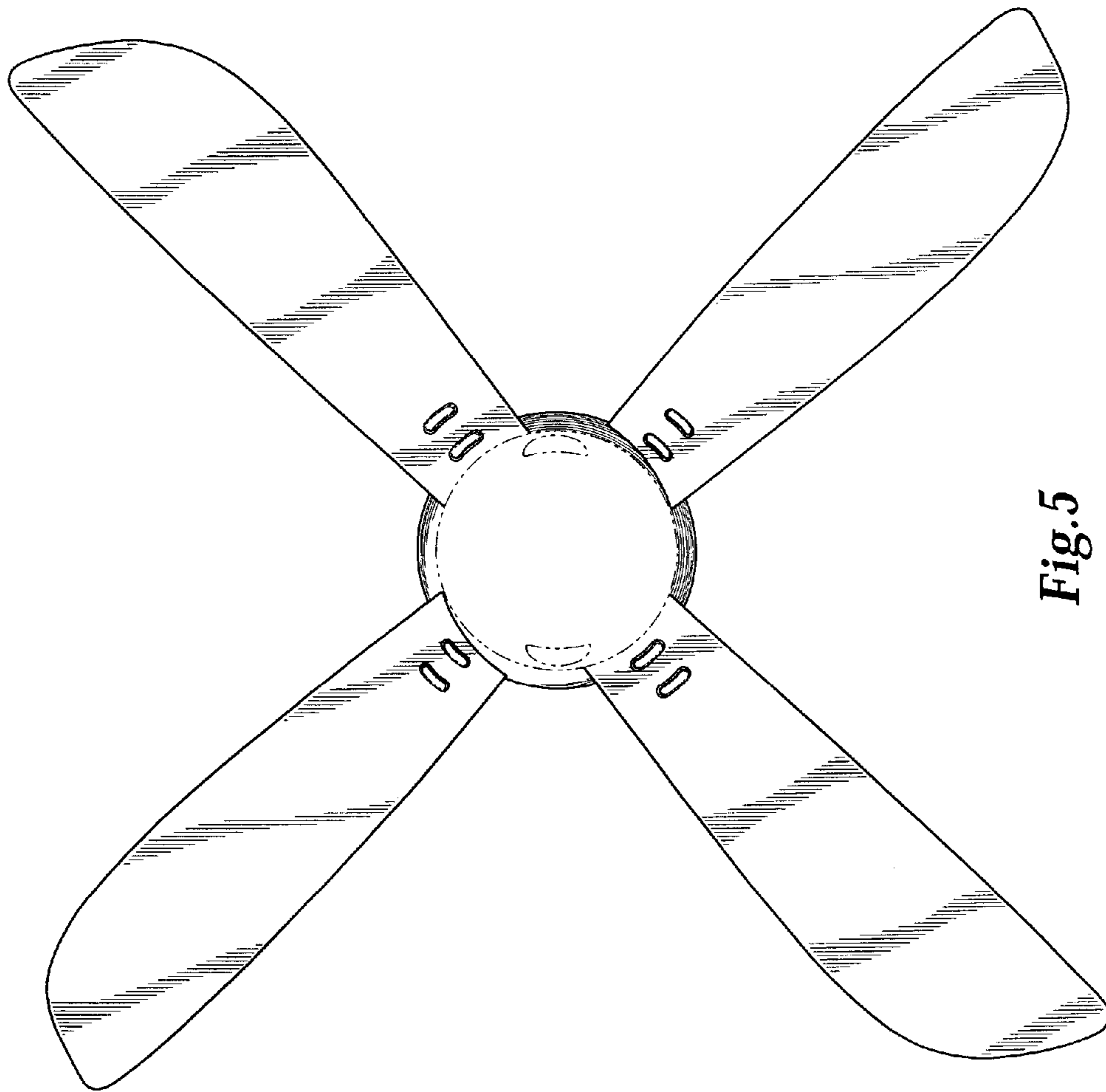


Fig. 5

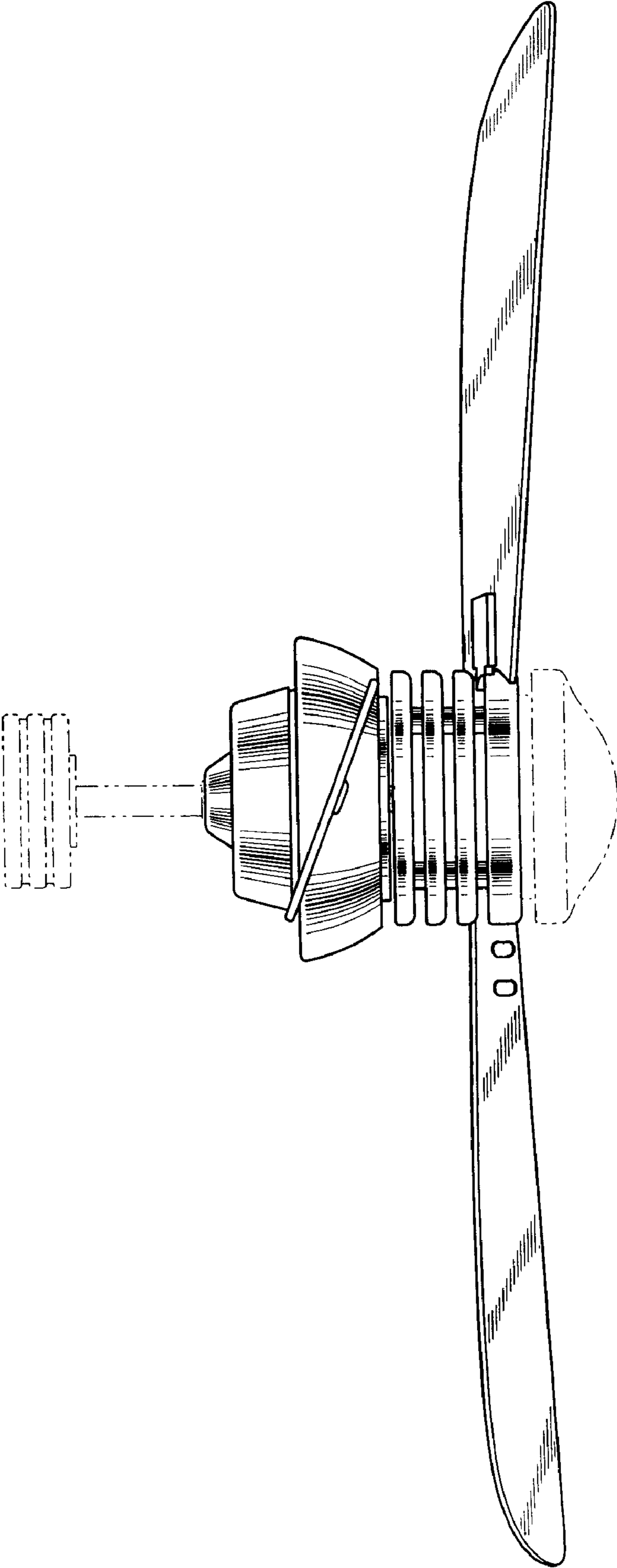


Fig. 6

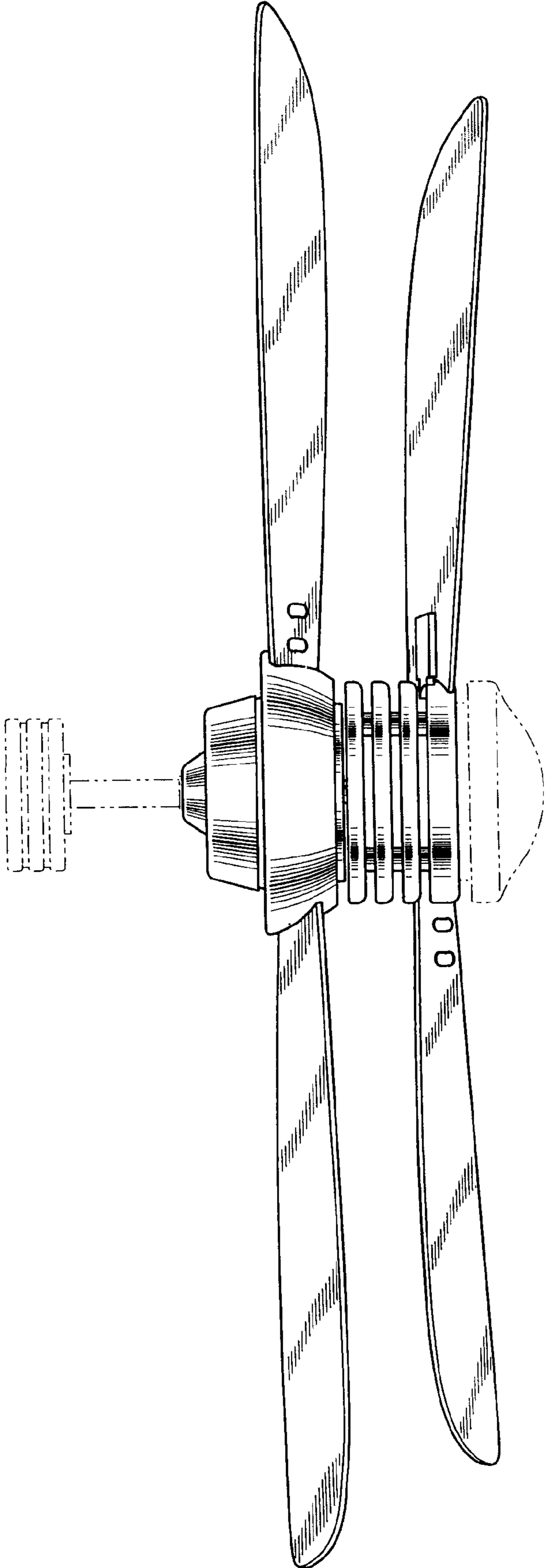


Fig. 7

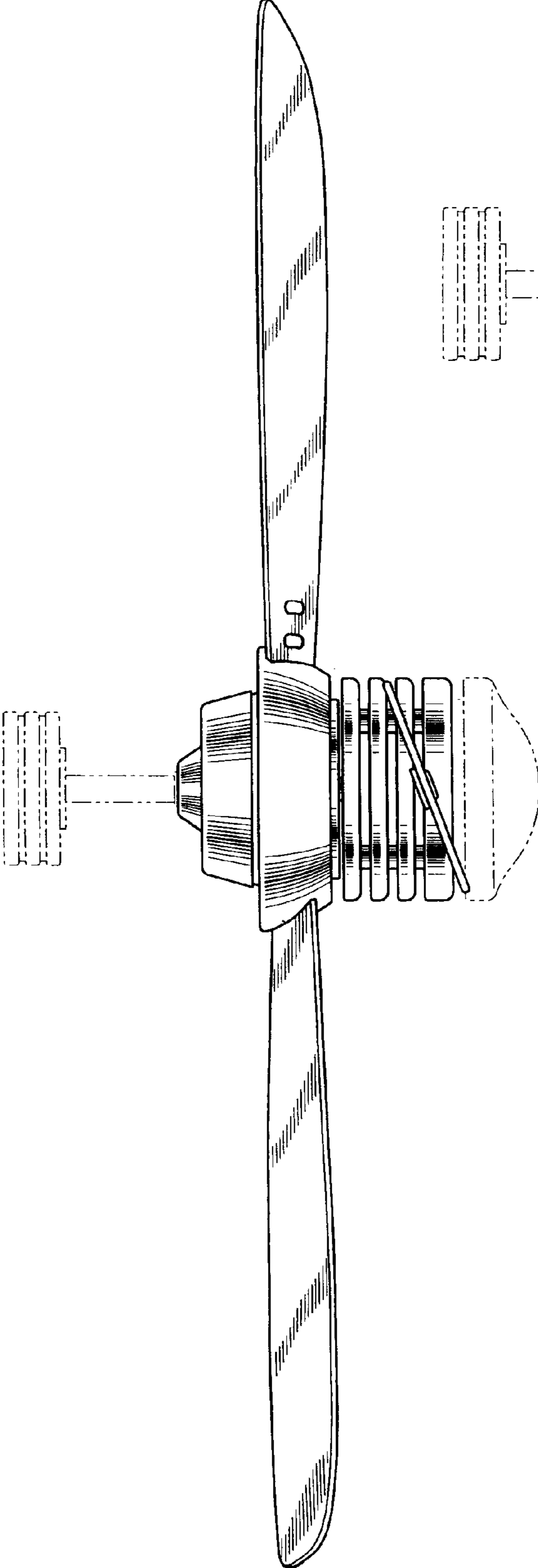


Fig. 8

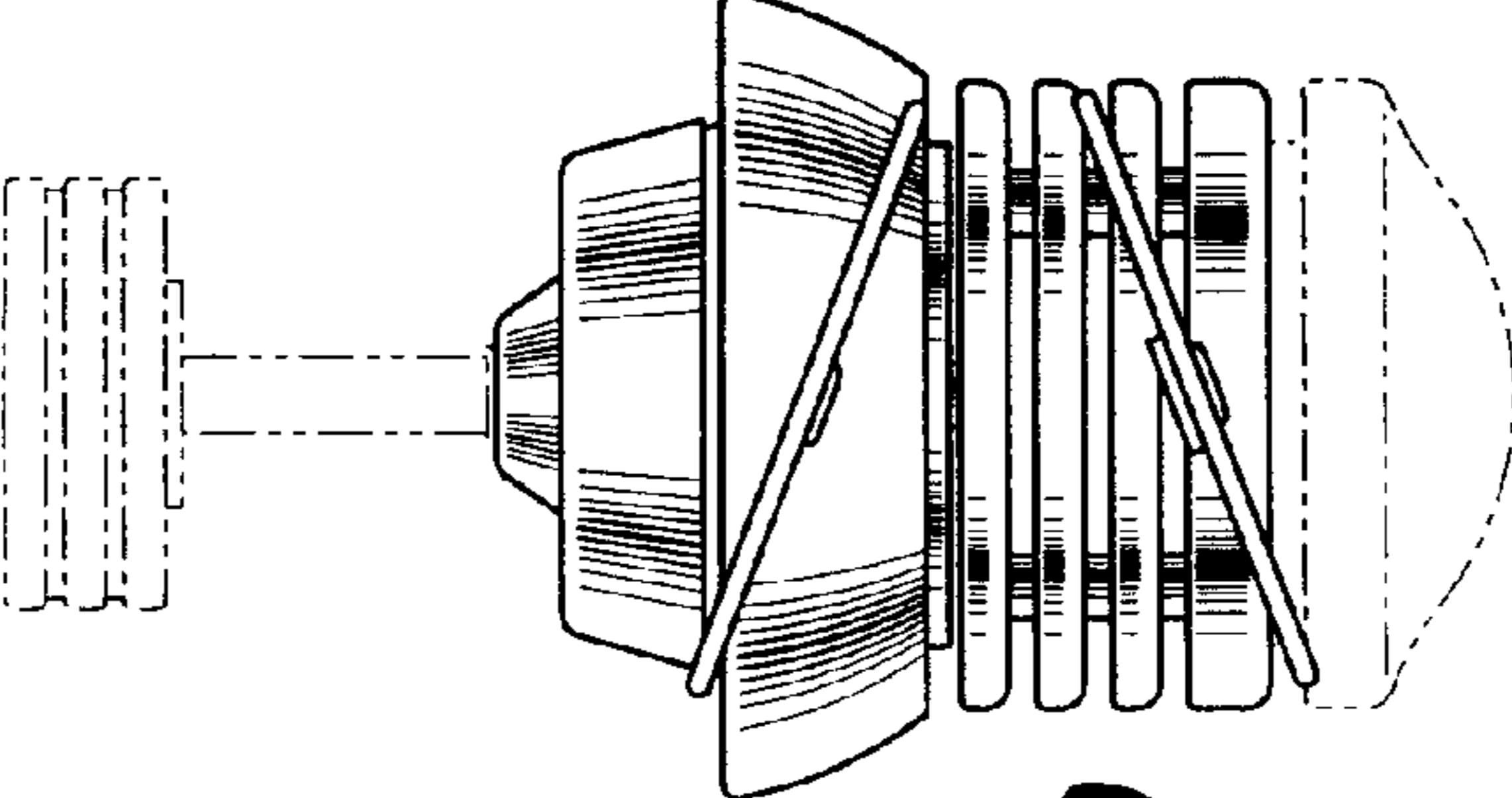


Fig. 9