



US00D510617S

(12) **United States Design Patent** (10) **Patent No.:** **US D510,617 S**
Andrews et al. (45) **Date of Patent:** **** Oct. 11, 2005**

(54) **NOVELTY FAN**

(75) Inventors: **Mark Andrews**, Cary, NC (US); **Mary Andrews**, Cary, NC (US)

(73) Assignee: **UpShift Design, LLC**, Cary, NC (US)

(**) Term: **14 Years**

(21) Appl. No.: **29/214,089**

(22) Filed: **Sep. 28, 2004**

(51) **LOC (8) Cl.** **23-04**

(52) **U.S. Cl.** **D23/328**

(58) **Field of Search** D23/328, 378,
D23/382, 370; D11/157; D20/29; D18/24,
29; 416/246, 247 R

(56) **References Cited**

U.S. PATENT DOCUMENTS

D248,936 S	*	8/1978	Lohan	D11/157
D304,458 S	*	11/1989	Mowry, Jr.	D18/24
D315,018 S	*	2/1991	Wang	D23/382
D351,901 S	*	10/1994	Boruch et al.	D23/328

* cited by examiner

Primary Examiner—Lisa Lichtenstein

(74) *Attorney, Agent, or Firm*—Robert L. Epstein, Esq.;
Epstein Drangel Bazerman & James, LLP

(57) **CLAIM**

The ornamental design for a novelty fan, substantially as shown and described.

DESCRIPTION

FIG. 1 is an isometric view showing the front, top, and one side of our invention.

FIG. 2 is a reduced elevation view of the front of our invention.

FIG. 3 is a reduced elevation view of the first side of our invention.

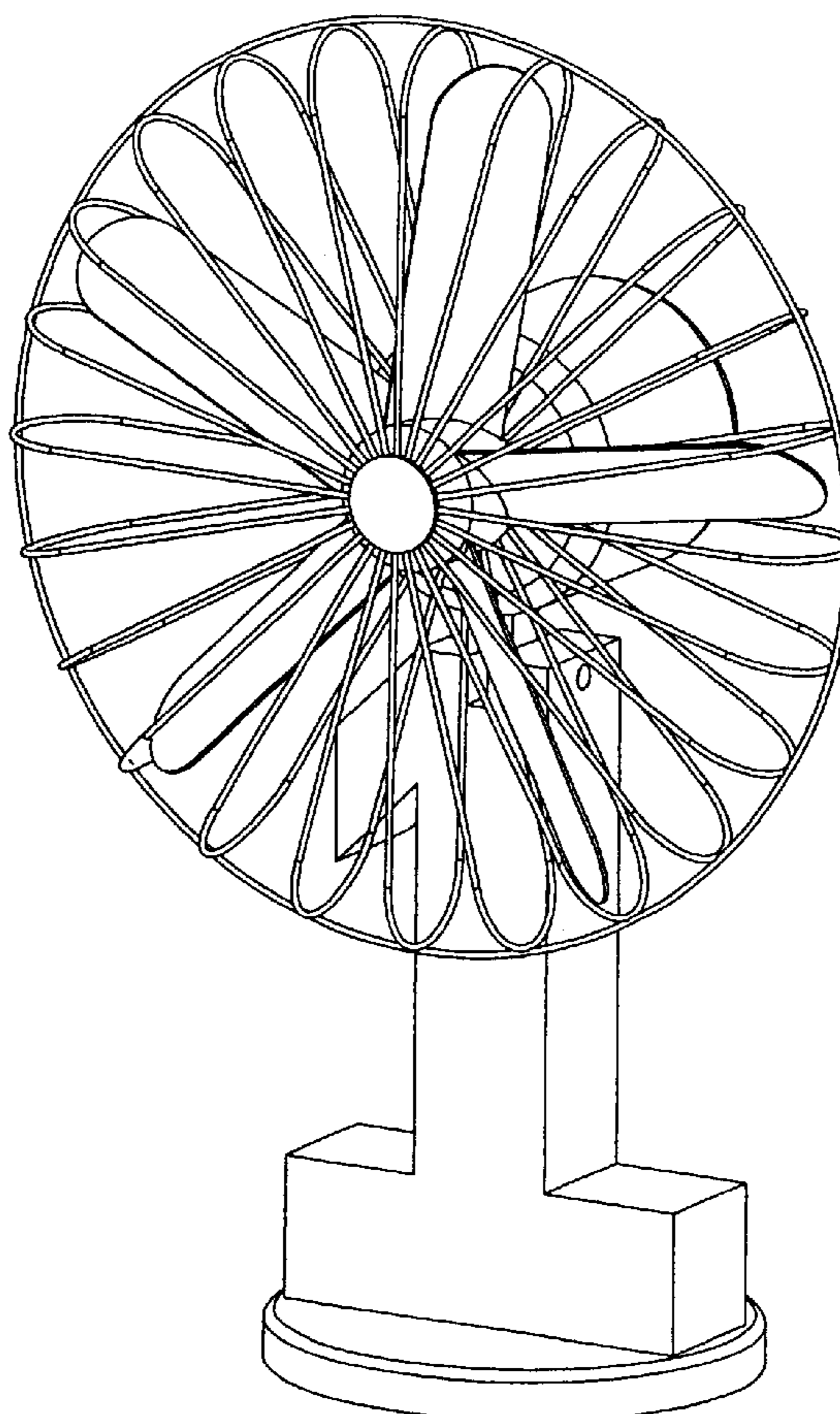
FIG. 4 is a reduced plan view of the top of our invention.

FIG. 5 is a further reduced elevation view of the rear of our invention.

FIG. 6 is a further reduced elevation view of the second side of our invention; and,

FIG. 7 is a further reduced plan view of the bottom of our invention.

1 Claim, 3 Drawing Sheets



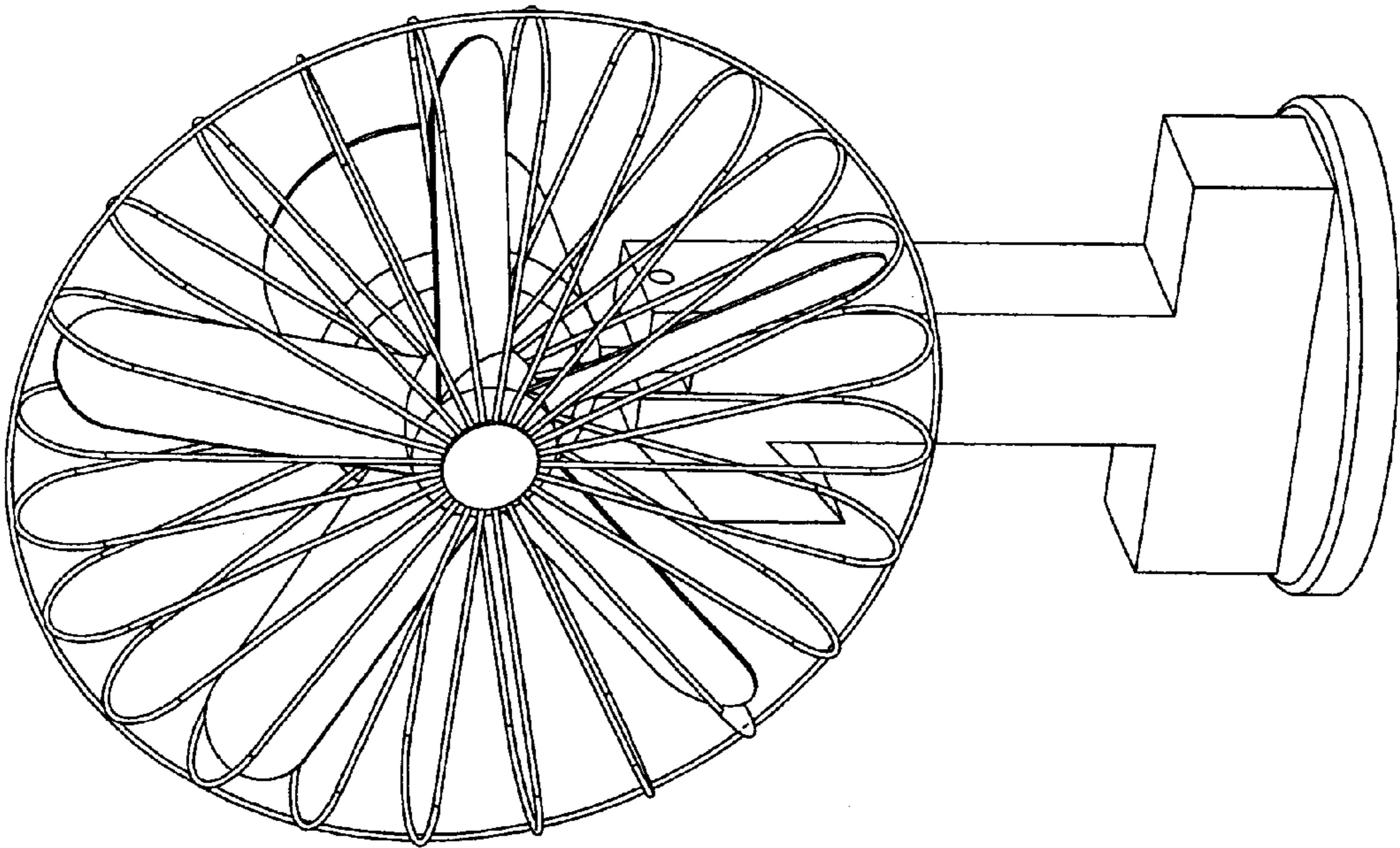


Figure 1

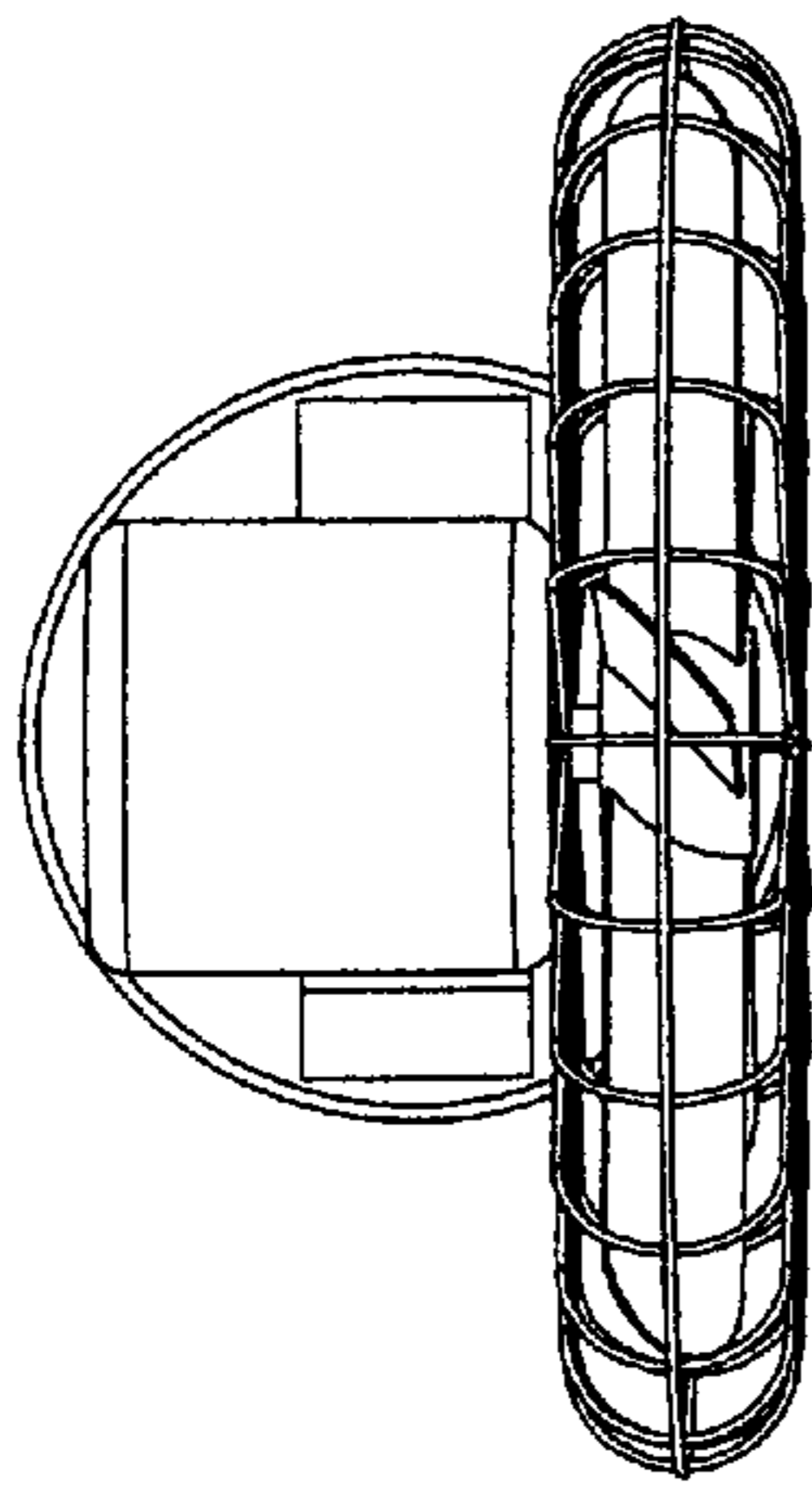


Figure 4

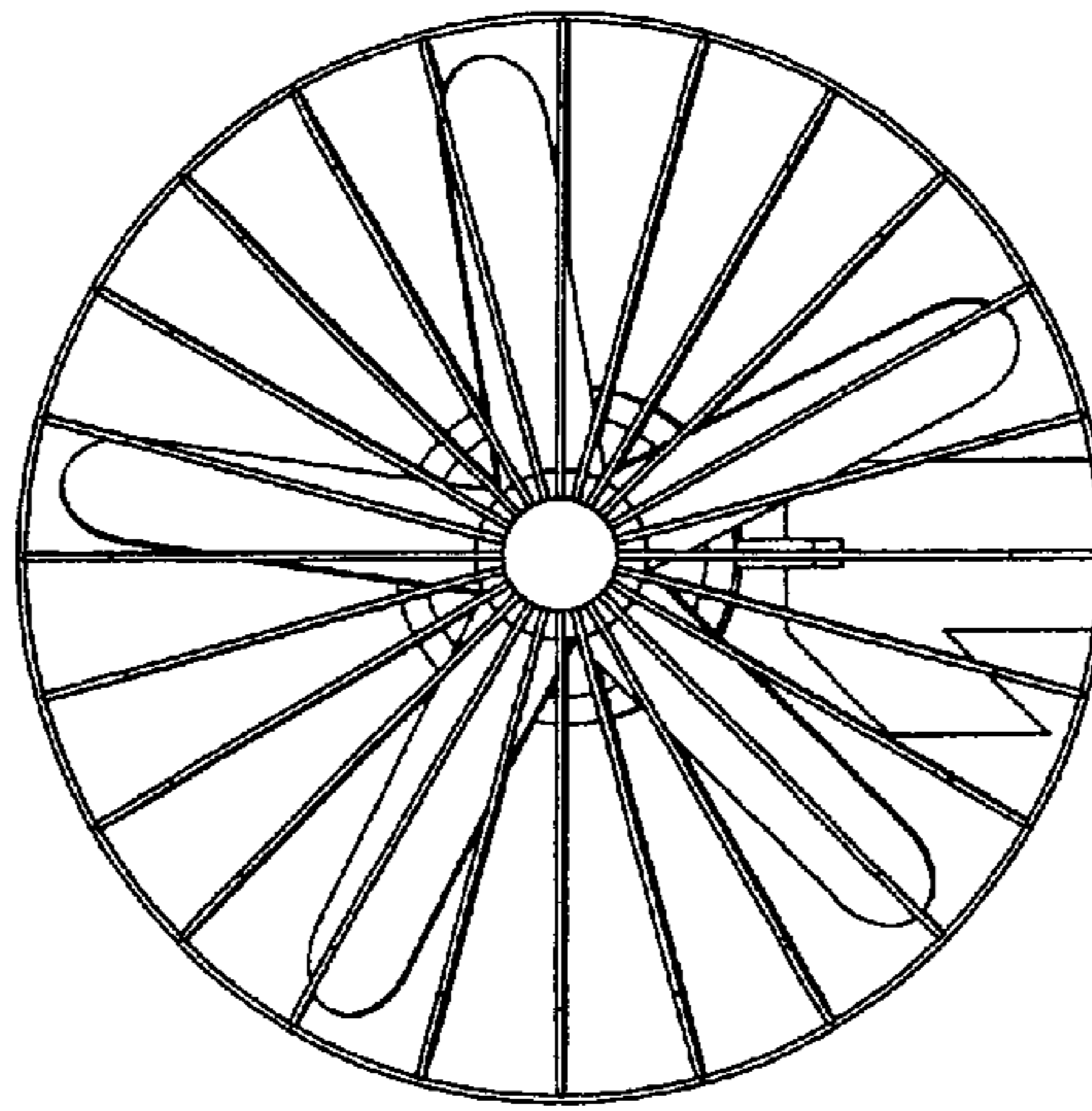


Figure 2

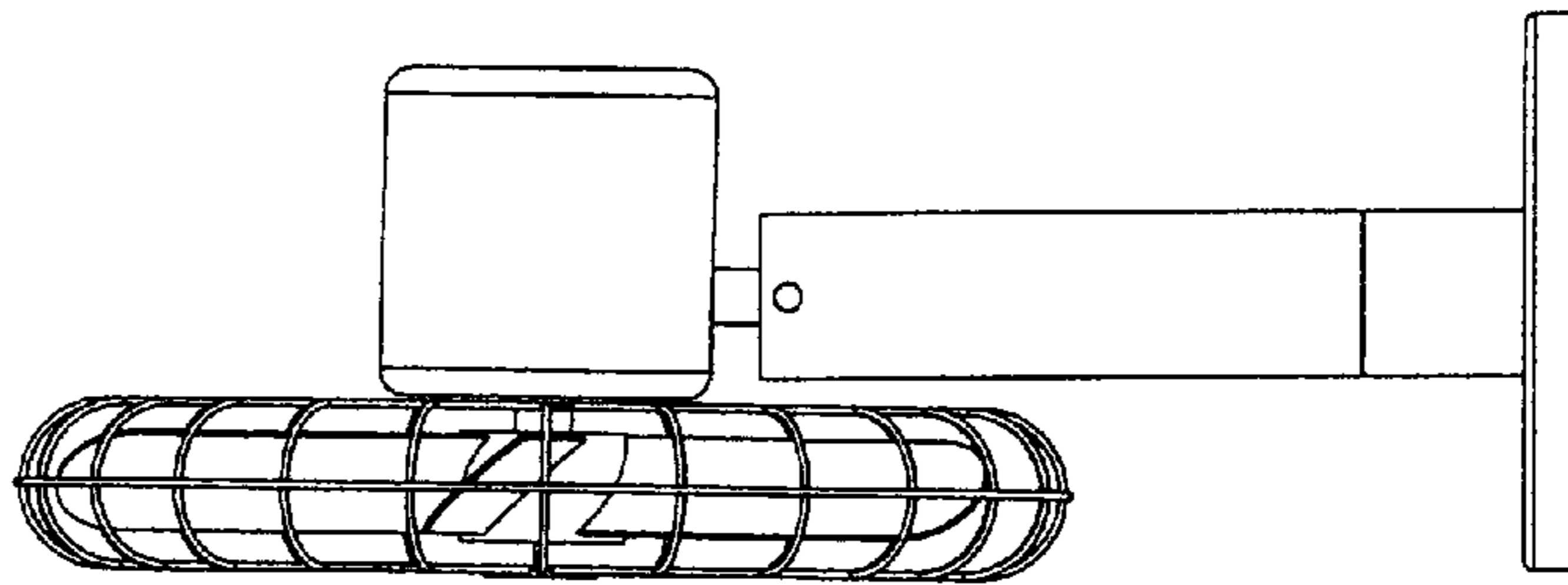


Figure 3

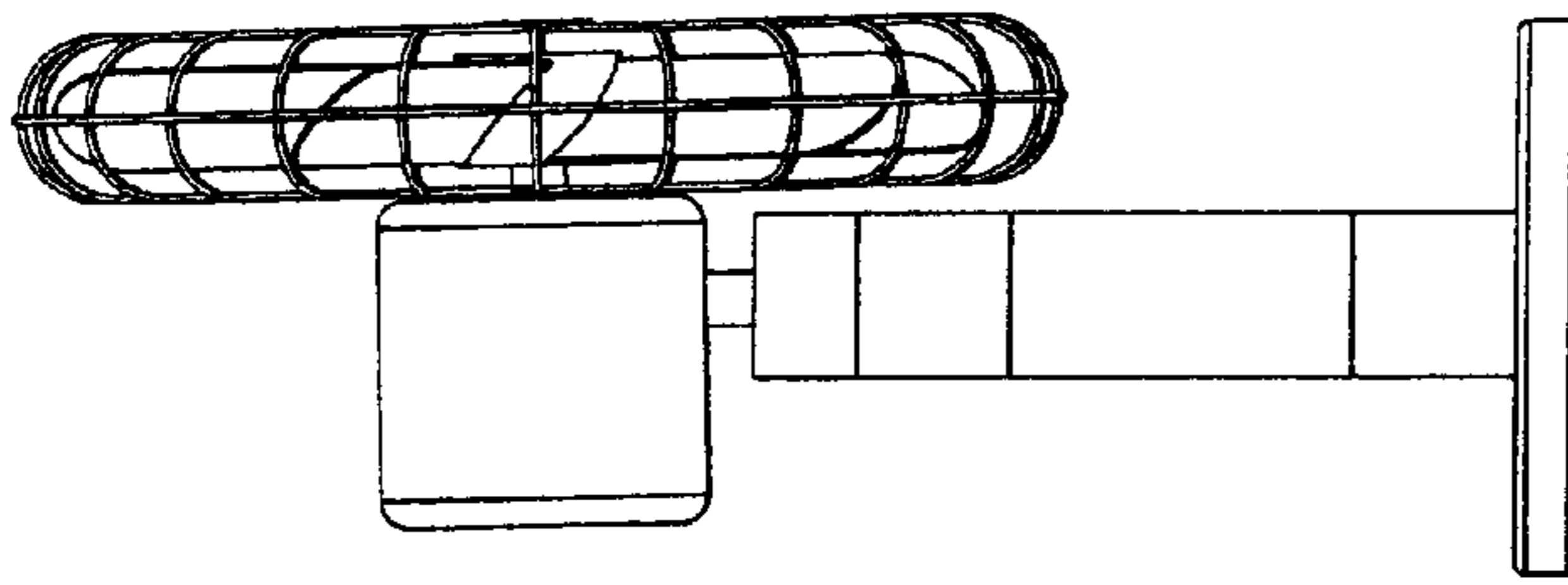


Figure 6

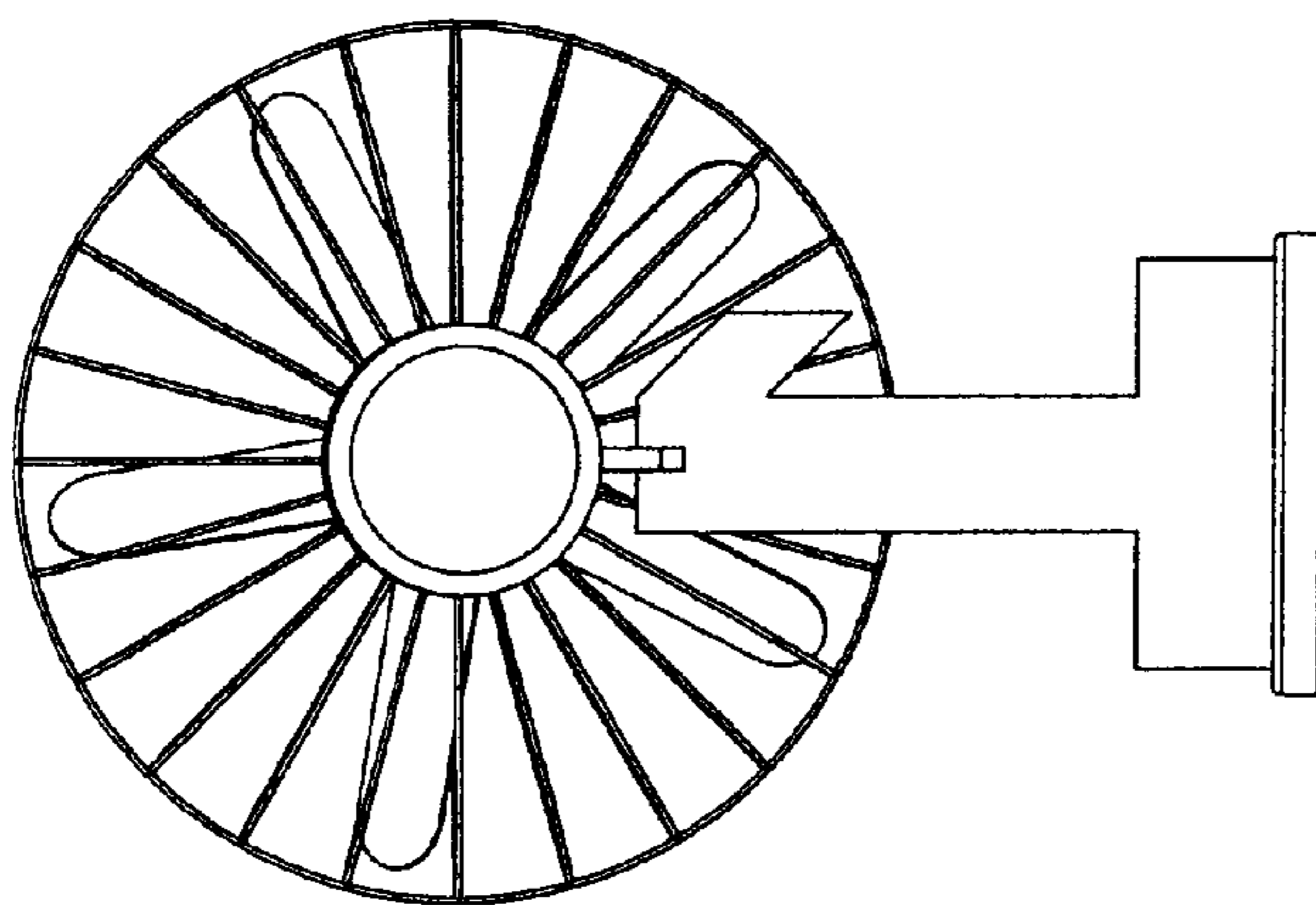


Figure 5

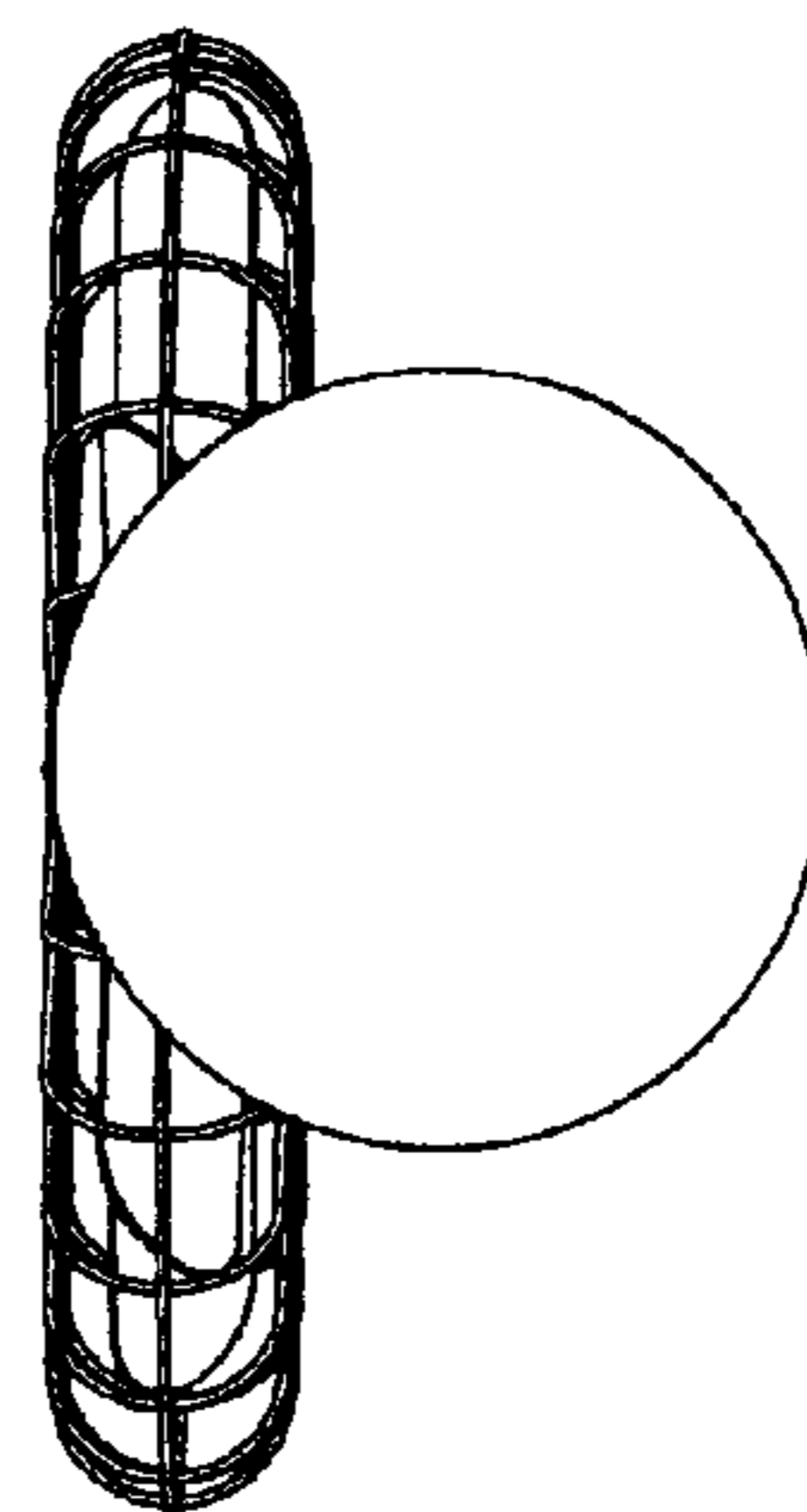


Figure 7