



US00D510614S

(12) **United States Design Patent**
Zielke et al.

(10) **Patent No.:** **US D510,614 S**
(45) **Date of Patent:** **** Oct. 11, 2005**

(54) **COMPONENT OF A DEVICE FOR TRANSPORT OF LIQUID**

(75) Inventors: **Peter Zielke**, Adorf (DE); **Jürgen Sporer**, Schönwald (DE)

(73) Assignee: **Rehau AG & Co.**, Rehau (DE)

(**) Term: **14 Years**

(21) Appl. No.: **29/199,641**

(22) Filed: **Feb. 19, 2004**

(30) **Foreign Application Priority Data**

Aug. 19, 2003 (DE) 4 03 05 412

(51) **LOC (8) Cl.** **23-01**

(52) **U.S. Cl.** **D23/262; D23/259**

(58) **Field of Search** **D23/259, 262, D23/266; 285/302, 308**

(56) **References Cited**

U.S. PATENT DOCUMENTS

D208,522 S * 9/1967 Graham D23/262
6,382,343 B1 * 5/2002 Engler 180/417
6,431,612 B1 * 8/2002 Walker et al. 285/305

6,540,263 B1 * 4/2003 Sausner 285/305
6,612,622 B2 * 9/2003 Andre et al. 285/305
6,637,779 B2 * 10/2003 Andre 285/305
6,866,303 B2 * 3/2005 Szabo et al. 285/305

* cited by examiner

Primary Examiner—Robin V. Taylor

(74) *Attorney, Agent, or Firm*—Venable LLP; Robert Kinberg

(57) **CLAIM**

The ornamental design for a component of a device for transport of liquid, as shown and described.

DESCRIPTION

FIG. 1 is a perspective view from the front-top-right side of the component of a device for transport of liquid showing our new design;

FIG. 2 is a front view of the design shown in FIG. 1;

FIG. 3 is a rear view of the design shown in FIG. 1;

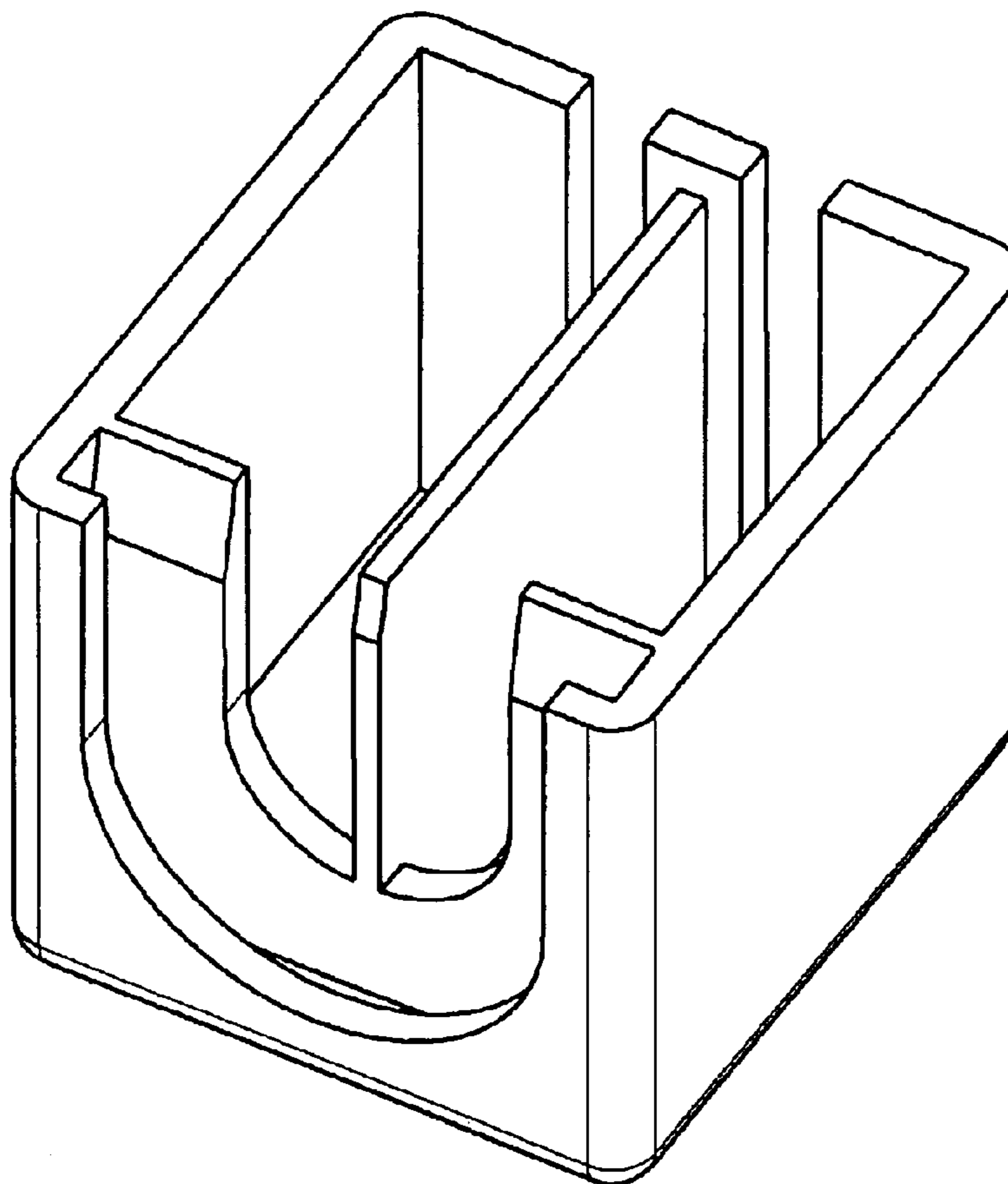
FIG. 4 is a left side view of the design shown in FIG. 1;

FIG. 5 is a right side view of the design shown in FIG. 1;

FIG. 6 is a top view of the design shown in FIG. 1; and,

FIG. 7 is a bottom view of the design shown in FIG. 1.

1 Claim, 7 Drawing Sheets



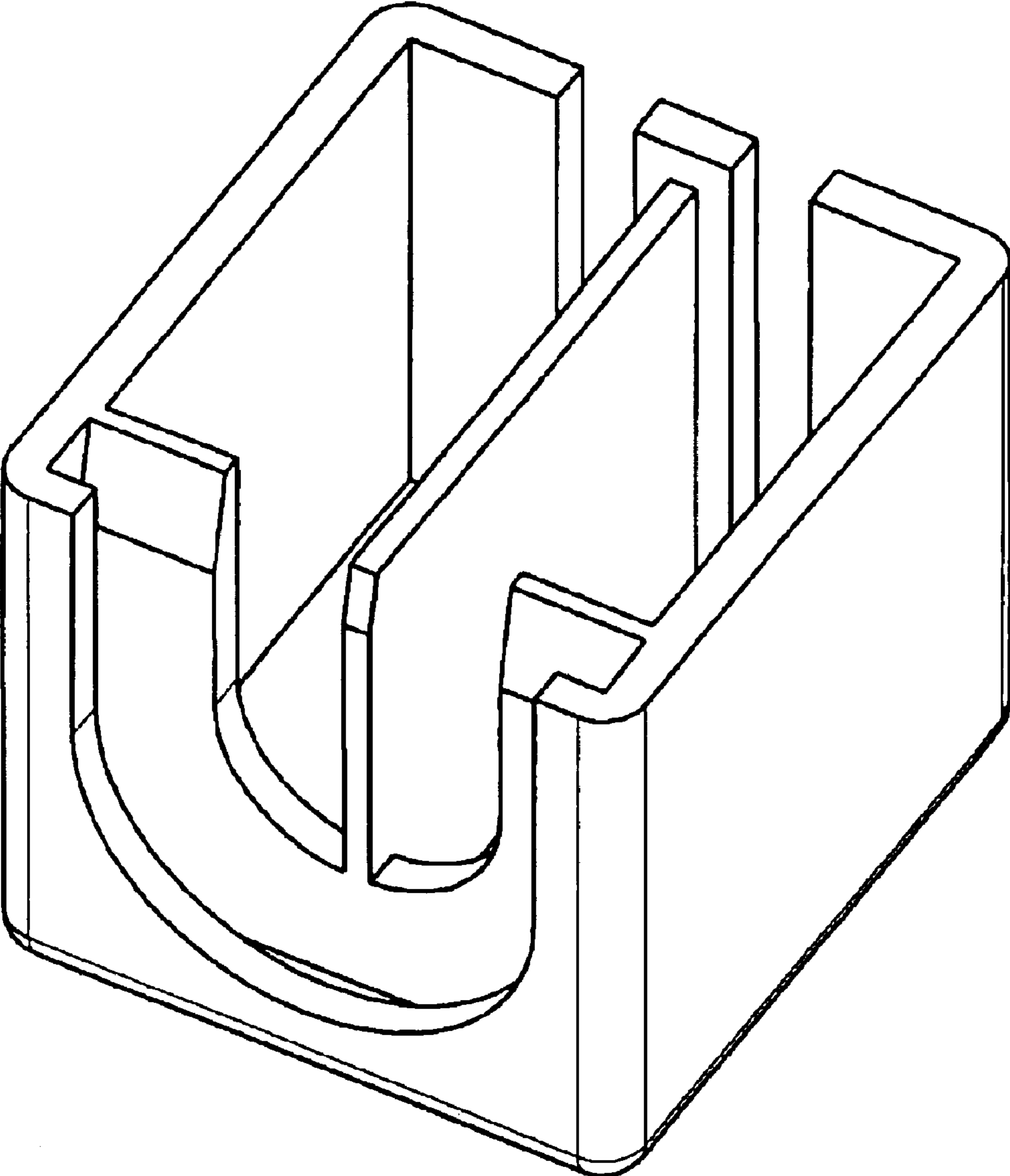


FIG. 1

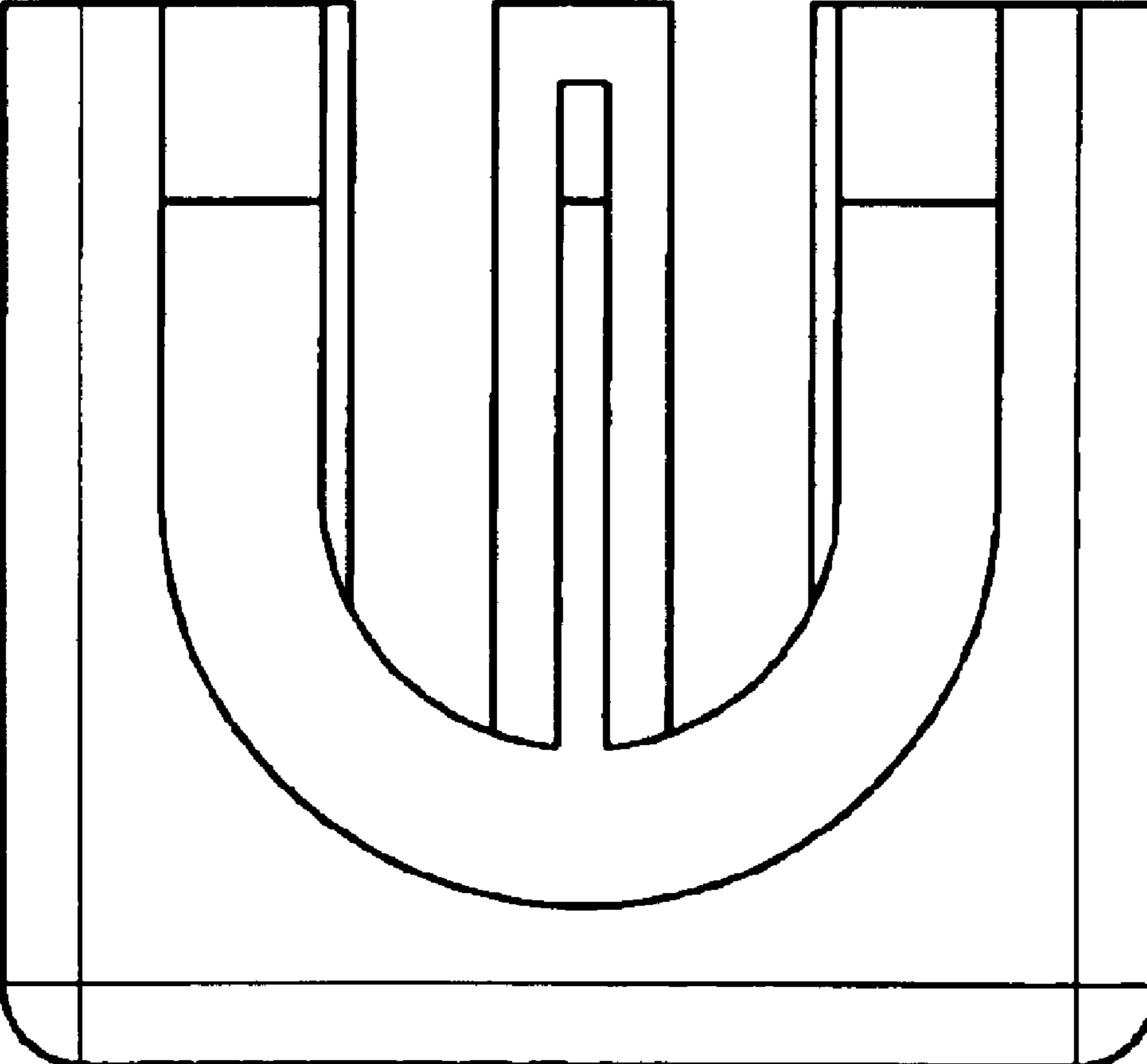


FIG. 2

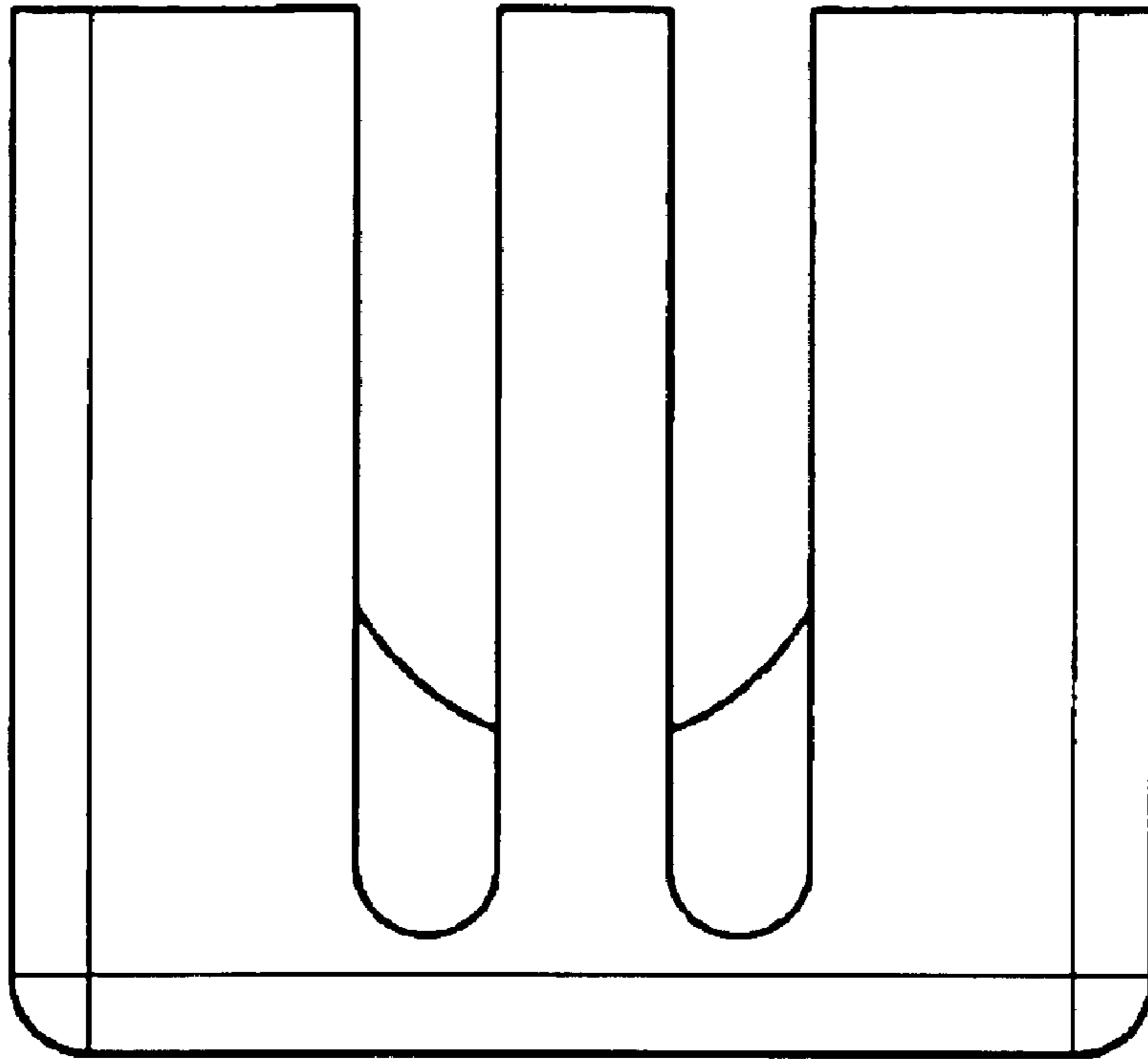


FIG. 3

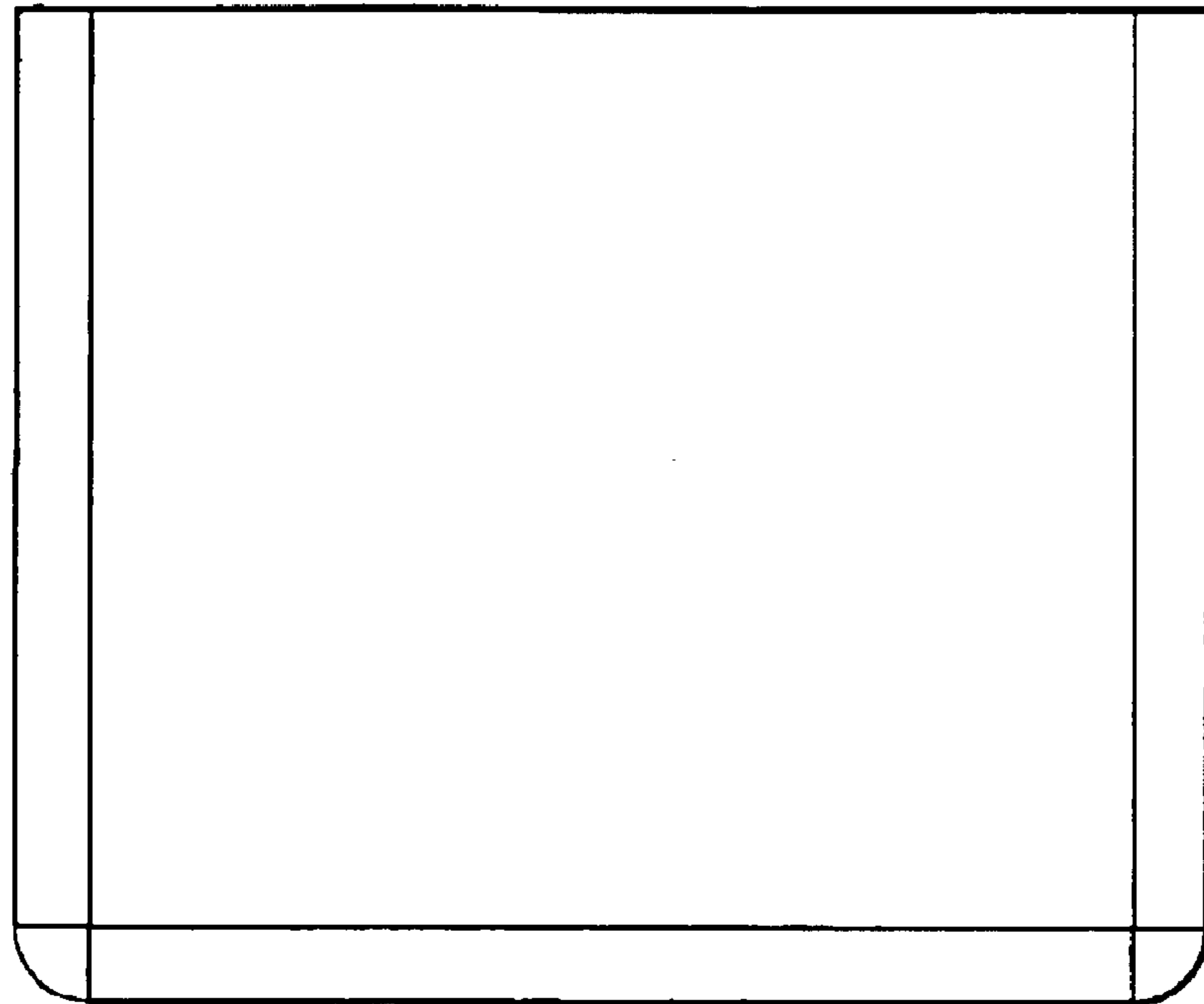


FIG. 4

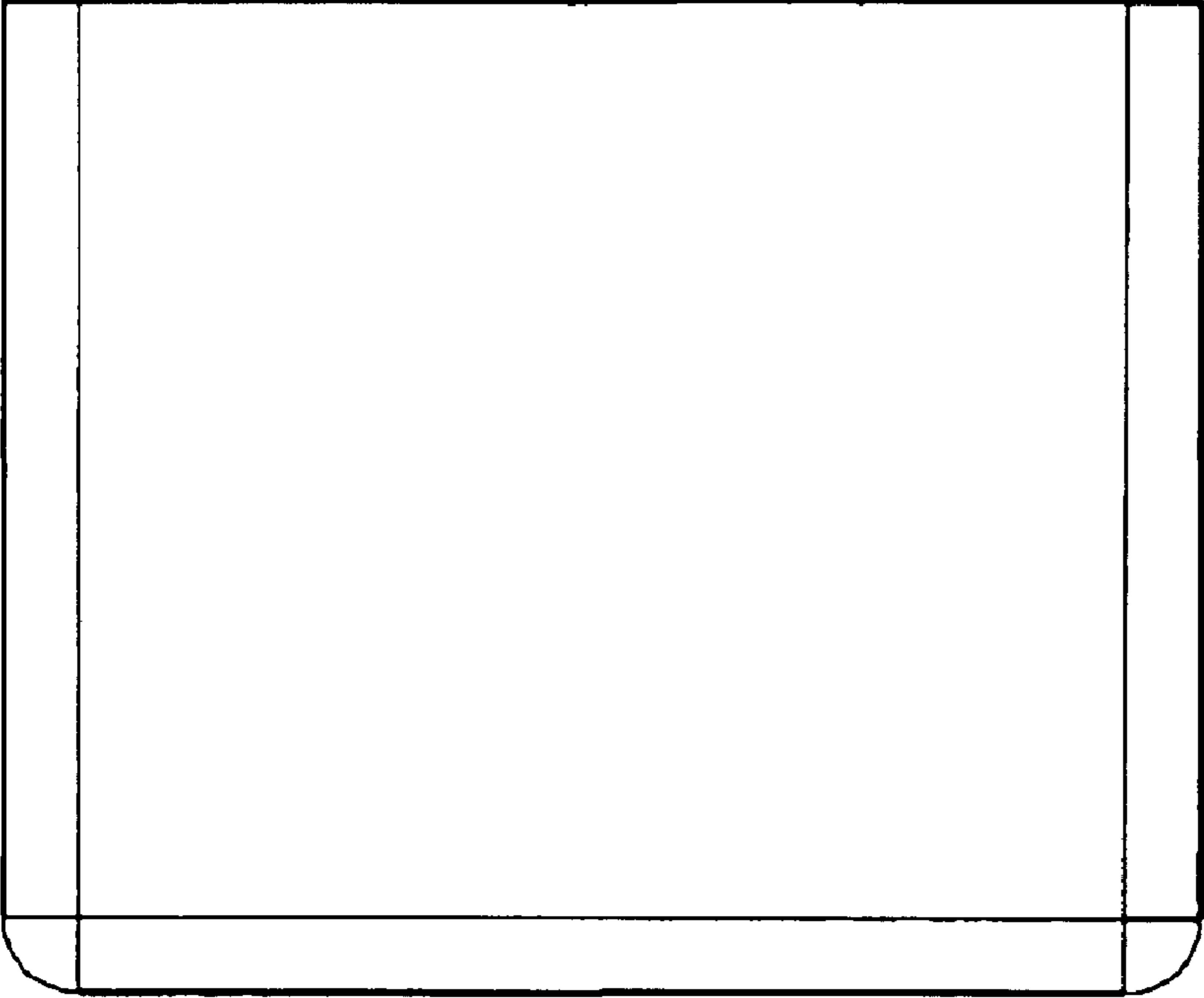


FIG. 5

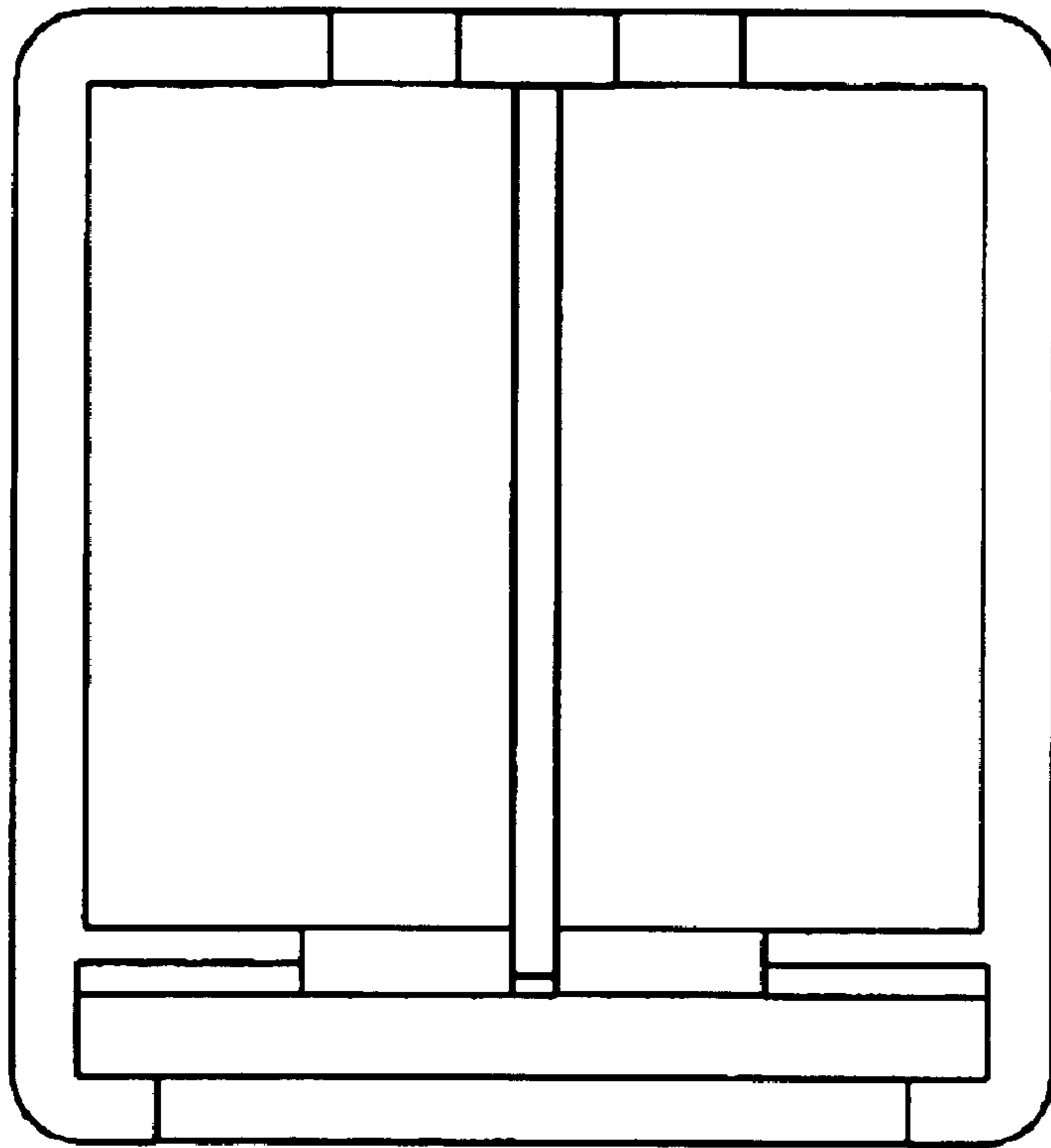


FIG. 6

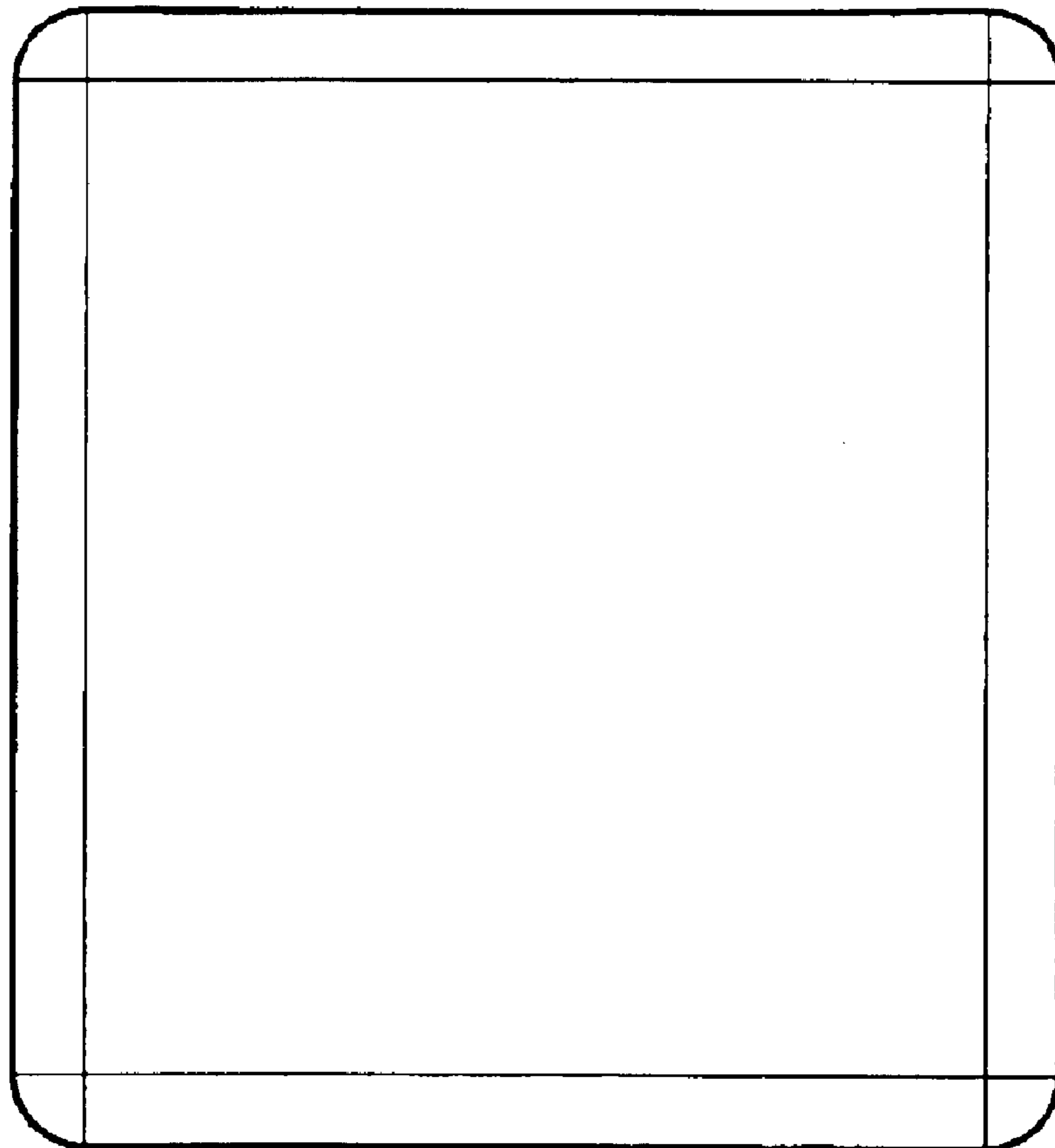


FIG. 7