



US00D510611S

(12) **United States Design Patent**
Jorgensen et al.

(10) **Patent No.:** **US D510,611 S**
(45) **Date of Patent:** **** Oct. 11, 2005**

(54) **FAUCET ASSEMBLY**

(75) Inventors: **Torben S. Jorgensen**, Kobenhavn K (DK); **Mikal Harrsen**, Kobenhavn V (DK)

(73) Assignee: **Damixa A/S** (DK)

(**) Term: **14 Years**

(21) Appl. No.: **29/190,222**

(22) Filed: **Sep. 11, 2003**

(30) **Foreign Application Priority Data**

Mar. 12, 2003 (DK) DA 2003 00189

(51) **LOC (8) Cl.** **23-01**

(52) **U.S. Cl.** **D23/238**

(58) **Field of Search** D23/238-257;
4/675-687; 137/807, 615

(56) **References Cited**

U.S. PATENT DOCUMENTS

D279,923 S * 7/1985 Niemann et al. D23/255

D360,016 S * 7/1995 Hsieh D23/241
D461,530 S * 8/2002 Moll D23/242
D492,392 S * 6/2004 Pohl et al. D23/242

* cited by examiner

Primary Examiner—Louis S. Zarfes

Assistant Examiner—Gregory Andoll

(74) *Attorney, Agent, or Firm*—Kwadjo Adusei-Poku; Lloyd D. Doigan

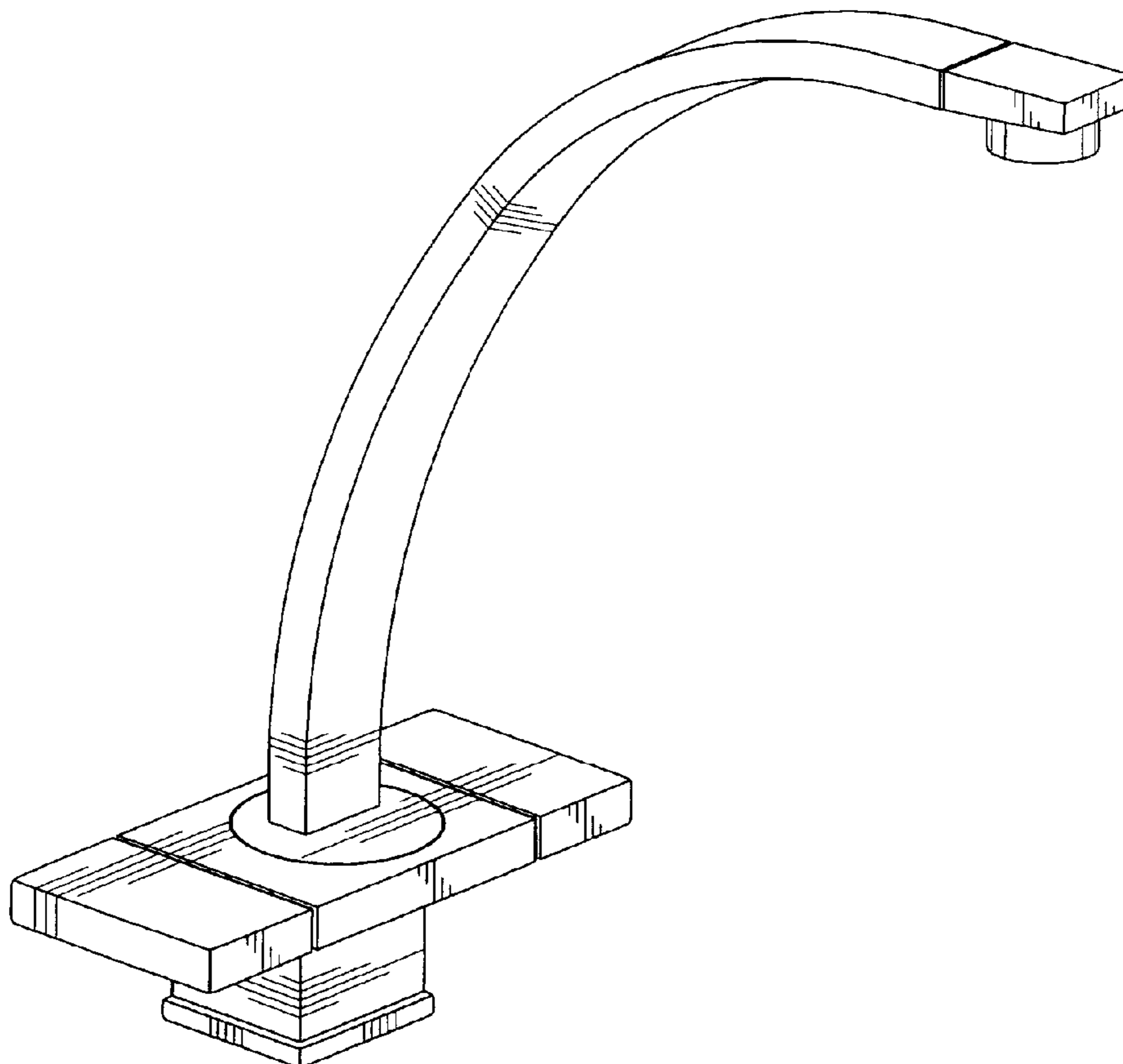
(57) **CLAIM**

The ornamental design for a faucet assembly, as shown and described.

DESCRIPTION

FIG. 1 is a front perspective view of a faucet assembly showing our new design;
FIG. 2 is a front elevational view thereof;
FIG. 3 is right side elevational view thereof, the left side elevational view being a mirror image thereof;
FIG. 4 is a rear elevational view thereof;
FIG. 5 is a top plan view thereof; and,
FIG. 6 is a bottom plan view thereof.

1 Claim, 6 Drawing Sheets



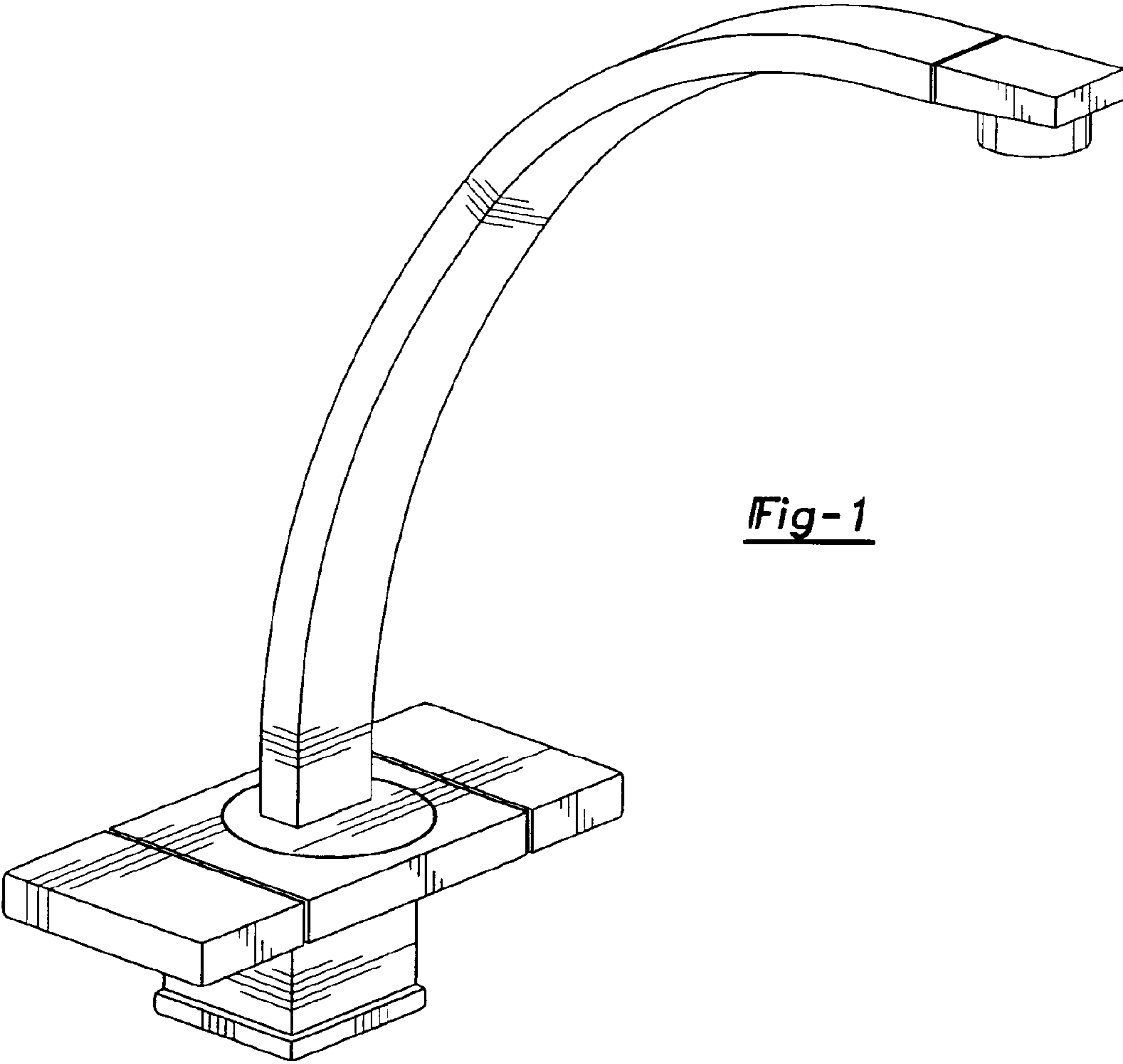


Fig-1

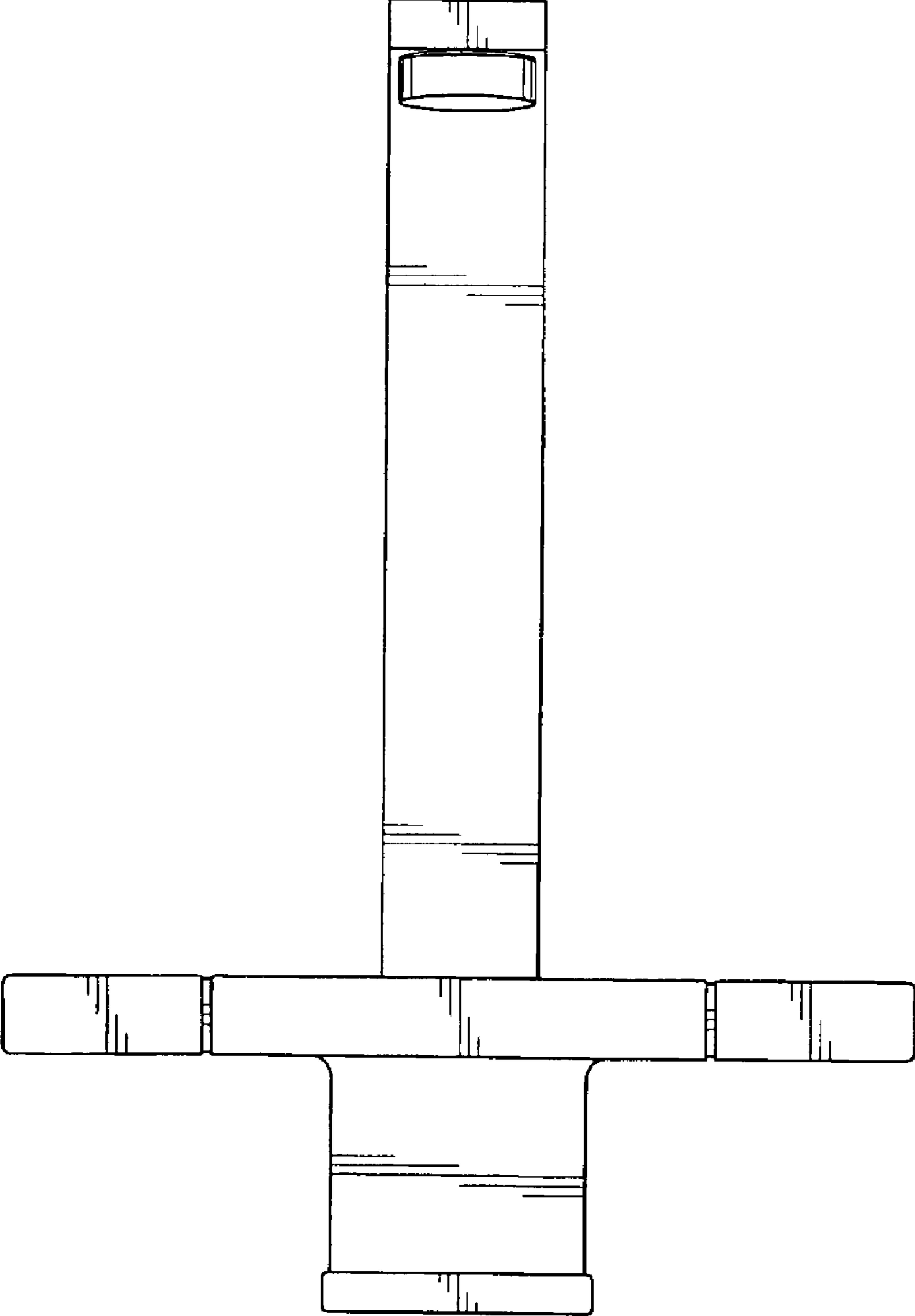


Fig-2

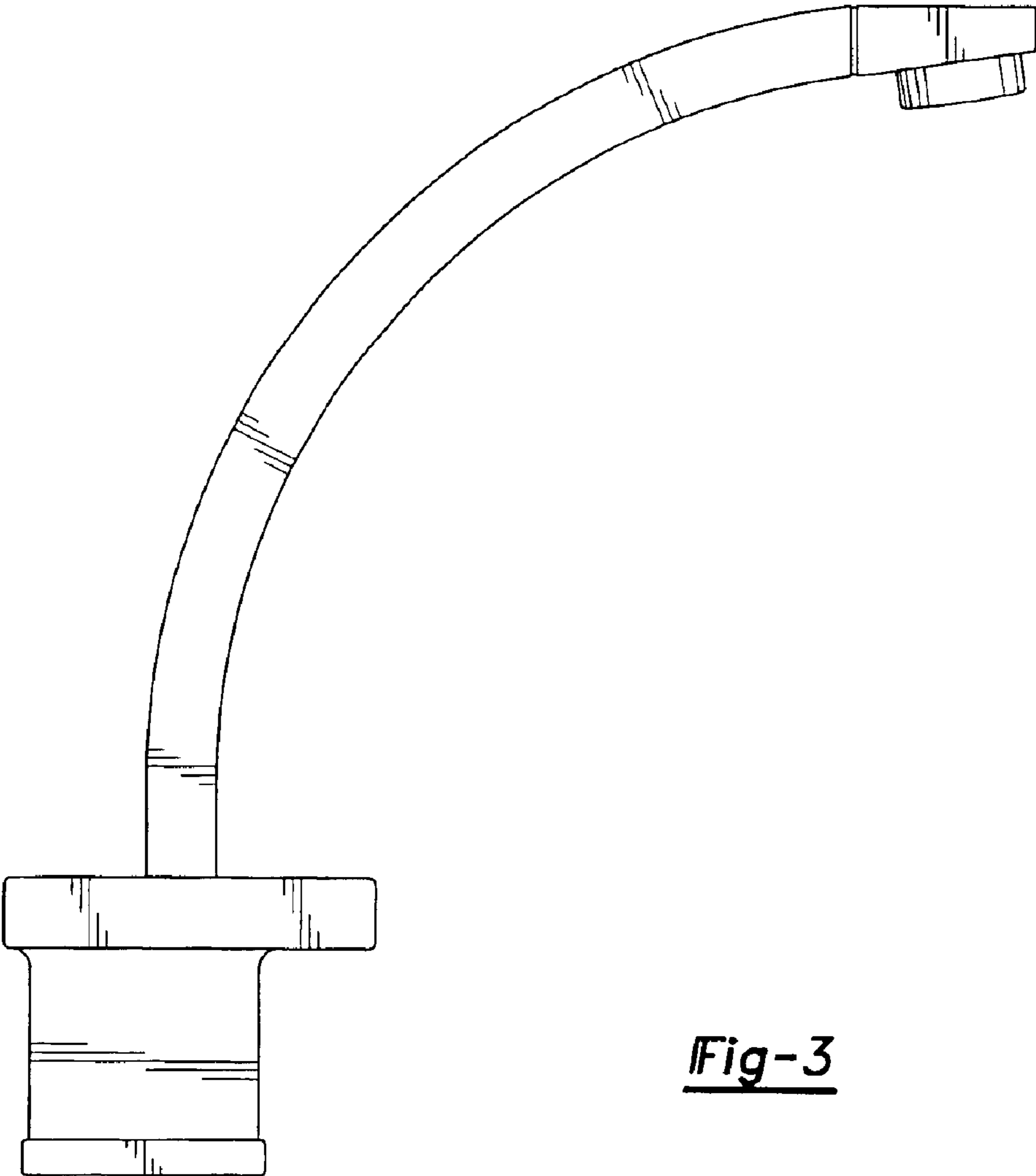


Fig-3

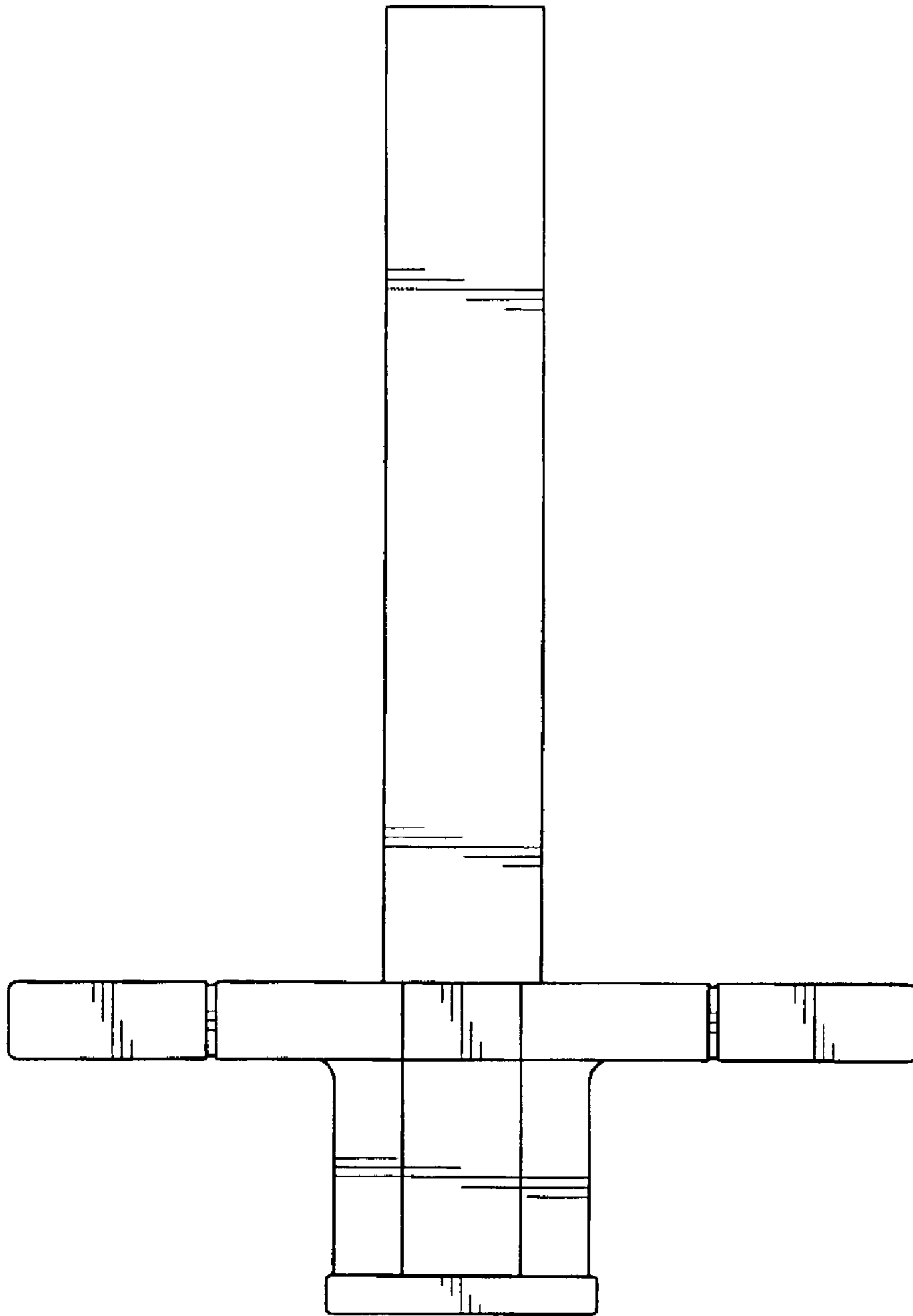


Fig-4

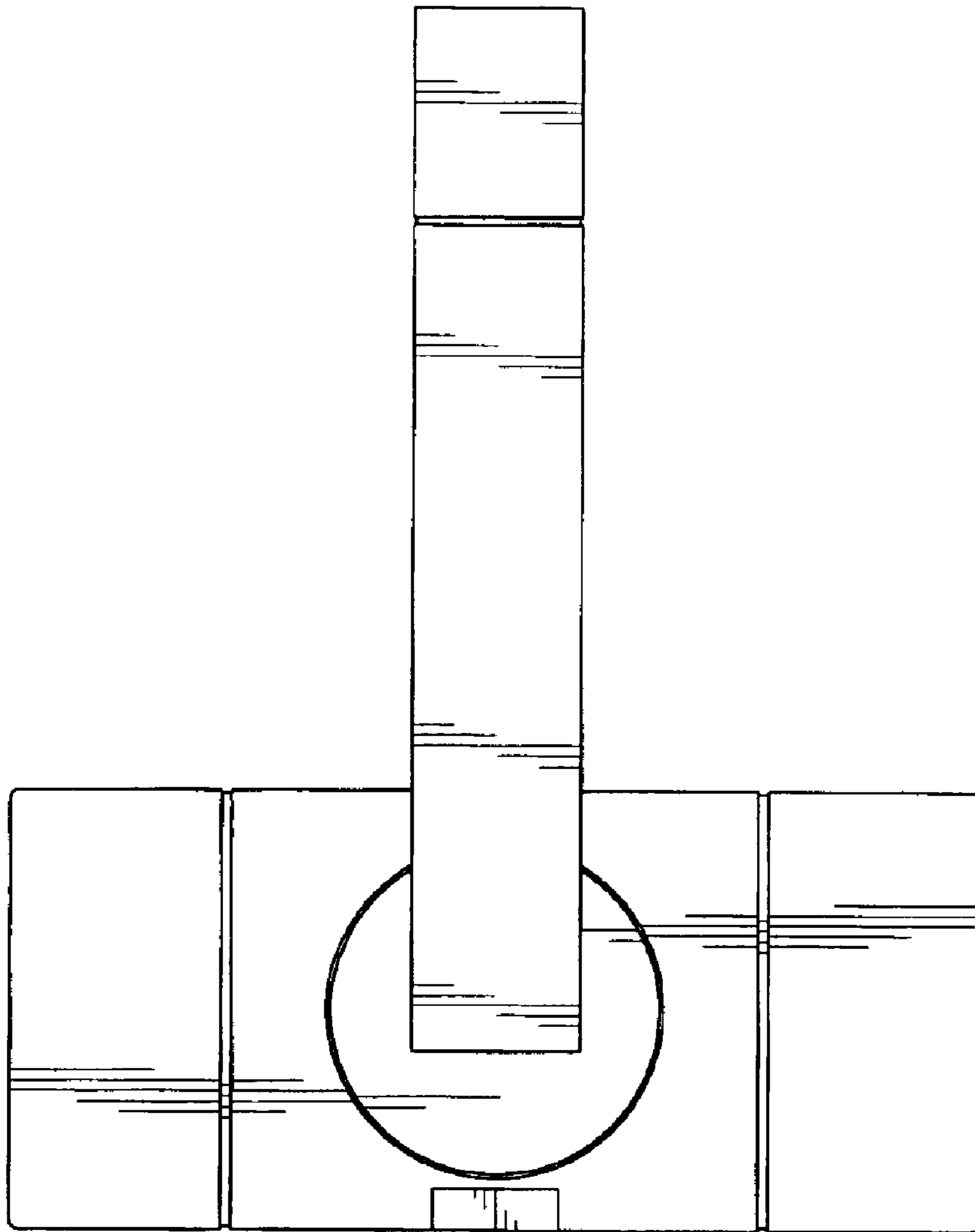


Fig-5

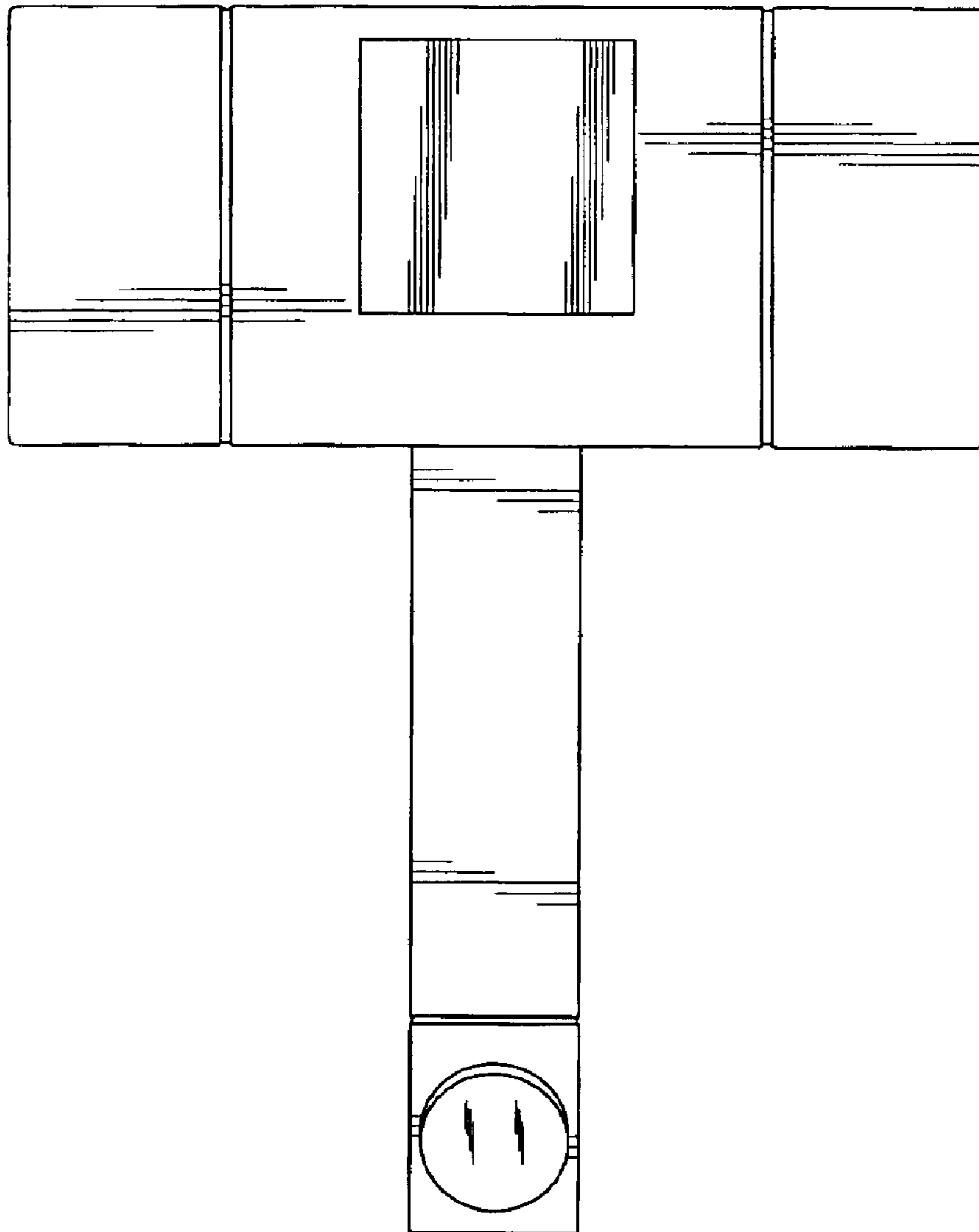


Fig-6