



US00D510610S

(12) **United States Design Patent**
Bailey et al.

(10) **Patent No.:** **US D510,610 S**
(45) **Date of Patent:** **** Oct. 11, 2005**

(54) **HAND-HELD SHOWER**

D477,652 S * 7/2003 Itoh D23/223
D481,107 S * 10/2003 Lord D23/255

(75) Inventors: **Curt Bailey**, Birmingham, MI (US);
Noah Dingler, Waterford, MI (US);
Dominic Daunter, Howell, MI (US)

* cited by examiner

(73) Assignee: **Alsons Corporation**, Hillsdale, MI
(US)

Primary Examiner—Robin V. Taylor
(74) *Attorney, Agent, or Firm*—Edgar A. Zarins; Lloyd D.
Doigan

(**) Term: **14 Years**

(57) **CLAIM**

(21) Appl. No.: **29/208,487**

The ornamental design for a hand-held shower, as shown
and described.

(22) Filed: **Jun. 29, 2004**

DESCRIPTION

(51) **LOC (8) Cl.** **23-01**

FIG. 1 is a perspective view of a hand-held shower showing
our new design;

(52) **U.S. Cl.** **D23/223**

FIG. 2 is a front elevational view thereof;

(58) **Field of Search** D23/213, 223,
D23/229; 239/394, 525, 282, 283

FIG. 3 is an end view thereof;

FIG. 4 is a right side view thereof, the opposite side being
a mirror image of the side shown; and,

FIG. 5 is a rear view thereof.

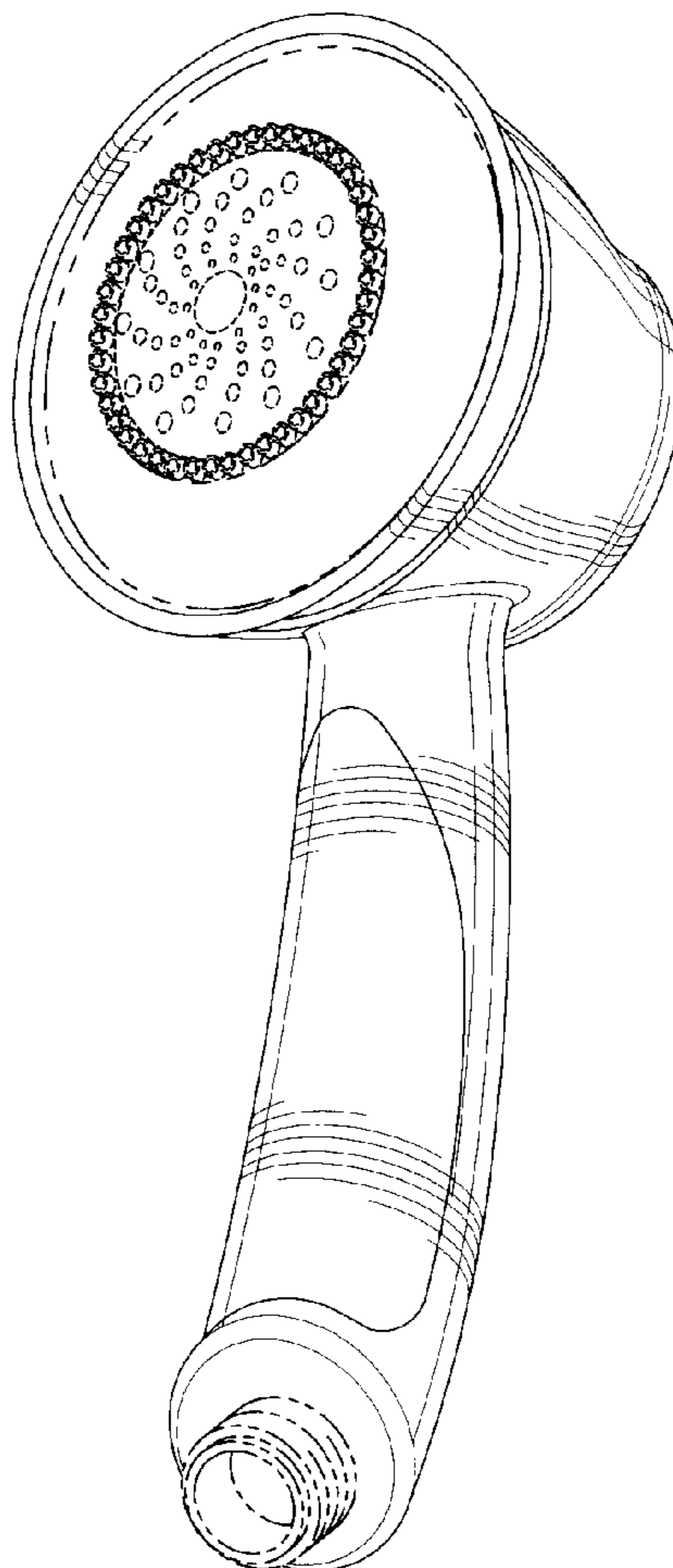
(56) **References Cited**

The broken line showing is for illustrative purposes only and
forms no part of the claimed design.

U.S. PATENT DOCUMENTS

D408,888 S * 4/1999 Huen D23/223
D445,871 S * 7/2001 Fan D23/223
D470,219 S * 2/2003 Schweitzer D23/223

1 Claim, 2 Drawing Sheets



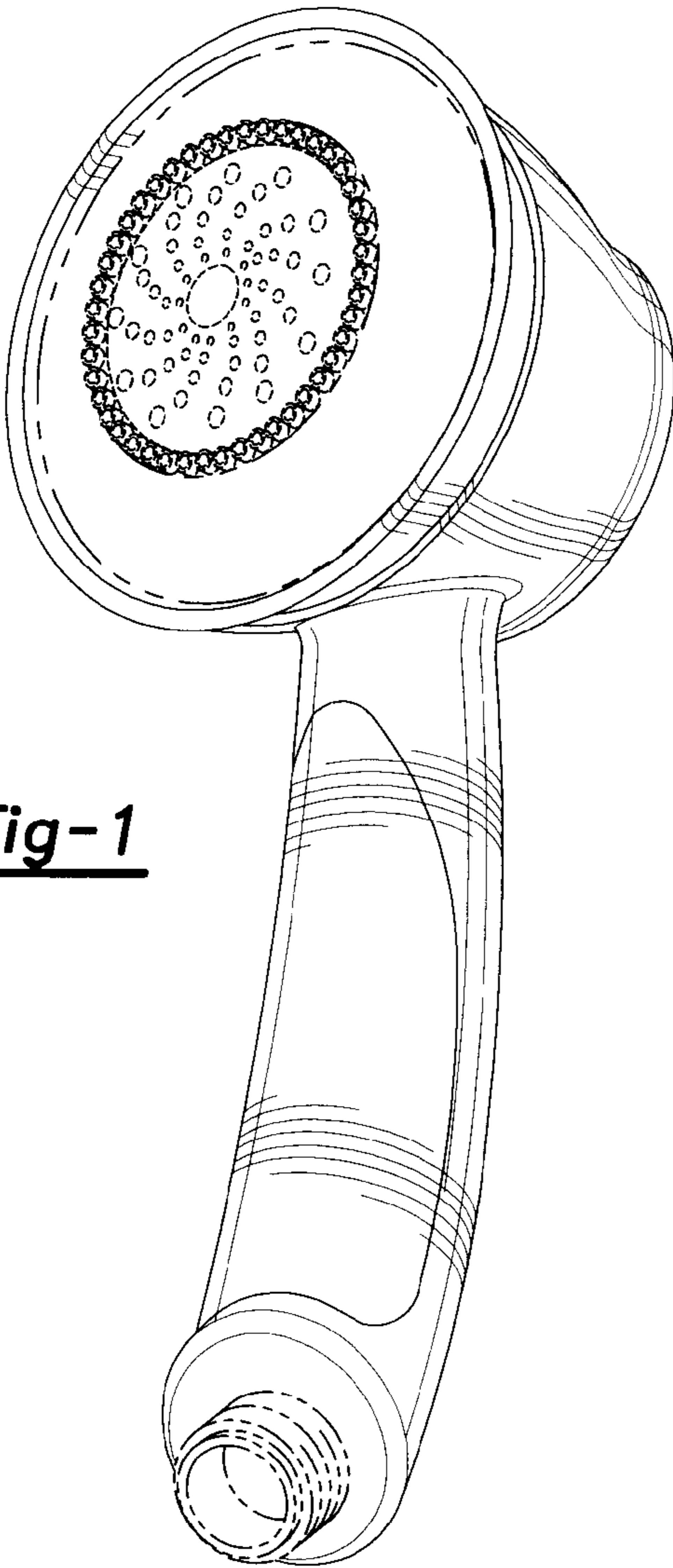


Fig-1

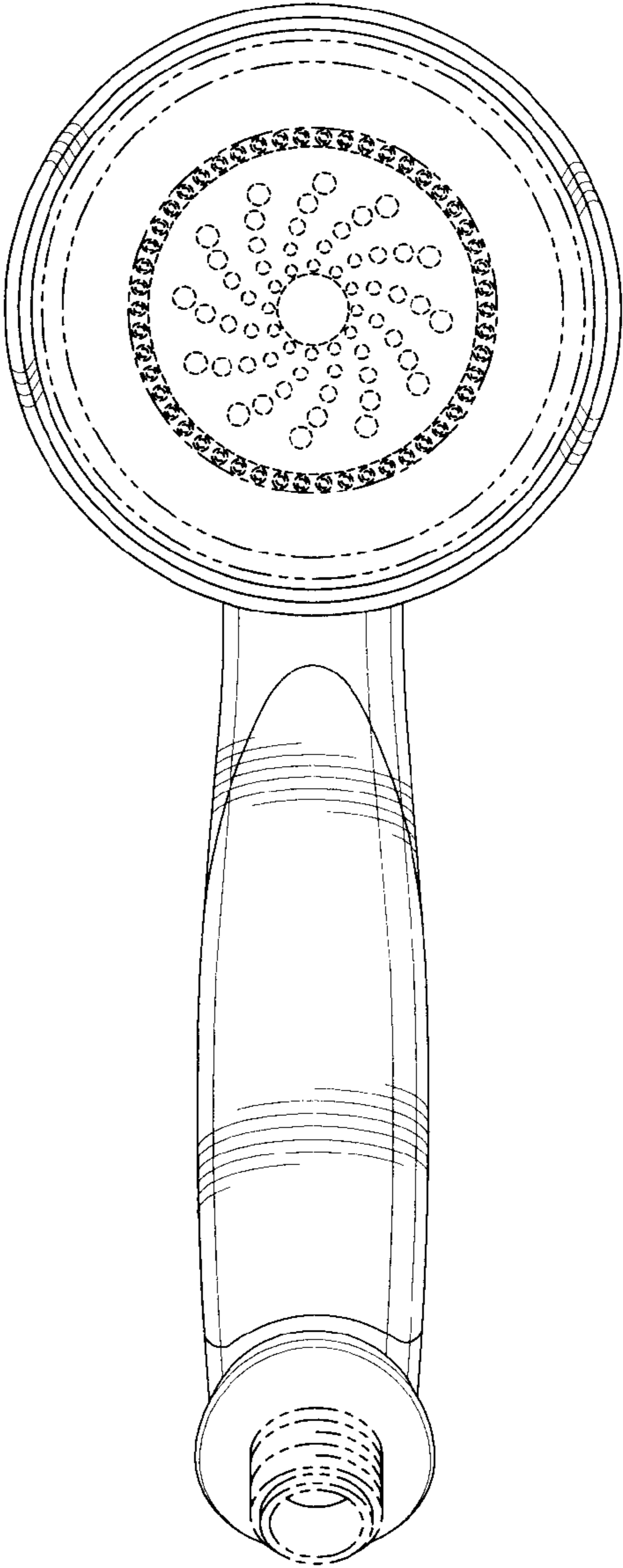


Fig-2

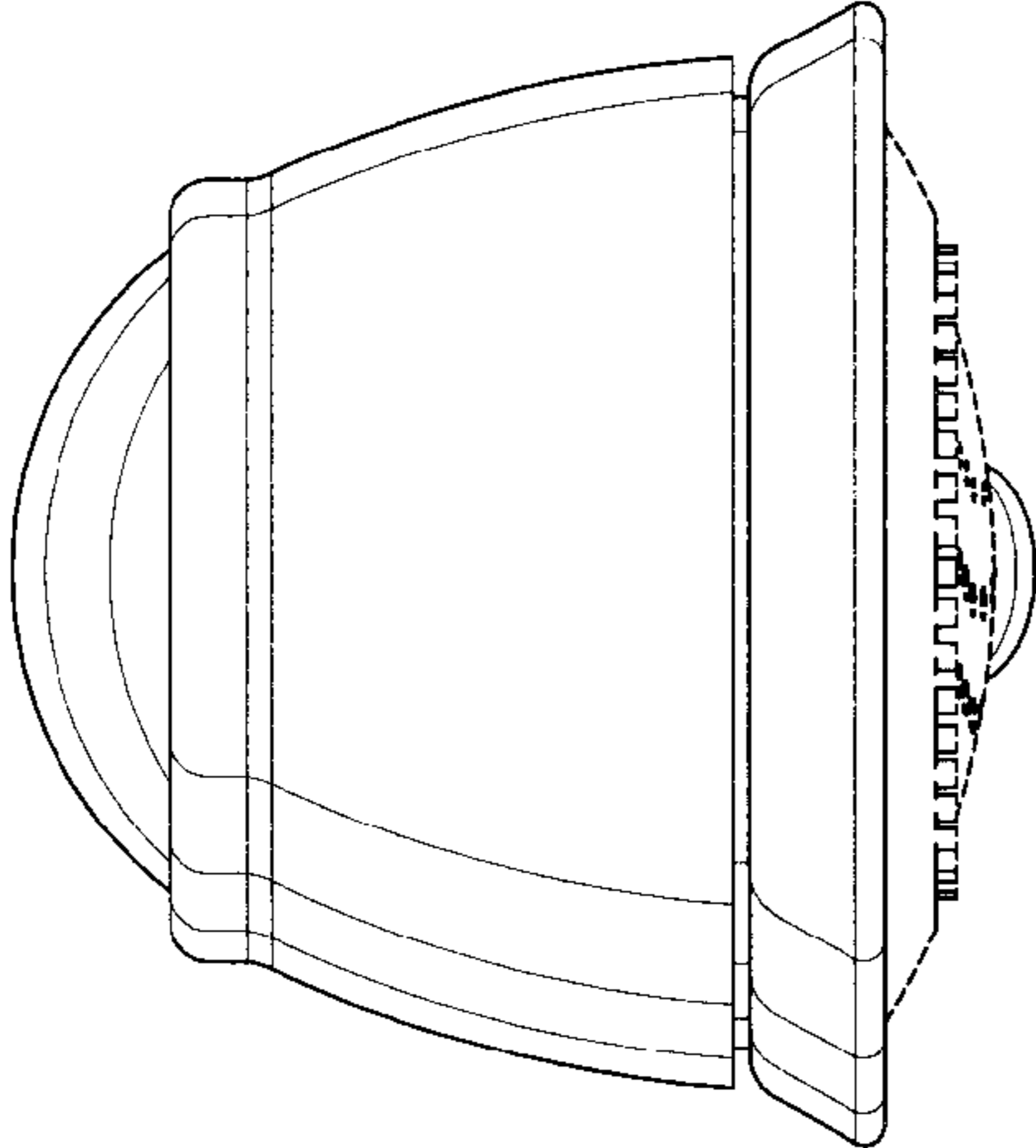


Fig-3

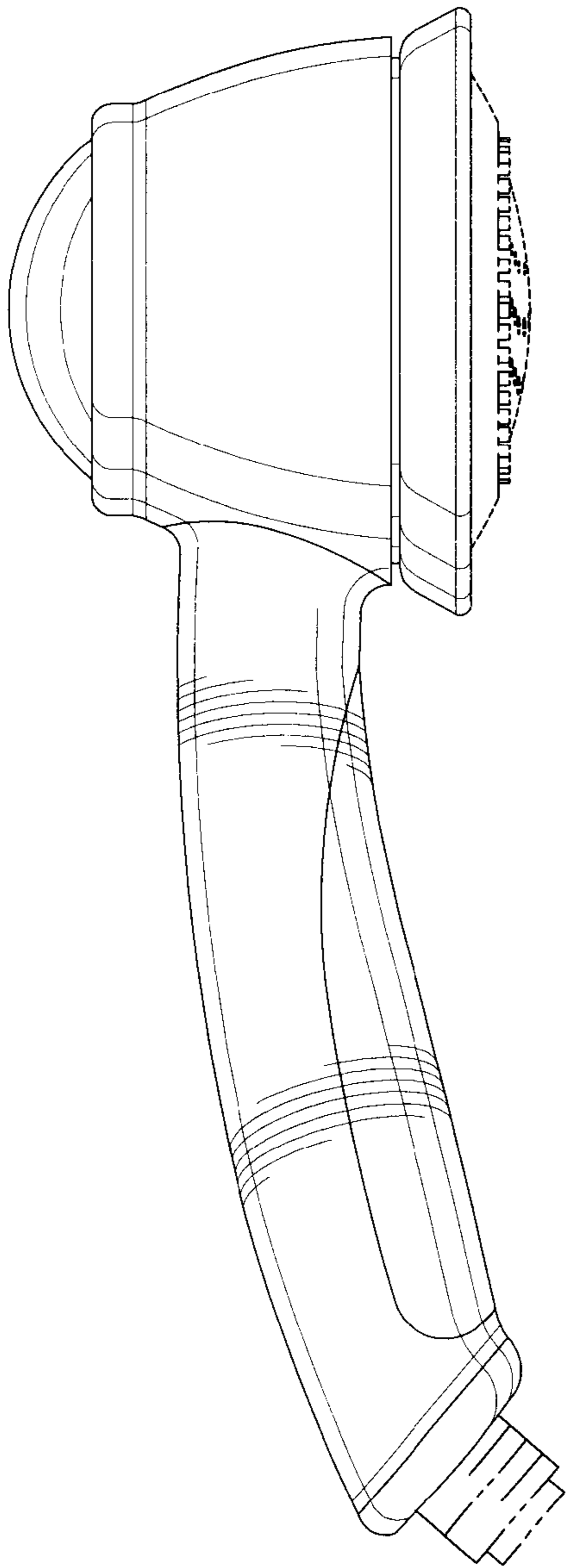


Fig-4

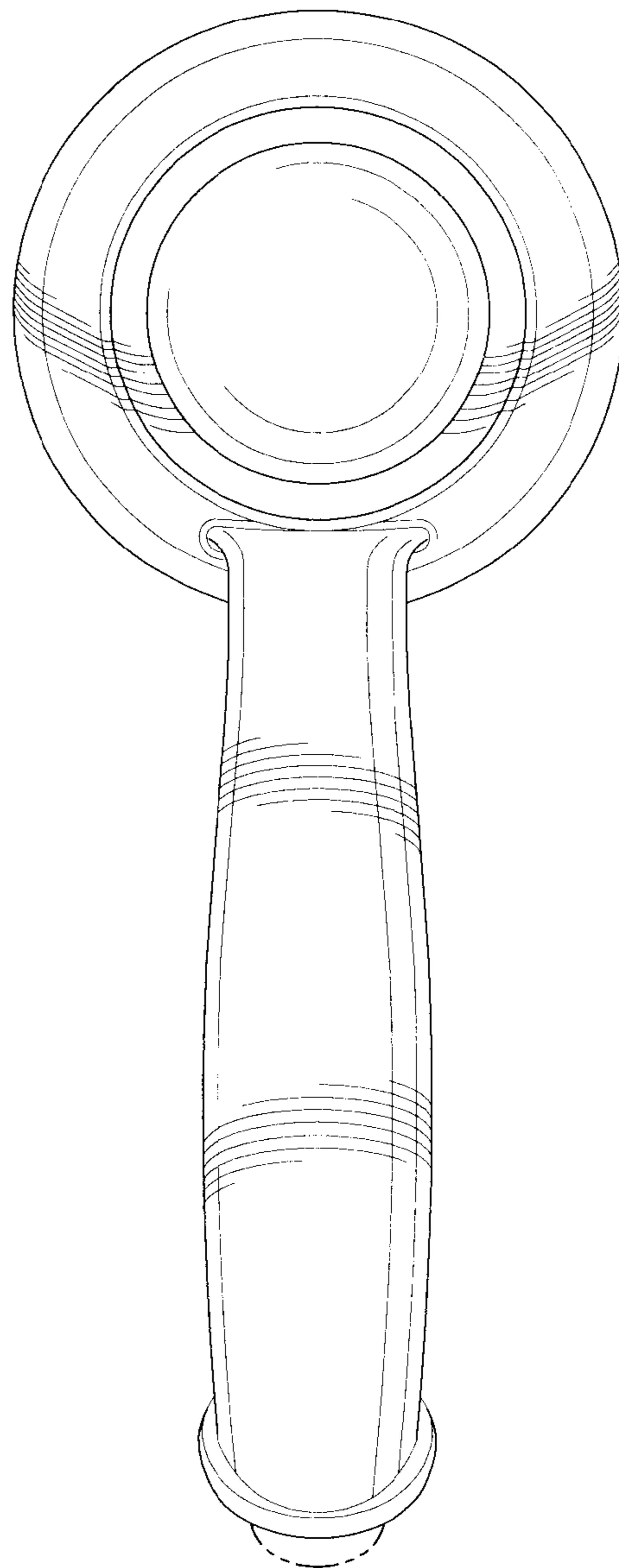


Fig-5