



US00D510609S

(12) **United States Design Patent**
Huang

(10) **Patent No.:** **US D510,609 S**

(45) **Date of Patent:** **** Oct. 11, 2005**

(54) **CEMENT SPRAY GUN BODY**

D499,168 S * 11/2004 Huang D23/223
6,860,438 B1 * 3/2005 Huang 239/394

(76) **Inventor:** **Tiao-Hsiang Huang**, No. 190, Chung Cheng St., Shin Chuang City, Taipei Hsien (TW)

* cited by examiner

Primary Examiner—Robin V. Taylor
(74) *Attorney, Agent, or Firm*—Rosenberg, Klein & Lee

(**) **Term:** **14 Years**

(57) **CLAIM**

(21) **Appl. No.:** **29/206,513**

I claim, the ornamental design for a cement spray gun body, as shown and described.

(22) **Filed:** **Jun. 2, 2004**

(51) **LOC (8) Cl.** **23-01**

DESCRIPTION

(52) **U.S. Cl.** **D23/223**

(58) **Field of Search** D23/213, 223,
D23/226; 239/525, 526, 527, 394

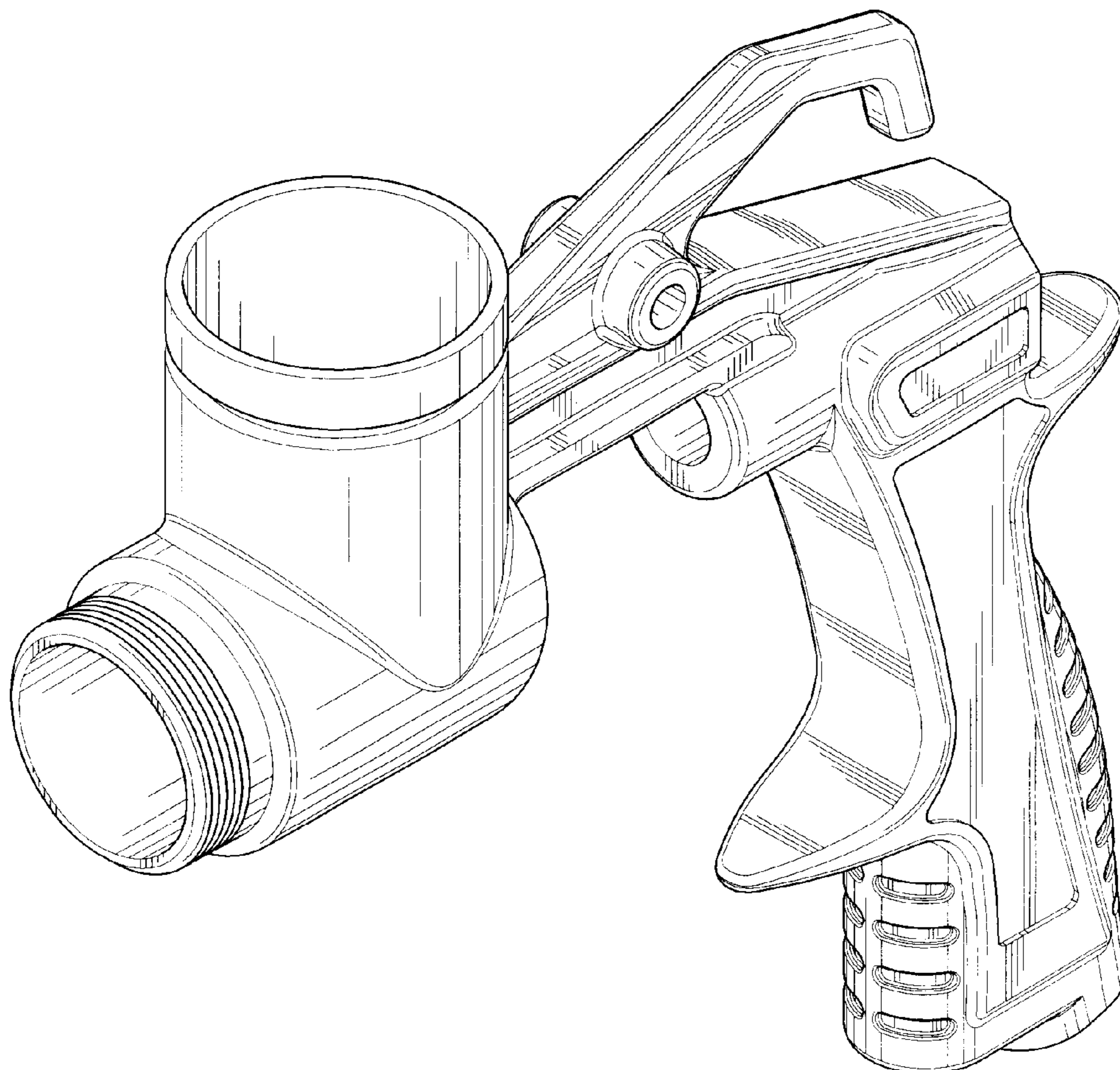
FIG. 1 is a perspective view of a cement spray gun body showing my present design;
FIG. 2 is a front view thereof;
FIG. 3 is a rear view thereof;
FIG. 4 is a left view thereof;
FIG. 5 is a right view thereof;
FIG. 6 is a top plan view thereof; and,
FIG. 7 is a bottom plan view.

(56) **References Cited**

U.S. PATENT DOCUMENTS

4,915,303 A * 4/1990 Hufgard 239/300
D474,257 S * 5/2003 Huang D23/223
6,572,034 B1 * 6/2003 Liu 239/531
D487,796 S * 3/2004 Huang D23/223

1 Claim, 5 Drawing Sheets



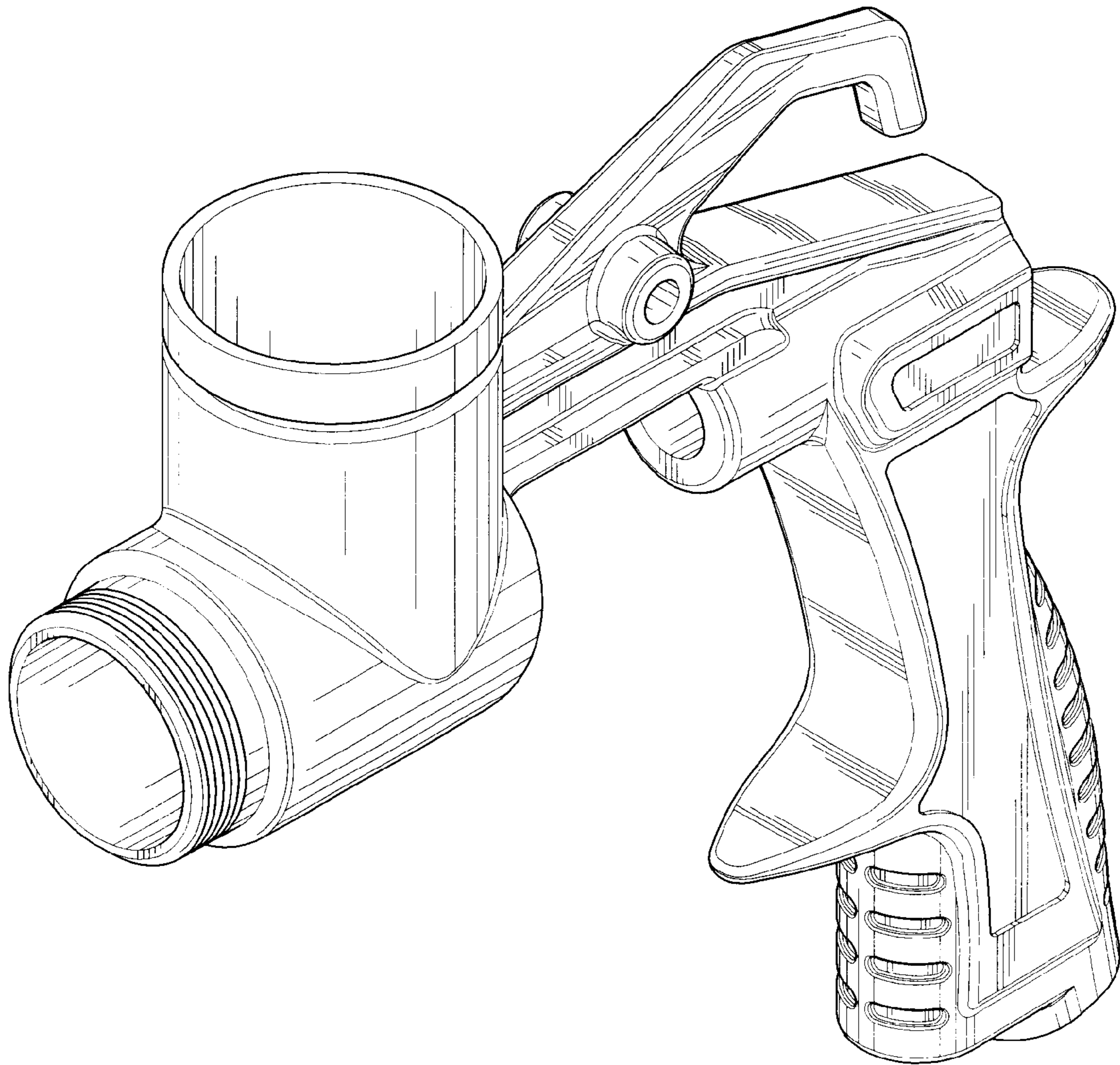


FIG. 1

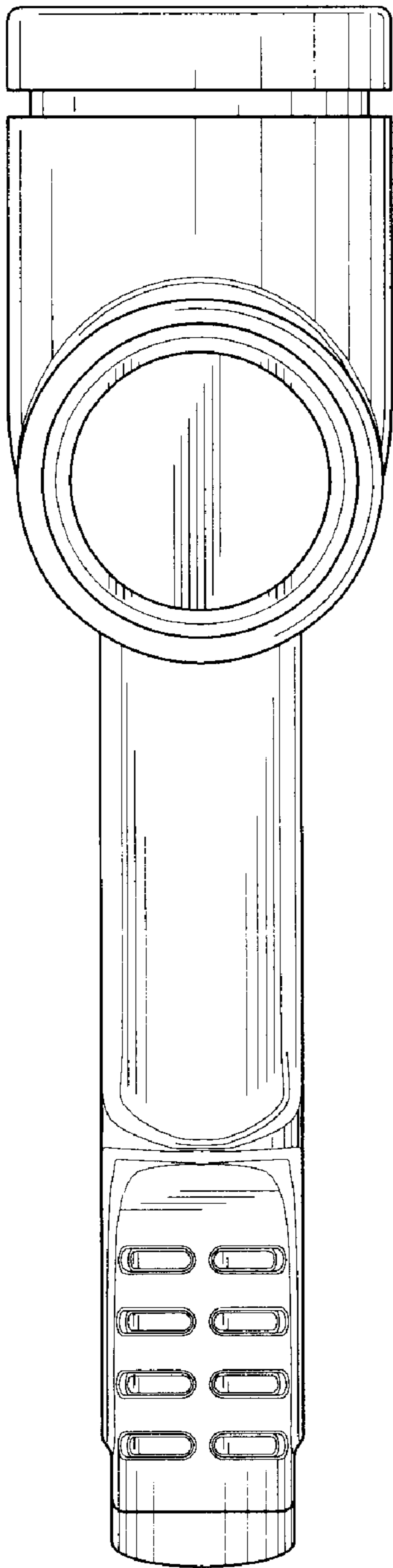


FIG. 2

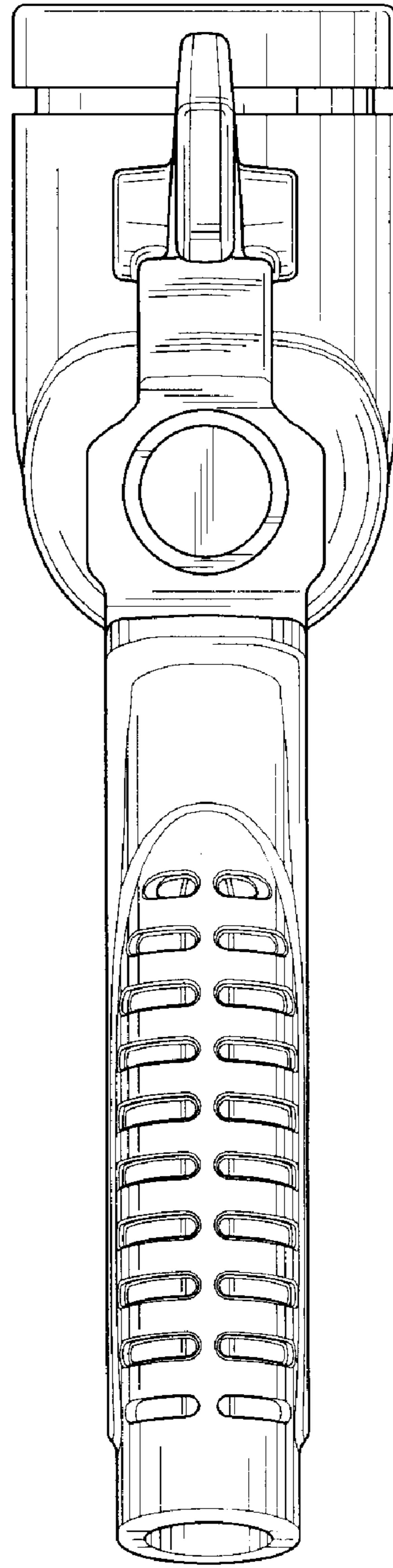


FIG. 3

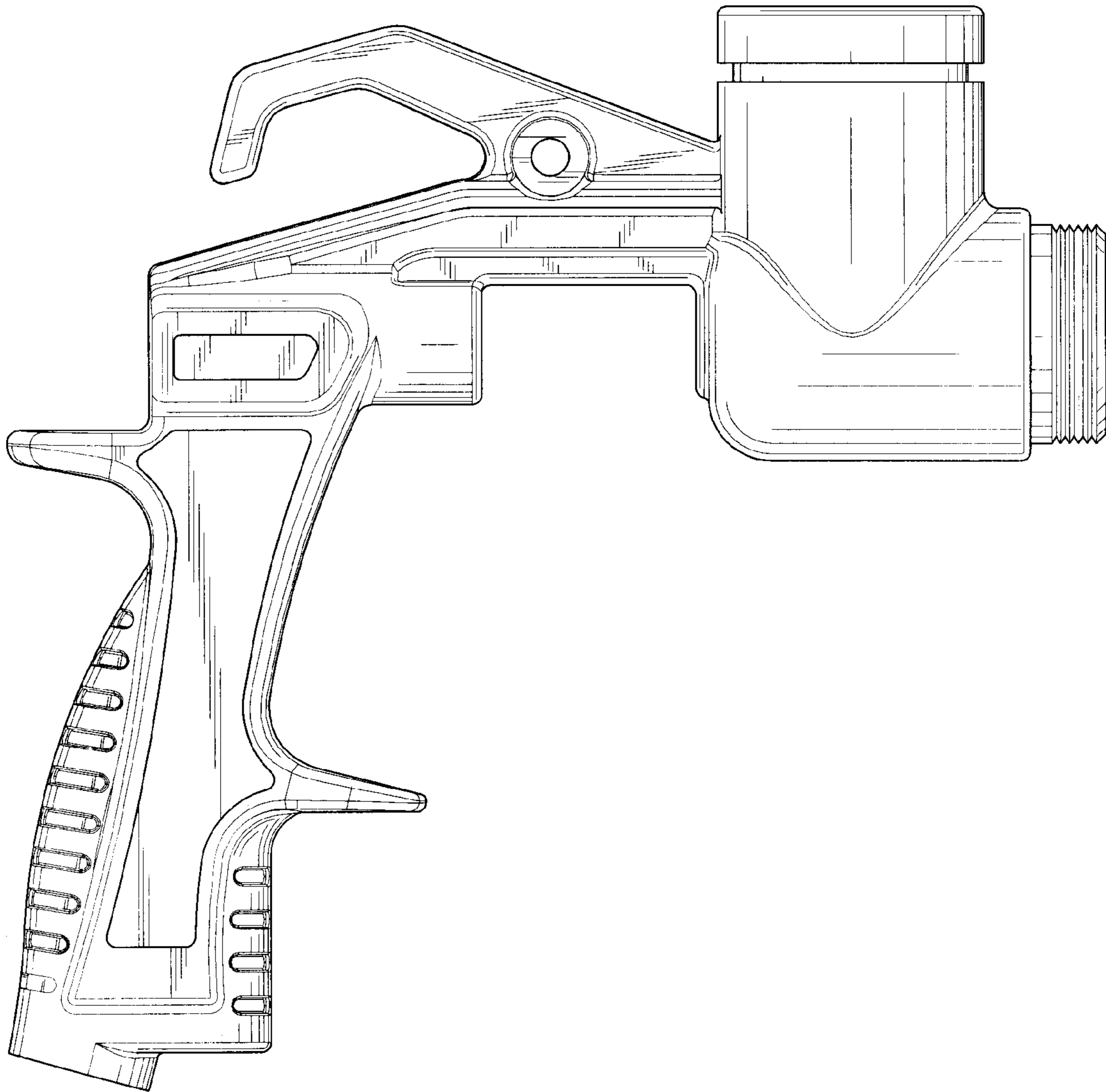


FIG . 4

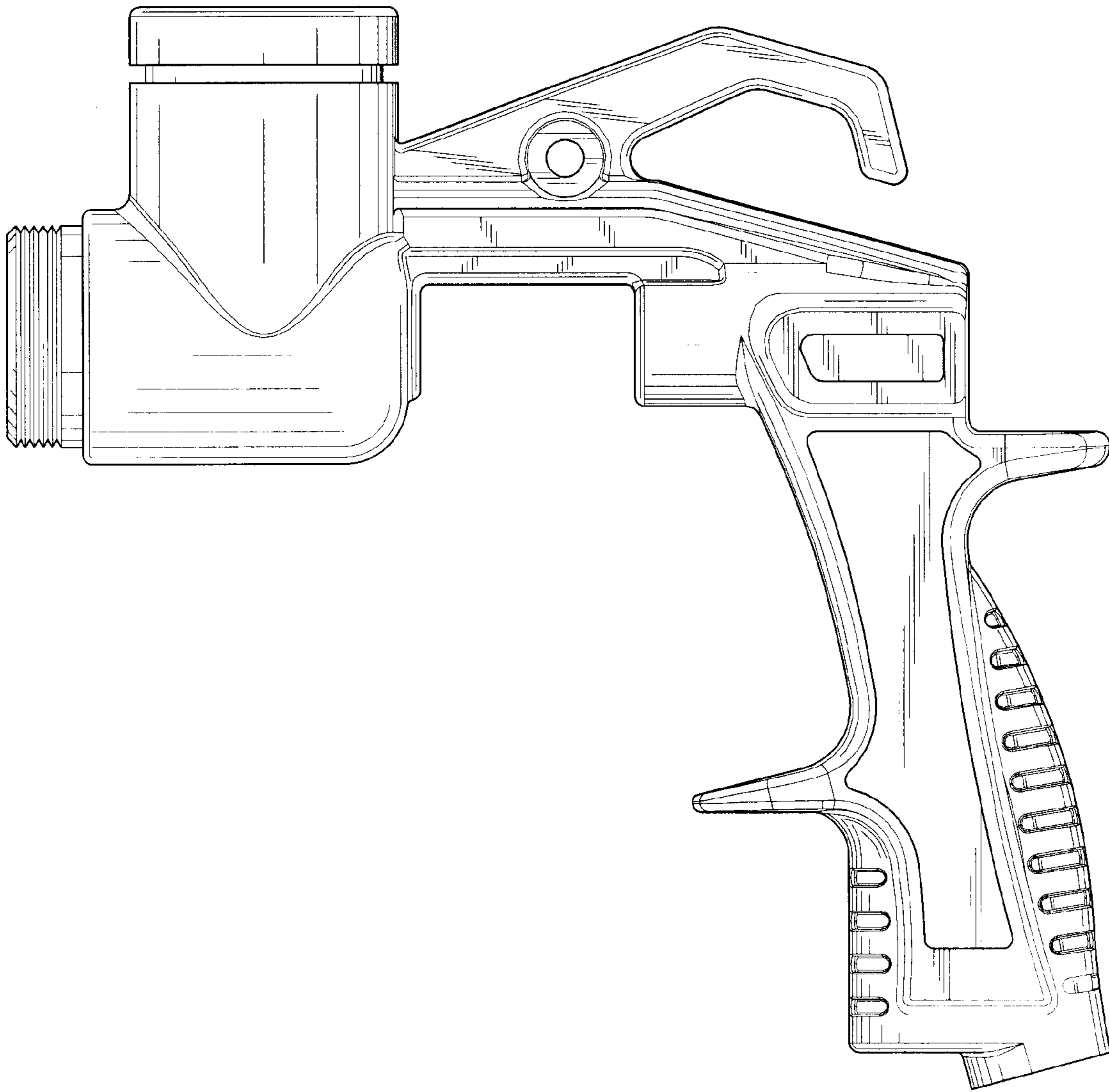


FIG. 5

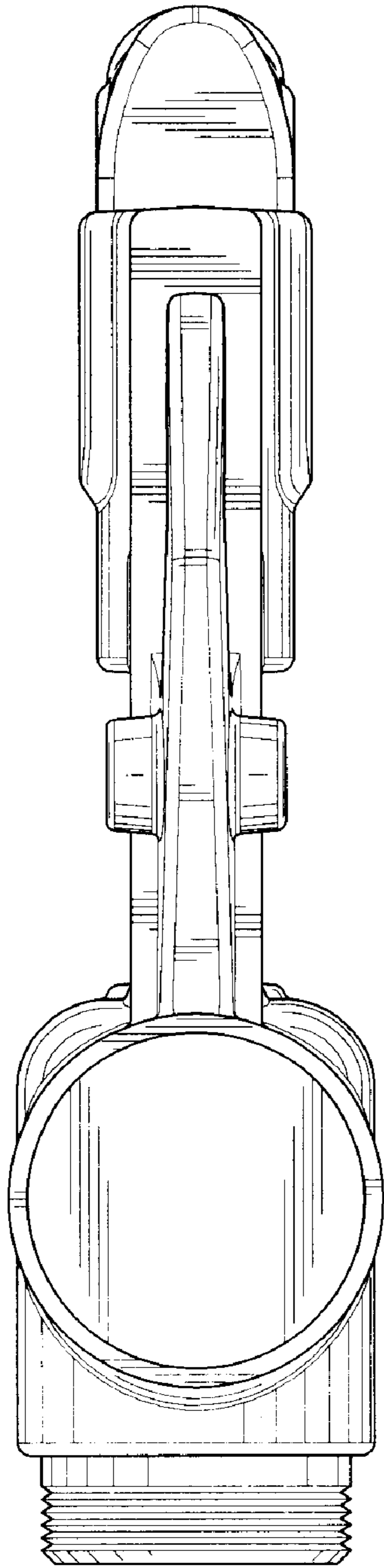


FIG. 6

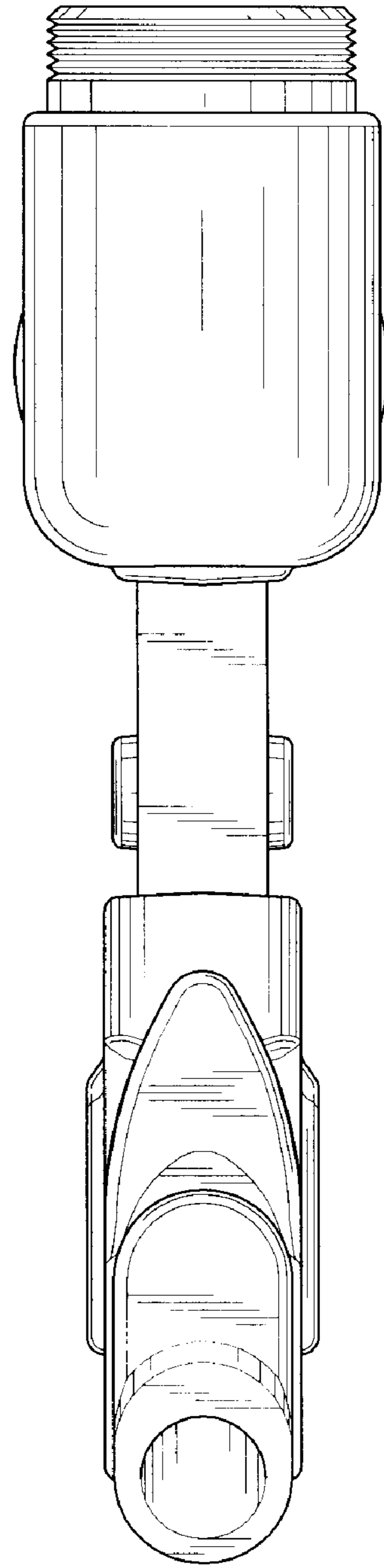


FIG. 7