



US00D510606S

(12) **United States Design Patent**
Paterson

(10) **Patent No.:** **US D510,606 S**
(45) **Date of Patent:** **** Oct. 11, 2005**

(54) **CONSTRUCTION SET ELEMENT**

(75) **Inventor:** **Fraser Paterson, Slough (GB)**

(73) **Assignee:** **Interlego AG, Baar (CH)**

(**) **Term:** **14 Years**

(21) **Appl. No.:** **29/210,317**

(22) **Filed:** **Jul. 29, 2004**

(30) **Foreign Application Priority Data**

Jan. 29, 2004 (EM) 000128681

(51) **LOC (8) Cl.** **21-01**

(52) **U.S. Cl.** **D21/503; D21/484**

(58) **Field of Search** **D21/484-506,**
D21/528, 561; 446/85, 88, 93-128, 479

(56) **References Cited**

U.S. PATENT DOCUMENTS

D364,658 S * 11/1995 Bromso D21/503

OTHER PUBLICATIONS

Lego catalog, p. 25, 1997.*

* cited by examiner

Primary Examiner—Raphael Barkai

(74) *Attorney, Agent, or Firm*—Pitney Hardin LLP

(57) **CLAIM**

The ornamental design for a construction set element, as shown and described.

DESCRIPTION

FIG. 1 is a top perspective view of the construction set element design;

FIG. 2 is a bottom perspective view thereof;

FIG. 3 is a right end elevational view (off FIG. 1) thereof;

FIG. 4 is a left end elevational view (off FIG. 1) thereof;

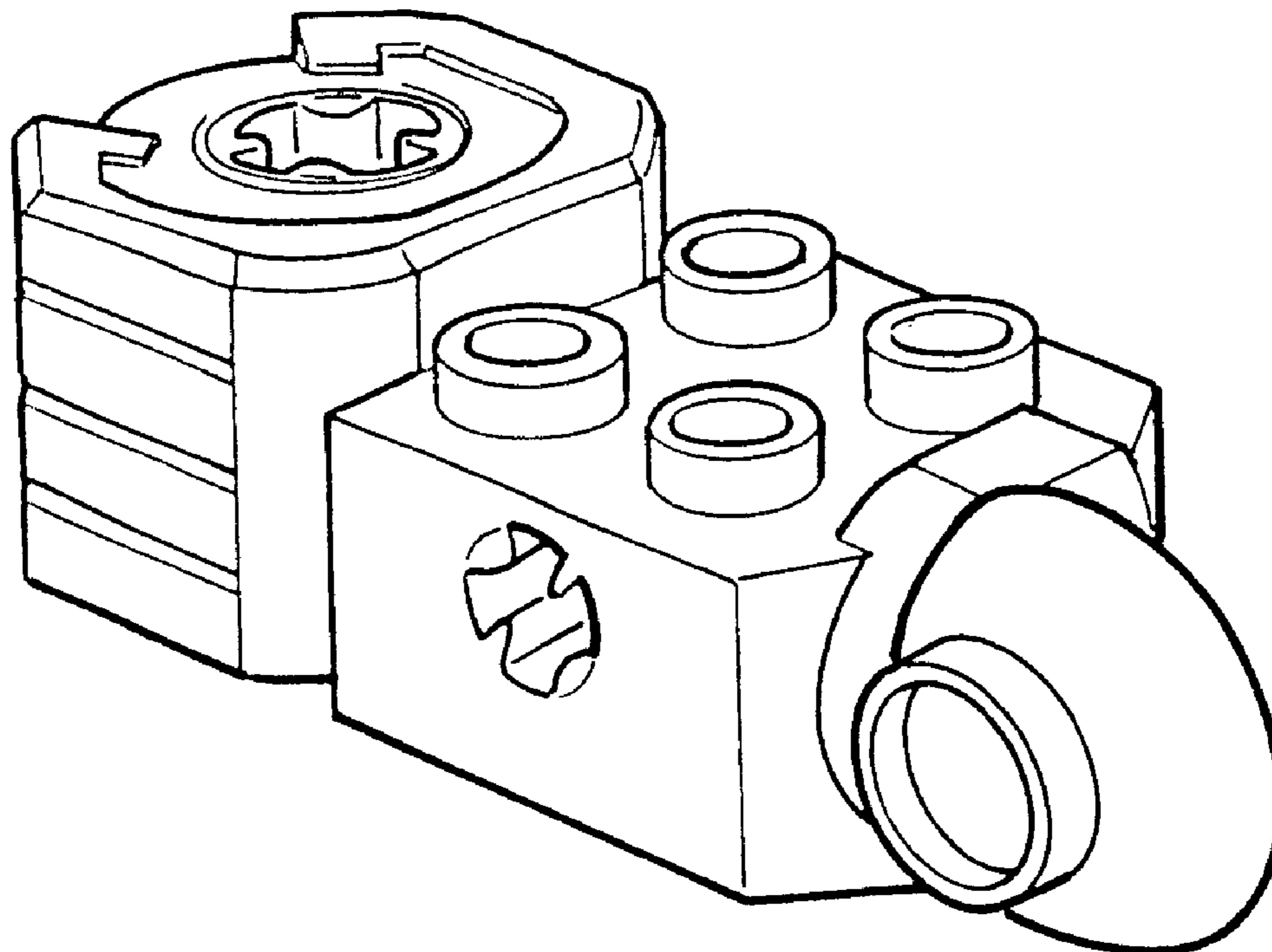
FIG. 5 is a front elevational view thereof;

FIG. 6 is a rear elevational view thereof;

FIG. 7 is a top plan view thereof; and,

FIG. 8 is a bottom plan view thereof.

1 Claim, 2 Drawing Sheets



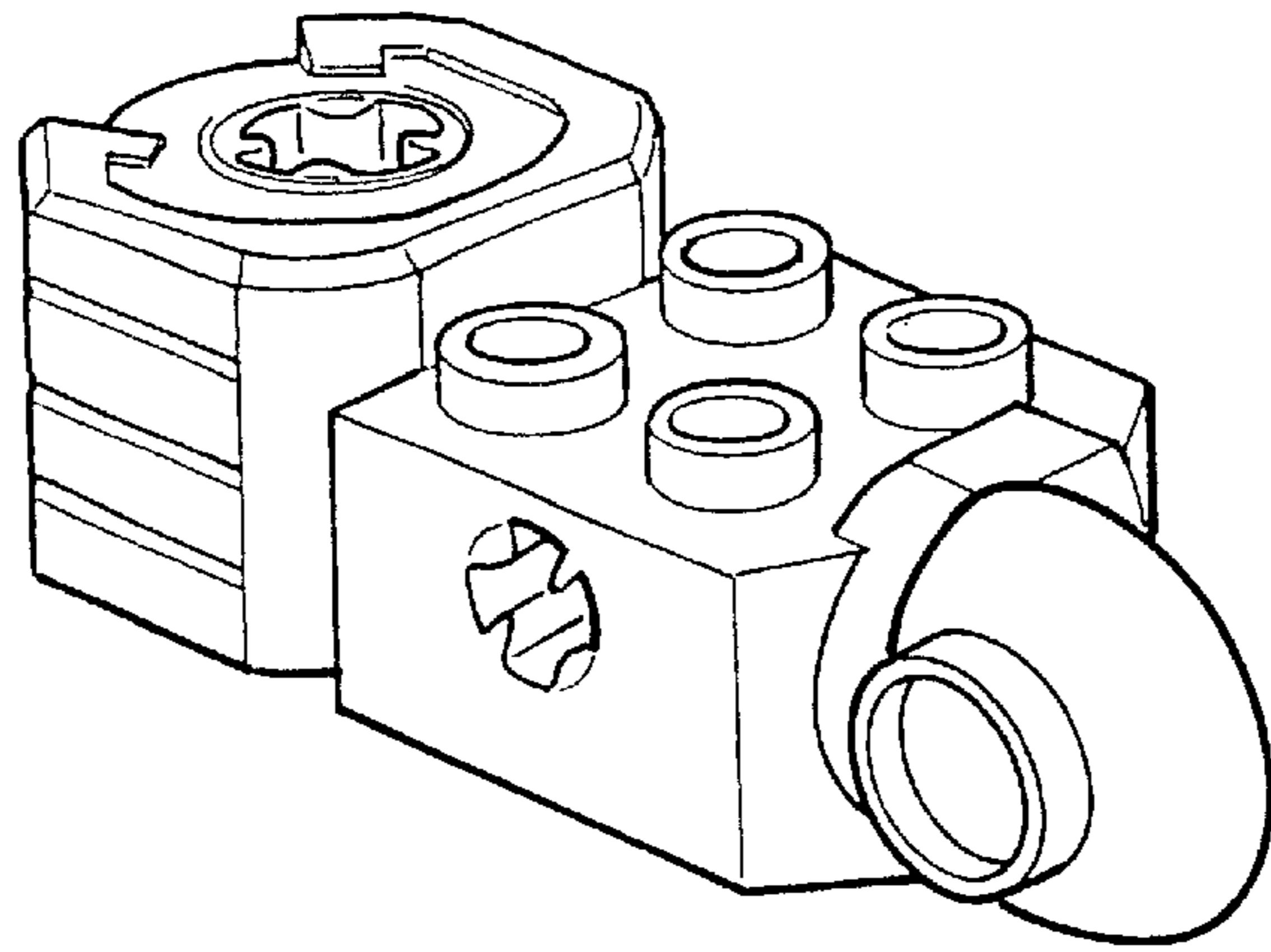


FIG. 1

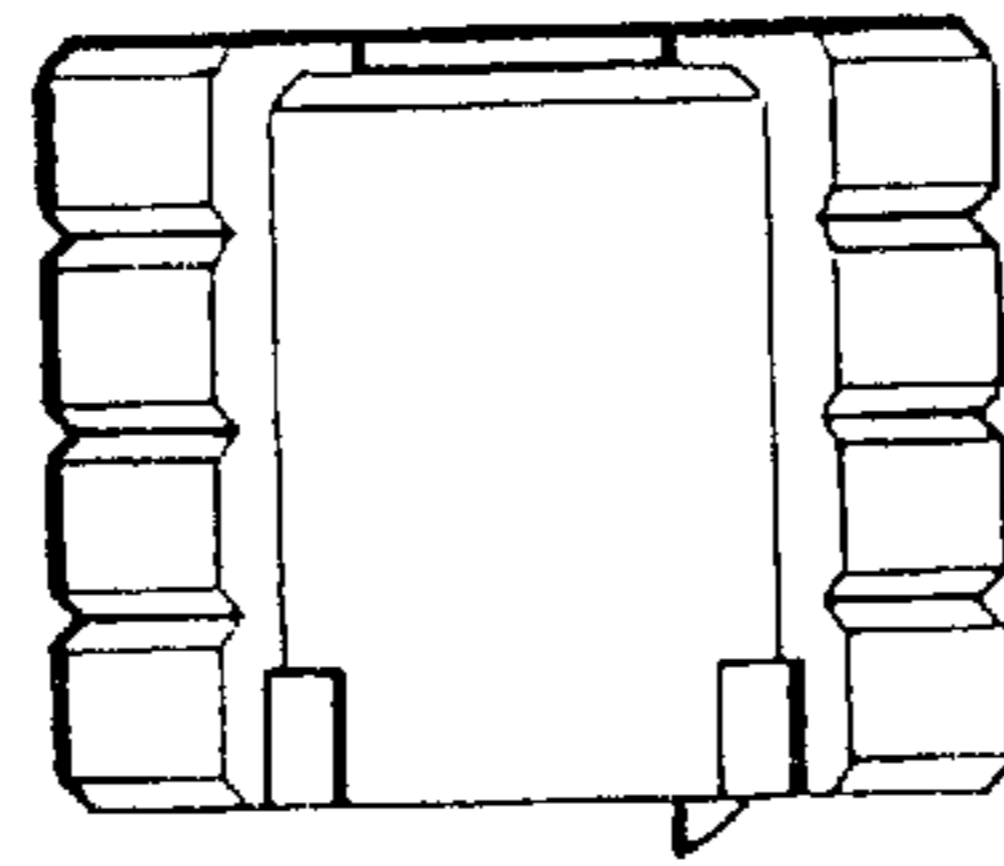


FIG. 4

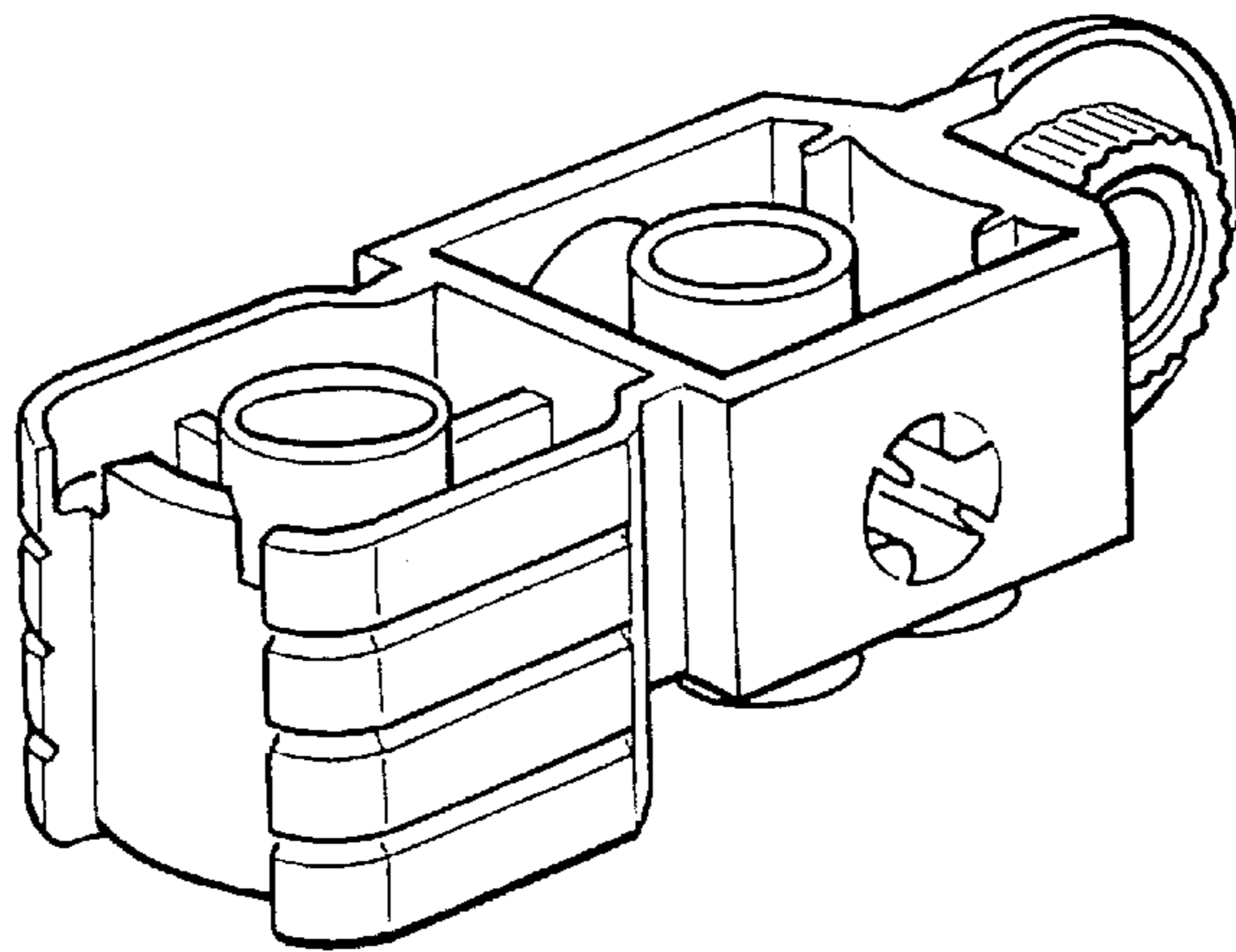


FIG. 2

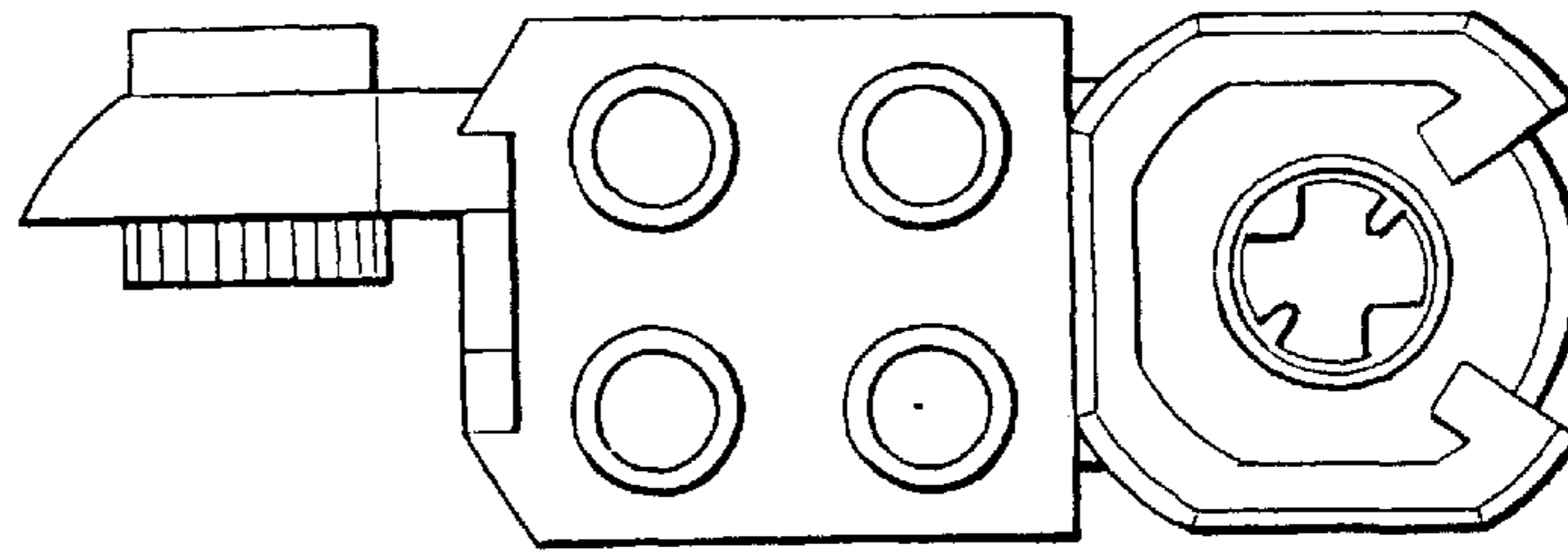


FIG. 7

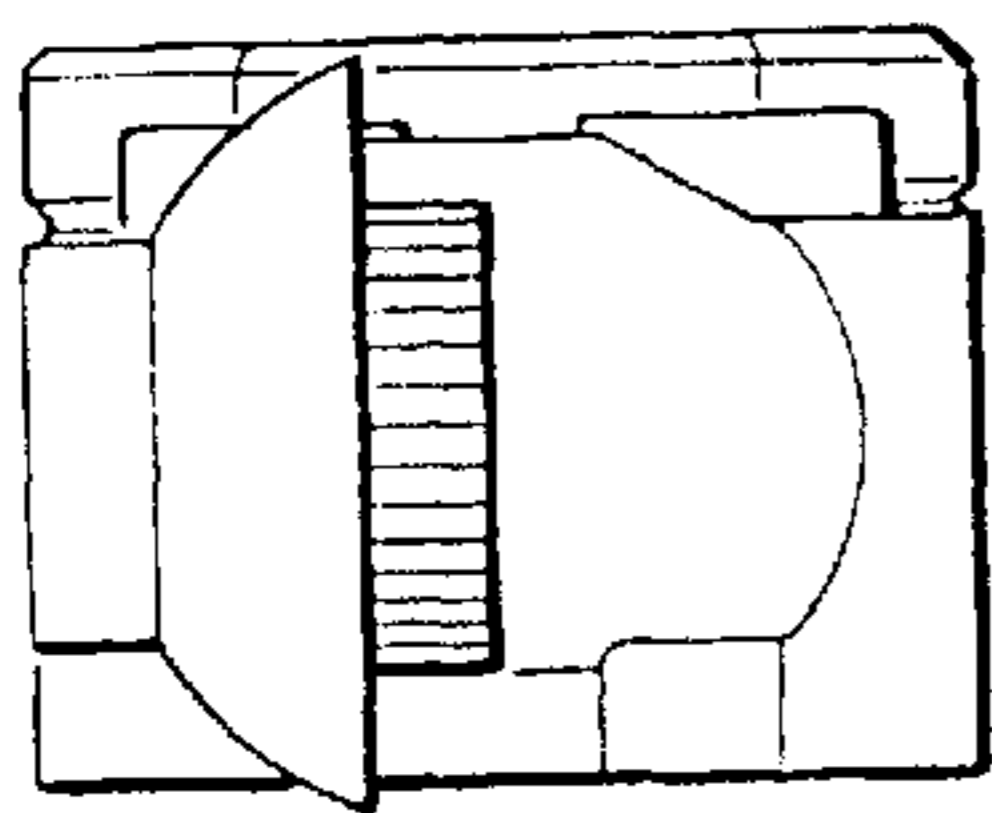


FIG. 3

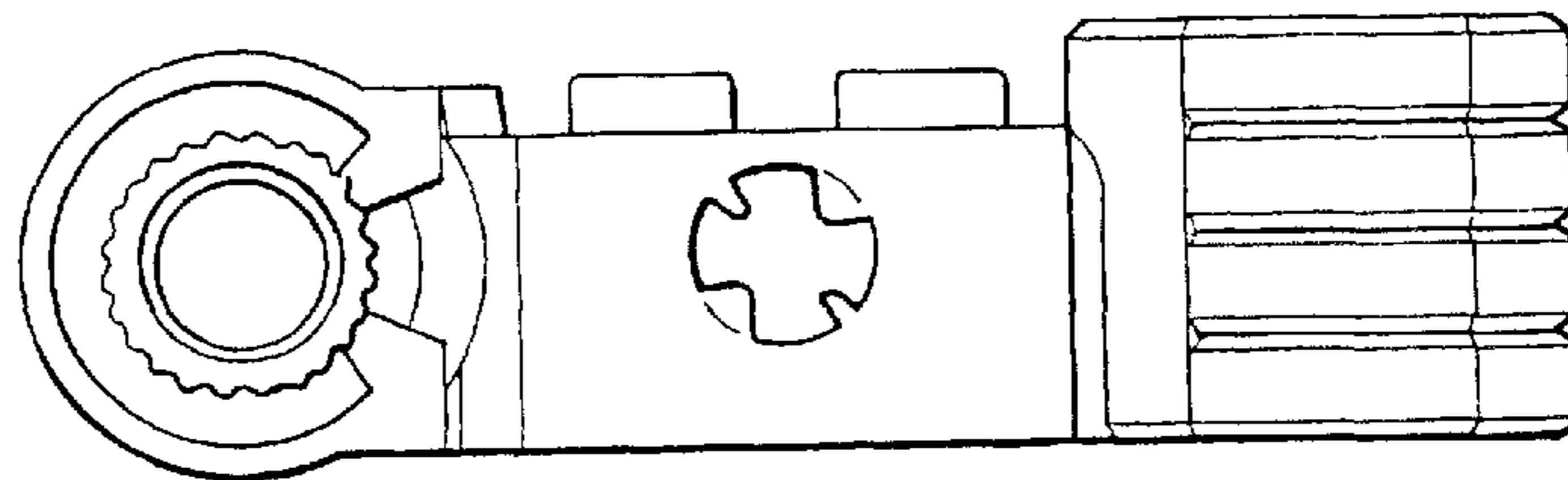


FIG. 6

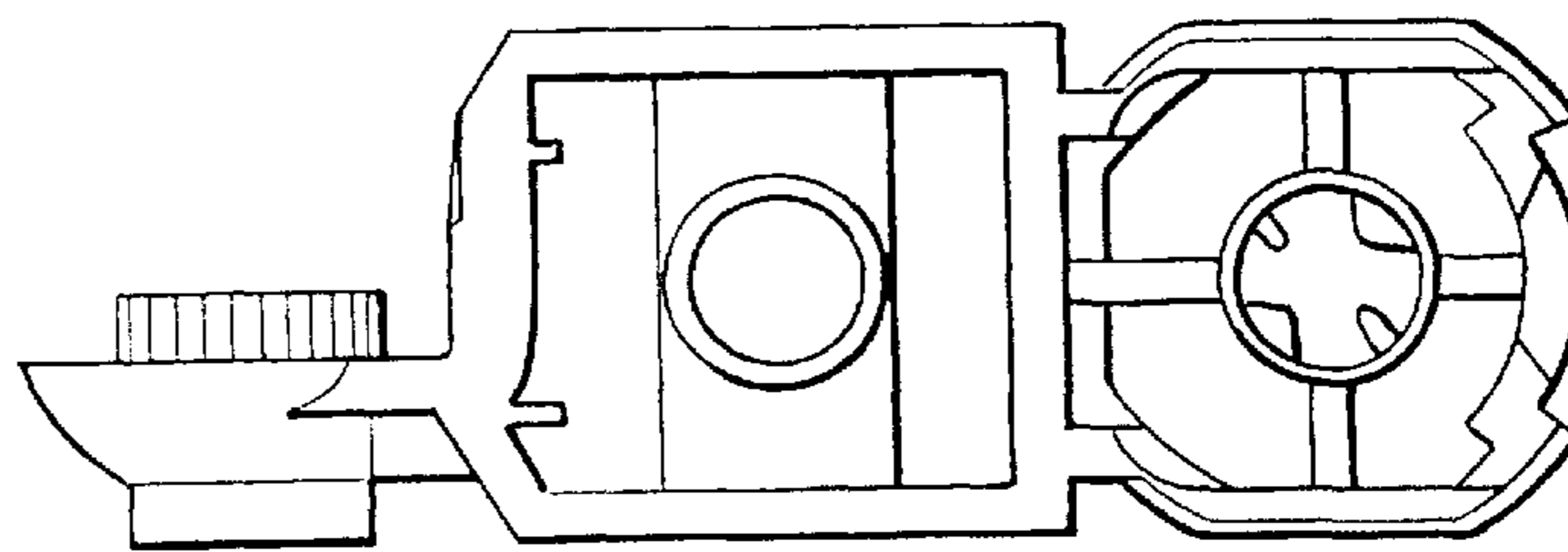


FIG. 8

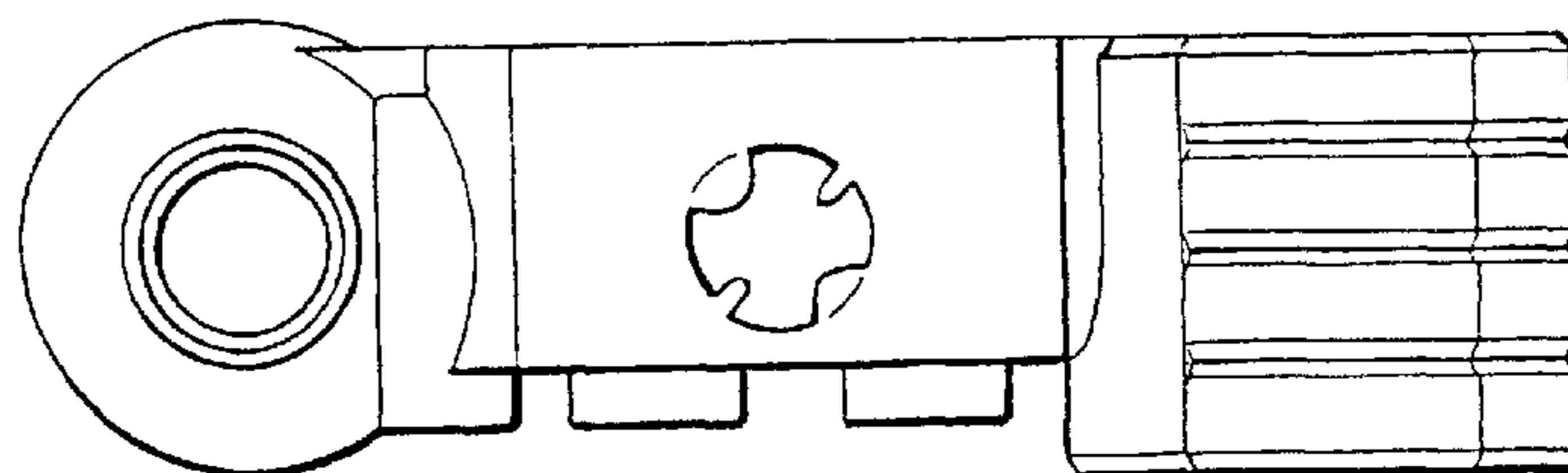


FIG. 5