



US00D510603S

(12) **United States Design Patent**
Lowry

(10) **Patent No.:** **US D510,603 S**
(45) **Date of Patent:** **** Oct. 11, 2005**

(54) **ELECTRONIC SHELF LABEL FOR COFFIN COOLER FRONT**

5,272,826 A * 12/1993 Gingras 40/661.01
D482,406 S * 11/2003 McIlvaine D20/43
D484,545 S * 12/2003 McIlvaine D20/43

(75) Inventor: **Michael G. Lowry**, Boca Raton, FL (US)

* cited by examiner

(73) Assignee: **Fast Industries, Ltd.**, Fort Lauderdale, FL (US)

Primary Examiner—Robert M. Spear
(74) *Attorney, Agent, or Firm*—Jacobson Holman PLLC

(**) Term: **14 Years**

(57) **CLAIM**

(21) Appl. No.: **29/220,720**

The ornamental design for an electronic shelf label for coffin cooler front, as shown and described.

(22) Filed: **Jan. 6, 2005**

DESCRIPTION

(51) **LOC (8) Cl.** **20-03**

FIG. 1 is a front perspective view showing my new design for an electronic shelf label for coffin cooler front,

(52) **U.S. Cl.** **D20/44**

FIG. 2 is a top view thereof;

(58) **Field of Search** D6/410; D8/300, D8/315, 316, 373; D20/10, 43, 44, 99; 40/316, 533, 603, 617, 642.01, 642.02, 649, 650, 653, 654.01, 661, 661.03, 661.05

FIG. 3 is a bottom view thereof;

FIG. 4 is a front view thereof;

FIG. 5 is a rear view thereof;

FIG. 6 is a left side view thereof; and,

FIG. 7 is a right side view thereof.

(56) **References Cited**

In FIGS. 1–5, the electronic shelf label for coffin cooler front is shown broken away in the center to represent indeterminate length.

U.S. PATENT DOCUMENTS

D175,481 S * 8/1955 Slavsky D20/44
4,866,868 A * 9/1989 Kass 40/661

1 Claim, 5 Drawing Sheets

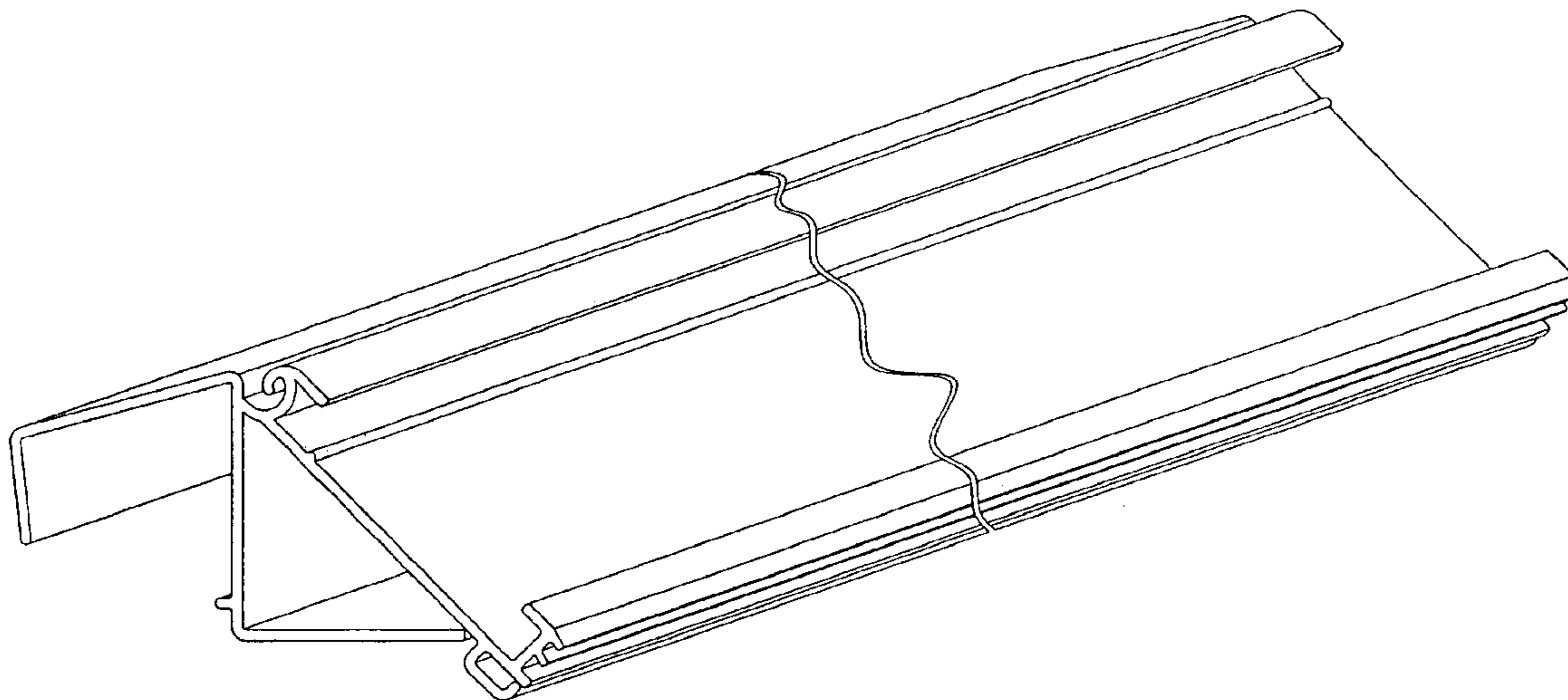


FIG. 1

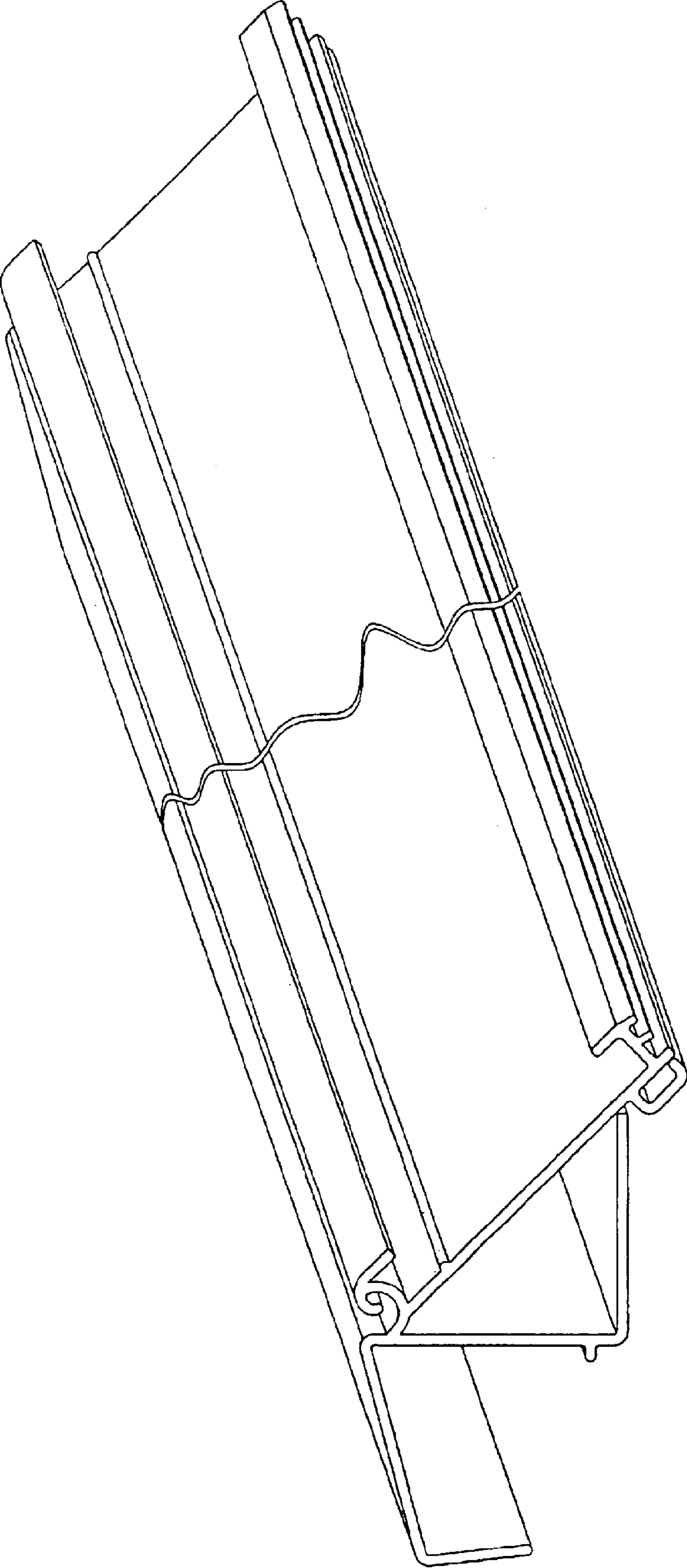


FIG. 2

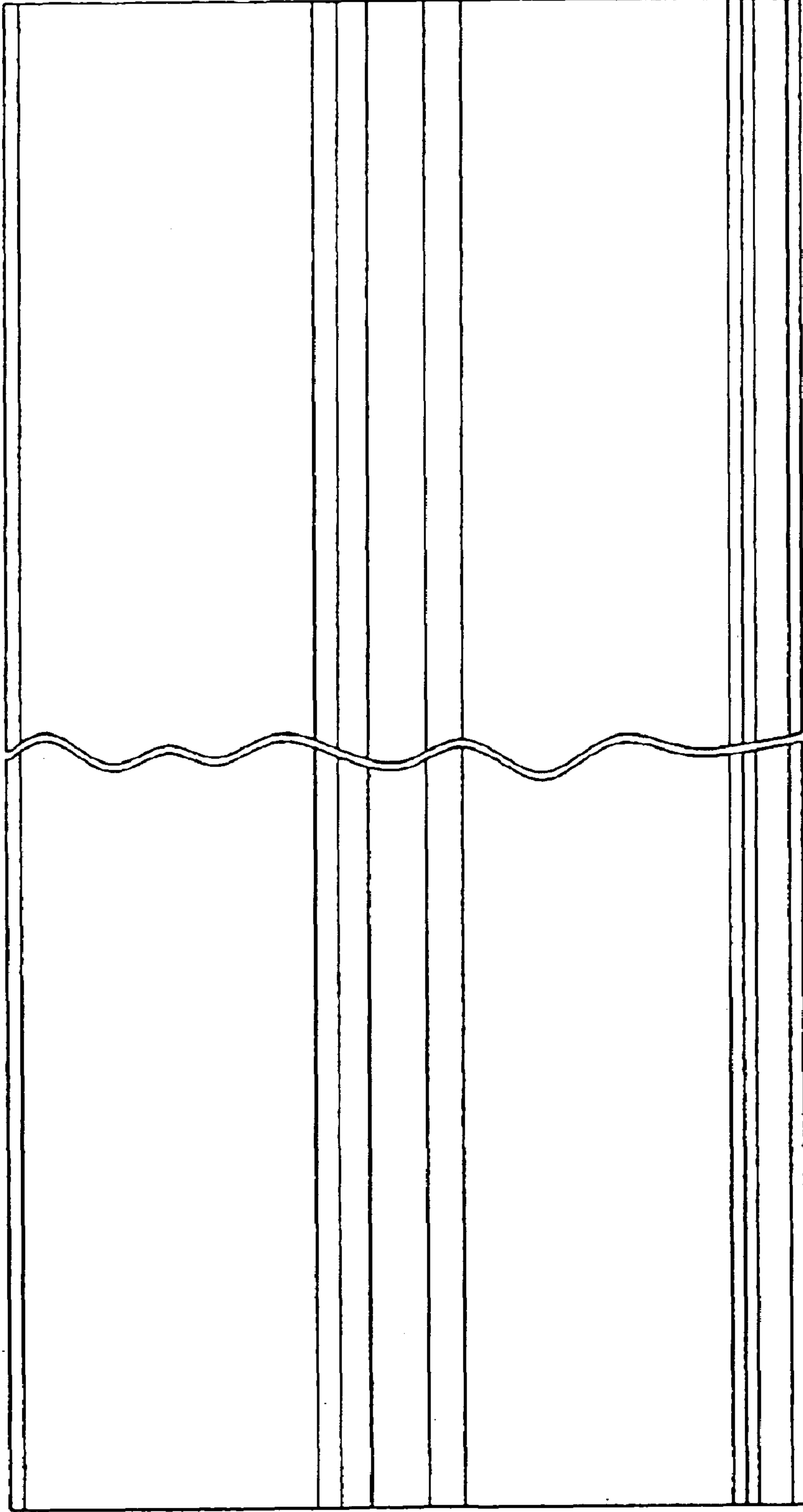


FIG. 3

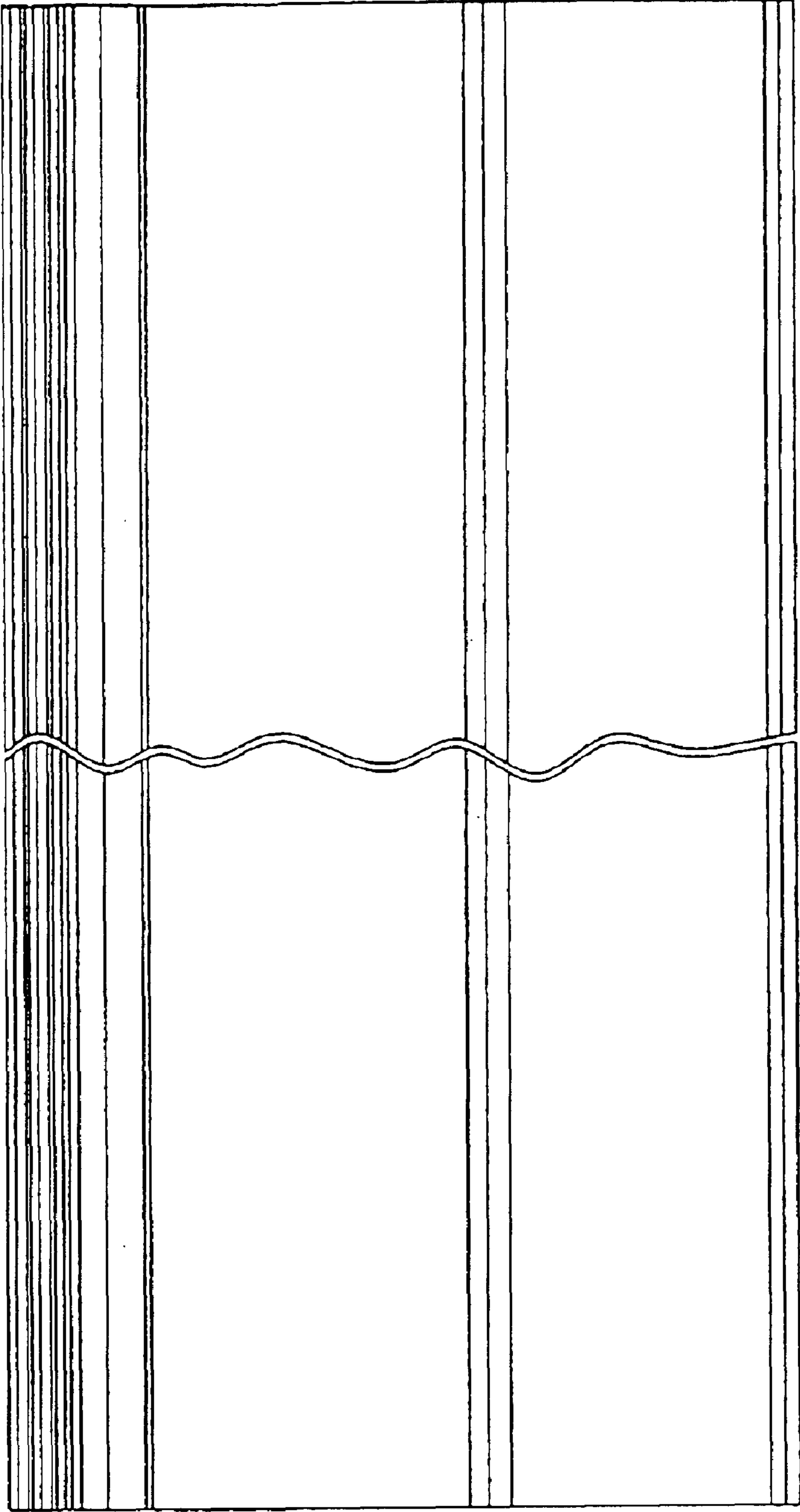


FIG. 4

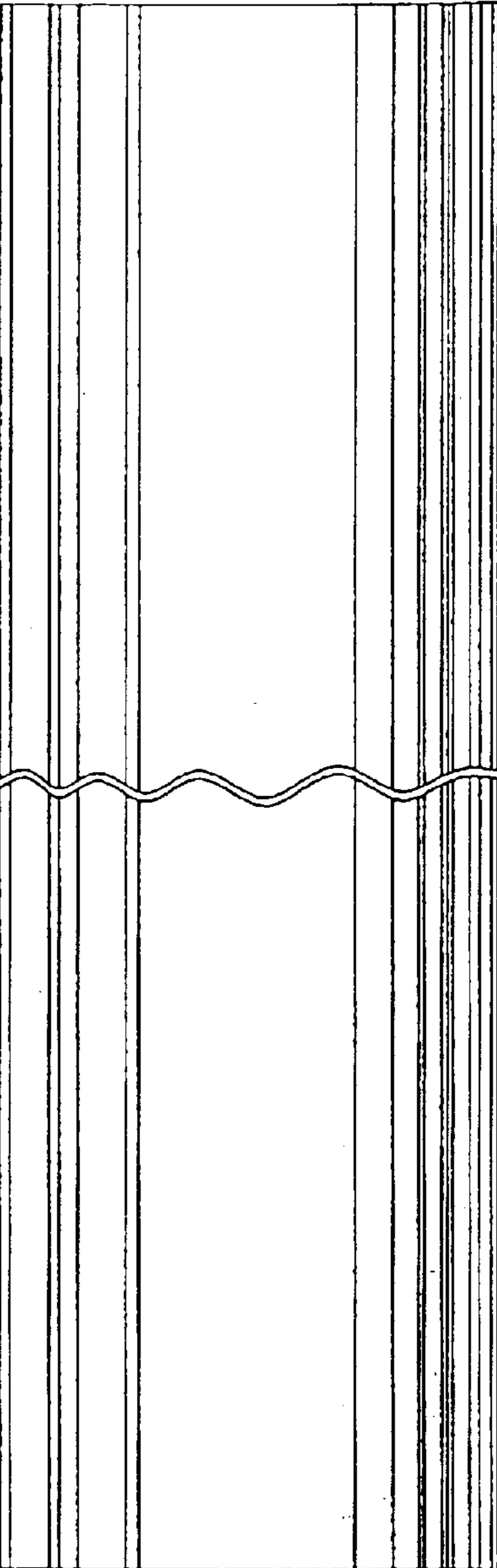


FIG. 5

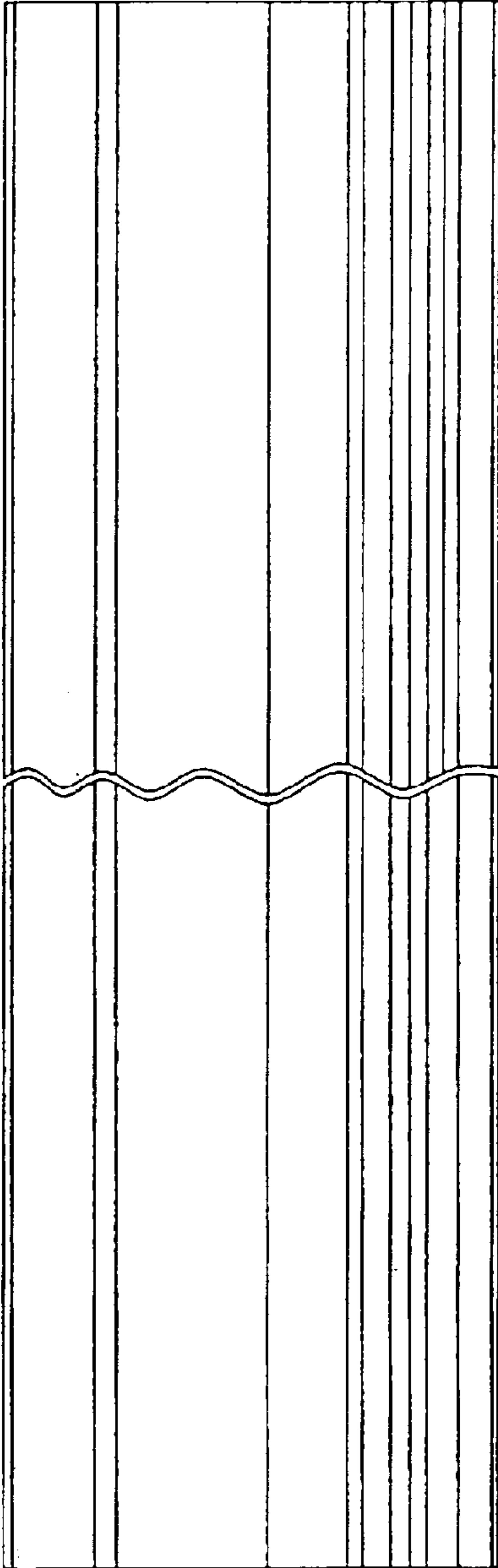


FIG. 6

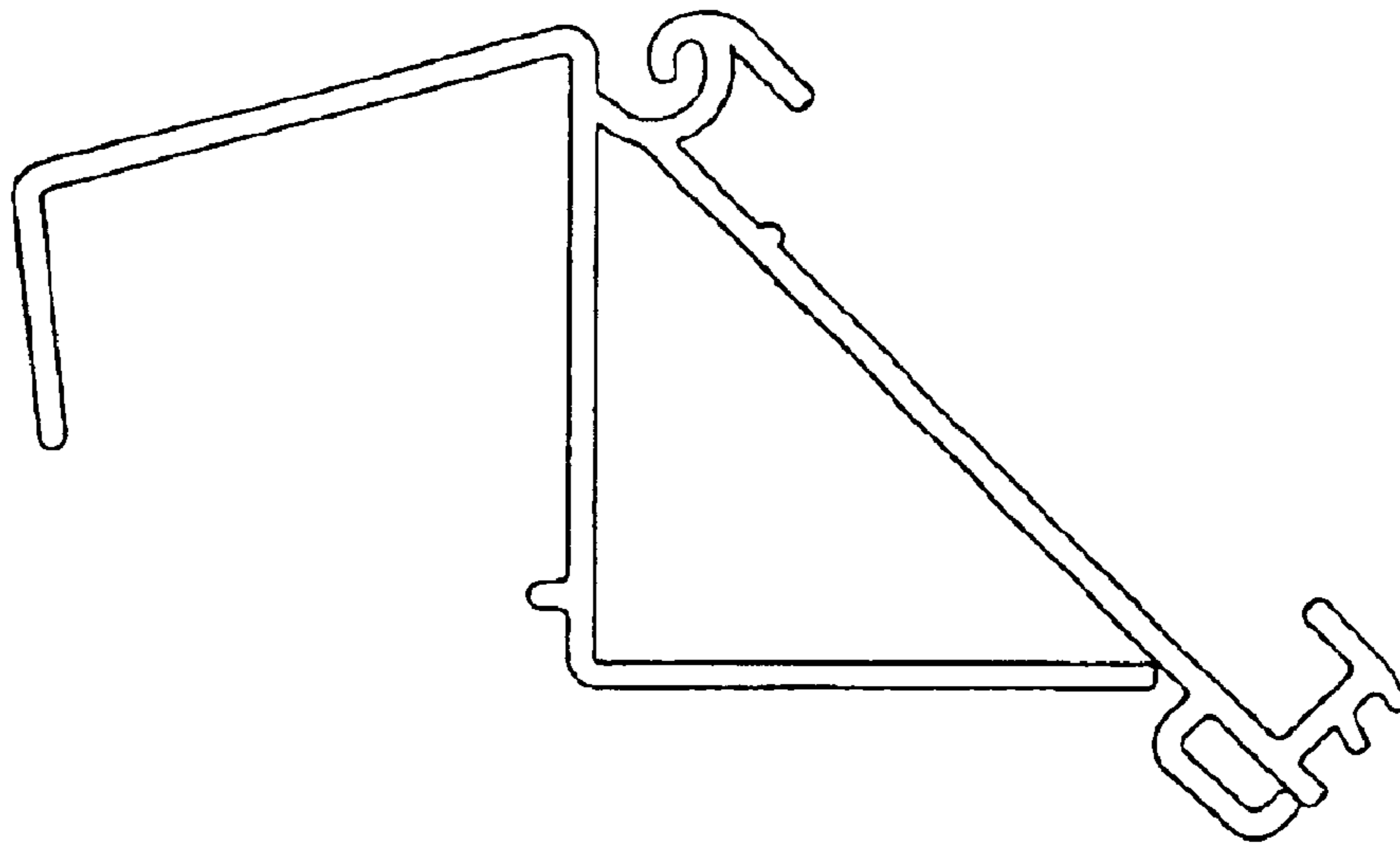


FIG. 7

