



US00D510602S

(12) **United States Design Patent**
Wasilko

(10) **Patent No.: US D510,602 S**

(45) **Date of Patent: ** Oct. 11, 2005**

(54) **LABEL HOLDER WITH CLIP**
(75) Inventor: **George J. Wasilko**, Brunswick, OH (US)
(73) Assignee: **Fasteners For Retail, Inc.**, Cleveland, OH (US)
(**) Term: **14 Years**

5,967,343 A 10/1999 Dufresne
6,026,603 A 2/2000 Kump et al.
D425,566 S 5/2000 Mueller et al.
6,263,603 B1 7/2001 Wildrick
6,266,906 B1 7/2001 Nagel
6,269,571 B1 * 8/2001 Thalenfeld 40/642.01
D447,518 S * 9/2001 Lau D20/43
6,357,154 B1 * 3/2002 Pfindler et al. 40/661.03
6,553,702 B1 4/2003 Bacnik
D485,582 S * 1/2004 Valiulis D20/44

(21) Appl. No.: **29/198,424**

(22) Filed: **Jan. 29, 2004**

(51) **LOC (8) Cl.** **20-03**

(52) **U.S. Cl.** **D20/44**

(58) **Field of Search** D6/410; D8/300,
D8/315, 316, 373; D20/10, 43, 44, 99;
40/316, 603, 617, 642.01, 642.02, 649,
650, 653, 654.01, 661, 661.03, 661.05

(56) **References Cited**

U.S. PATENT DOCUMENTS

D199,020 S * 9/1964 Bedder D20/43
3,320,690 A 5/1967 Forsburg
3,337,977 A 8/1967 Sobesky
D225,208 S * 11/1972 Miller D20/44
4,556,183 A 12/1985 Greenberger
4,557,064 A 12/1985 Thompson
5,197,215 A 3/1993 Torsleff
5,392,547 A 2/1995 Mason
5,456,034 A 10/1995 Lewis et al.
5,488,793 A 2/1996 Gebka et al.
5,509,634 A 4/1996 Gebka et al.
5,515,632 A 5/1996 Gebka et al.
5,941,003 A 8/1999 Thalenfeld

OTHER PUBLICATIONS

FFR Yellow Pages® 2002 Product Catalog, Front Cover, pp. 77 and 89.

* cited by examiner

Primary Examiner—Robert M. Spear
(74) *Attorney, Agent, or Firm*—Fay, Sharpe, Fagan, Minnich & McKee, LLP

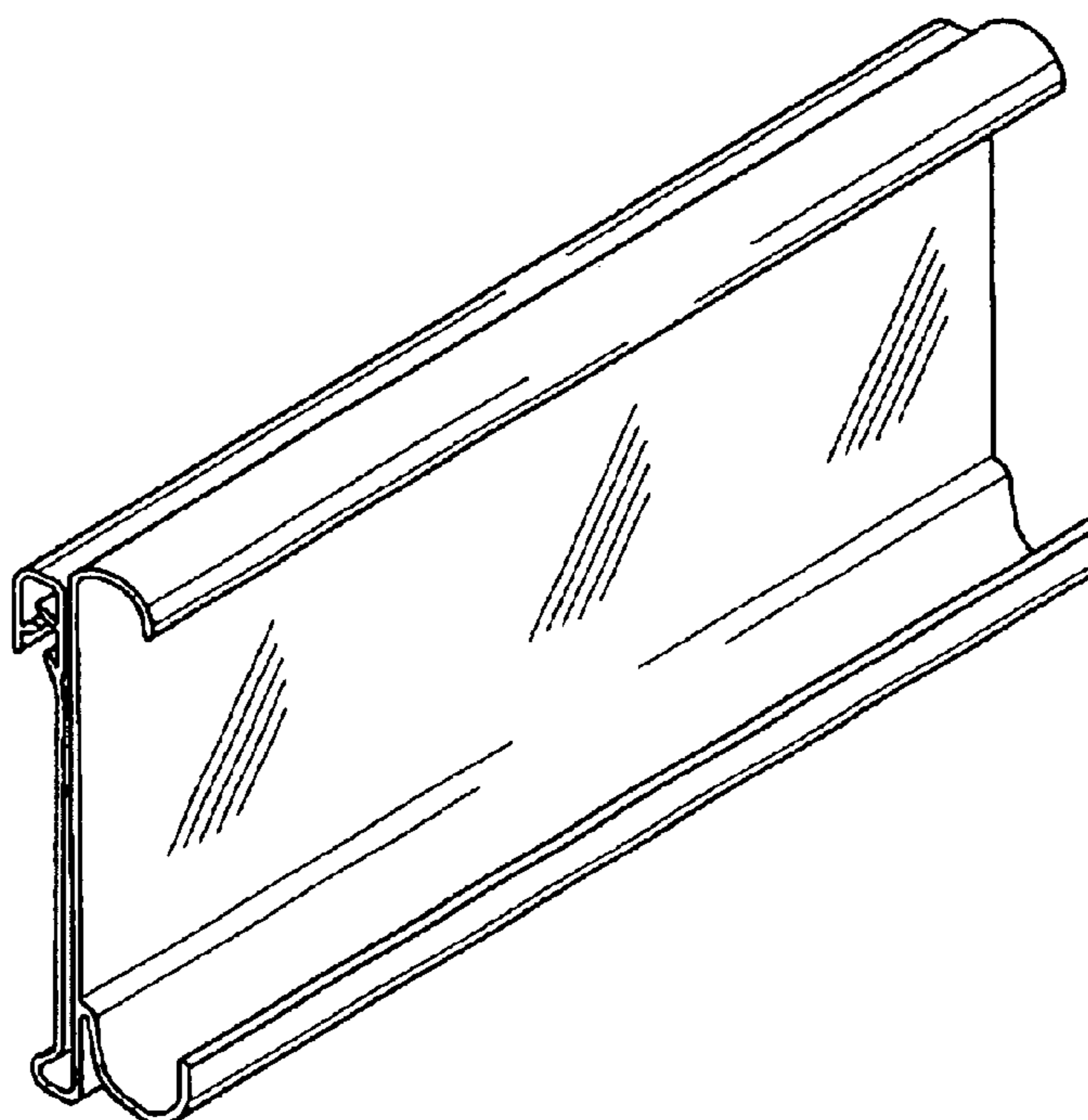
(57) **CLAIM**

The ornamental design for a label holder with clip, as shown and described.

DESCRIPTION

FIG. 1 is a rear perspective view of a label holder with clip showing my new design;
FIG. 2 is a right side elevational view thereof;
FIG. 3 is a rear elevational view thereof;
FIG. 4 is a top plan view thereof;
FIG. 5 is a left side elevational view thereof;
FIG. 6 is a front elevational view thereof; and,
FIG. 7 is a bottom plan view thereof.

1 Claim, 2 Drawing Sheets



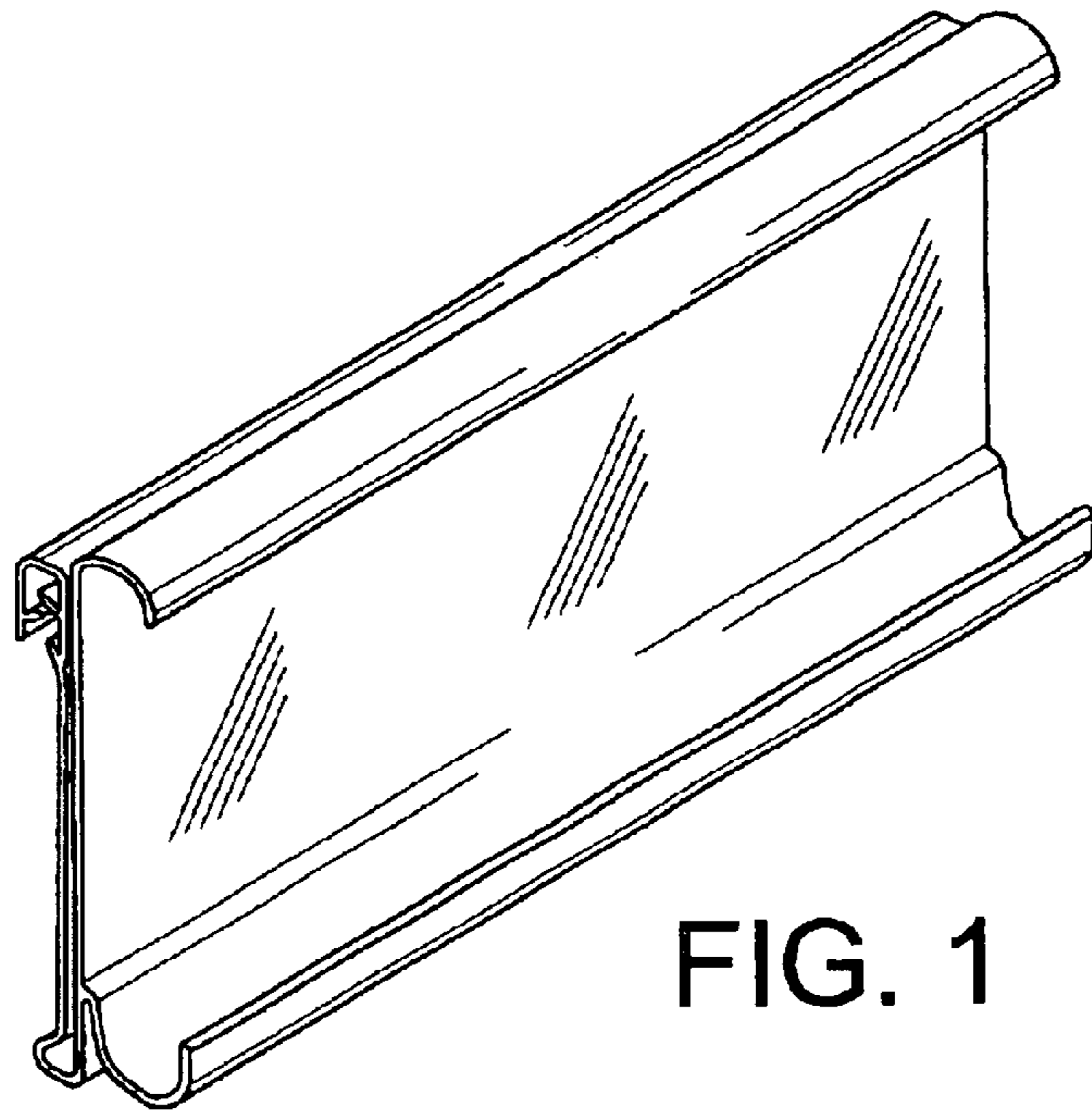


FIG. 1

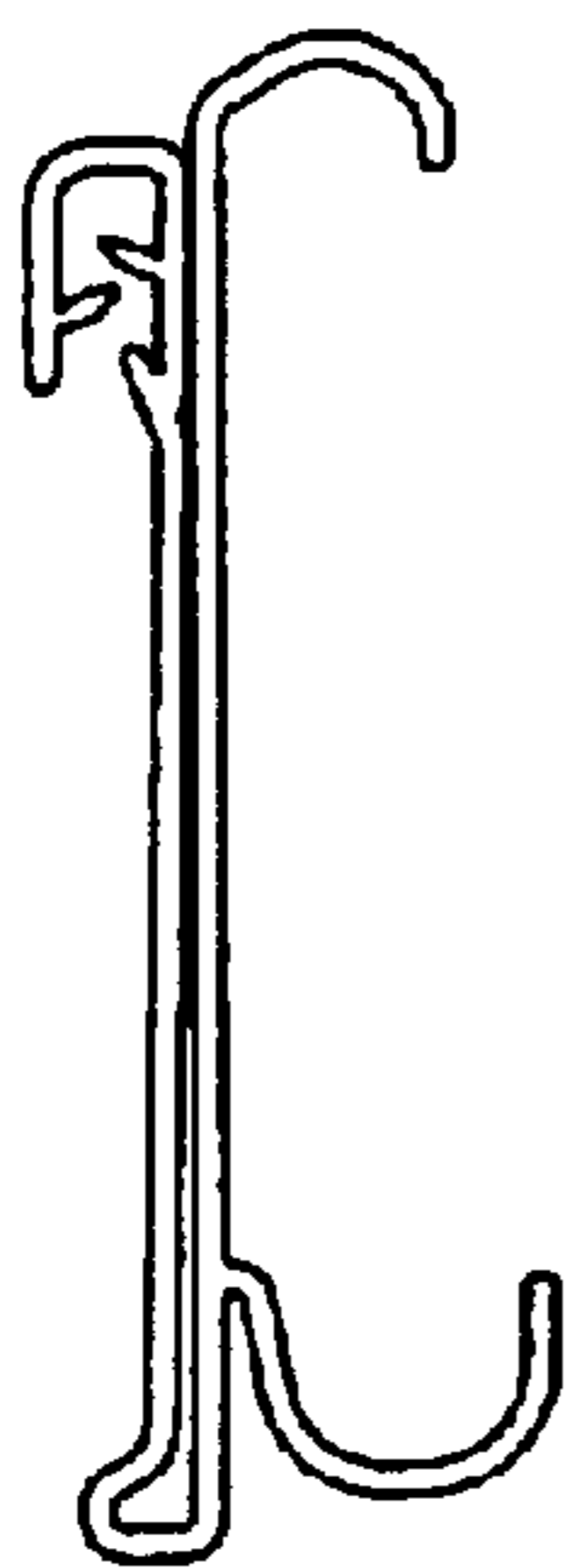


FIG. 2

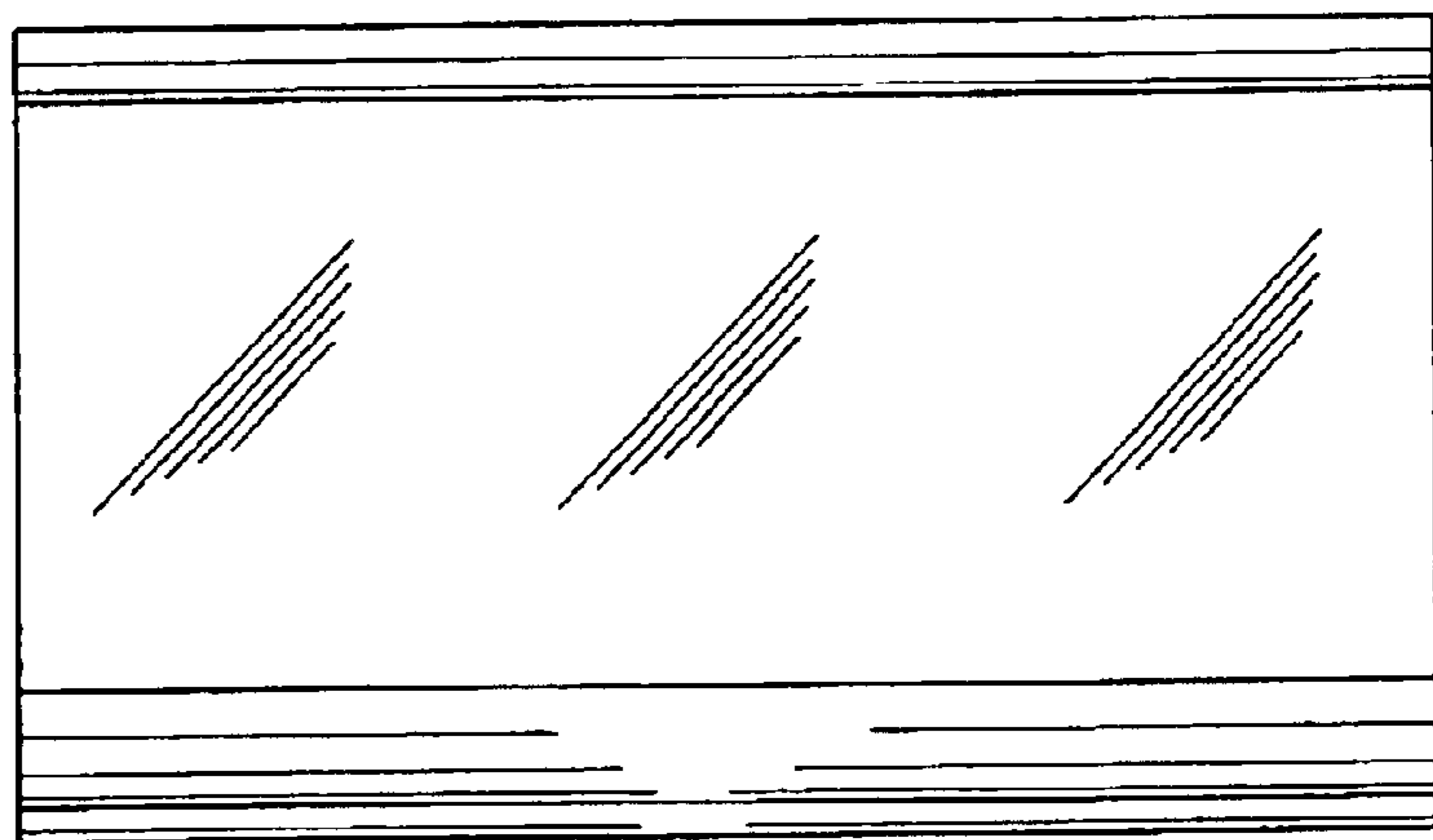


FIG. 3

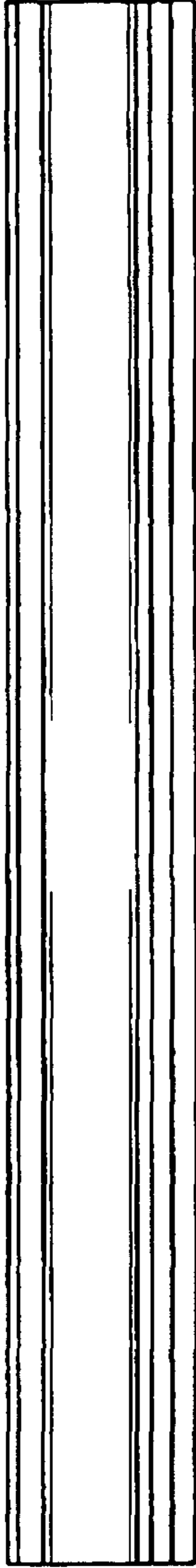


FIG. 4

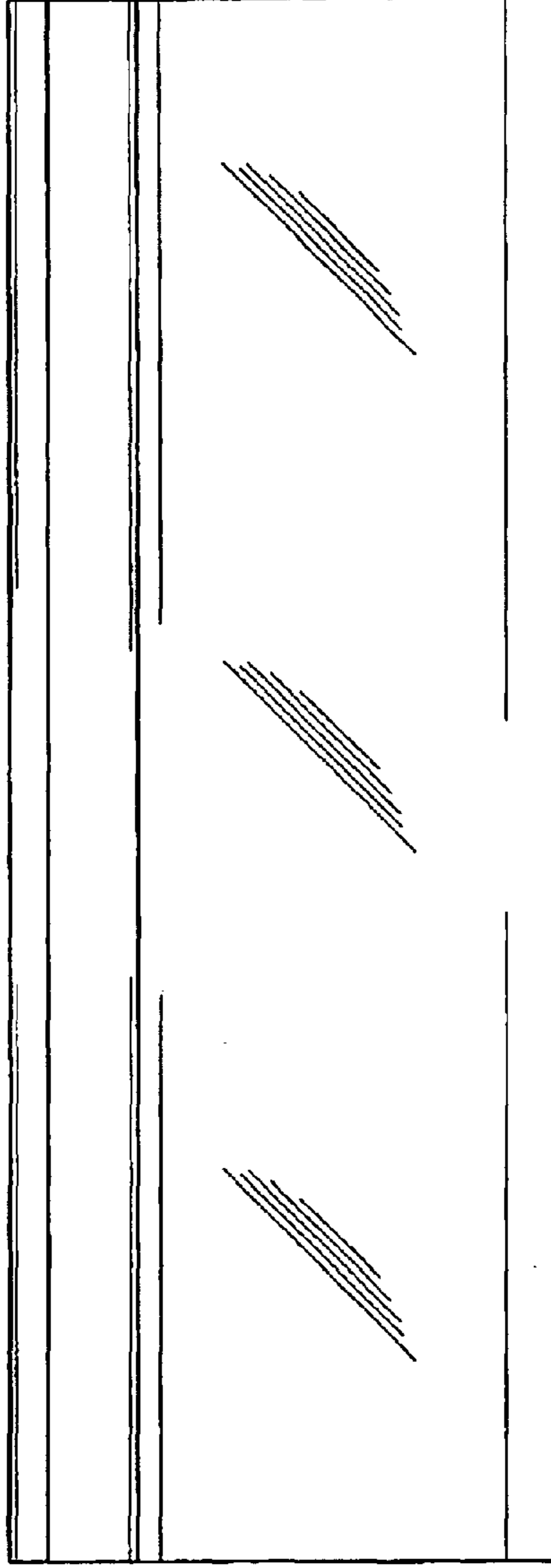


FIG. 6



FIG. 7

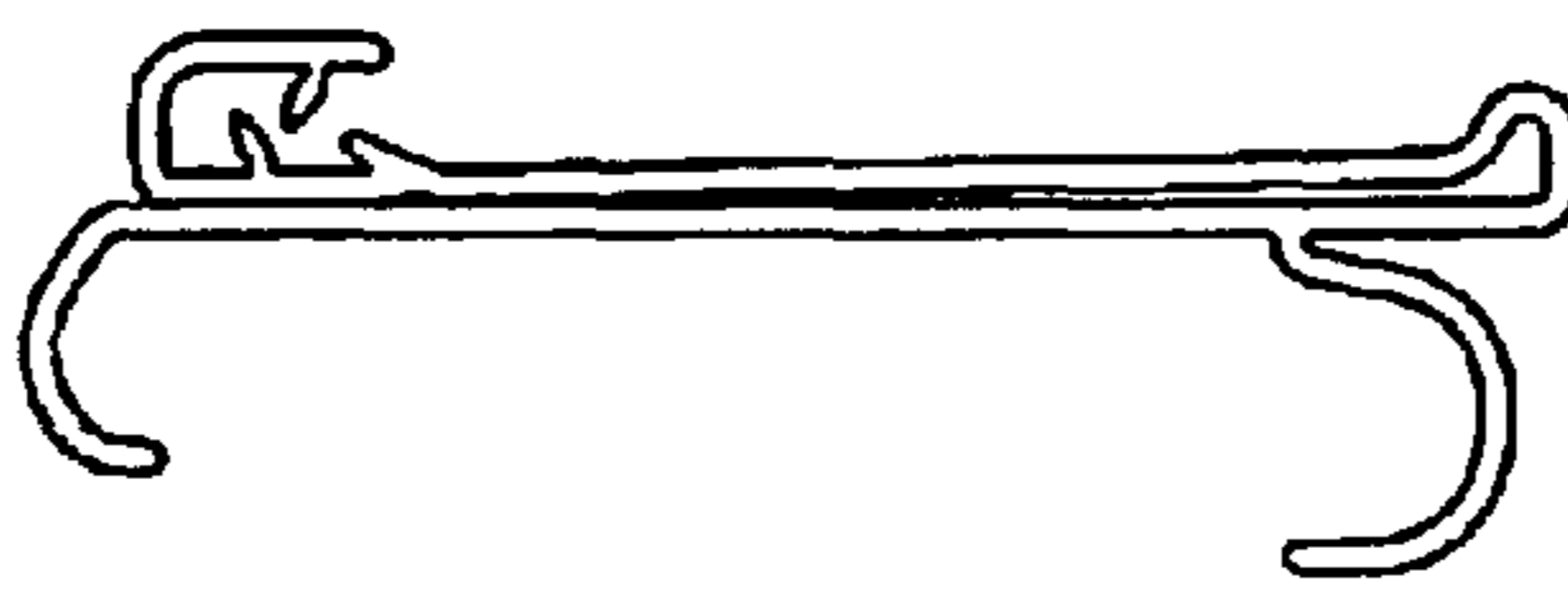


FIG. 5