

US00D510600S

(12) **United States Design Patent**
Benn

(10) **Patent No.: US D510,600 S**
(45) **Date of Patent: ** Oct. 11, 2005**

- (54) **LETTER FILE**
- (75) **Inventor: Alexander Benn, Stuttgart (DE)**
- (73) **Assignee: Smead Manufacturing Company, Hastings, MN (US)**
- (**) **Term: 14 Years**
- (21) **Appl. No.: 29/195,371**
- (22) **Filed: Dec. 9, 2003**
- (51) **LOC (8) Cl. 19-02**
- (52) **U.S. Cl. D19/90; D19/78**
- (58) **Field of Search D19/65, 75, 77, D19/78, 86, 90, 91, 95, 99, 100; 211/10, 11, 13.1, 42.1, 45, 50, 42.12, 55, 126.1, 126.13; 312/183, 184, 290**

- D215,897 S * 11/1969 Aydelotte D19/90
- 4,974,733 A * 12/1990 Evans 211/11
- D439,279 S * 3/2001 McColskey et al. D19/90
- 6,227,384 B1 * 5/2001 Saylor et al. 211/50
- D478,354 S * 8/2003 Chen D19/90

* cited by examiner

Primary Examiner—Martie K. Holtje
(74) *Attorney, Agent, or Firm*—Altera Law Group, LLC

(57) **CLAIM**

The ornamental design for letter file, as shown and described.

DESCRIPTION

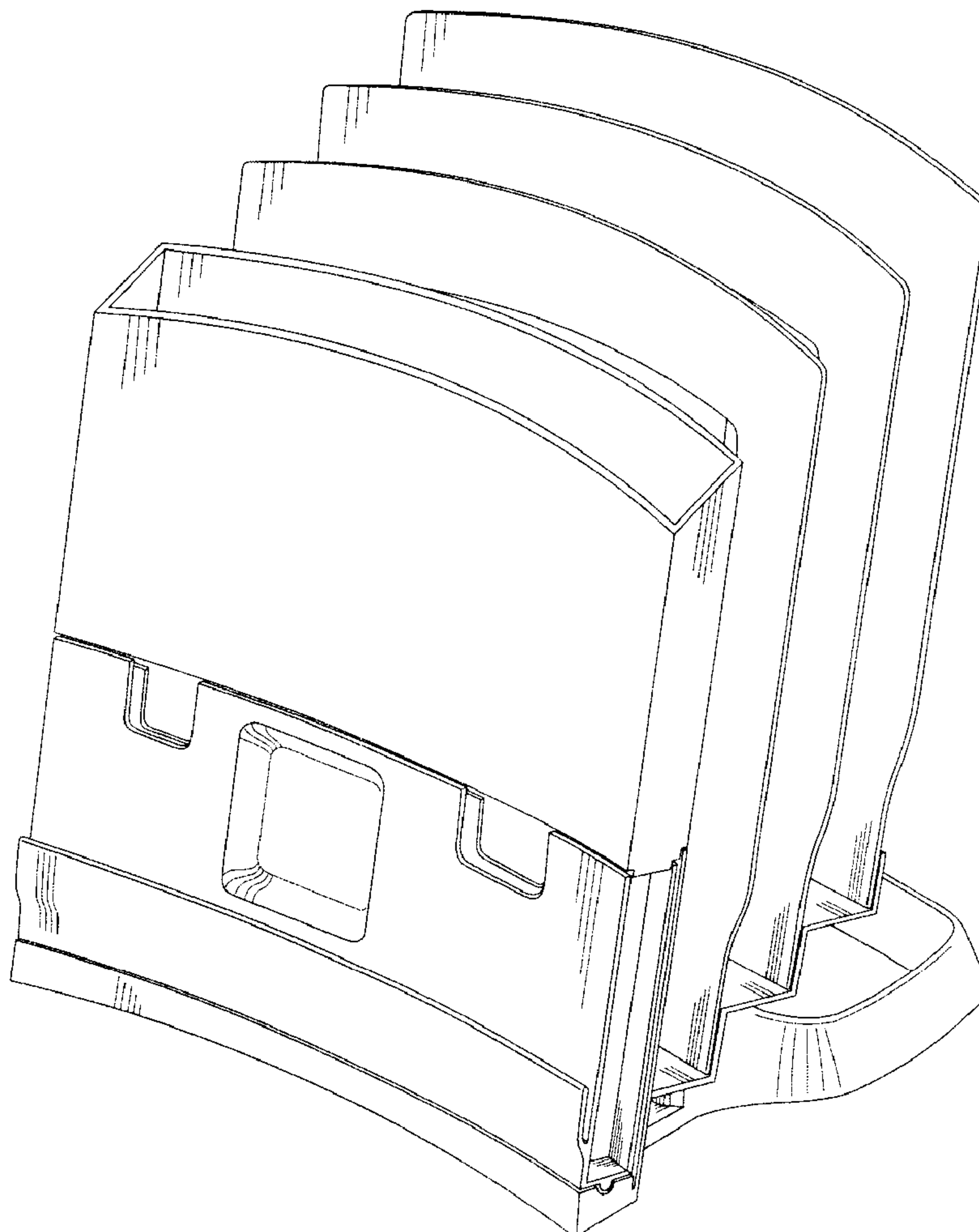
- FIG. 1 is a perspective view of the letter file.
- FIG. 2 is a front view thereof.
- FIG. 3 is a back perspective view thereof.
- FIG. 4 is a side view thereof.
- FIG. 5 is a top view thereof; and,
- FIG. 6 is a side/back perspective view thereof.

(56) **References Cited**

U.S. PATENT DOCUMENTS

- 1,415,110 A * 5/1922 Pearl 211/11
- 1,449,195 A * 3/1923 Ross 211/11

1 Claim, 6 Drawing Sheets



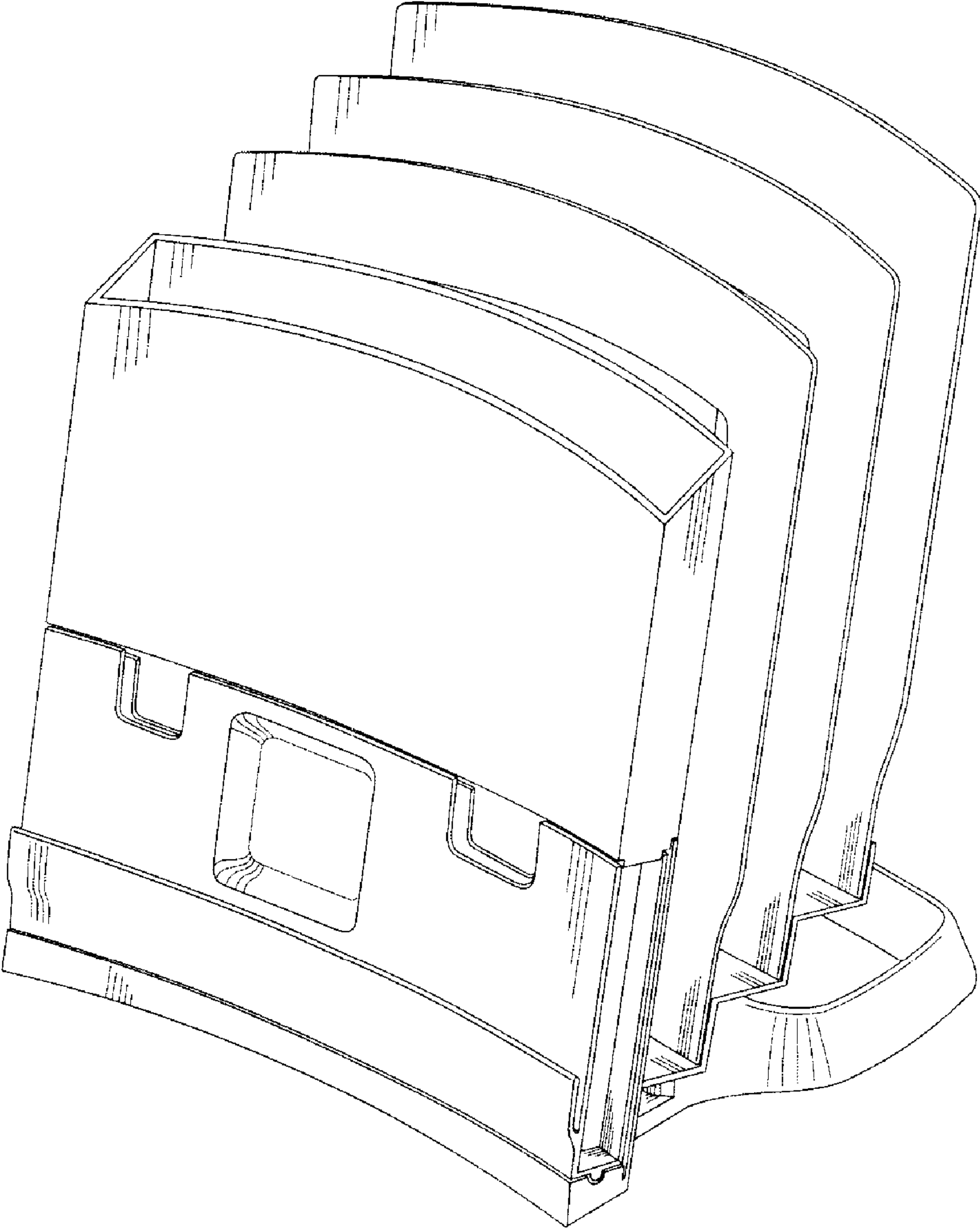


Figure 1

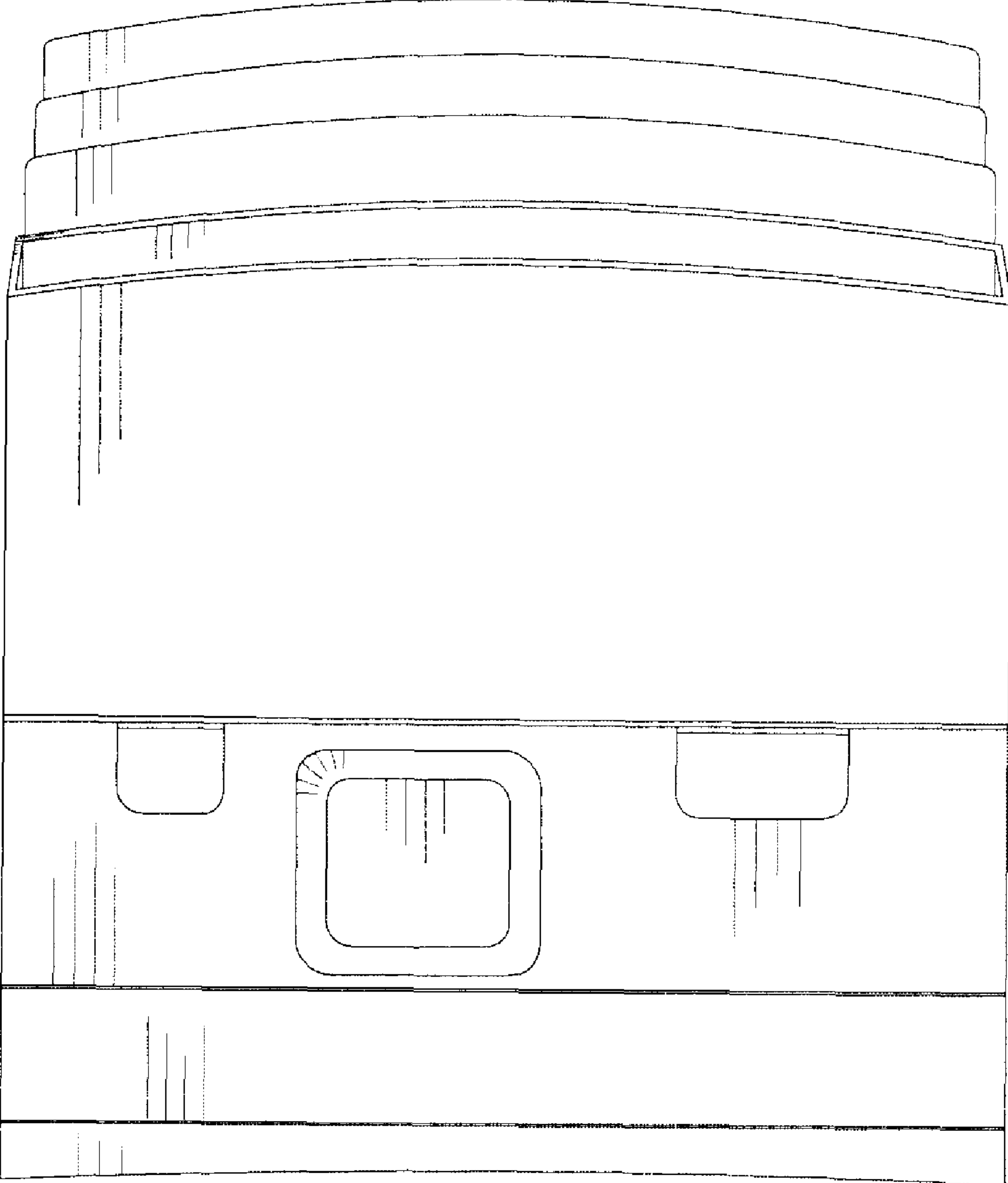


Figure 2

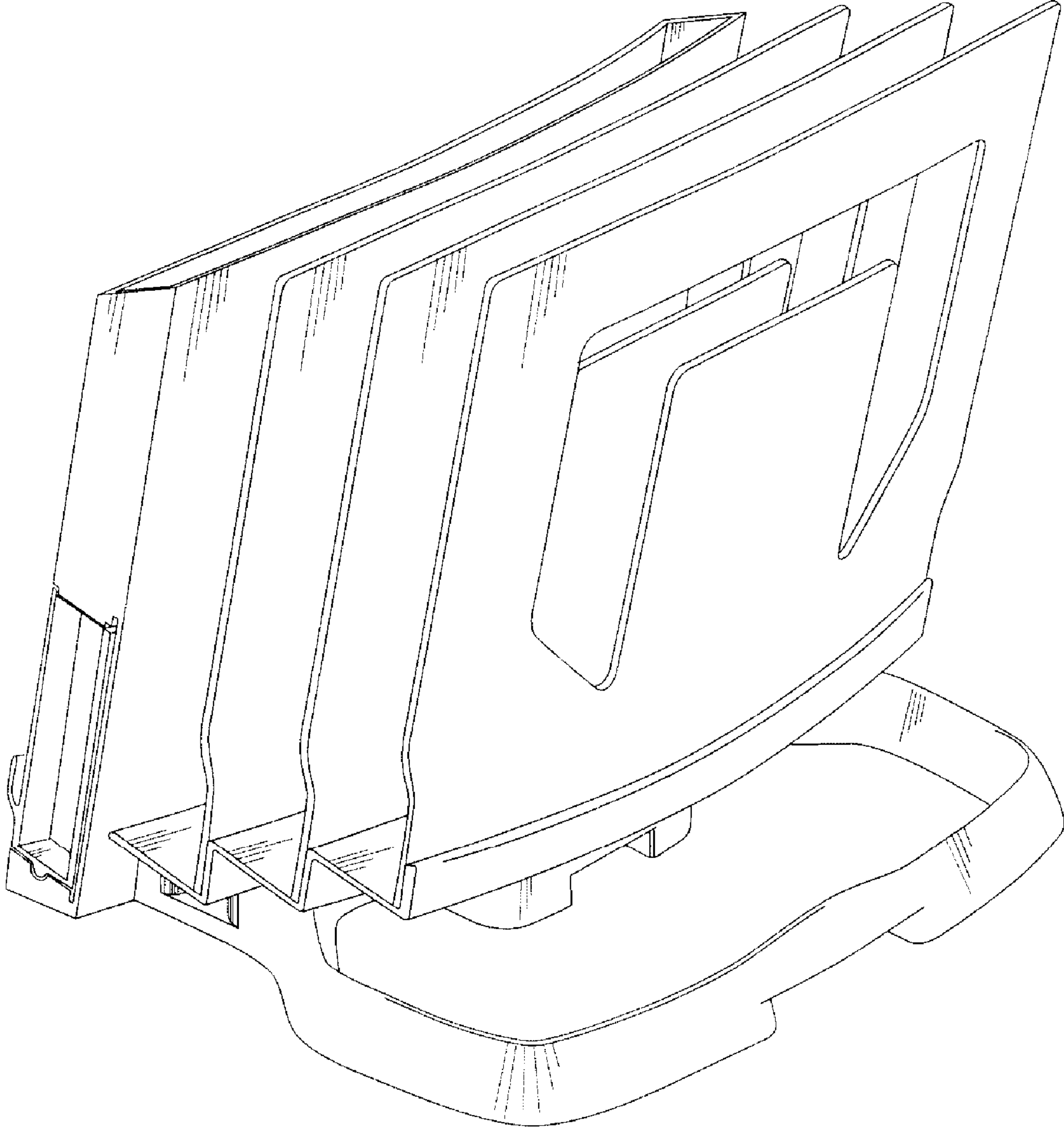


Figure 3

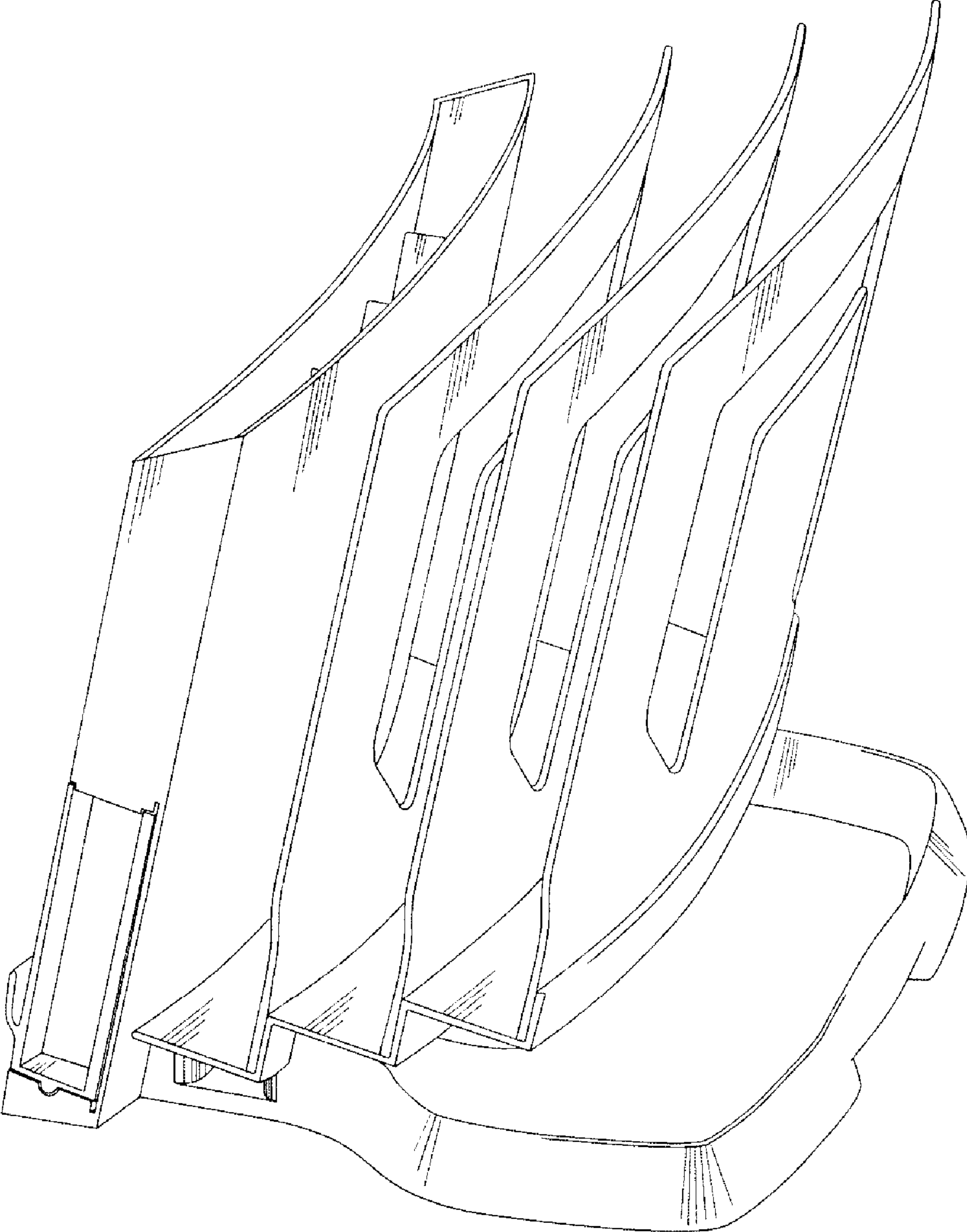


Figure 4

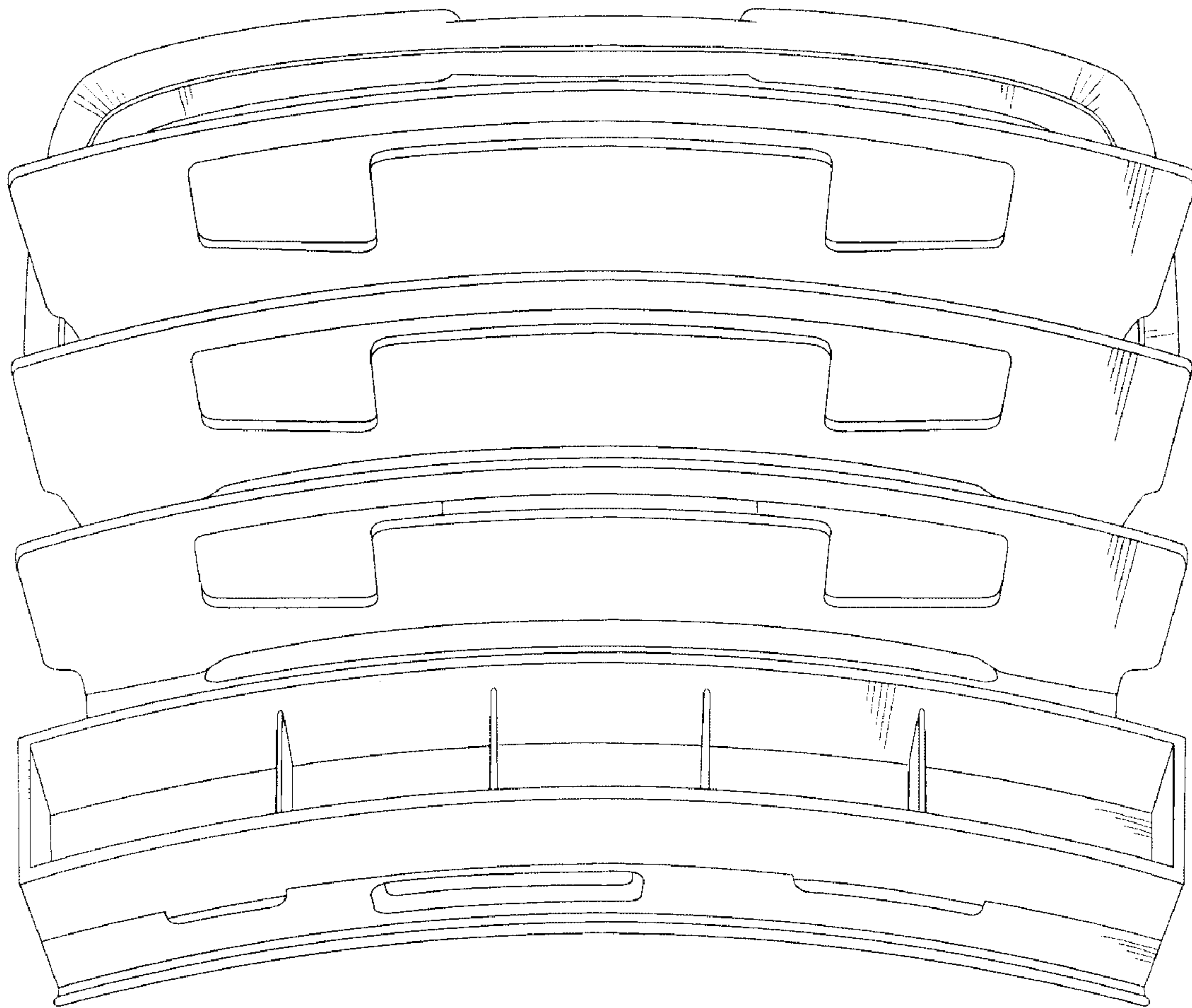


Figure 5

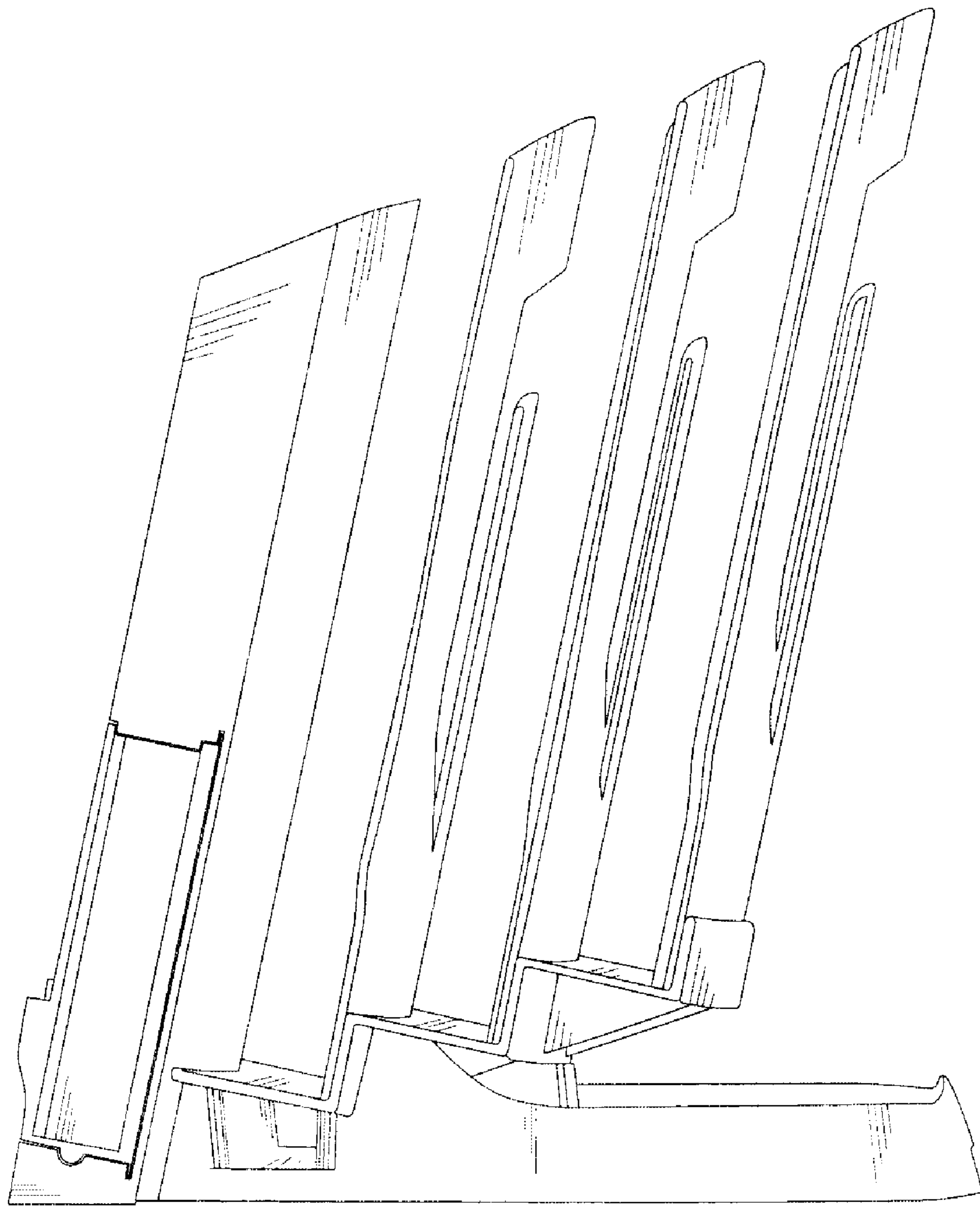


Figure 6