



US00D510595S

(12) **United States Design Patent**
Cook, Jr.

(10) **Patent No.: US D510,595 S**
(45) **Date of Patent: ** Oct. 11, 2005**

(54) **CREDIT CARD WITH INTERNAL
ROTATABLE STORAGE MEMBER
ACCESSIBLE FROM THE SURFACE OF THE
CARD**

(75) Inventor: **Bert D. Cook, Jr.**, Morgan Hill, CA
(US)

(73) Assignee: **UltraCard, Inc.**, Los Gatos, CA (US)

(**) Term: **14 Years**

(21) Appl. No.: **29/222,379**

(22) Filed: **Jan. 27, 2005**

Related U.S. Application Data

(63) Continuation of application No. 29/152,432, filed on Dec. 14, 2001, now abandoned.

(51) **LOC (8) Cl.** **19-08**

(52) **U.S. Cl.** **D19/9**

(58) **Field of Search** D19/9, 10; D14/435,
D14/436, 437, 438, 479; 40/625; 235/380,
382, 449, 454, 487, 488, 489, 490, 491,
492, 493; 283/74, 75, 82, 107, 111, 904;
360/2; 428/916

(56) **References Cited**

U.S. PATENT DOCUMENTS

2,545,804 A * 3/1951 Butler 283/107
3,753,255 A * 8/1973 Di Veto 360/2

4,100,689 A * 7/1978 Broune 283/73
4,413,298 A * 11/1983 Pecsok et al. 360/133
4,868,373 A * 9/1989 Opheij et al. 235/380
D305,887 S * 2/1990 Nishimura D14/436
5,595,798 A * 1/1997 Miller 428/35.2
6,031,464 A * 2/2000 Matsumoto et al. 340/5.86
6,616,052 B2 * 9/2003 Tseng et al. 235/487
6,832,730 B2 * 12/2004 Conner et al. 235/487
2003/0024995 A1 * 2/2003 Conner et al. 235/492
2004/0056090 A1 * 3/2004 Saito et al. 235/382

* cited by examiner

Primary Examiner—Jeffrey Asch

Assistant Examiner—Elizabeth Albert

(74) *Attorney, Agent, or Firm*—Bever, Hoffman & Harms,
LLP; Patrick T. Bever

(57) **CLAIM**

The ornamental design for a credit card with internal rotatable storage member accessible from the surface of the card, as shown and described.

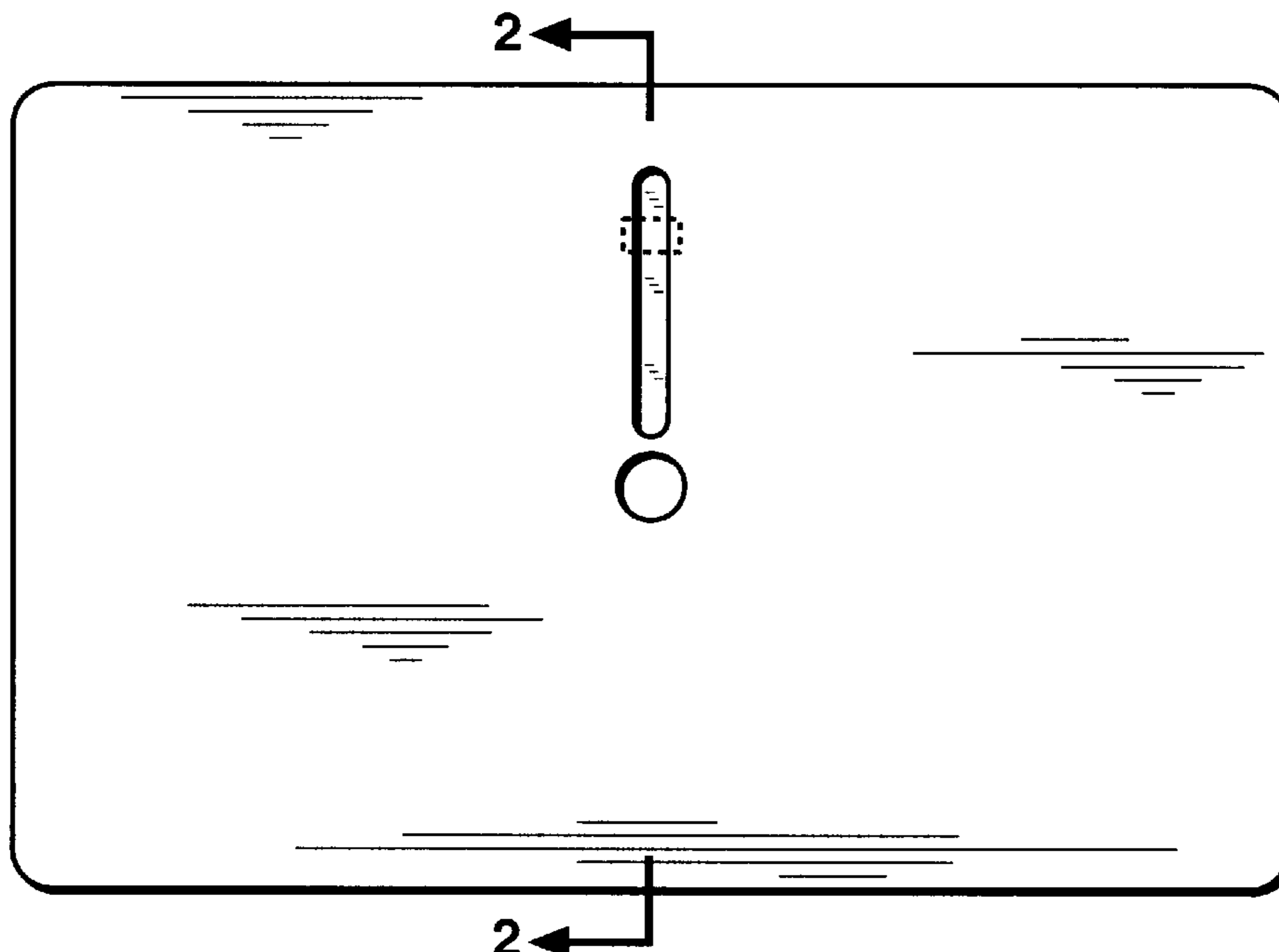
DESCRIPTION

FIG. 1 is a top plan view of a credit card with internal rotatable storage member accessible from the surface of the card; and,

FIG. 2 is a cross-sectional view thereof taken along the line 2—2 in FIG. 1.

The broken lines showing environmental structure in the drawings are for illustrative purposes only and form no part of the claimed design.

1 Claim, 1 Drawing Sheet



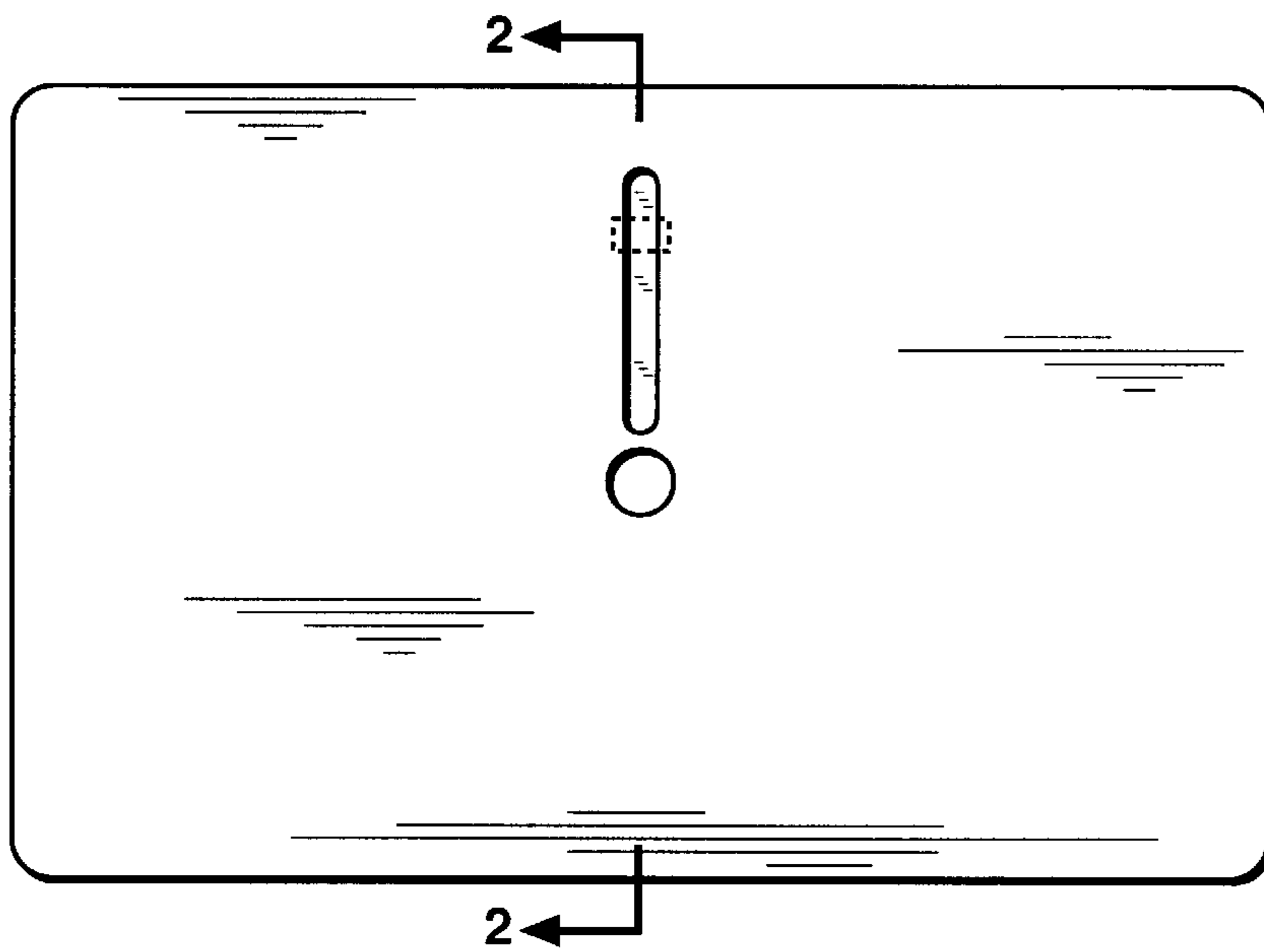


FIG._1



FIG._2