



US00D510594S

(12) **United States Design Patent**  
**Hirashima**

(10) **Patent No.: US D510,594 S**

(45) **Date of Patent: \*\* Oct. 11, 2005**

(54) **HEAD CARTRIDGE**

(75) **Inventor: Shigeyoshi Hirashima, Tokyo (JP)**

(73) **Assignee: Sony Corporation, Tokyo (JP)**

(\*\*) **Term: 14 Years**

(21) **Appl. No.: 29/195,407**

(22) **Filed: Dec. 12, 2003**

(51) **LOC (8) Cl. .... 18-02**

(52) **U.S. Cl. .... D18/56; D18/40**

(58) **Field of Search .... D18/40, 43, 56;**  
347/88, 99; 106/31.29, 31.61; D21/499;  
D24/101-102

(56) **References Cited**

**U.S. PATENT DOCUMENTS**

D375,975 S	*	11/1996	Koizumi et al. ....	D18/56
D401,616 S	*	11/1998	Miyazawa .....	D18/40
D401,617 S	*	11/1998	Miyazawa .....	D18/40
D402,686 S	*	12/1998	Miyazawa .....	D18/40
D423,043 S	*	4/2000	Ishigami et al. ....	D18/56
D423,567 S	*	4/2000	Ishigami et al. ....	D18/56

D464,370 S	*	10/2002	Kunihiro et al. ....	D18/43
D474,497 S	*	5/2003	Kawai et al. ....	D18/40
D487,108 S	*	2/2004	Morita et al. ....	D18/40
D489,753 S	*	5/2004	Batori et al. ....	D18/40
D502,730 S	*	3/2005	Miyagawa .....	D18/40

\* cited by examiner

*Primary Examiner*—Cathy Anne MacCormac

(74) *Attorney, Agent, or Firm*—Rader, Fishman & Grauer PLLC

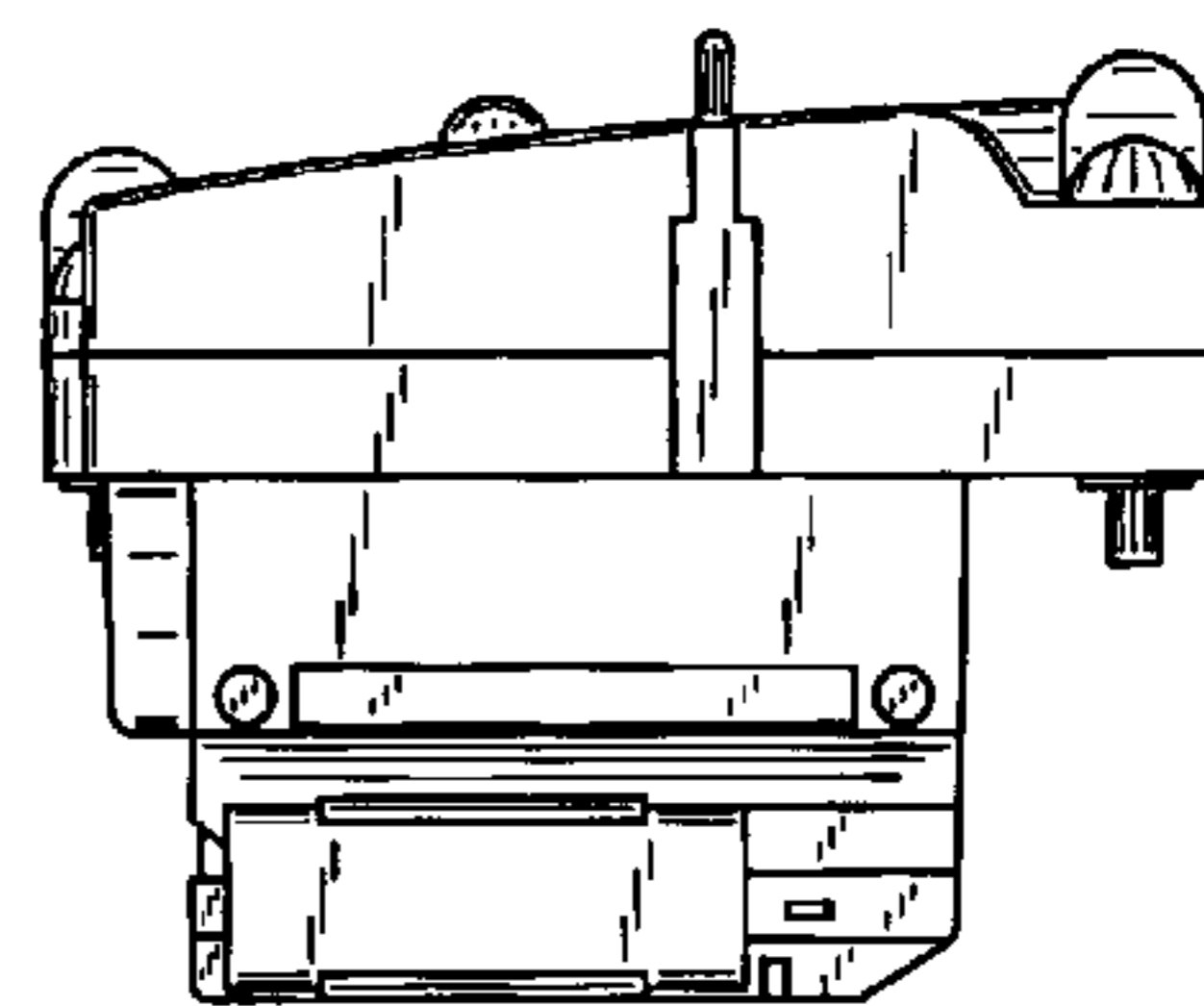
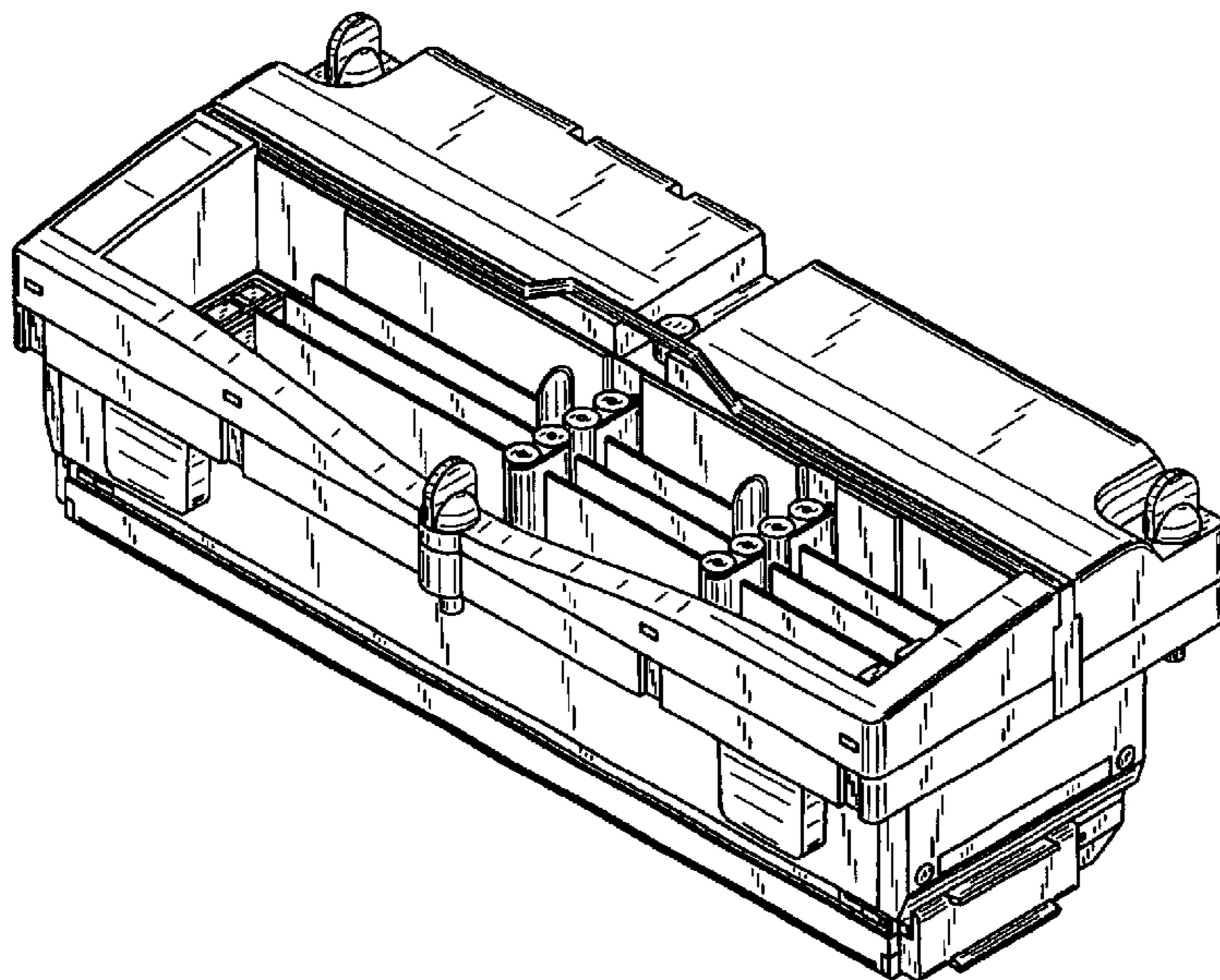
(57) **CLAIM**

The ornamental design for a head cartridge, as shown.

**DESCRIPTION**

FIG. 1 is a perspective view of a head cartridge showing my new design;  
FIG. 2 is a front elevational view thereof;  
FIG. 3 is a rear elevational view thereof;  
FIG. 4 is a left side elevational view thereof;  
FIG. 5 is a right side elevational view thereof;  
FIG. 6 is a top plan view thereof; and,  
FIG. 7 is a bottom plan view thereof.

**1 Claim, 4 Drawing Sheets**



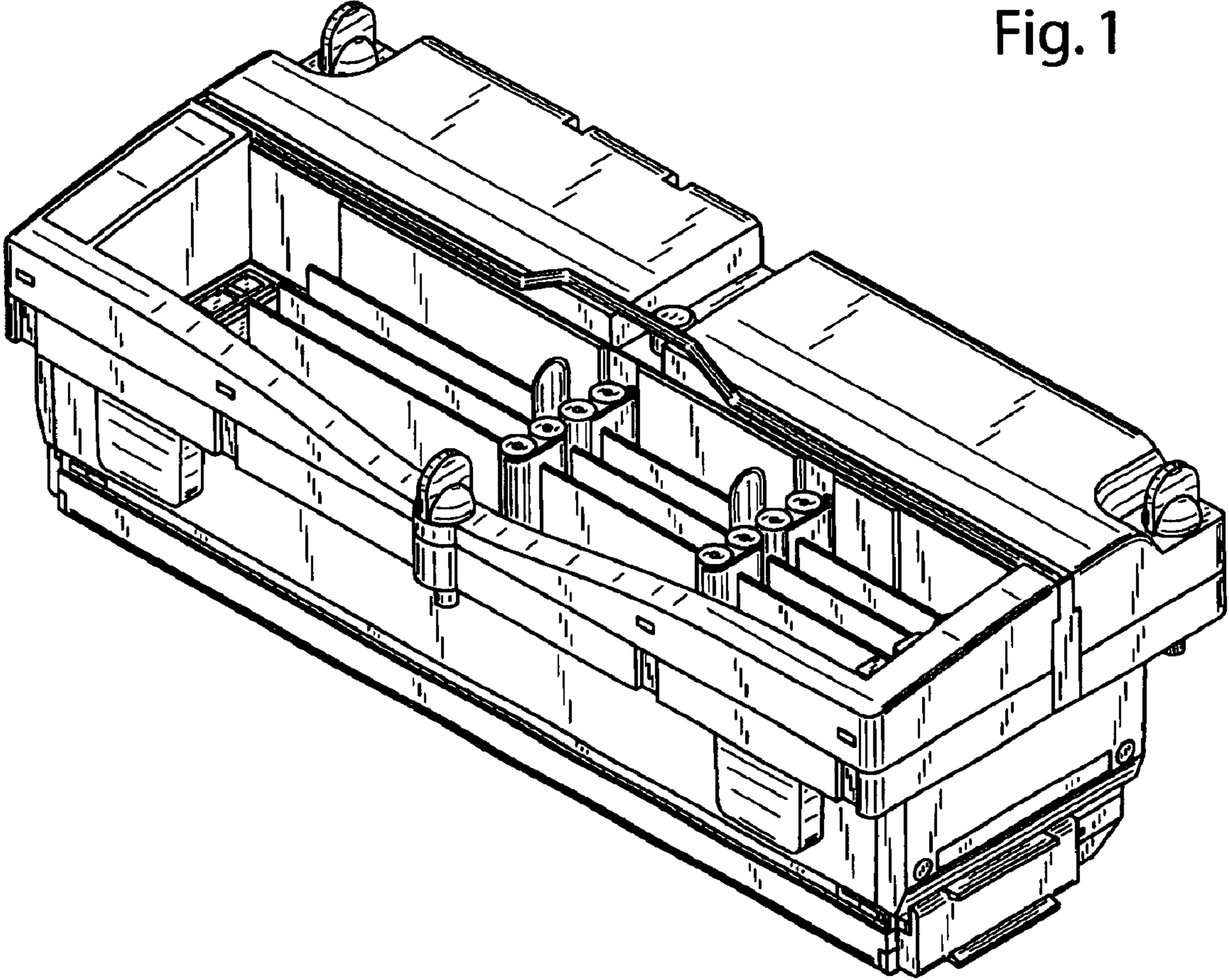


Fig. 1

Fig. 2

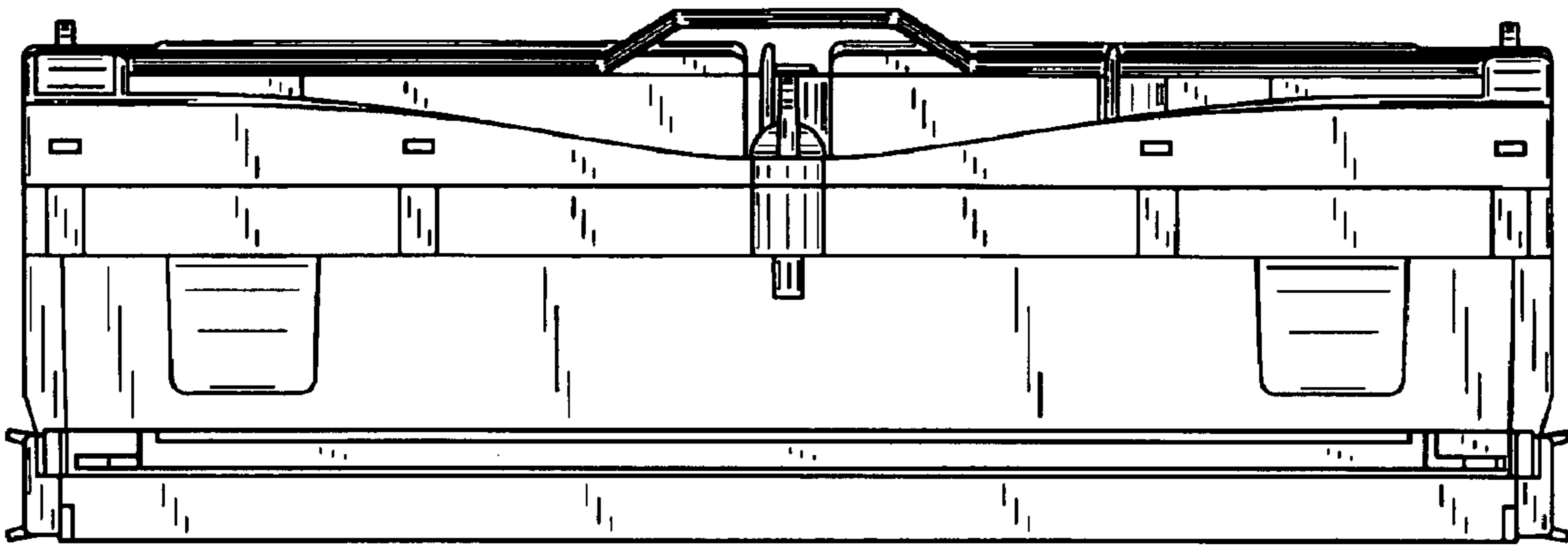
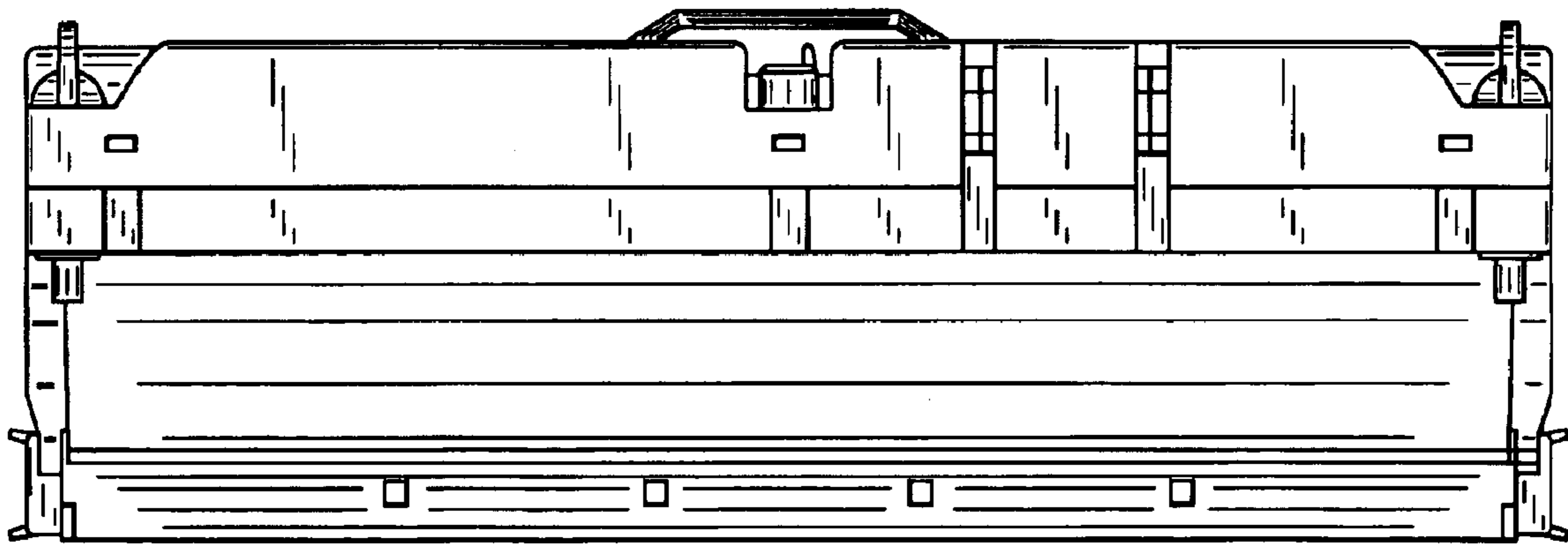


Fig. 3



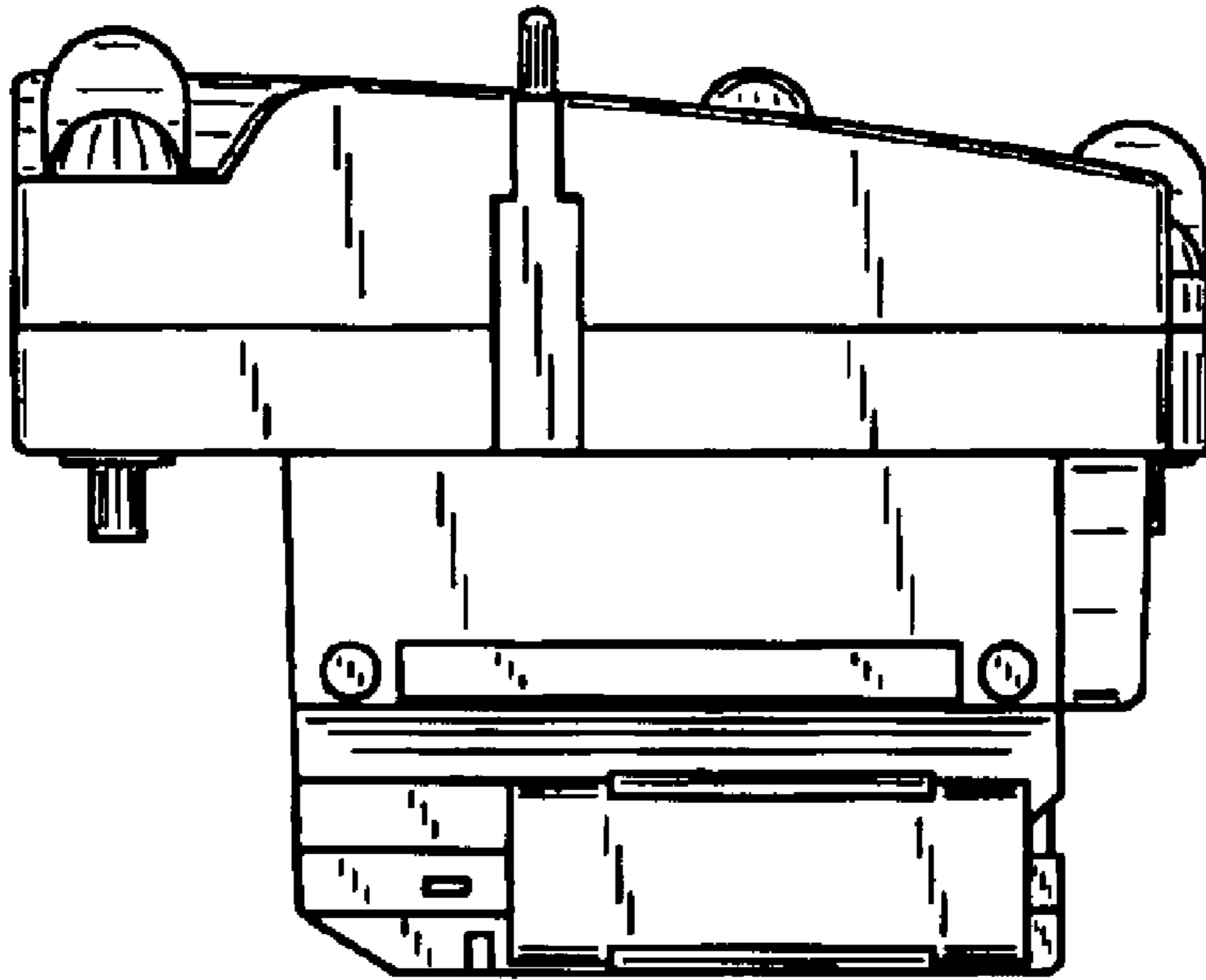


Fig. 4

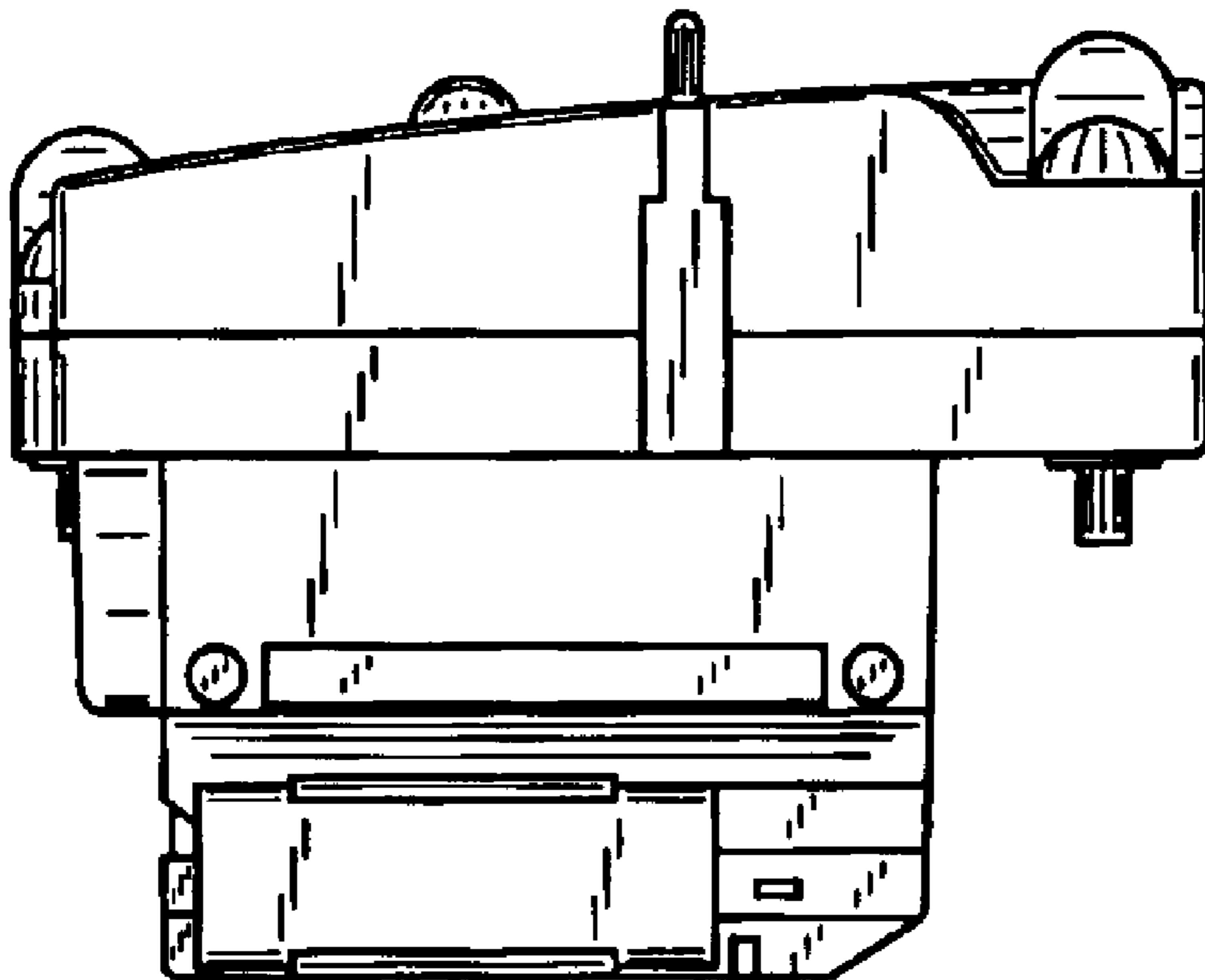


Fig. 5

Fig. 6

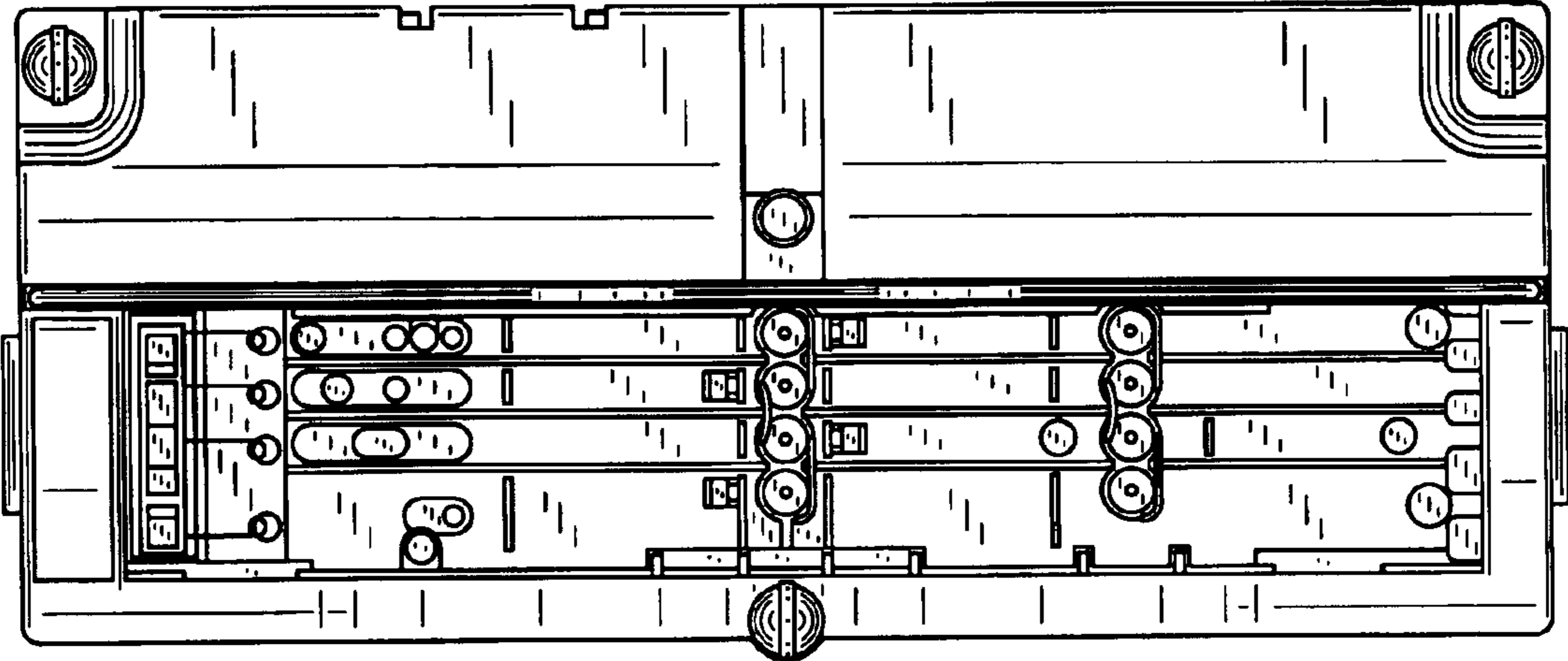


Fig. 7

