



US00D510589S

(12) **United States Design Patent** (10) **Patent No.:** **US D510,589 S**
Andre et al. (45) **Date of Patent:** **** Oct. 11, 2005**

(54) **CAMERA**

(75) Inventors: **Bartley K. Andre**, Menlo Park, CA (US); **Daniel J. Coster**, San Francisco, CA (US); **Daniele De Iuliis**, San Francisco, CA (US); **Richard P. Howarth**, San Francisco, CA (US); **Jonathan P. Ive**, San Francisco, CA (US); **Duncan Robert Kerr**, San Francisco, CA (US); **Matthew Dean Rohrbach**, San Francisco, CA (US); **Douglas B. Satzger**, San Carlos, CA (US); **Calvin Q. Seid**, Palo Alto, CA (US); **Christopher J. Stringer**, Pacifica, CA (US); **Eugene Anthony Whang**, San Francisco, CA (US)

(73) Assignee: **Apple Computer, Inc.**, Cupertino, CA (US)

(**) Term: **14 Years**

(21) Appl. No.: **29/178,686**

(22) Filed: **Mar. 28, 2003**

(51) **LOC (8) Cl.** **16-01**

(52) **U.S. Cl.** **D16/202**

(58) **Field of Search** D16/130, 132, D16/200-206, 208, 218, 219; 248/187.1, 278.1; 348/14.01-14.1, 373-376; 358/906; 396/535-541

(56) **References Cited**

U.S. PATENT DOCUMENTS

3,184,196	A	*	5/1965	Dent	248/187.1
4,344,092	A	*	8/1982	Miller	348/373
D288,210	S	*	2/1987	Mise	D16/132
D355,663	S		2/1995	Van Cort		
D374,022	S		9/1996	Meinzer		
D395,440	S		6/1998	Ogasawara et al.		
D400,898	S		11/1998	Phillips		
D428,618	S	*	7/2000	McBride	D16/203
D430,888	S	*	9/2000	Adachi et al.	D16/203

6,172,703	B1	1/2001	Lee
D438,221	S	2/2001	Hedrick et al.
D439,588	S	3/2001	Bergström et al.
D454,898	S	3/2002	Ogasawara et al.
D463,467	S	9/2002	Sumita
D471,218	S	3/2003	Sekine
D476,345	S	6/2003	Phelps et al.

(Continued)

OTHER PUBLICATIONS

Computers/Input Devices/Web Cameras:, www.shopping.com, downloaded on Apr. 7, 2004.

Primary Examiner—Adir Aronovich
(74) *Attorney, Agent, or Firm*—Beyer Weaver & Thomas, LLP

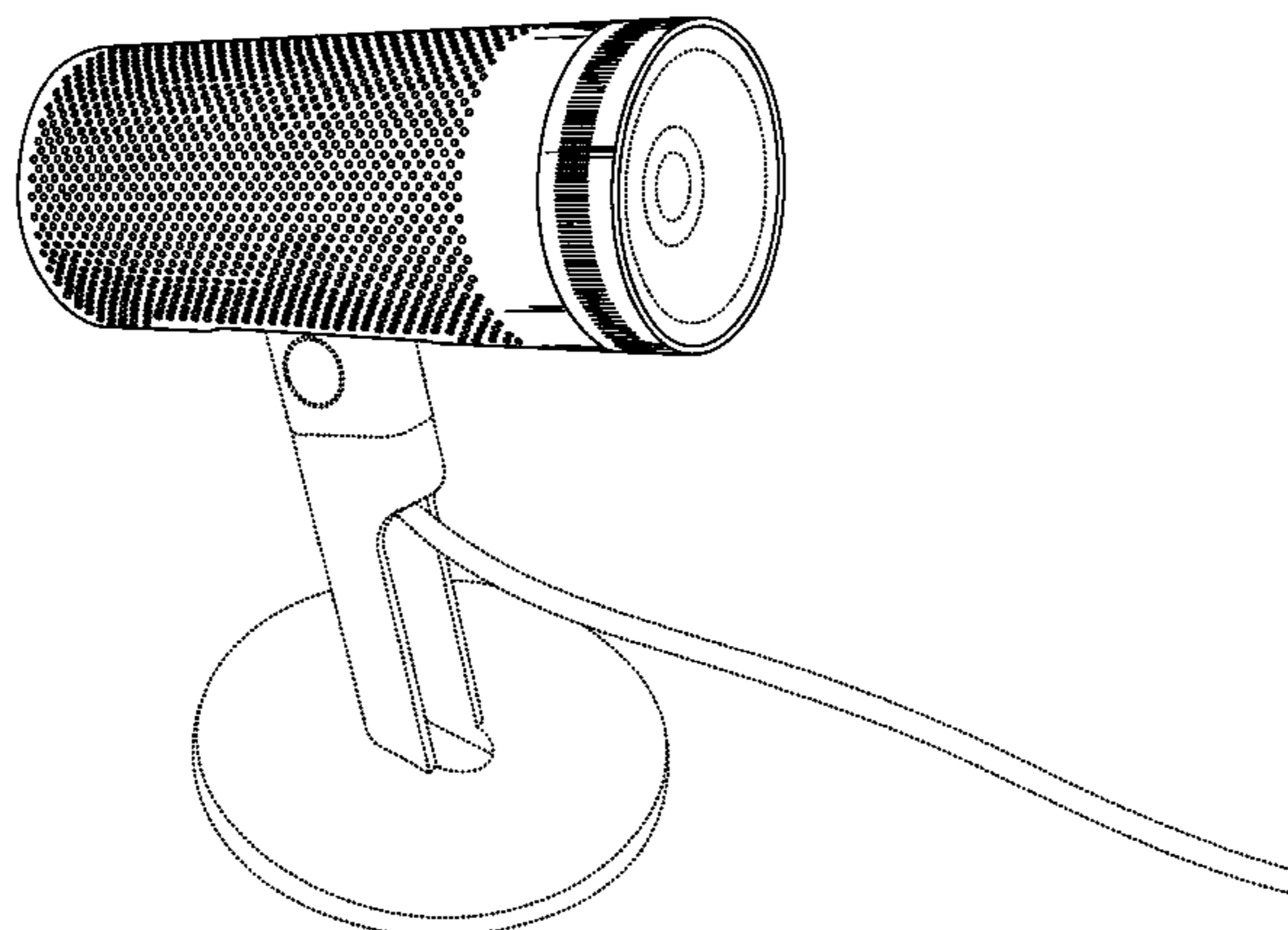
(57) **CLAIM**

The ornamental design for a camera, substantially as shown and described.

DESCRIPTION

FIG. 1 is a perspective view of a camera showing our new design;
FIG. 2 is a left side view for the camera shown in FIG. 1.
FIG. 3 is a right side view for the camera shown in FIG. 1.
FIG. 4 is a rear view for the camera shown in FIG. 1.
FIG. 5 is a front view for the camera shown in FIG. 1.
FIG. 6 is a top view for the camera shown in FIG. 1.
FIG. 7 is a bottom view for the camera shown in FIG. 1.
FIG. 8 is a perspective view of the camera shown in FIG. 1. The camera is placed in a camera stand shown in broken lines for illustrative purposes only and forms no part of the claimed design; and,
FIG. 9 is a second embodiment of the camera shown in FIG. 1 where the apertures and knurled surfaces are illustrated in broken lines and form no part of the claimed design.
The broken lines shown throughout the drawings are for illustrative purposes only and form no part of the claimed design.

1 Claim, 6 Drawing Sheets



US D510,589 S

Page 2

U.S. PATENT DOCUMENTS			
		6,679,467 B1 *	1/2004 Softness 248/278.1
		6,722,076 B2 *	4/2004 Nielsen 42/146
		D500,511 S	1/2005 Sybilrud
D477,622 S	7/2003	Phelps et al.	
D482,377 S	11/2003	Tajima	
D484,159 S	* 12/2003	Cheng	D16/203 * cited by examiner

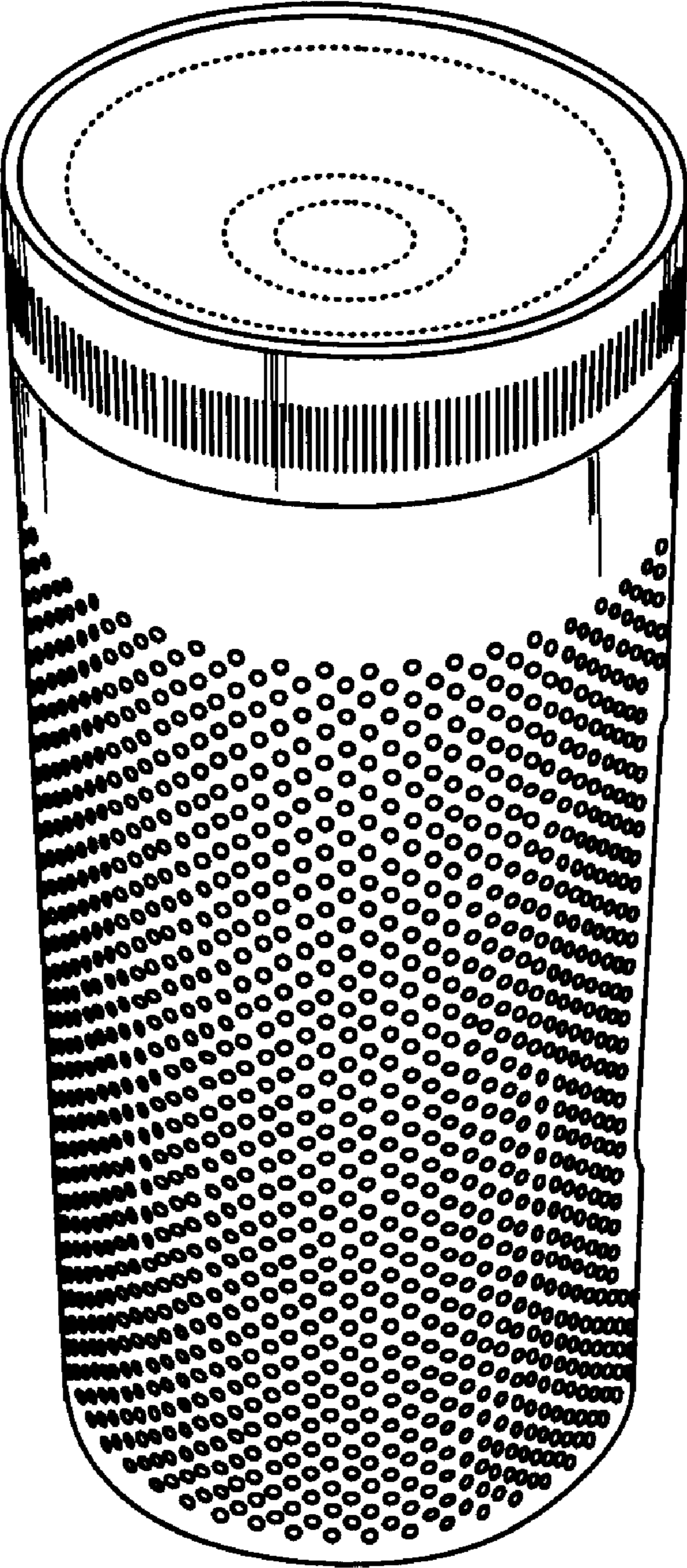


FIG. 1

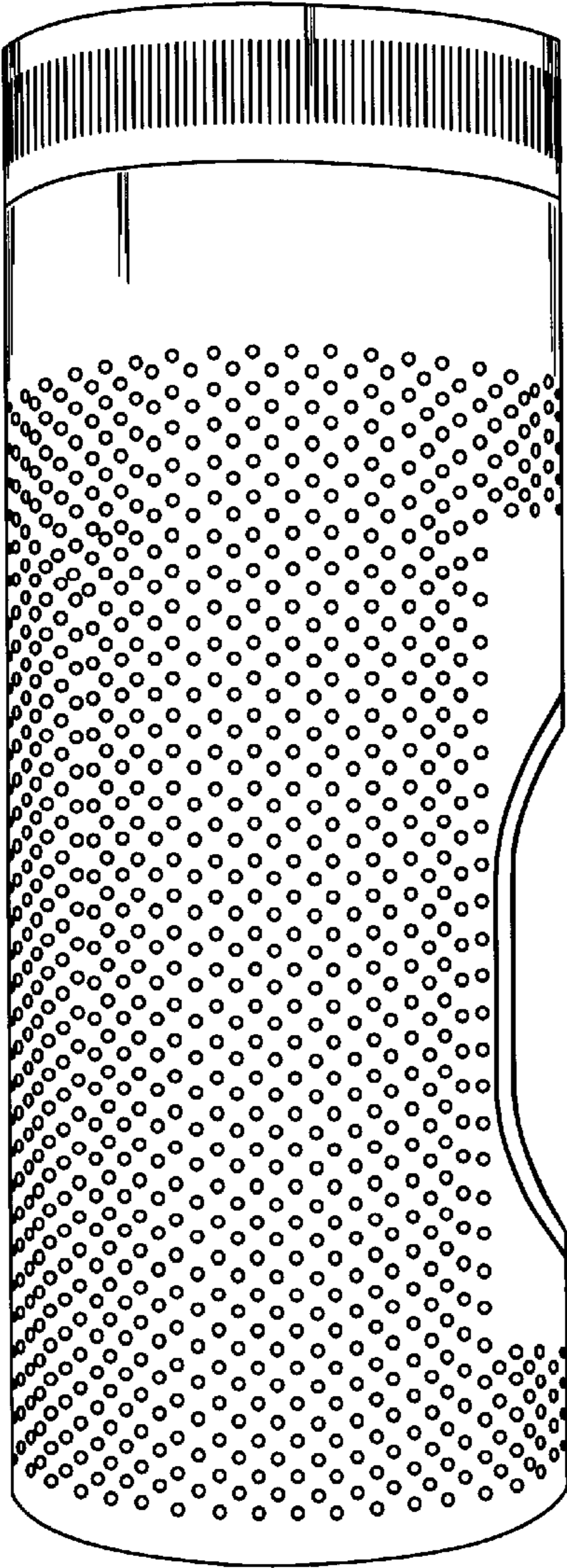


FIG. 2

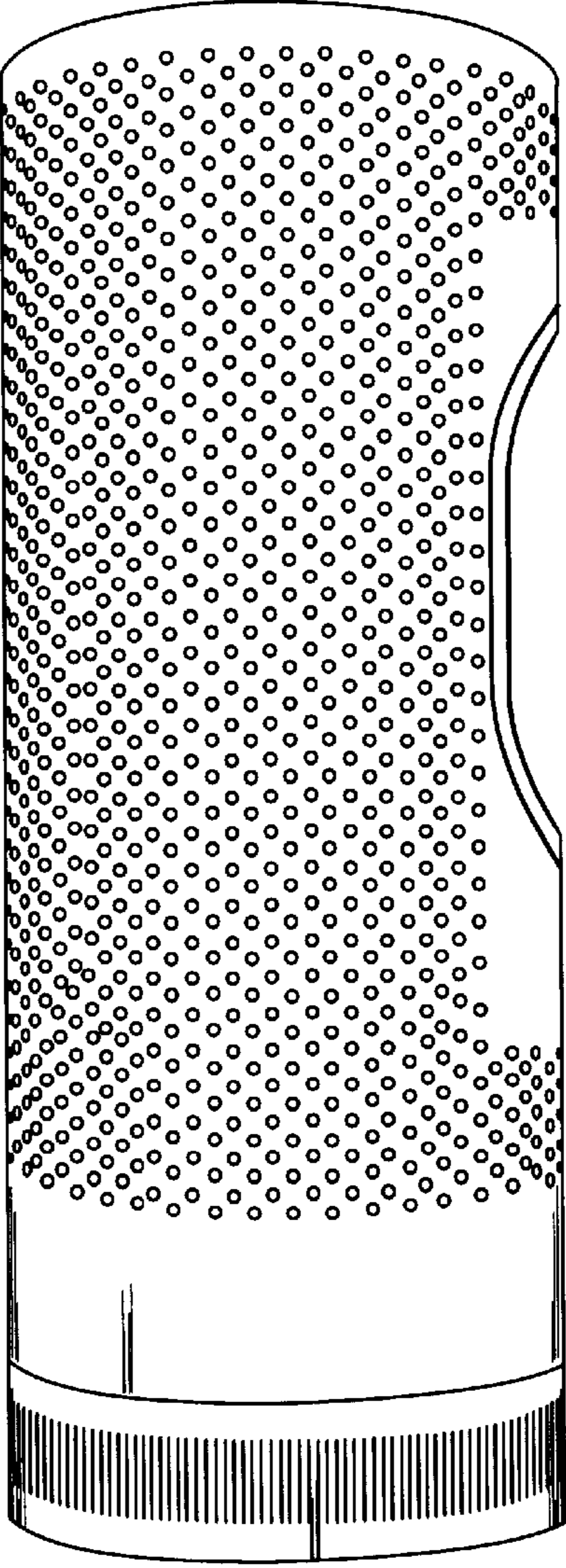


FIG. 3

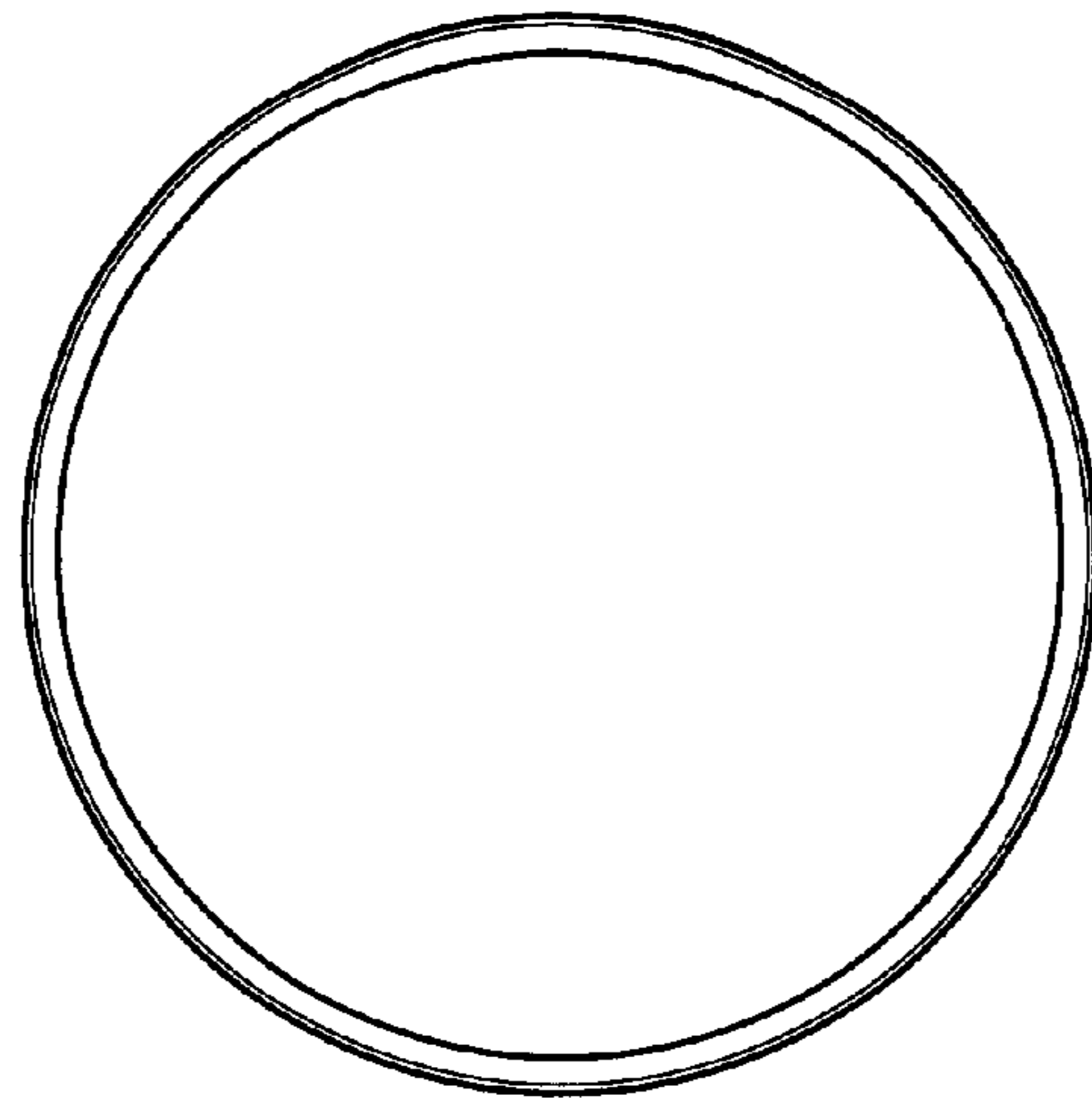


FIG. 4

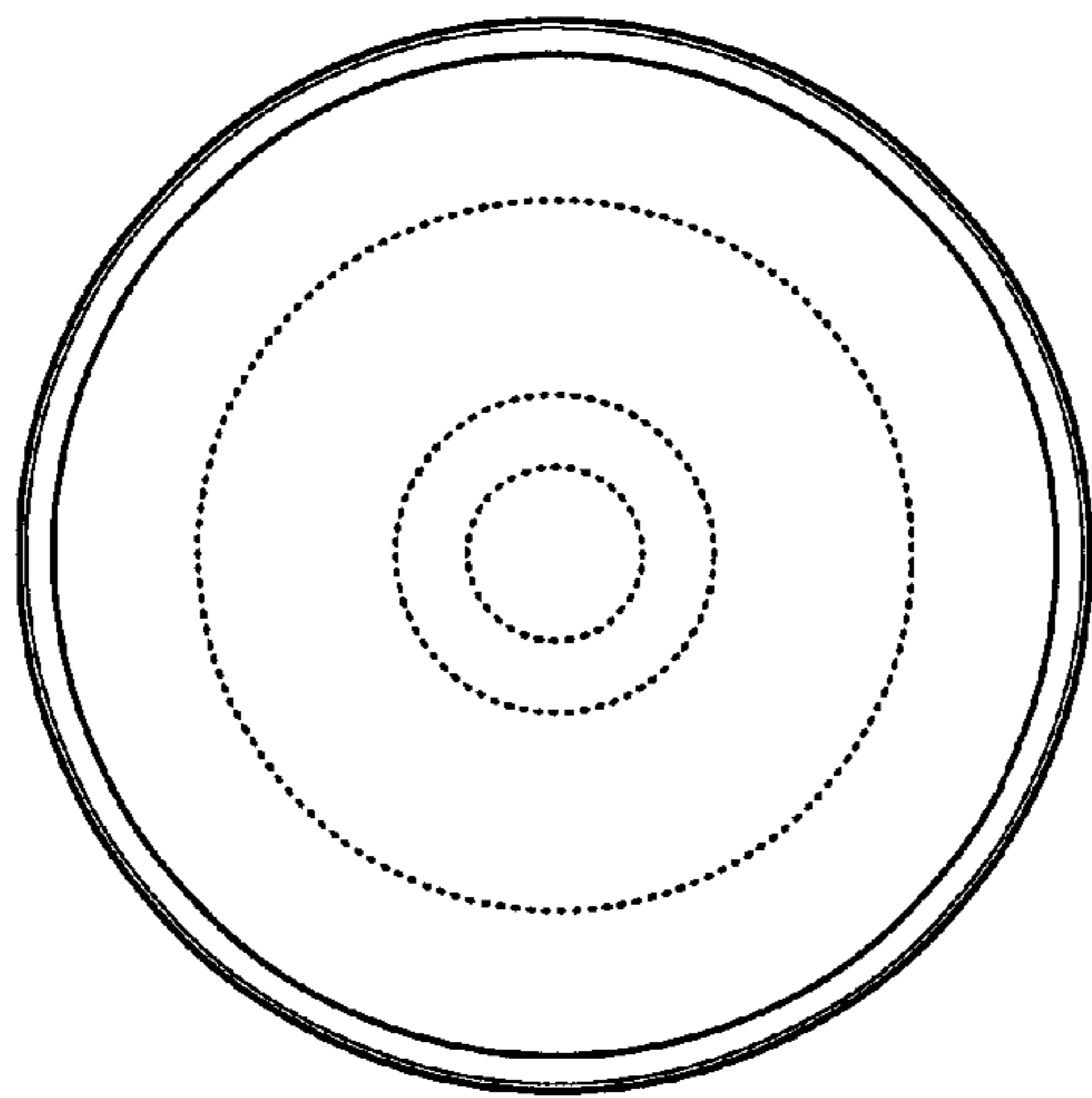


FIG. 5

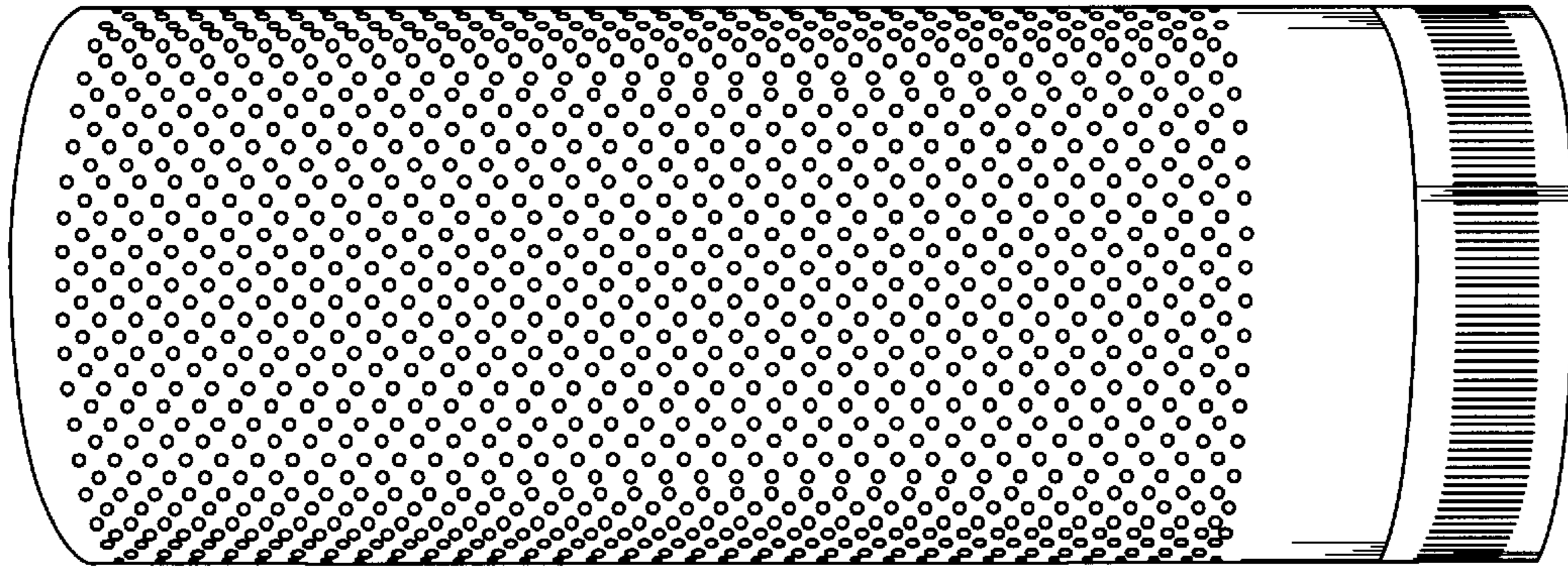


FIG. 6

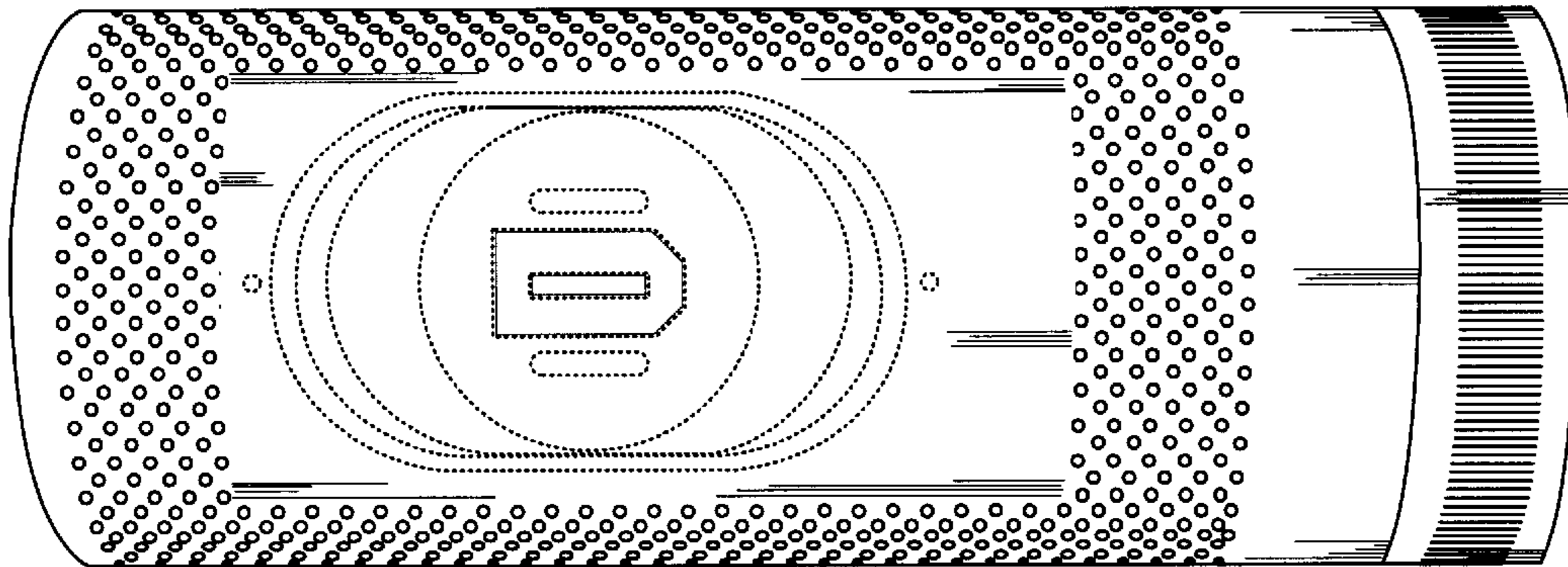


FIG. 7

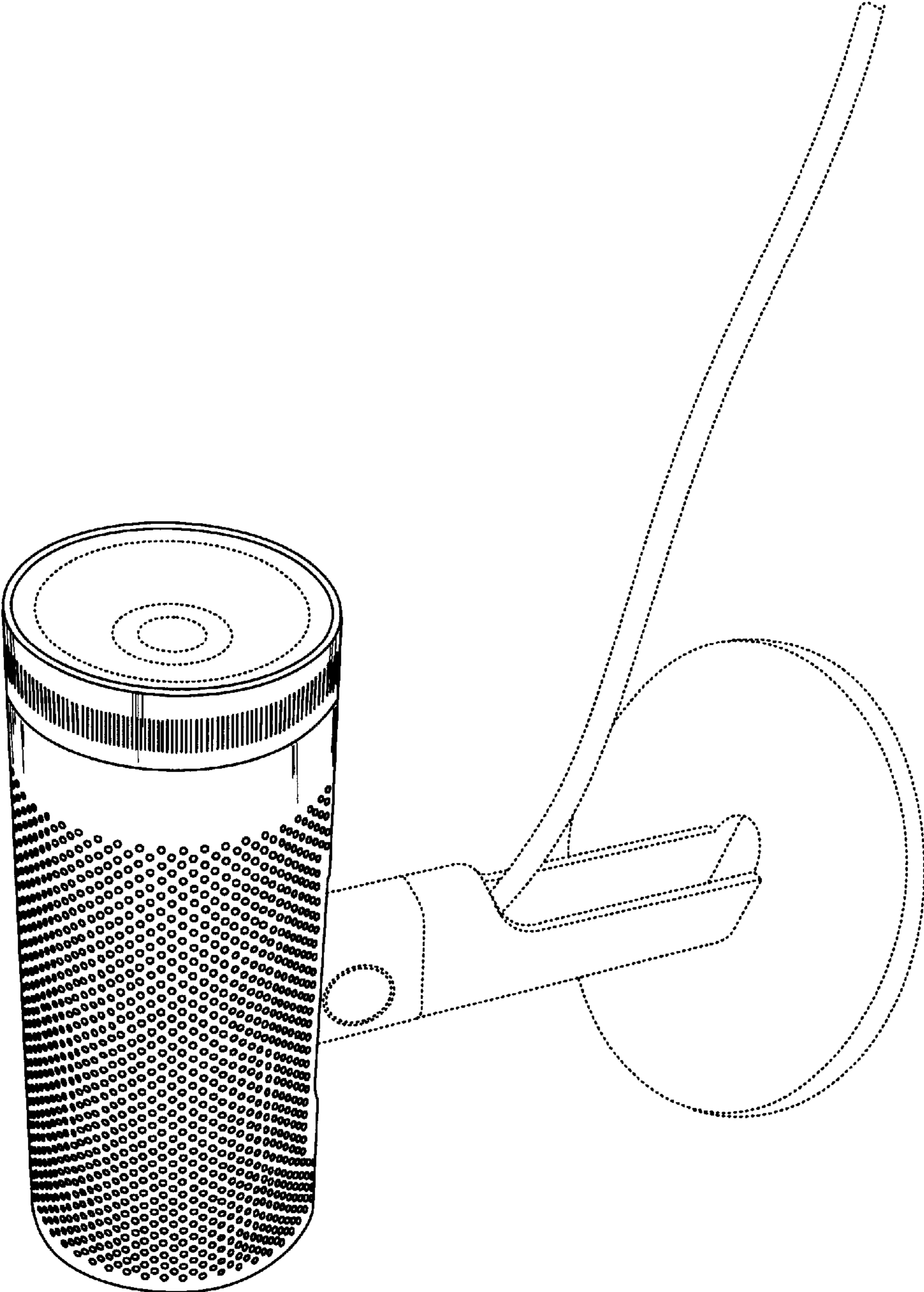


FIG. 8

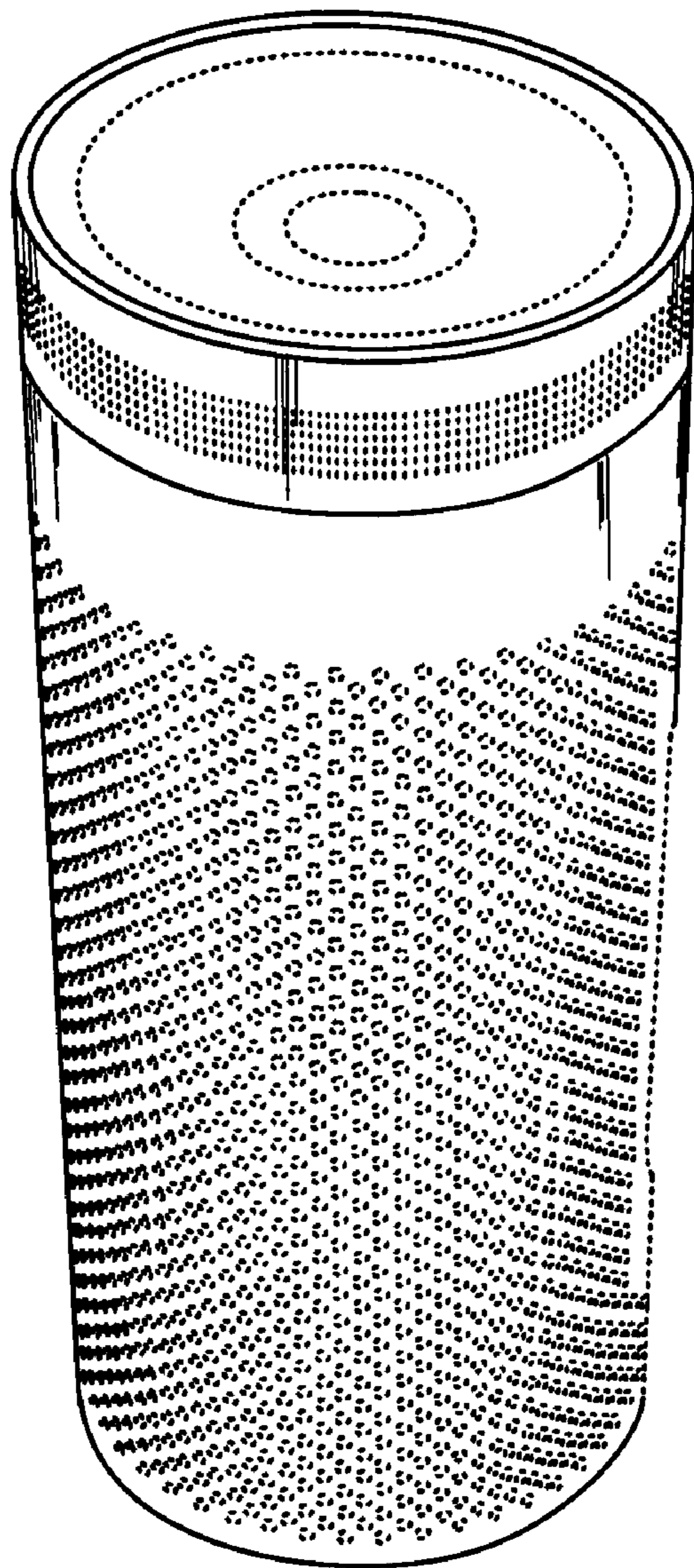


FIG. 9