



US00D510588S

(12) **United States Design Patent**
Love

(10) **Patent No.:** **US D510,588 S**
(45) **Date of Patent:** **** Oct. 11, 2005**

(54) **EYEGLASS LENS**

(75) Inventor: **Matthew J. Love**, Rocky River, OH
(US)

(73) Assignee: **Gateway Safety, Inc.**, Cleveland, OH
(US)

(**) Term: **14 Years**

(21) Appl. No.: **29/196,483**

(22) Filed: **Dec. 29, 2003**

(51) **LOC (8) Cl.** **16-06**

(52) **U.S. Cl.** **D16/101; D16/315; D16/313**

(58) **Field of Search** **D16/300-330,**
D16/101, 332-338; D29/109-110; D24/110.2;
351/41, 44, 51-52, 158, 92, 103-111, 130,
61; 2/426-432, 448, 441, 447, 434-437

(56) **References Cited**

U.S. PATENT DOCUMENTS

D270,165 S	*	8/1983	Burns	D16/315
4,670,915 A	*	6/1987	Evans	2/448
4,741,611 A	*	5/1988	Burns	351/44
D327,283 S	*	6/1992	Bolle	D16/315
D359,971 S	*	7/1995	Jannard	D16/314
D374,448 S		10/1996	Yee et al.		
D376,163 S		12/1996	Jannard et al.		
D419,167 S	*	1/2000	Hall et al.	D16/101
D424,080 S	*	5/2000	Hall et al.	D16/101
D425,087 S		5/2000	Sivalelli		
D433,697 S	*	11/2000	Lane	D16/315
6,196,681 B1	*	3/2001	Canavan	351/106

D448,397 S	*	9/2001	Fusi et al.	D16/313
D458,949 S		6/2002	Wang-Lee		
D473,584 S		4/2003	Benavides et al.		
D476,676 S		7/2003	Nielsen		
D478,927 S		8/2003	Teng		

OTHER PUBLICATIONS

Sunglass Hut catalog, p. 13, 2001.*

* cited by examiner

Primary Examiner—Raphael Barkai

(74) *Attorney, Agent, or Firm*—Fay, Sharpe, Fagan,
Minnich & McKee, LLP

(57) **CLAIM**

The ornamental design for an eyeglass lens, as shown and described.

DESCRIPTION

FIG. 1 is a perspective view of an eyeglass lens in accordance with the present invention.

FIG. 2 is a perspective view of the eyeglass lens with presently unclaimed frame and bridge portions shown in broken line.

FIG. 3 is a left side view of the eyeglass lens in FIG. 2.

FIG. 4 is a right side view of the eyeglass lens in FIG. 2.

FIG. 5 is a front view of the eyeglass lens in FIG. 2.

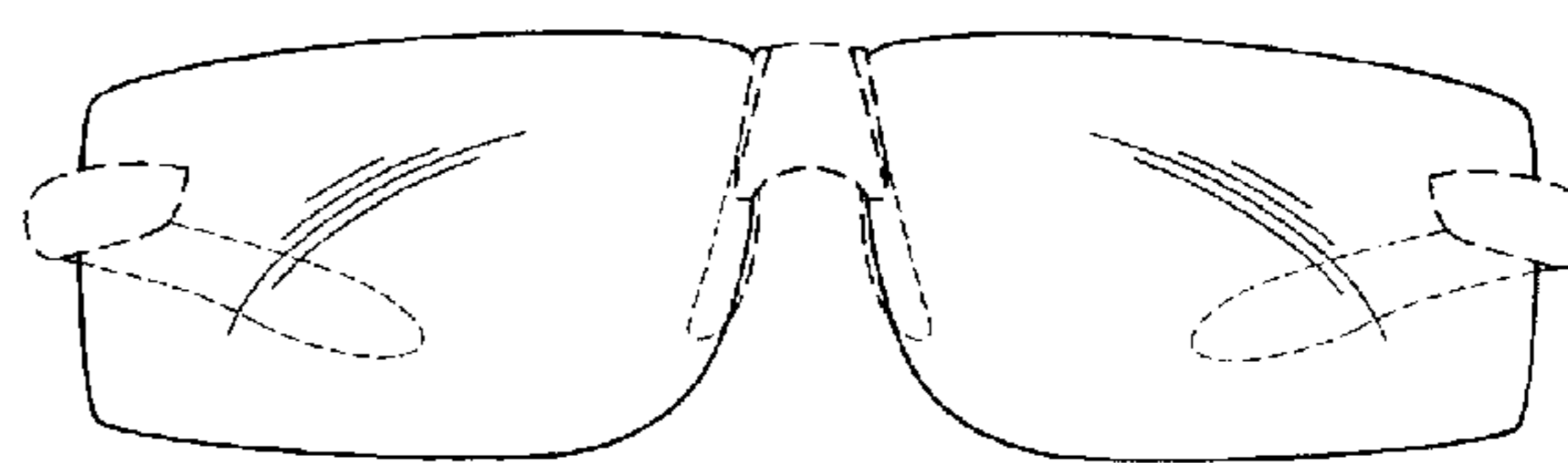
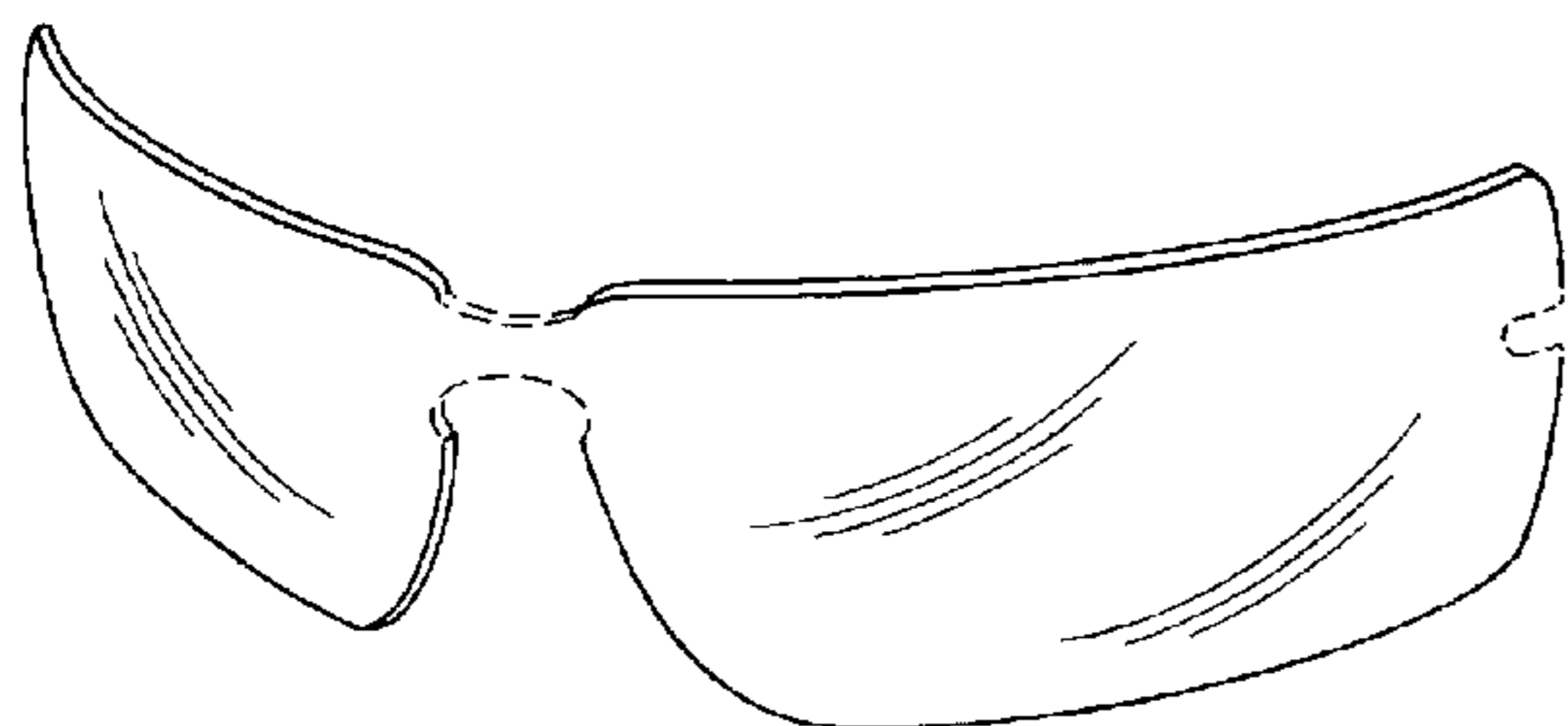
FIG. 6 is a top plan view of the eyeglass lens in FIG. 2.

FIG. 7 is a rear view of the eyeglass lens in FIG. 2; and,

FIG. 8 is a bottom plan view of the eyeglass lens in FIG. 2.

The broken lines shown in FIGS. 1-8 is for illustrative purposes and presently forms no part of the claimed design.

1 Claim, 3 Drawing Sheets



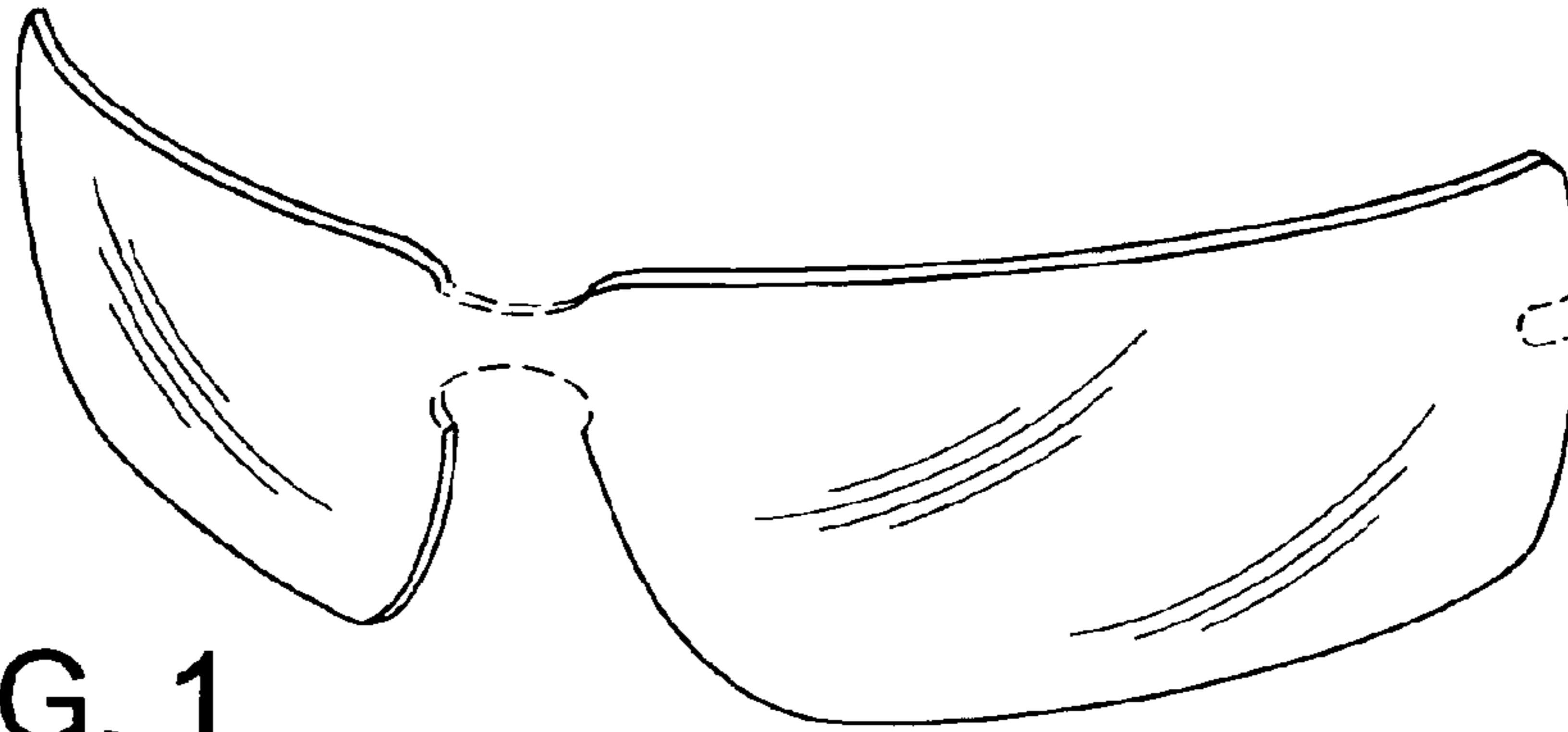


FIG. 1

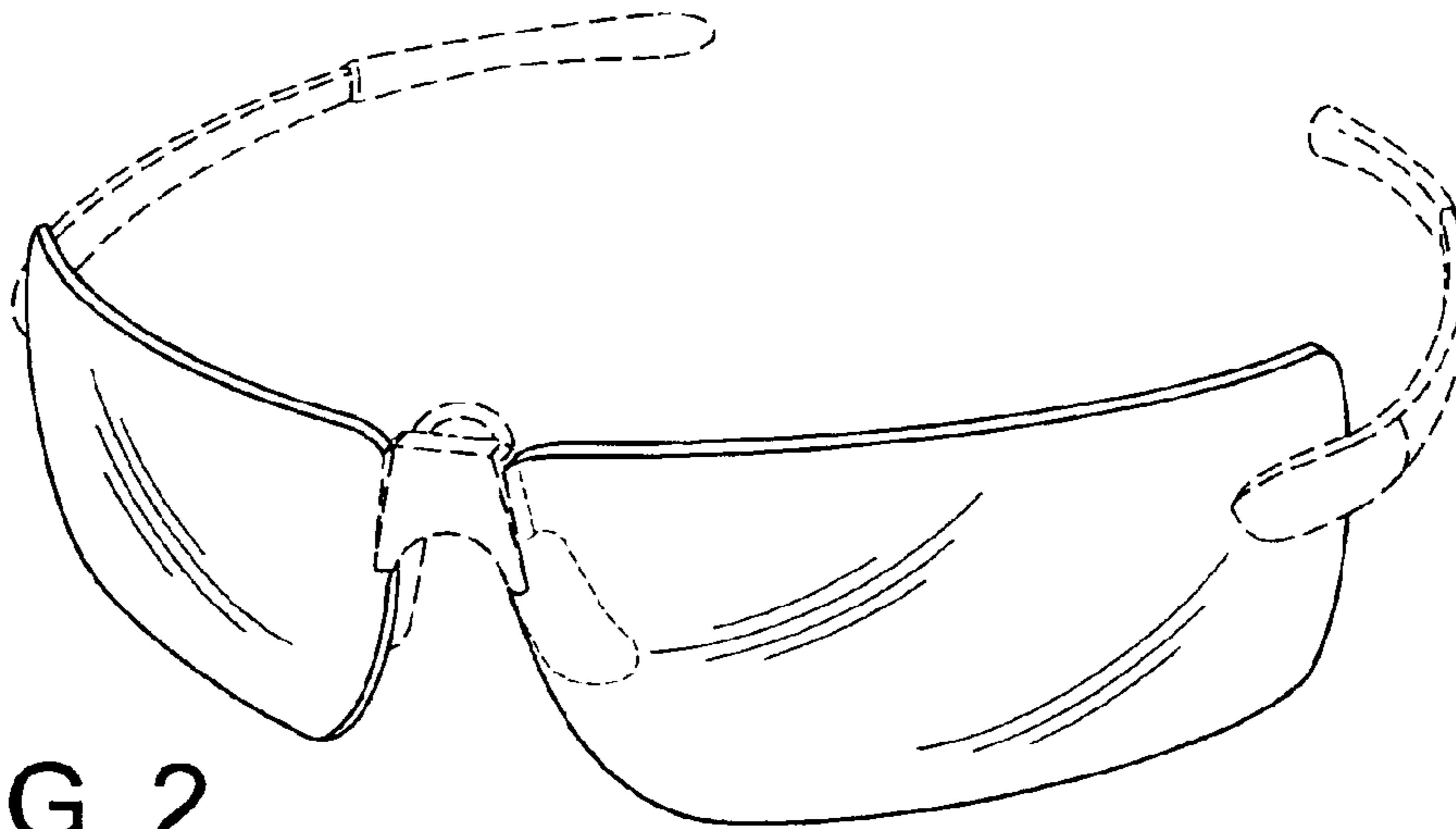


FIG. 2

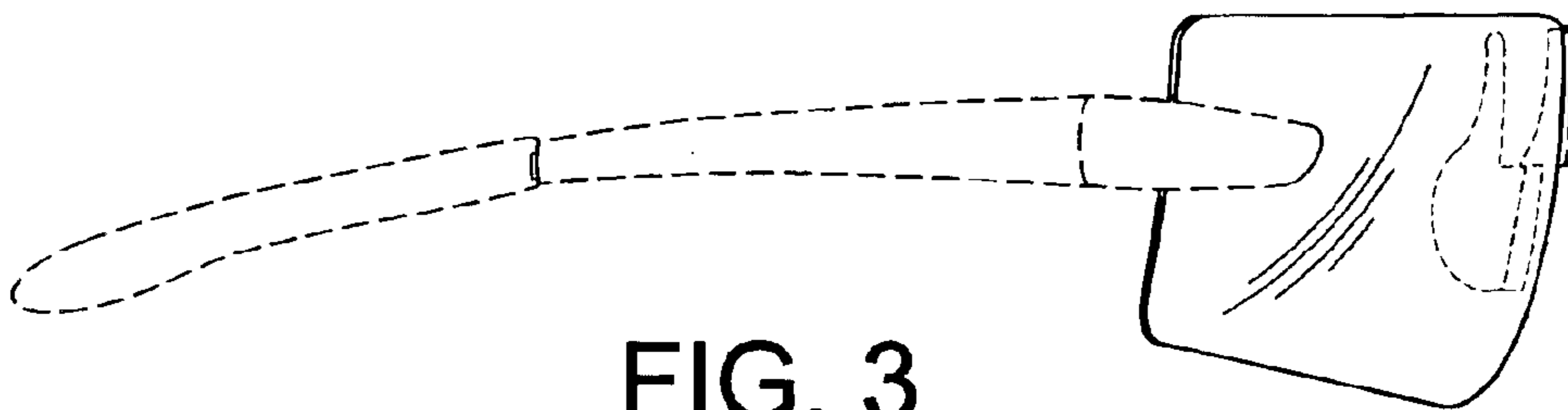


FIG. 3

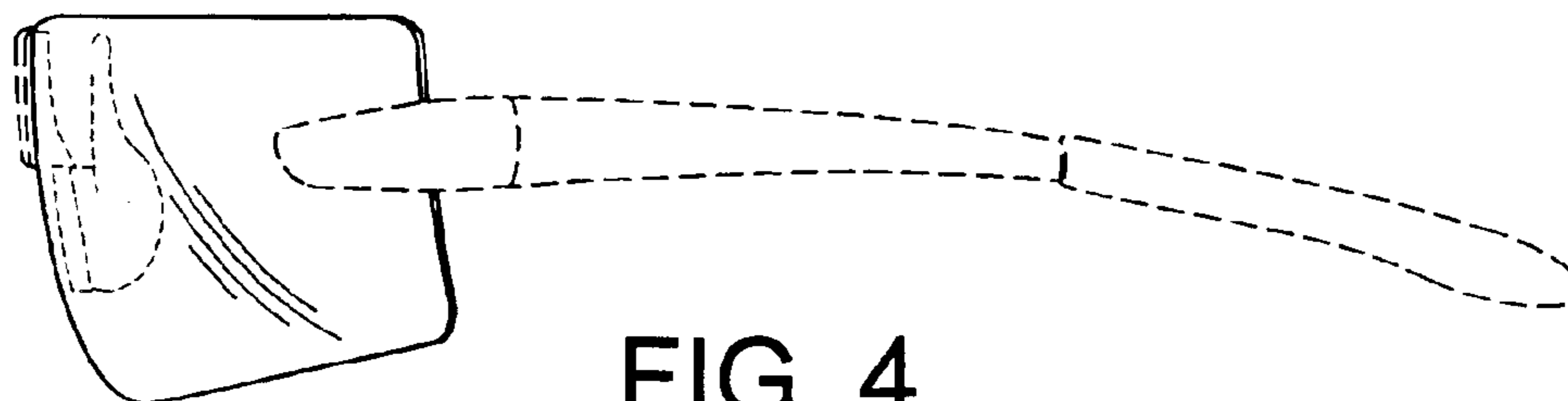


FIG. 4

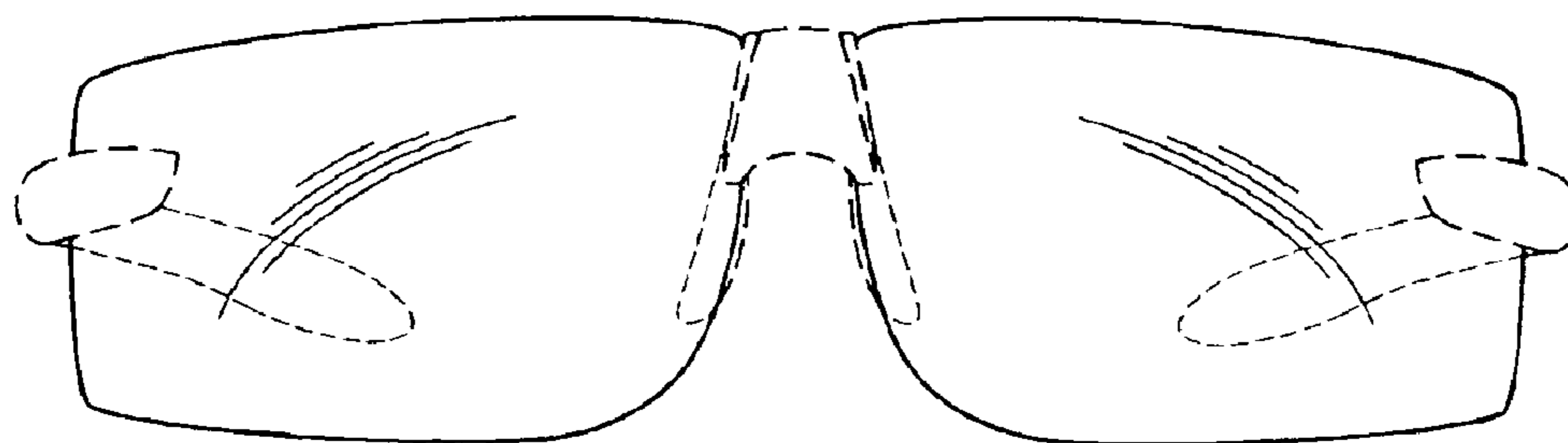


FIG. 5

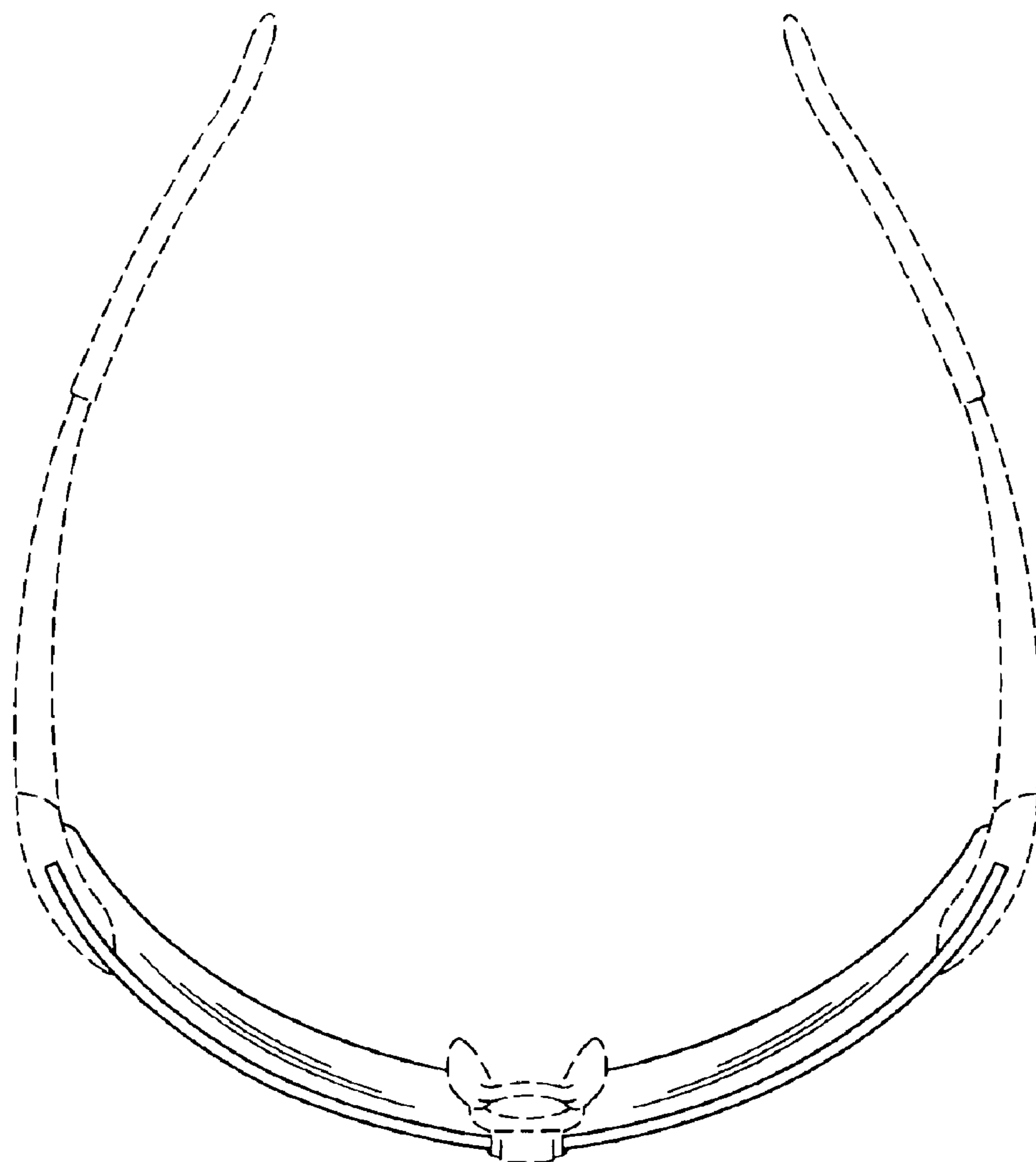


FIG. 6

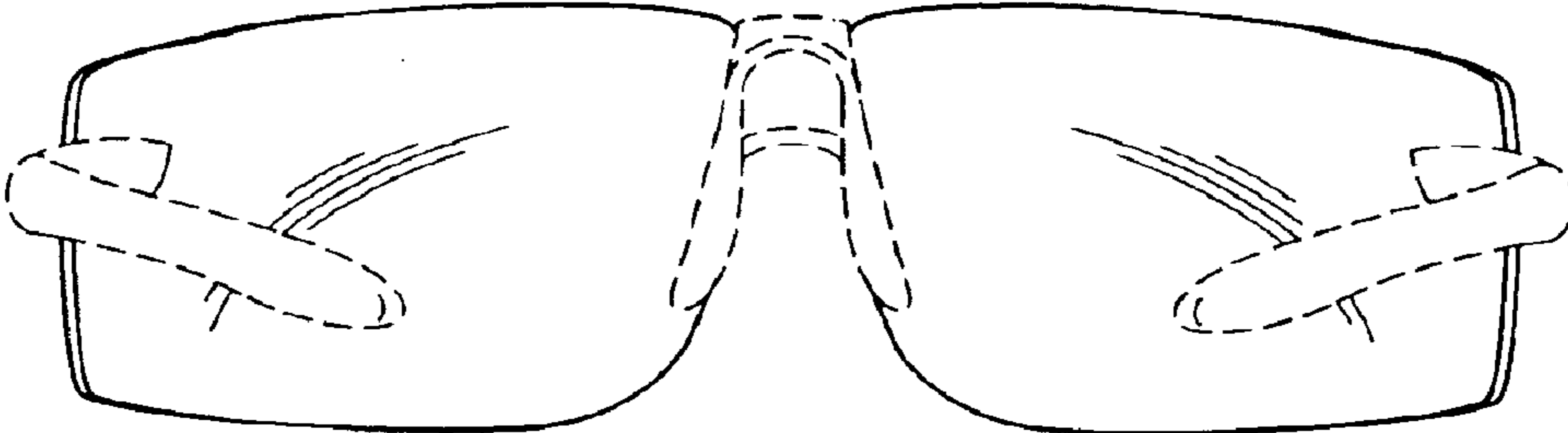


FIG. 7

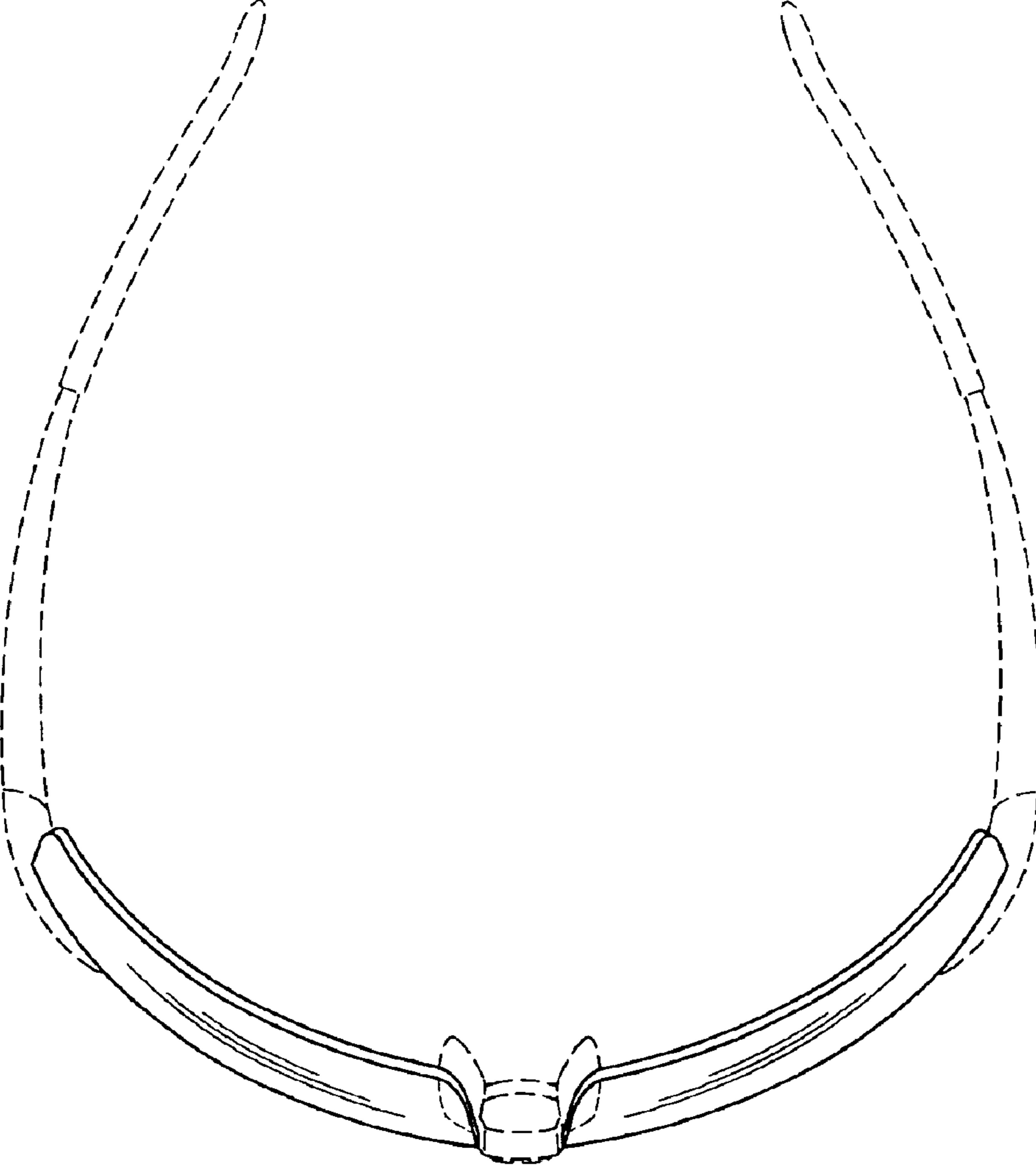


FIG. 8