



US00D510581S

(12) **United States Design Patent** (10) **Patent No.:** **US D510,581 S**
Robbin et al. (45) **Date of Patent:** **** Oct. 11, 2005**

(54) **USER INTERFACE FOR COMPUTER DISPLAY**

D426,525 S * 6/2000 Coleman
D428,894 S 8/2000 Chatfield et al.
D437,858 S 2/2001 Yasui et al.
D439,982 S 4/2001 Ruscitti
D455,758 S * 4/2002 Buzzard et al.

(75) Inventors: **Jeff Robbin**, Los Altos, CA (US);
Timothy E. Wasko, High River (CA);
Steven P. Jobs, Palo Alto, CA (US)

* cited by examiner

(73) Assignee: **Apple Computer, Inc.**, Cupertino, CA (US)

Primary Examiner—M. H. Tung
(74) *Attorney, Agent, or Firm*—Burns, Doane, Swecker & Mathis, LLP

(**) Term: **14 Years**

(57) **CLAIM**

(21) Appl. No.: **29/174,115**

The ornamental design for a user interface for computer display, as shown and described.

(22) Filed: **Jan. 13, 2003**

DESCRIPTION

Related U.S. Application Data

(62) Division of application No. 29/160,346, filed on May 10, 2002, now Pat. No. Des. 473,236, which is a division of application No. 29/135,278, filed on Jan. 8, 2001, now Pat. No. Des. 462,076.

© 2001 Apple Computer, Inc. A portion of the disclosure of this patent document contains material to which a claim for copyright and trademark is made. The copyright and trademark owner has no objection to the facsimile reproduction by anyone of the patent document or the patent disclosure, as it appears in the Patent and Trademark Office patent file or records, but reserves all other copyright and trademark rights whatsoever.

(51) **LOC (8) Cl.** **14-02**

(52) **U.S. Cl.** **D14/486**

(58) **Field of Search** D14/485-95; D18/24-33;
D19/6; D20/11; D21/324-33; 345/700-26,
764-866

The file of this patent contains at least one drawing executed in color. Copies of this patent with color drawings will be provided by the Patent and Trademark Office upon request and payment of the necessary fee.

(56) **References Cited**

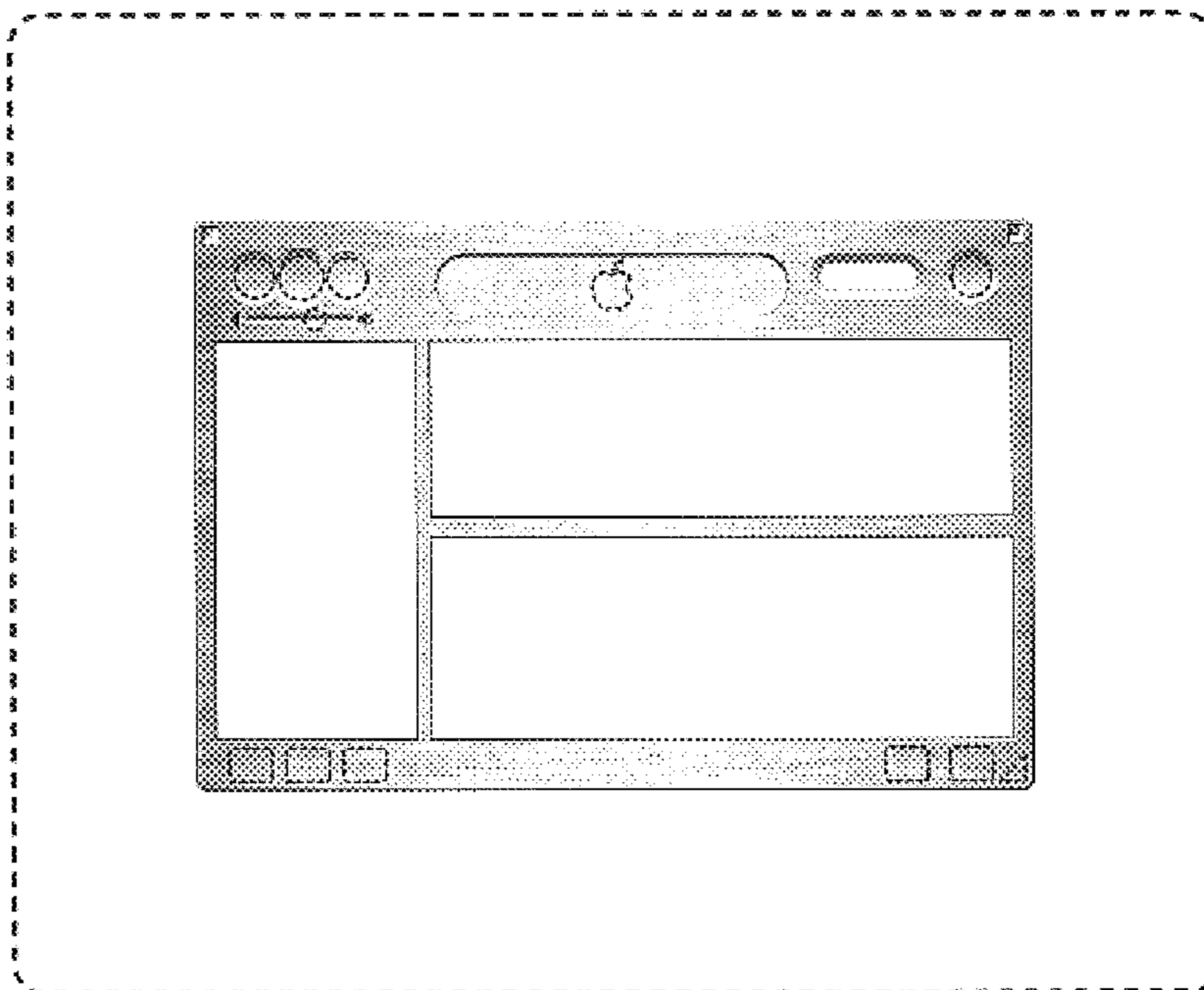
U.S. PATENT DOCUMENTS

D388,776 S * 1/1998 Zhang et al.
D392,266 S * 3/1998 Snyder et al.
D418,120 S 12/1999 Okura et al.
D418,495 S * 1/2000 Brockel et al.
D418,826 S 1/2000 Pavely et al.
D420,993 S 2/2000 Decker
D423,484 S 4/2000 Dangelmaier et al.

FIG. 1 is a front view of a user interface for a computer display showing our new design; and, FIG. 2 is a second embodiment thereof.

The broken line drawings of a computer display and the elements on the interface are for illustrative purposes only and form no part of the claimed design.

1 Claim, 2 Drawing Sheets



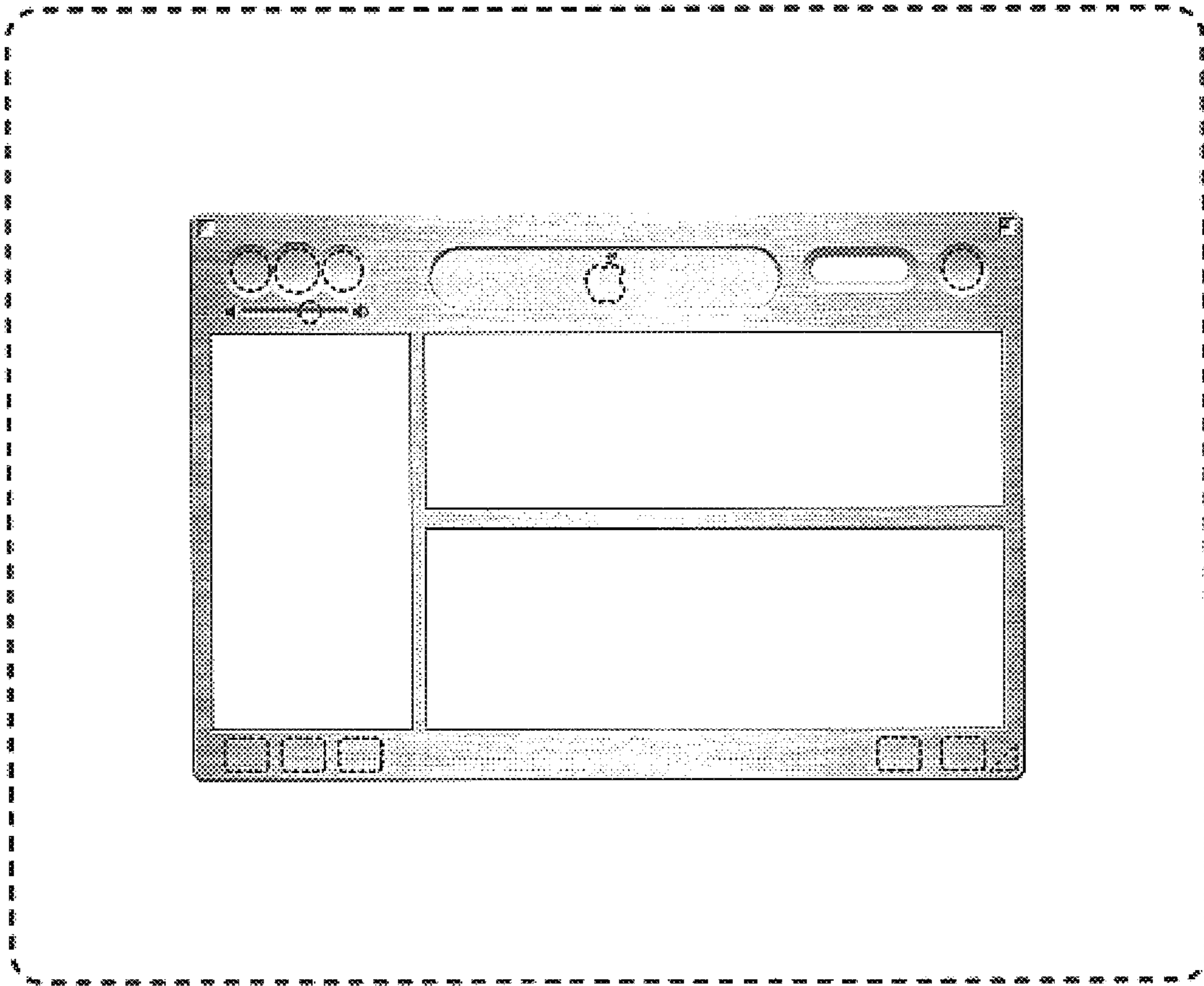


Figure 1

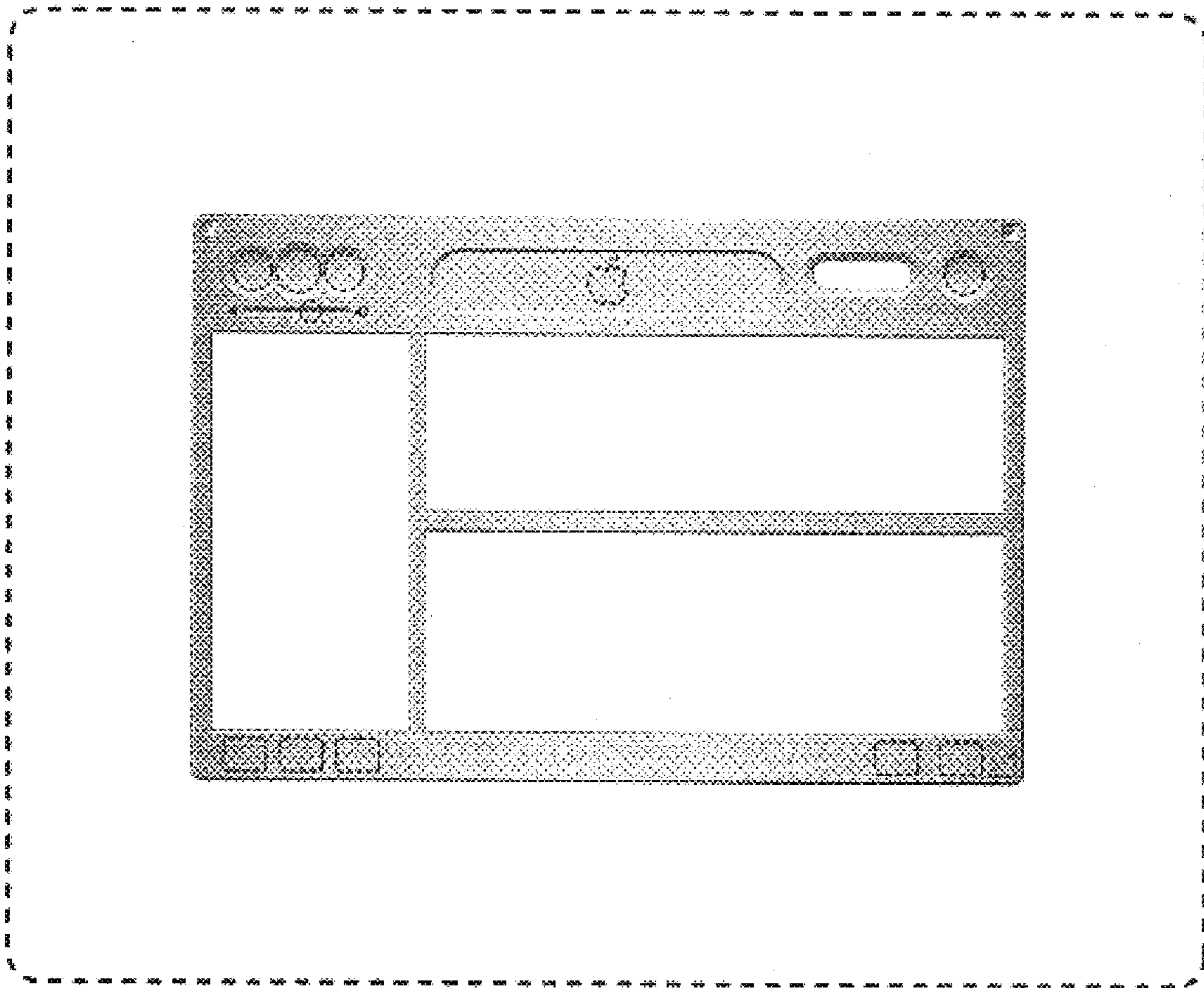


Figure 2