



US00D510573S

(12) **United States Design Patent**
Brimhall et al.

(10) **Patent No.:** **US D510,573 S**
(45) **Date of Patent:** **** Oct. 11, 2005**

(54) **SPEAKER**

(75) Inventors: **Wells Brimhall**, Portland, OR (US);
Raymond Weikel, Camas, WA (US);
Donald Mayette, Vancouver, WA (US);
David Carr, Hood River, OR (US);
Omer Kotzer, Portland, OR (US);
Niklas Gustavsson, Portland, OR (US);
Bernhard Wildner, Portland, OR (US)

(73) Assignee: **Logitech Europe S.A.**, Romanel-sur
Morges (CH)

(**) Term: **14 Years**

(21) Appl. No.: **29/205,934**

(22) Filed: **May 21, 2004**

(51) **LOC (8) Cl.** **14-01**

(52) **U.S. Cl.** **D14/215**

(58) **Field of Search** D14/204, 207,
D14/209-216, 356; 181/143-144, 147-148,
150, 157, 198-199, 151, 153; 381/300-302,
306, 333, 345, 361-364, 386-388, 332,
336

(56) **References Cited**

U.S. PATENT DOCUMENTS

3,194,340 A * 7/1965 Kuwayama 381/346

5,067,583 A * 11/1991 Hathaway 181/151
D462,066 S * 8/2002 Mayette et al. D14/214
D464,640 S * 10/2002 Mayette et al. D14/211
D465,212 S * 11/2002 Lytel D14/215

* cited by examiner

Primary Examiner—Nanda Bondade
(74) *Attorney, Agent, or Firm*—Ipsolon, llp

(57) **CLAIM**

The ornamental design for a speaker, as shown and described.

DESCRIPTION

FIG. 1 is a front, right perspective view of the speaker;
FIG. 2 is a top plan view thereof;
FIG. 3 is a left side, elevation view thereof; the right side,
elevation view being a mirror image thereof;
FIG. 4 is a front, elevation view thereof;
FIG. 5 is a bottom plan view thereof; and,
FIG. 6 is a rear elevation view thereof.

The broken lines showing a stand, feet, vents, grille mount-
ing holes, seams, and driver openings are for illustrative
purpose only and form no part of the claimed design.

1 Claim, 2 Drawing Sheets

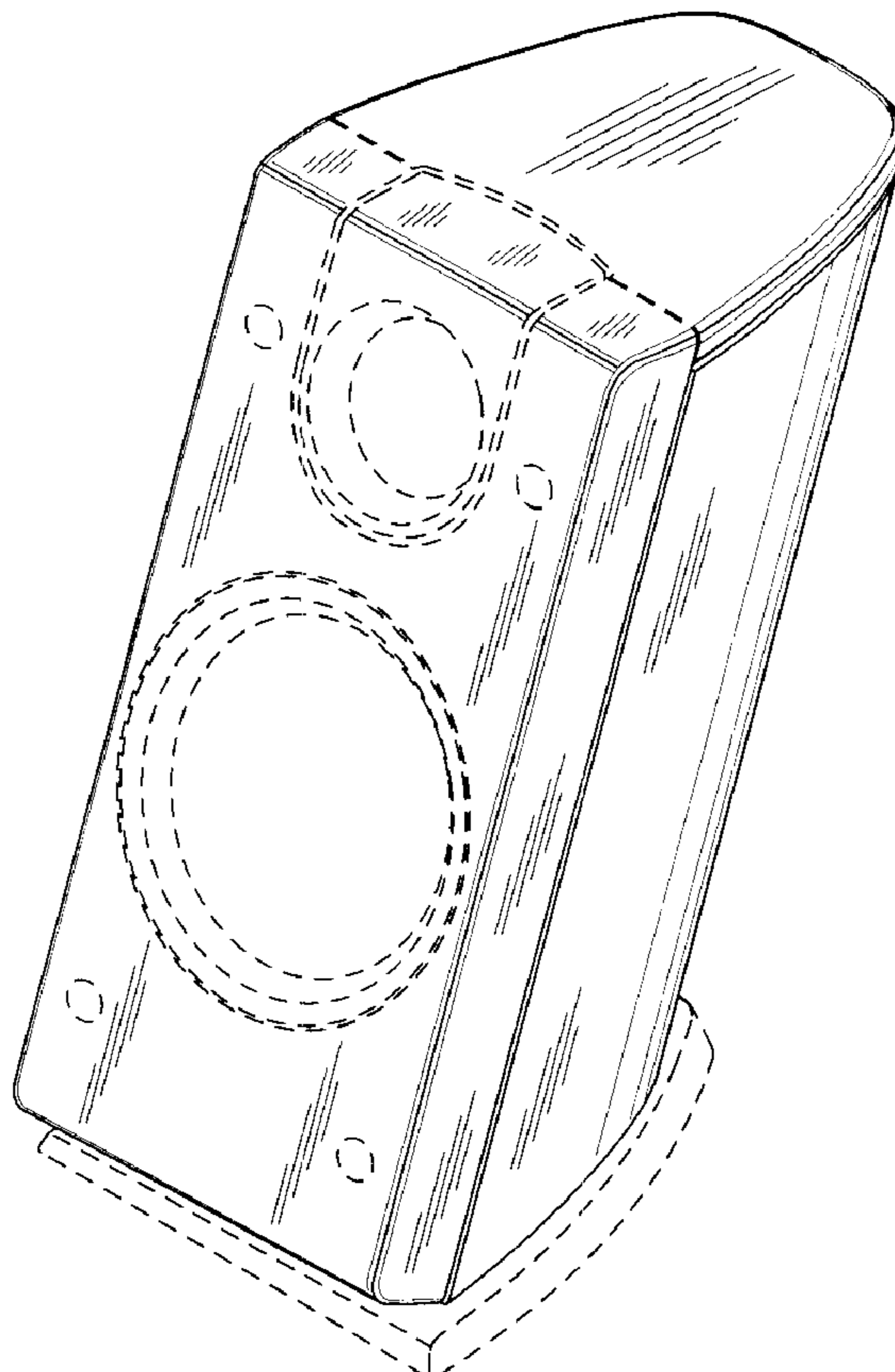


FIG. 1

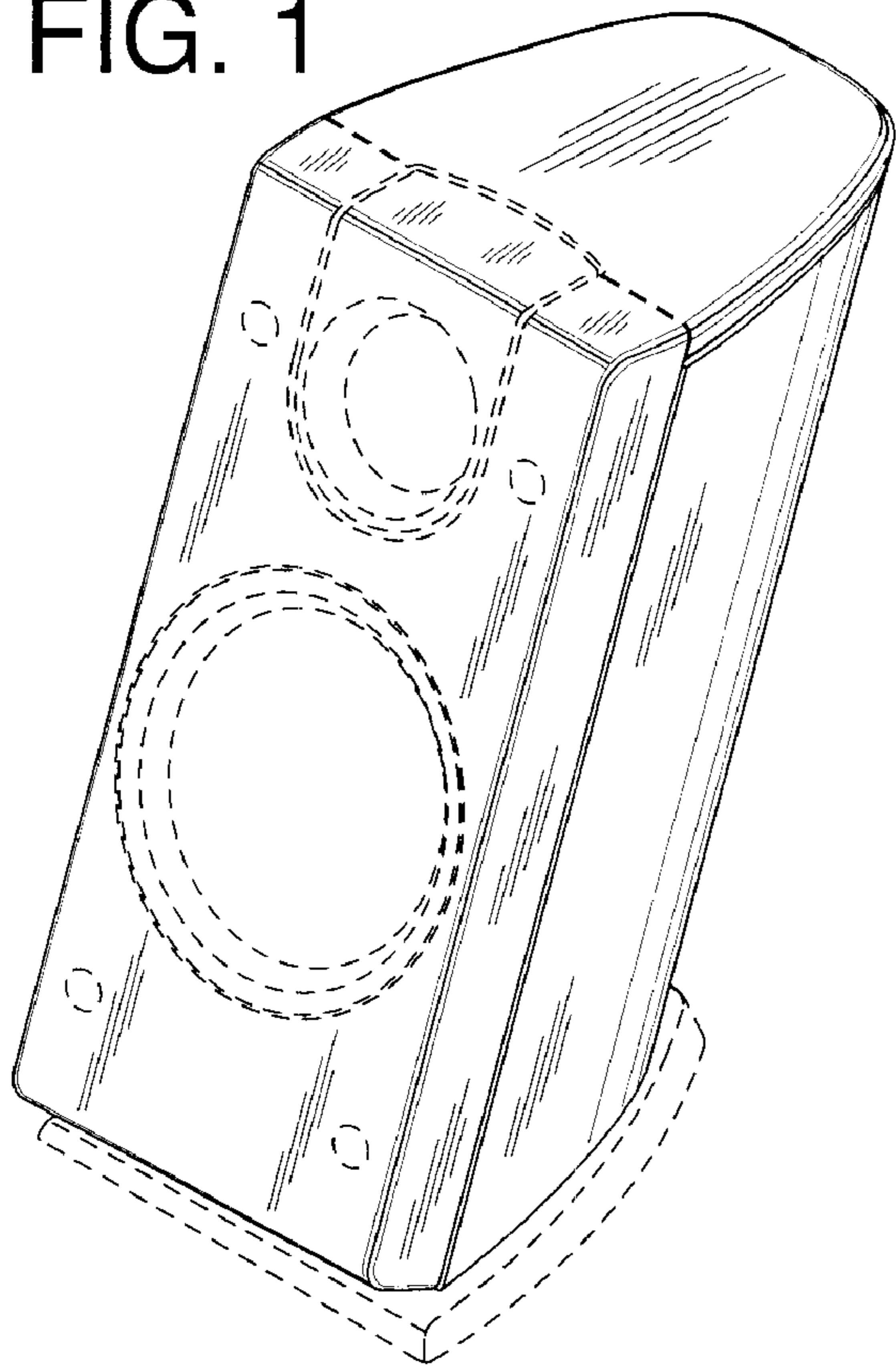


FIG. 2

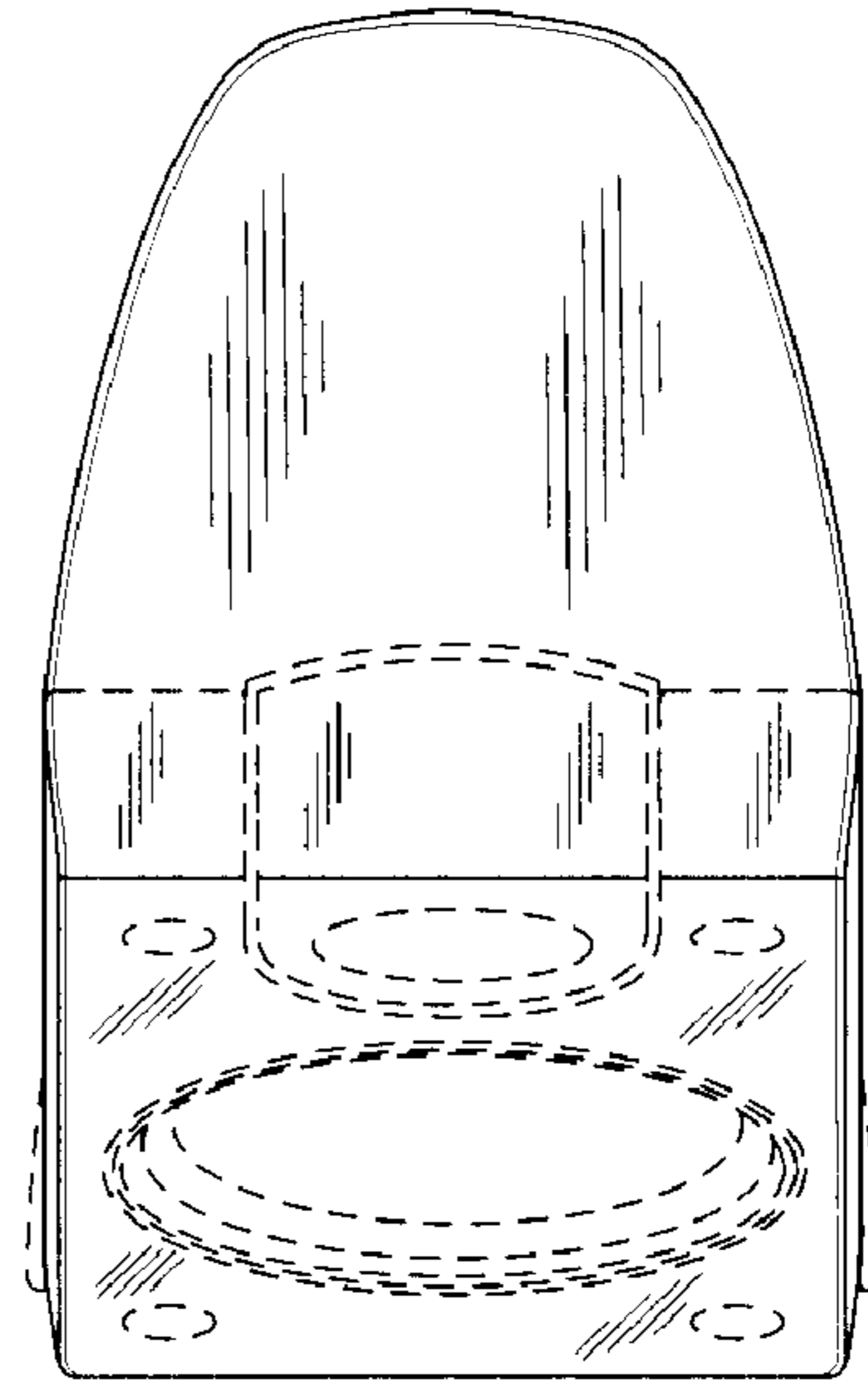


FIG. 3

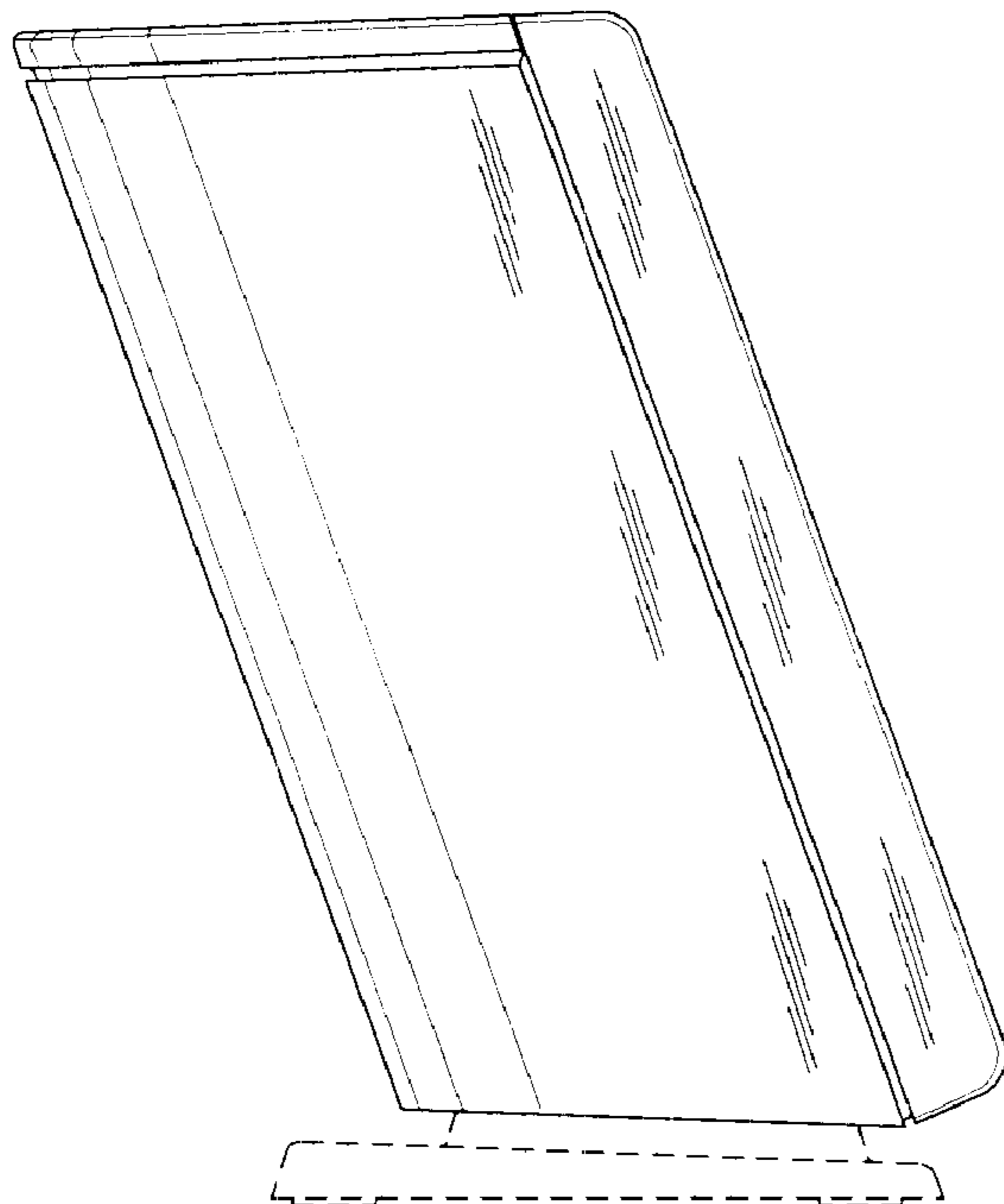


FIG. 4

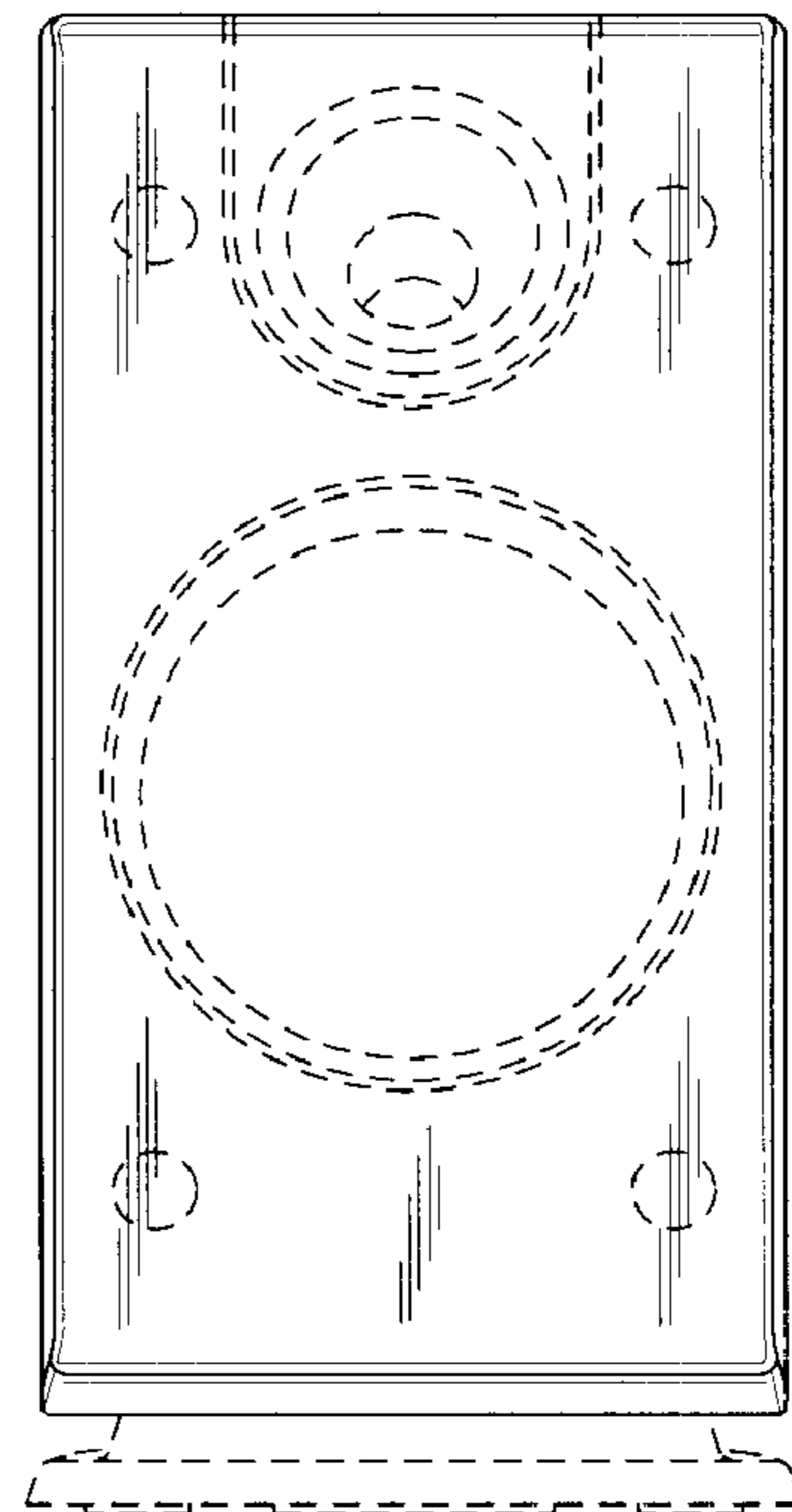


FIG. 5

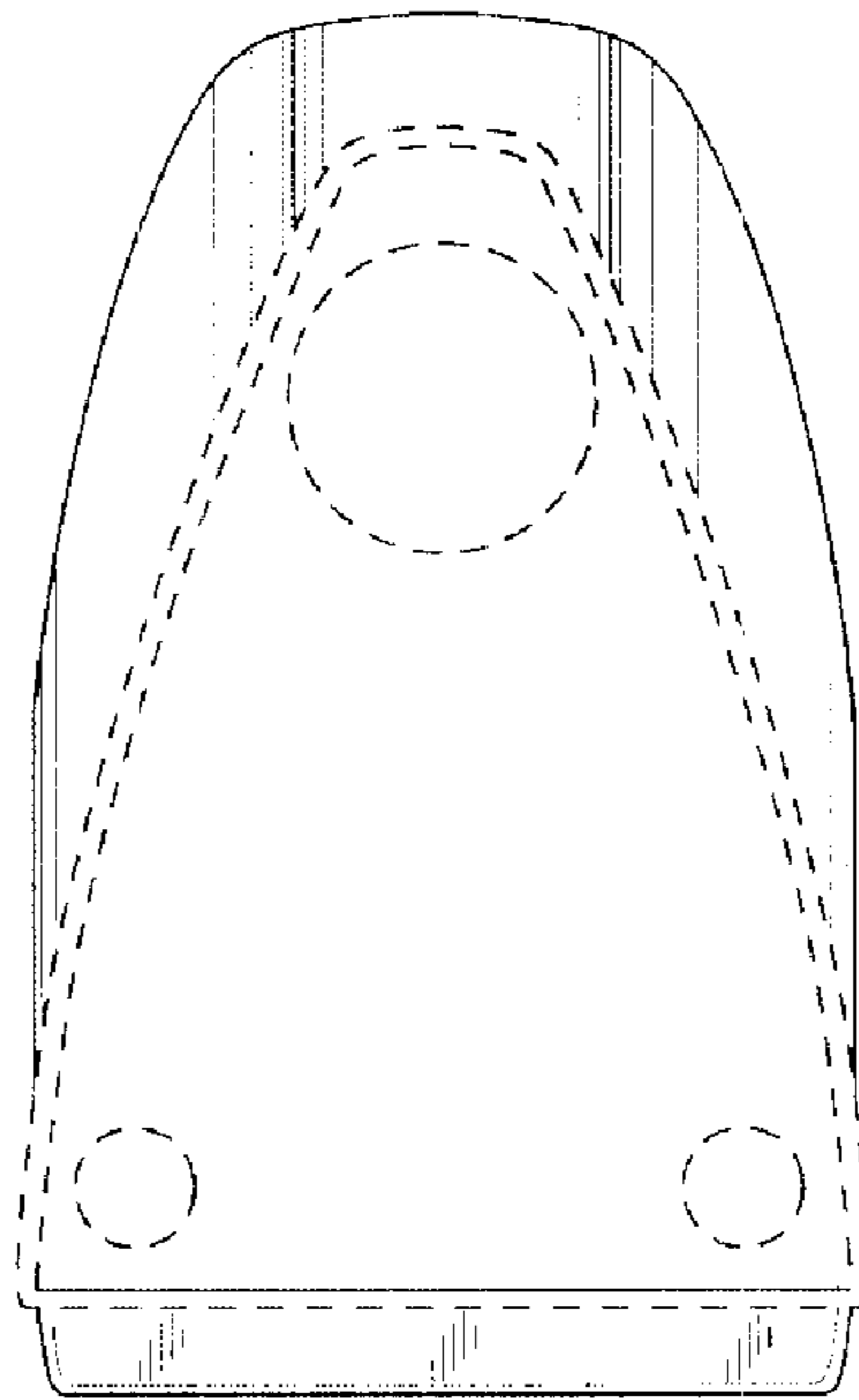


FIG. 6

