



US00D510569S

(12) **United States Design Patent**  
**Nakanishi**

(10) **Patent No.:** **US D510,569 S**

(45) **Date of Patent:** **\*\* Oct. 11, 2005**

(54) **TELEVISION SET WITH VIDEO TAPE  
RECORDER AND DISC PLAYER**

D445,769 S \* 7/2001 Takemoto et al. .... D14/129  
D462,335 S \* 9/2002 Serbinski et al. .... D14/129  
D496,012 S \* 9/2004 Goto ..... D14/129

(75) Inventor: **Hideaki Nakanishi, Fukui (JP)**

**OTHER PUBLICATIONS**

(73) Assignee: **Orion Electric Co., Ltd., Fukui (JP)**

Sony television training guide, cover, 1999.\*

(\*\*) Term: **14 Years**

\* cited by examiner

(21) Appl. No.: **29/206,896**

*Primary Examiner*—Raphael Barkai

(22) Filed: **Jun. 7, 2004**

(74) *Attorney, Agent, or Firm*—Wenderoth, Lind & Ponack,  
L.L.P.

(51) **LOC (8) Cl.** ..... **14-03**

(57) **CLAIM**

(52) **U.S. Cl.** ..... **D14/129**

The ornamental design for television set with video tape  
recorder and disc player, as shown.

(58) **Field of Search** ..... D14/125-134,  
D14/239, 371, 374-376; 312/7.2; 348/836,  
838, 180, 184, 325, 739; 341/12; 248/917-924;  
345/104, 133, 156, 168, 87, 173; 353/74

**DESCRIPTION**

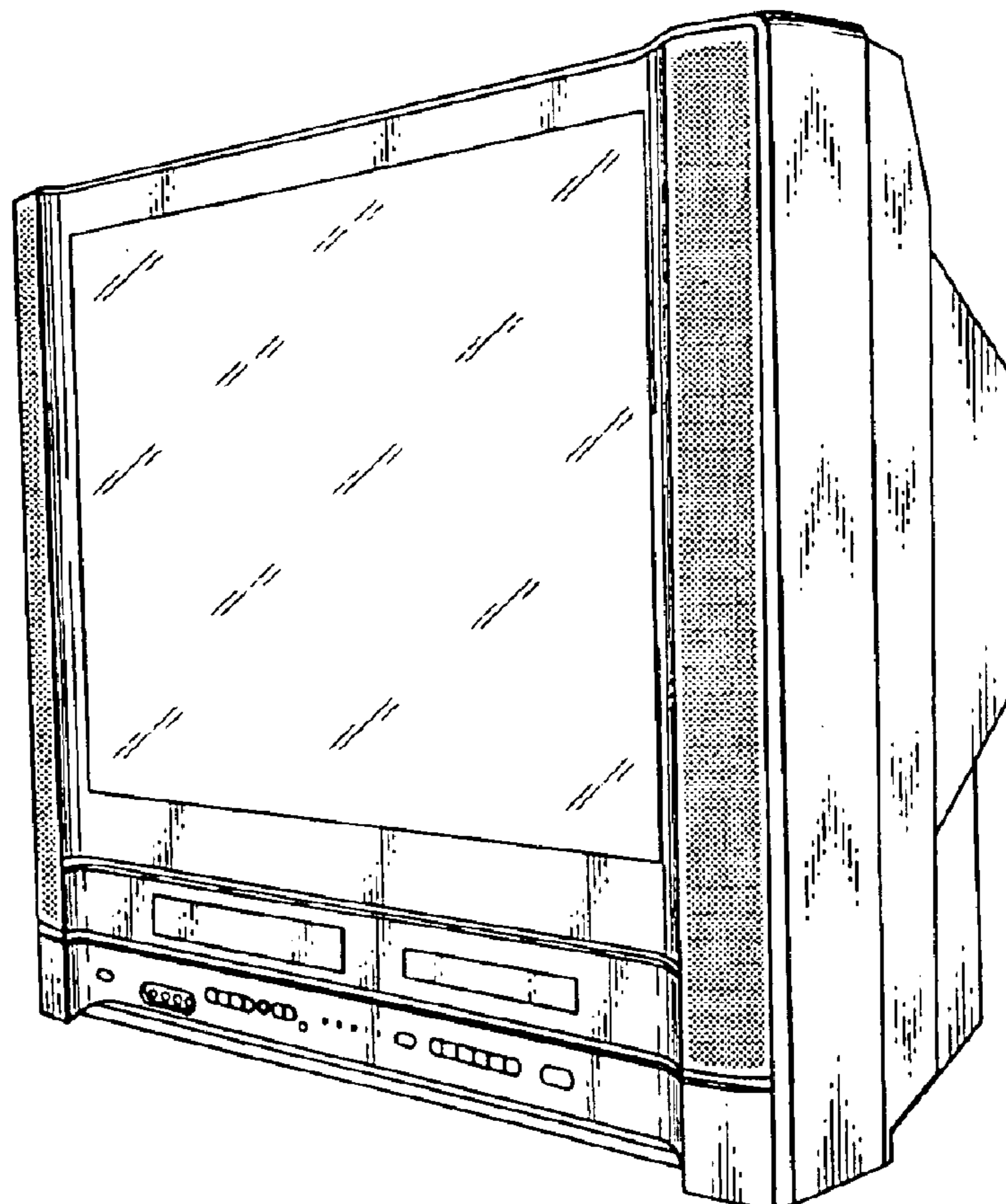
(56) **References Cited**

FIG. 1 is a perspective view of the television set with video  
tape recorder and disc player, showing my new design;  
FIG. 2 is a front elevational view thereof;  
FIG. 3 is a right side elevational view thereof;  
FIG. 4 is a top plan view thereof;  
FIG. 5 is a rear elevational view thereof; and,  
FIG. 6 is a bottom plan view thereof.

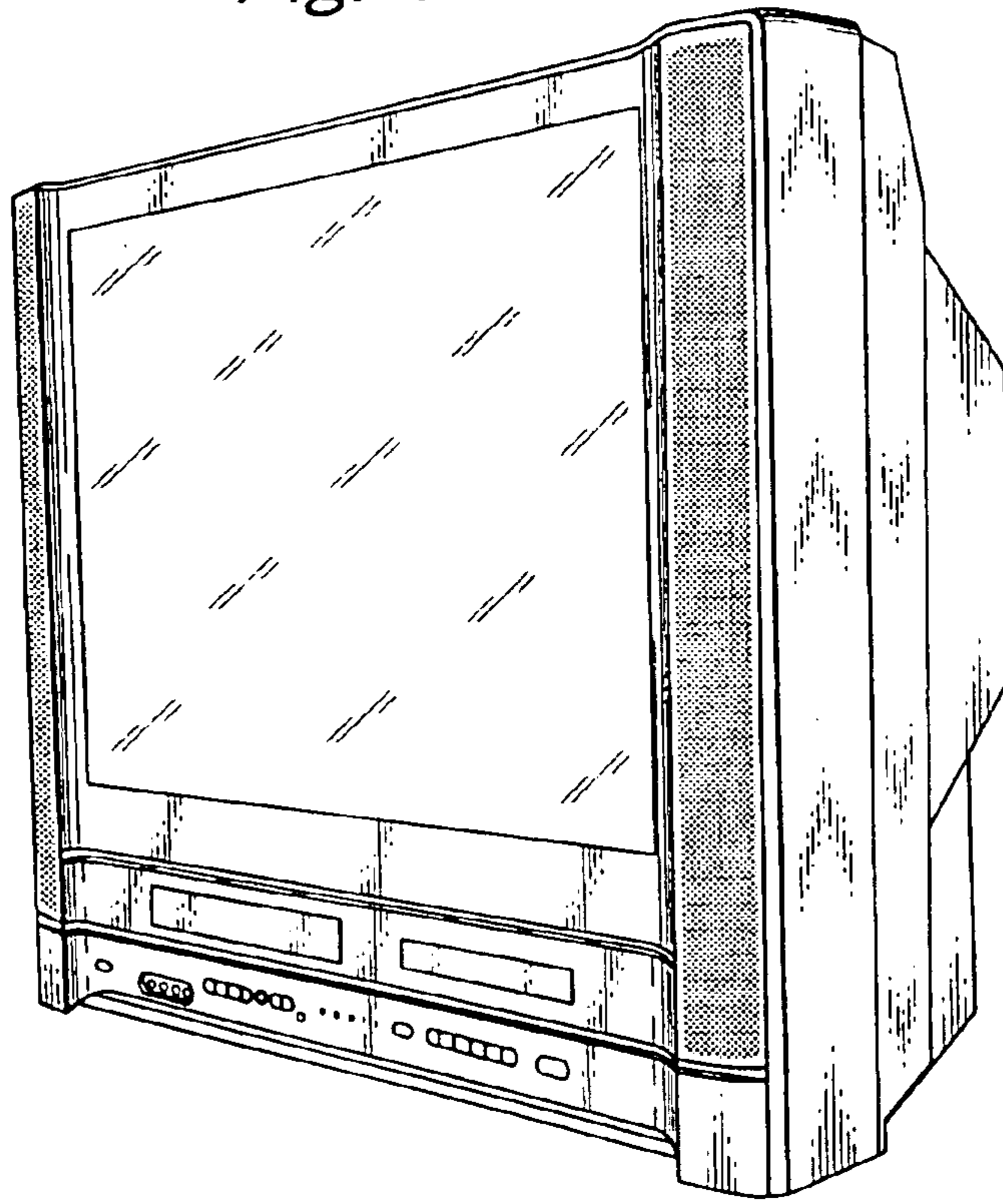
**U.S. PATENT DOCUMENTS**

D324,517 S \* 3/1992 Barbieri ..... D14/129  
D338,669 S \* 8/1993 Lee ..... D14/129  
D413,596 S \* 9/1999 Inoue et al. .... D14/126  
D415,754 S \* 10/1999 Tanigawa et al. .... D14/126  
D428,877 S \* 8/2000 Shimose et al. .... D14/239

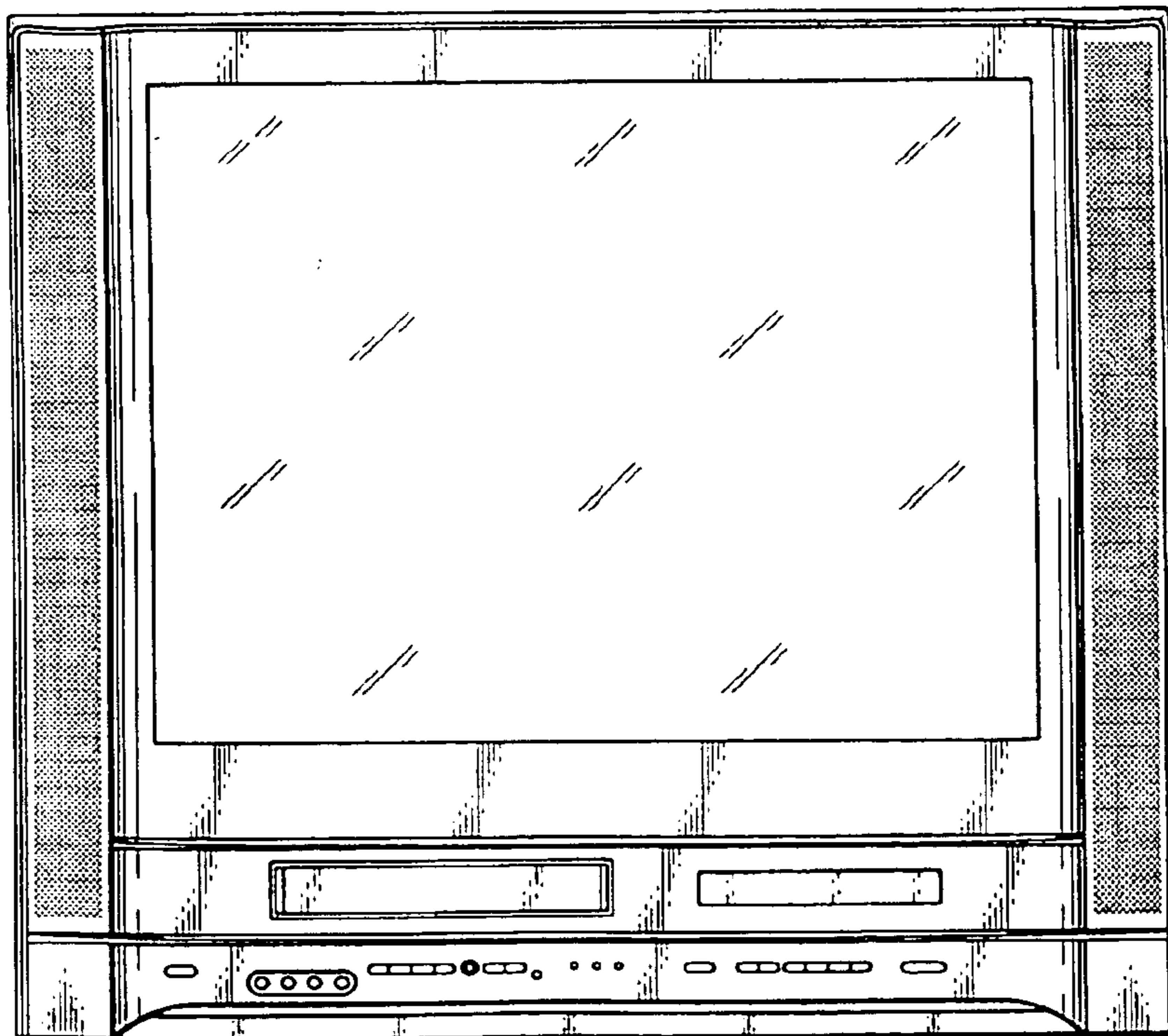
**1 Claim, 3 Drawing Sheets**



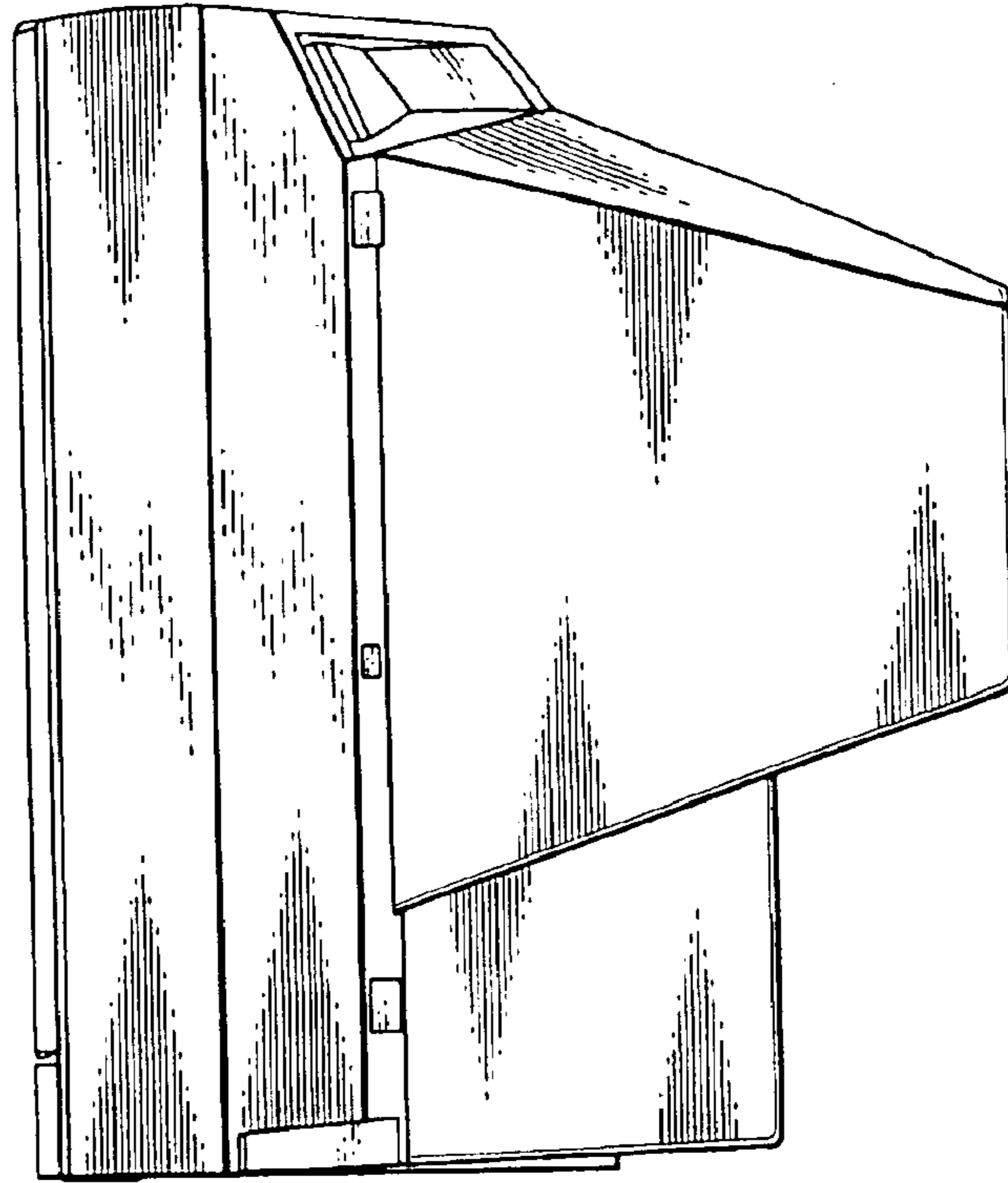
*Fig. 1*



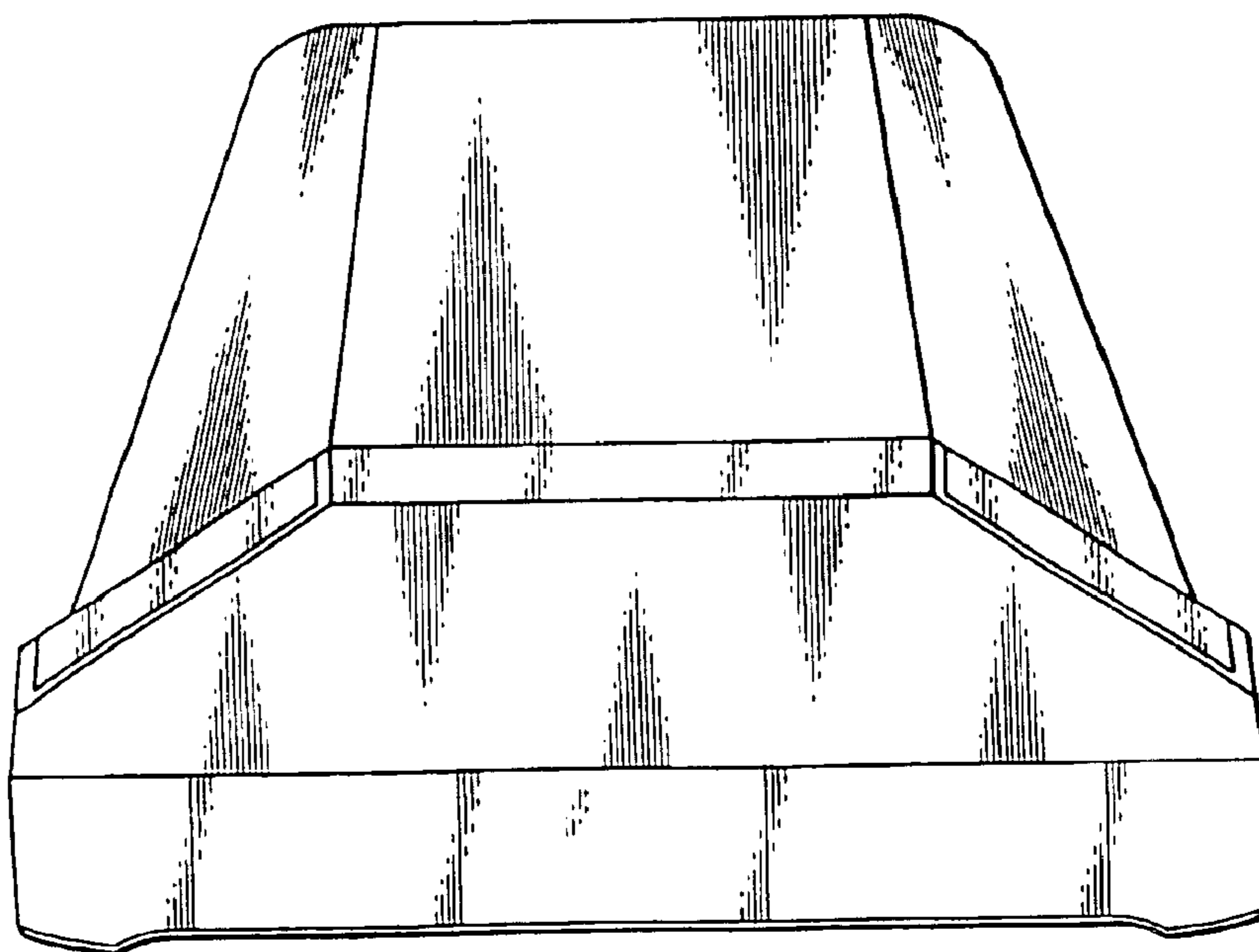
*Fig. 2*



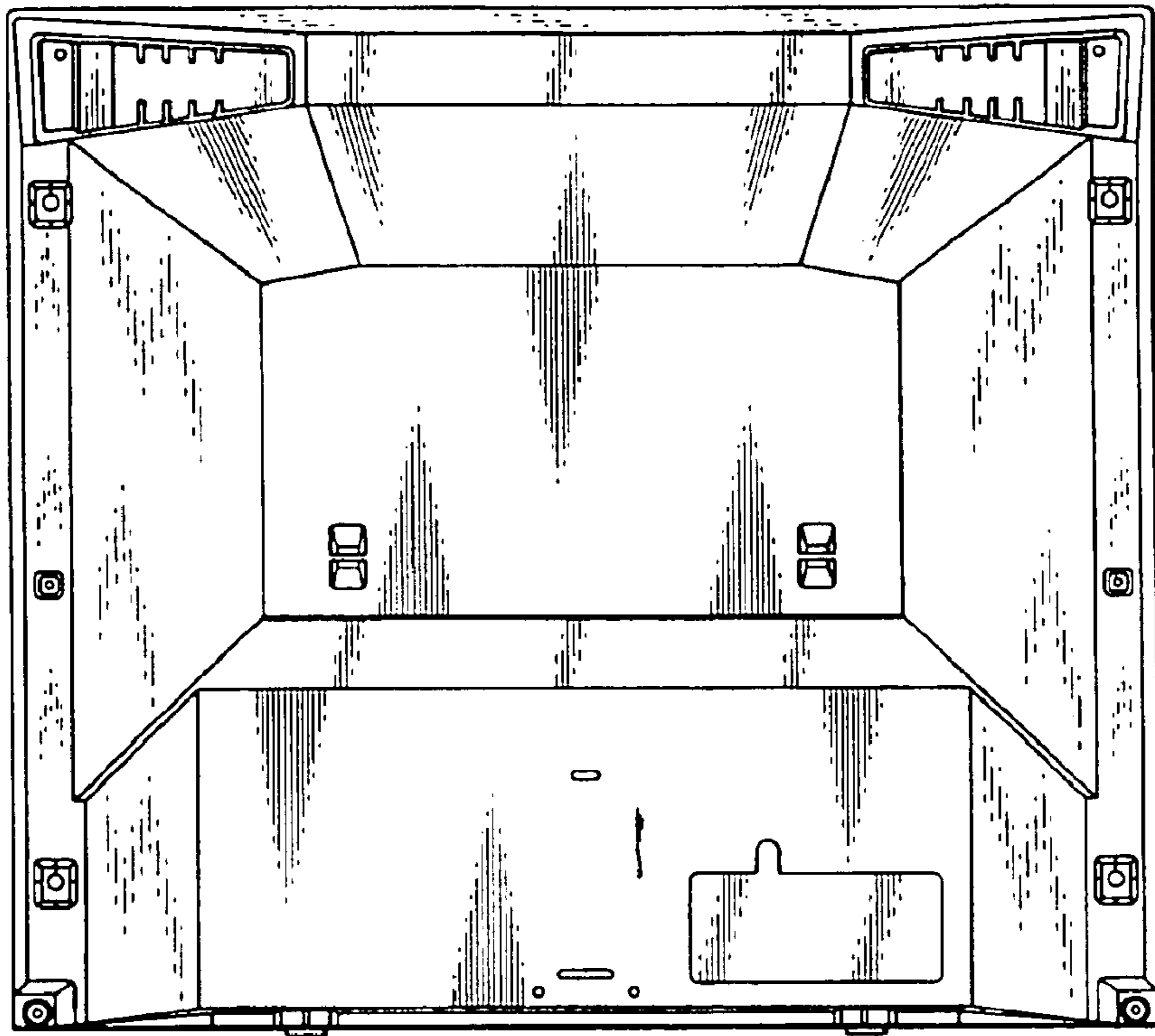
*Fig. 3*



*Fig. 4*



*Fig. 5*



*Fig. 6*

