



US00D510565S

(12) **United States Design Patent**
Huang

(10) **Patent No.:** **US D510,565 S**
(45) **Date of Patent:** **** Oct. 11, 2005**

(54) **ELECTRICAL CONNECTOR**
(75) Inventor: **Chien Hsun Huang**, Tu-chen (TW)
(73) Assignee: **Hon Hai Precision Ind. Co., Ltd.**,
Taipei Hsien (TW)

D476,952 S * 7/2003 Masaki D13/147
D480,052 S * 9/2003 Hisamatsu et al. D13/147
D492,256 S * 6/2004 Wu D13/147
D497,594 S * 10/2004 Hisamatsu et al. D13/147
D497,598 S * 10/2004 Kimura et al. D13/147

(**) Term: **14 Years**

* cited by examiner

(21) Appl. No.: **29/216,635**

Primary Examiner—Stella Reid

Assistant Examiner—Daniel Bui

(22) Filed: **Nov. 4, 2004**

(74) *Attorney, Agent, or Firm*—Wei Te Chung

(30) **Foreign Application Priority Data**

(57) **CLAIM**

May 28, 2004 (TW) 93303145

The ornamental design for an electrical connector, as shown.

(51) **LOC (8) Cl.** **13-03**

DESCRIPTION

(52) **U.S. Cl.** **D13/147**

FIG. 1 is a perspective view of an electrical connector showing my new design;

(58) **Field of Search** D13/146, 147,

FIG. 2 is a front elevational view thereof;

D13/184, 199; 439/62, 79, 108, 260, 329,
395, 422, 495, 499, 607

FIG. 3 is a rear elevational view thereof;

FIG. 4 is a left side elevational view thereof;

(56) **References Cited**

FIG. 5 is a right side elevational view thereof;

U.S. PATENT DOCUMENTS

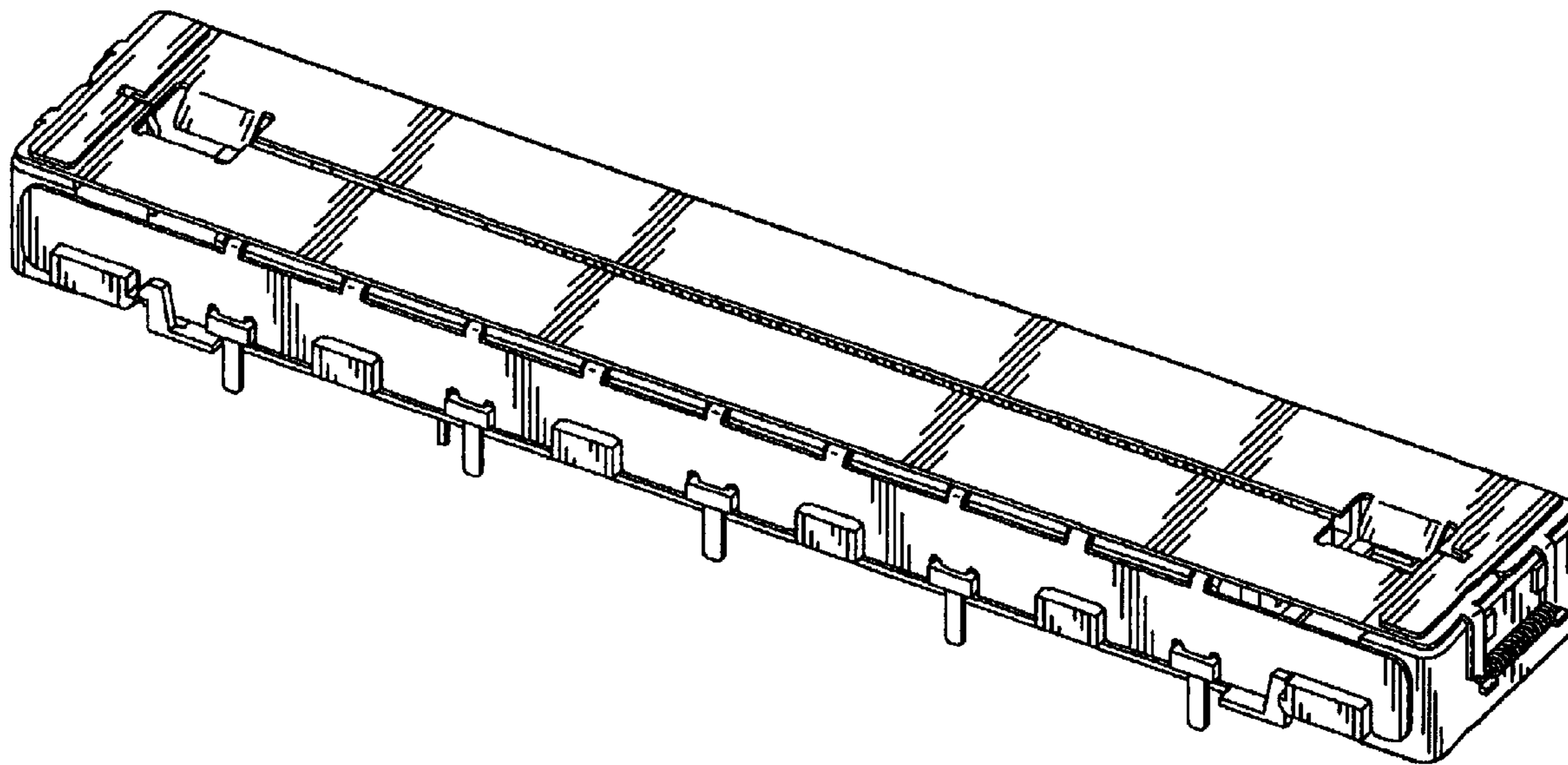
FIG. 6 is a top plan view thereof; and,

FIG. 7 is a bottom plan view thereof.

D416,863 S * 11/1999 Sato et al. D13/147

D455,400 S * 4/2002 Hisatomi et al. D13/147

1 Claim, 6 Drawing Sheets



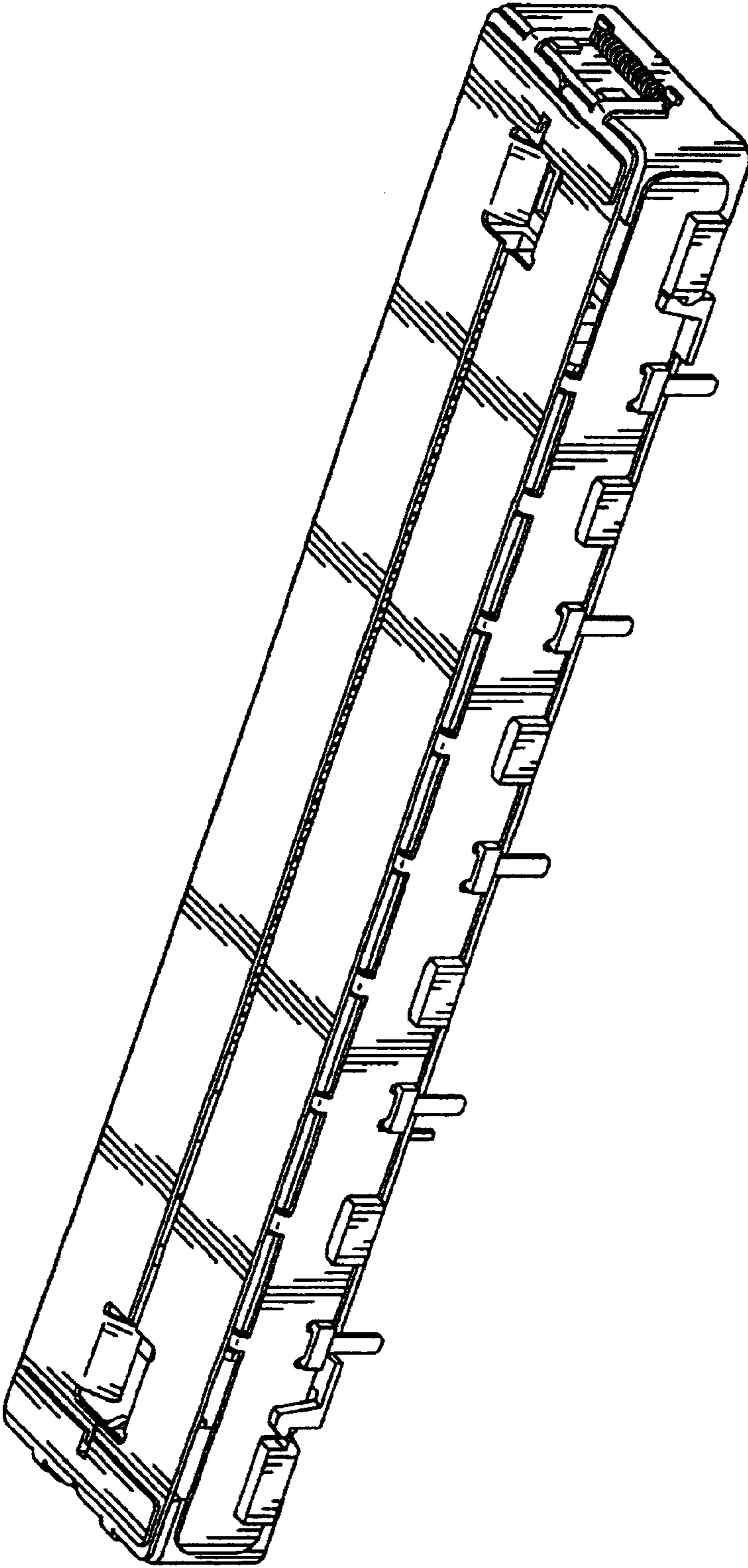


FIG. 1

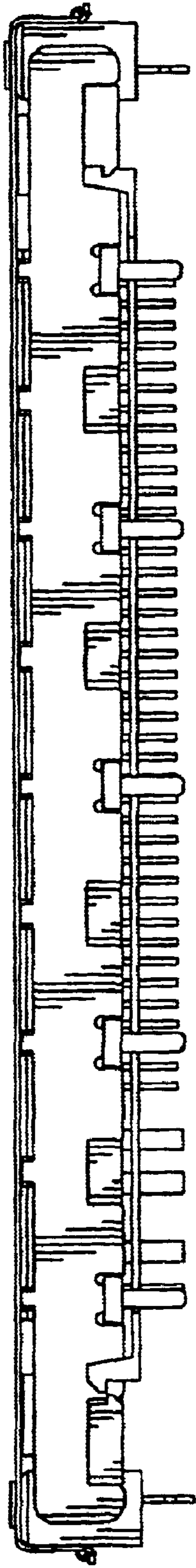


FIG. 2

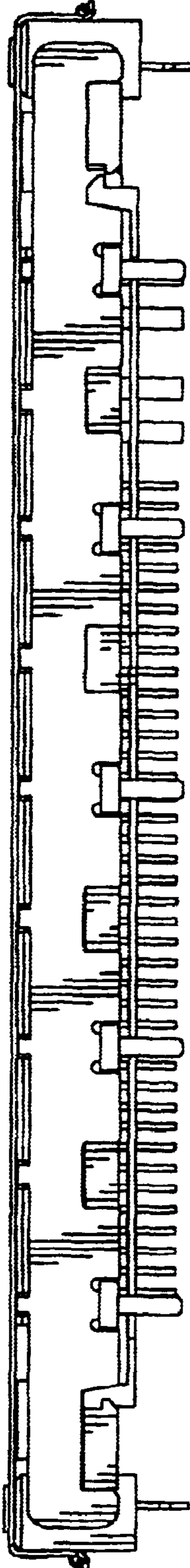


FIG. 3

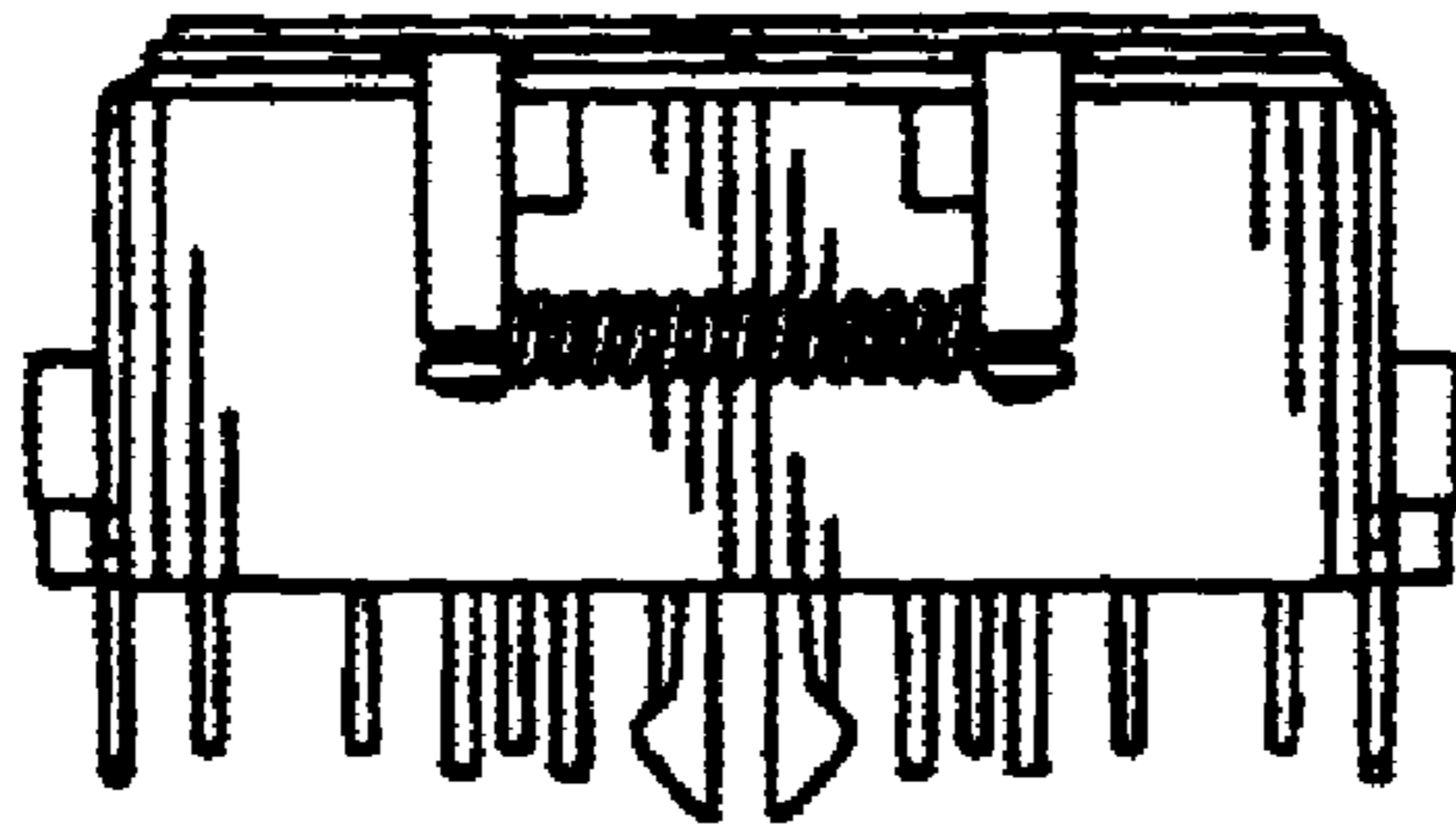


FIG. 4

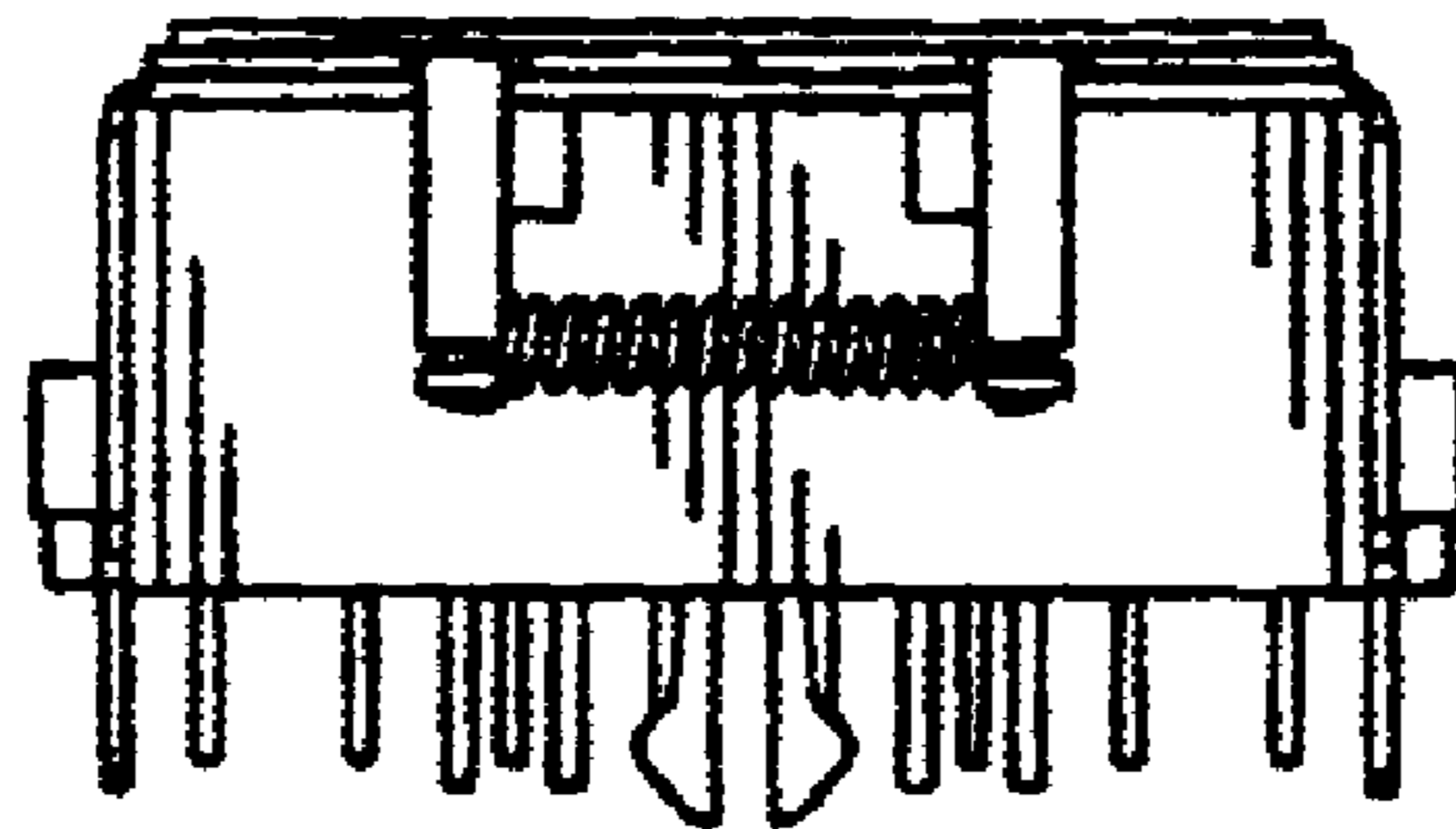


FIG. 5

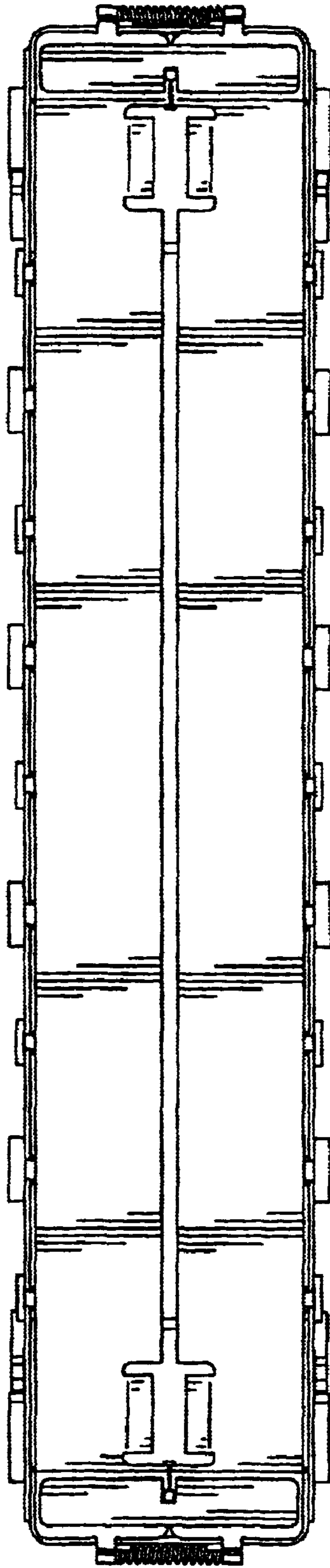


FIG. 6

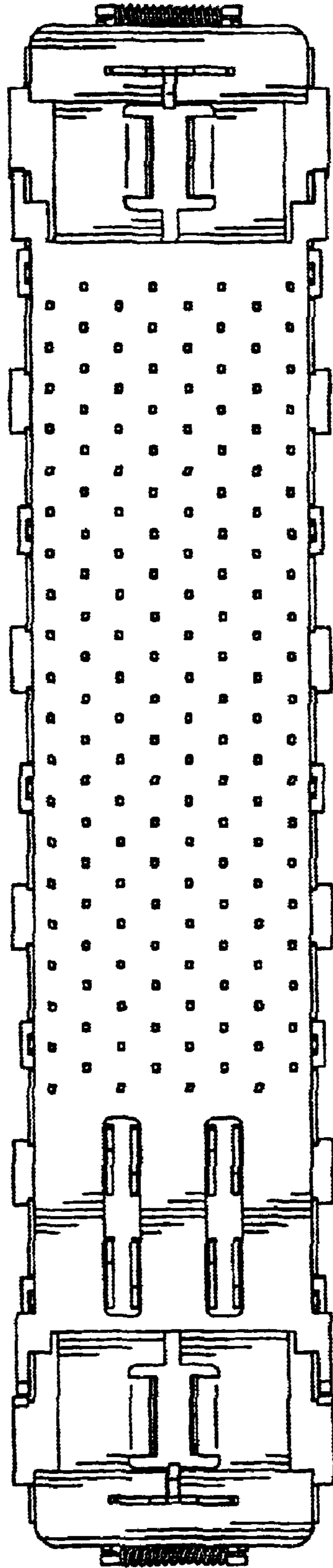


FIG. 7