

US00D510563S

(12) **United States Design Patent**
Farzan

(10) **Patent No.:** **US D510,563 S**
(45) **Date of Patent:** **** Oct. 11, 2005**

(54) **TRANSFORMER BOX FOR USE WITH TRACK LIGHTING**

(75) **Inventor:** **Fred Farzan**, Beverly Hills, CA (US)

(73) **Assignee:** **Nora Lighting, Inc.**, Commerce, CA (US)

(**) **Term:** **14 Years**

(21) **Appl. No.:** **29/198,961**

(22) **Filed:** **Feb. 9, 2004**

(51) **LOC (8) Cl.** **13-02**

(52) **U.S. Cl.** **D13/110**

(58) **Field of Search** D13/101, 110-111, D13/118, 184, 199; D26/60, 71; 362/270, 275, 277-278, 281, 283-286, 289, 401-402, 423

(56) **References Cited**

U.S. PATENT DOCUMENTS

D264,206 S * 5/1982 Heritage D13/133
D290,524 S * 6/1987 Kusmer D13/110

D292,235 S * 10/1987 Roos D26/65
D394,241 S * 5/1998 Wachter et al. D13/110
D457,125 S * 5/2002 Heinen D12/550
D475,479 S * 6/2003 Lin D26/64
D493,138 S * 7/2004 Jiang D13/110

* cited by examiner

Primary Examiner—Stella Reid

Assistant Examiner—Daniel Bui

(74) *Attorney, Agent, or Firm*—Edgar W. Averill, Jr.

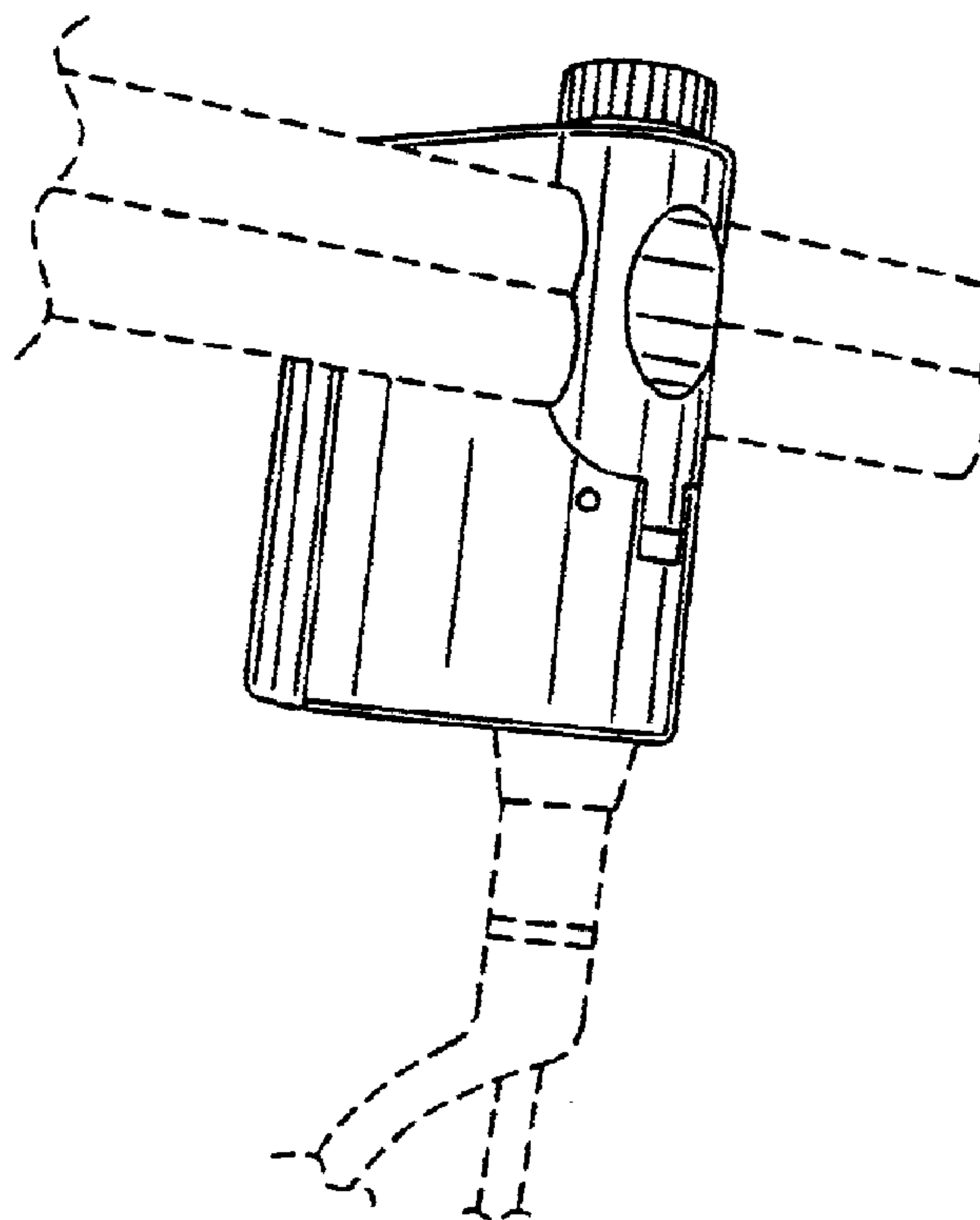
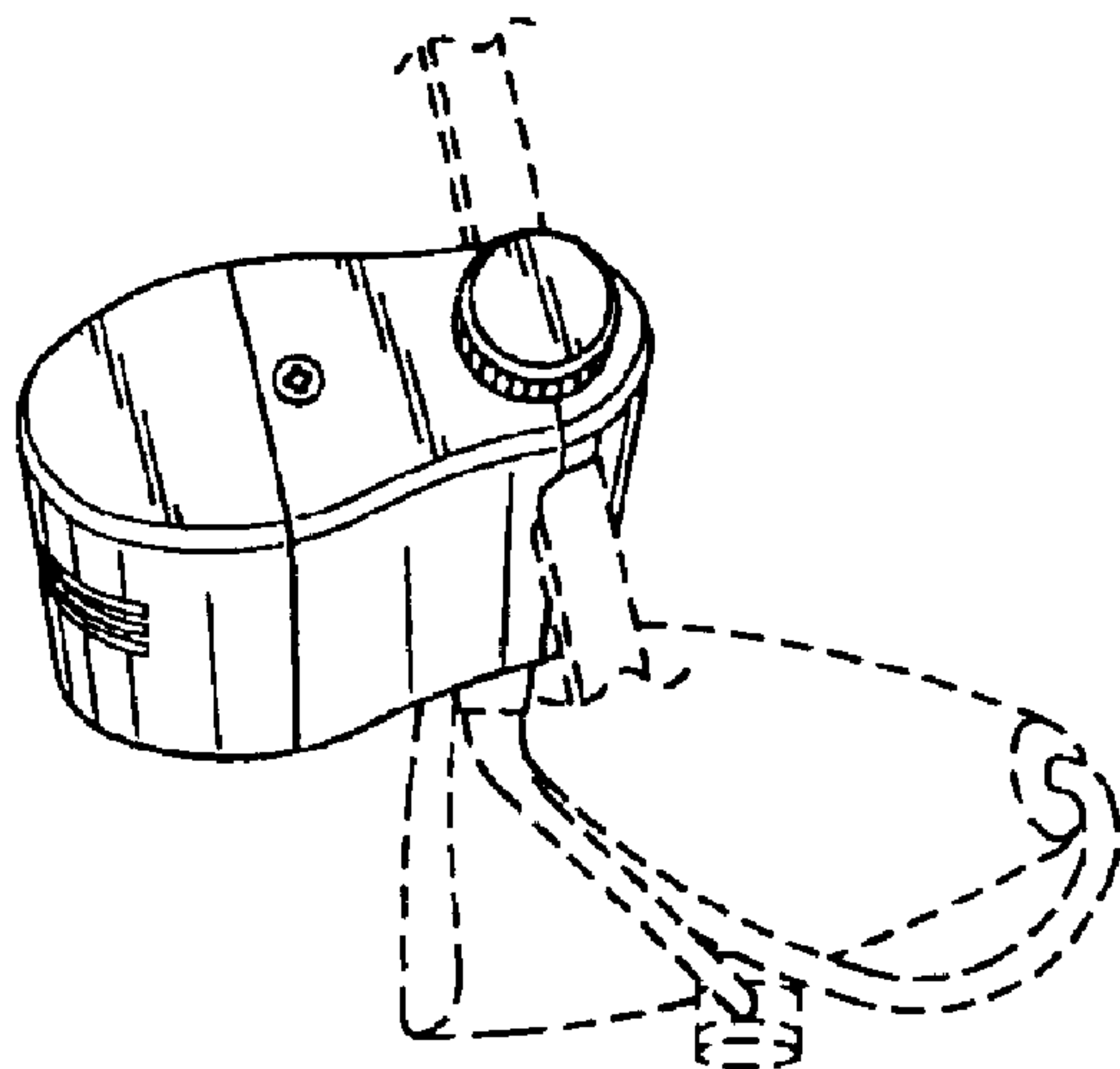
(57) **CLAIM**

The ornamental design for a transformer box for use with track lighting, as shown and described.

DESCRIPTION

FIG. 1 is a front elevation view of a transformer box for use with track lighting showing my new design; FIG. 2 is a top and right side perspective view thereof; FIG. 3 is a rear and right side perspective view thereof; and, FIG. 4 is a bottom and left side perspective view thereof. The broken line showing the environment is for illustrative purposes only and forms no part of the claimed design.

1 Claim, 2 Drawing Sheets



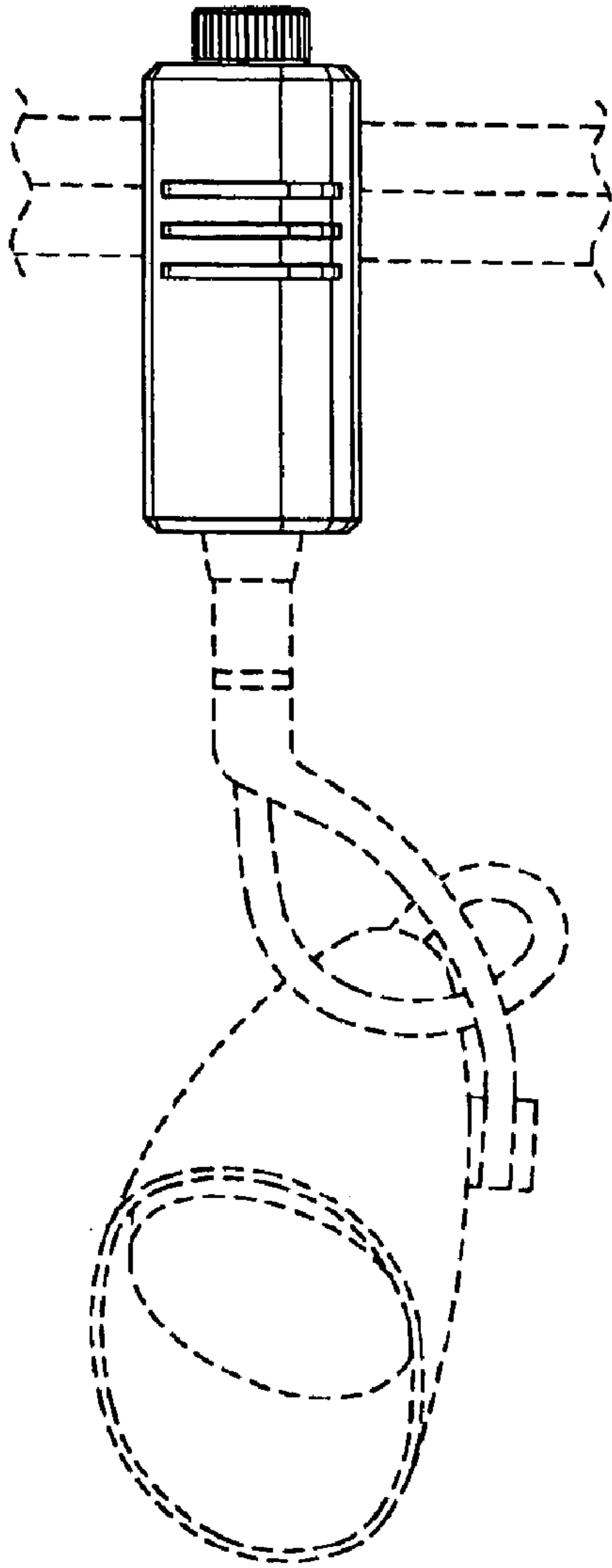


FIG. 1

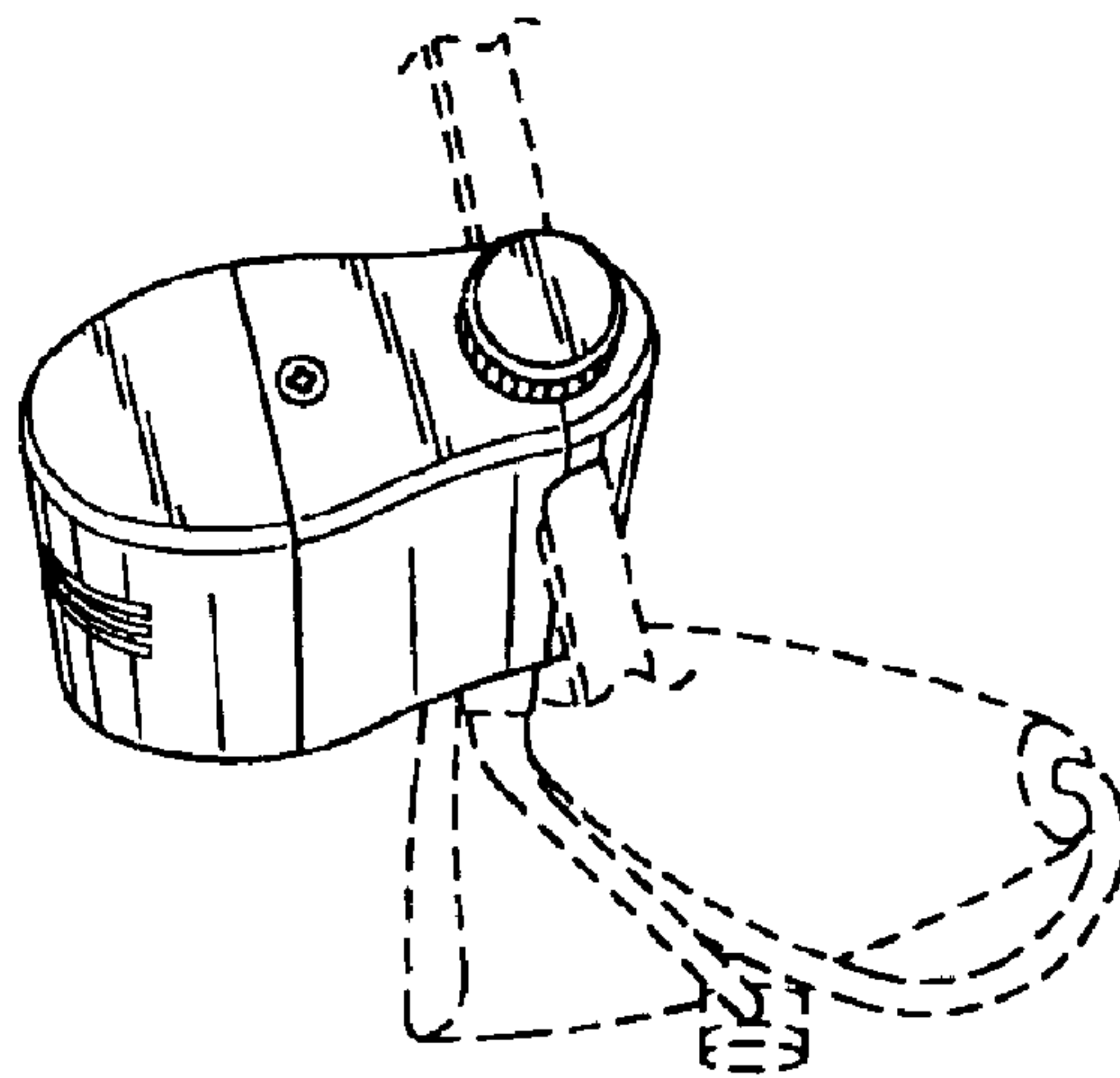


FIG. 2

FIG. 3

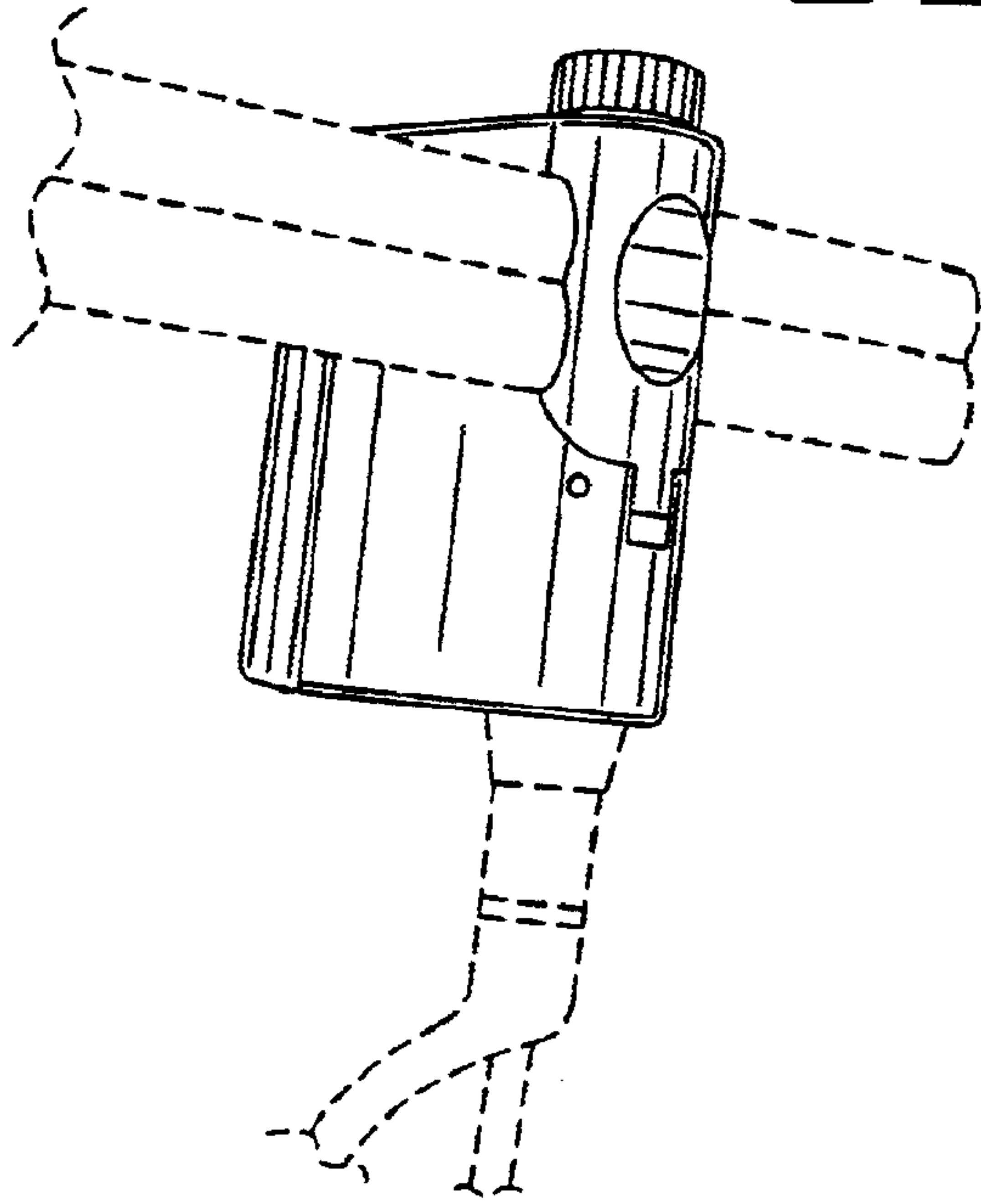


FIG. 4

