



US00D510555S

(12) **United States Design Patent**
Fowlkes

(10) **Patent No.:** **US D510,555 S**
(45) **Date of Patent:** **** Oct. 11, 2005**

- (54) **WHEEL**
- (75) **Inventor:** **David Fowlkes**, Norristown, PA (US)
- (73) **Assignee:** **The Rhegos Group, LLC**, Devon, PA (US)
- (**) **Term:** **14 Years**
- (21) **Appl. No.:** **29/192,854**
- (22) **Filed:** **Oct. 31, 2003**
- (51) **LOC (8) Cl.** **12-16**
- (52) **U.S. Cl.** **D12/211**
- (58) **Field of Search** D12/204-213;
301/37.101, 64.101, 65

- D474,440 S * 5/2003 Oh D12/211
- D476,282 S 6/2003 Kataoka
- D480,032 S 9/2003 Muzzarelli
- D481,347 S 10/2003 Kang
- D481,982 S 11/2003 Takechi
- D481,985 S 11/2003 Cahyono
- D484,838 S 1/2004 Tai
- D485,796 S 1/2004 Foose
- D486,108 S 2/2004 Min
- D486,770 S 2/2004 Pollmann
- D487,043 S 2/2004 McMath
- D487,046 S 2/2004 Yamagishi
- D492,240 S * 6/2004 Suciu D12/211
- D494,523 S * 8/2004 Koenigsberg D12/209

* cited by examiner

Primary Examiner—Stacia Cadmus
(74) *Attorney, Agent, or Firm*—Blank Rome LLP

(56) **References Cited**
U.S. PATENT DOCUMENTS

- D398,573 S 9/1998 Cattaneo
- D445,392 S 7/2001 Chung
- D450,030 S * 11/2001 Pfeiffer D12/211
- D454,107 S * 3/2002 Chung D12/211
- D455,699 S 4/2002 Chung
- D458,571 S 6/2002 Maifrini
- D459,692 S 7/2002 Vian
- D464,306 S 10/2002 Chung
- D466,070 S * 11/2002 Lee D12/211
- D471,500 S 3/2003 Kataoka
- D471,852 S * 3/2003 Pfeiffer et al. D12/211

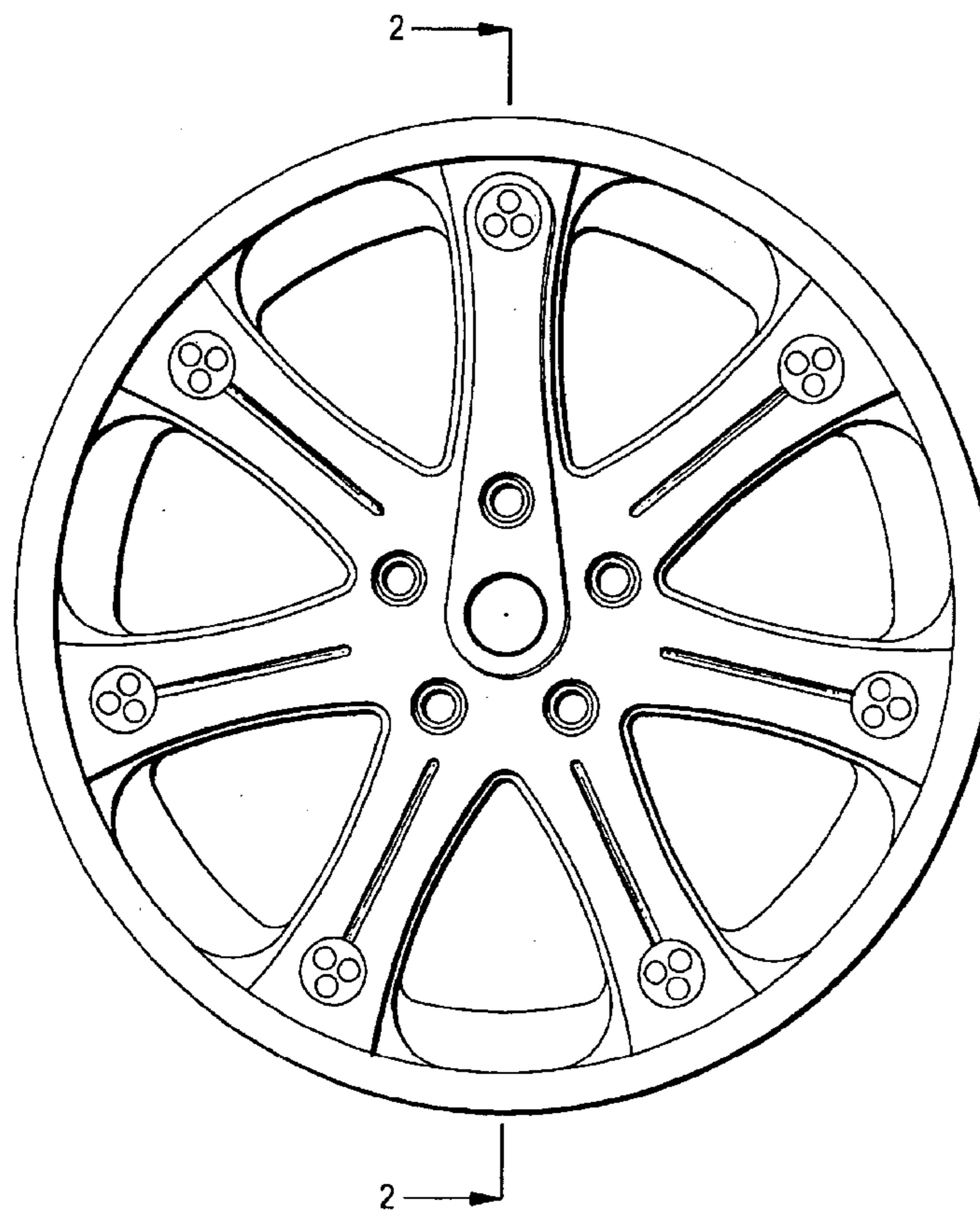
(57) **CLAIM**

I claim the ornamental design for the wheel, as shown and described.

DESCRIPTION

FIG. 1 is a front elevational view of a wheel of the present design, showing a spinner attached to the wheel; and, FIG. 2 is a section view of the wheel illustrated in FIG. 1 taken along line 2—2.

1 Claim, 1 Drawing Sheet



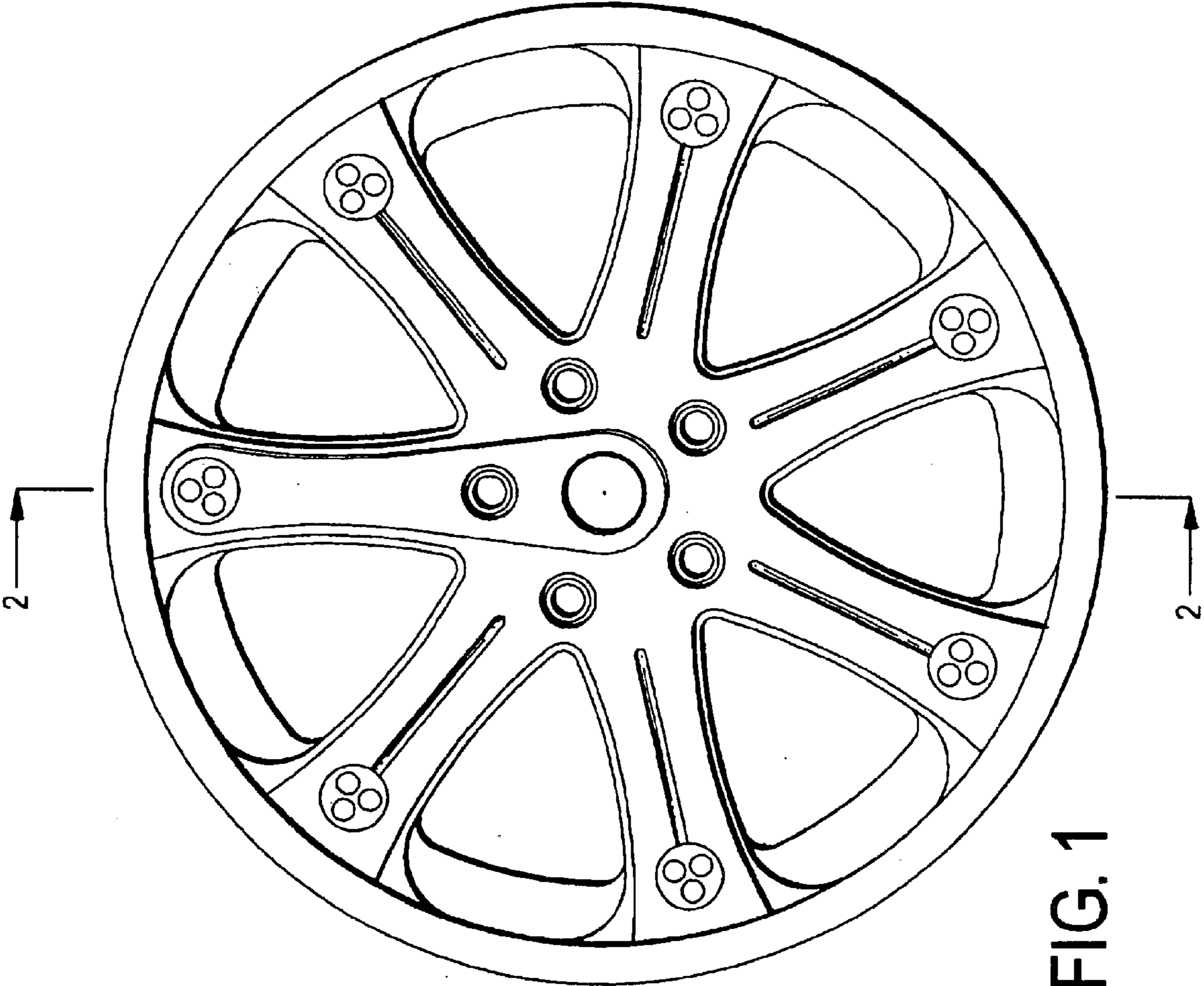


FIG. 1

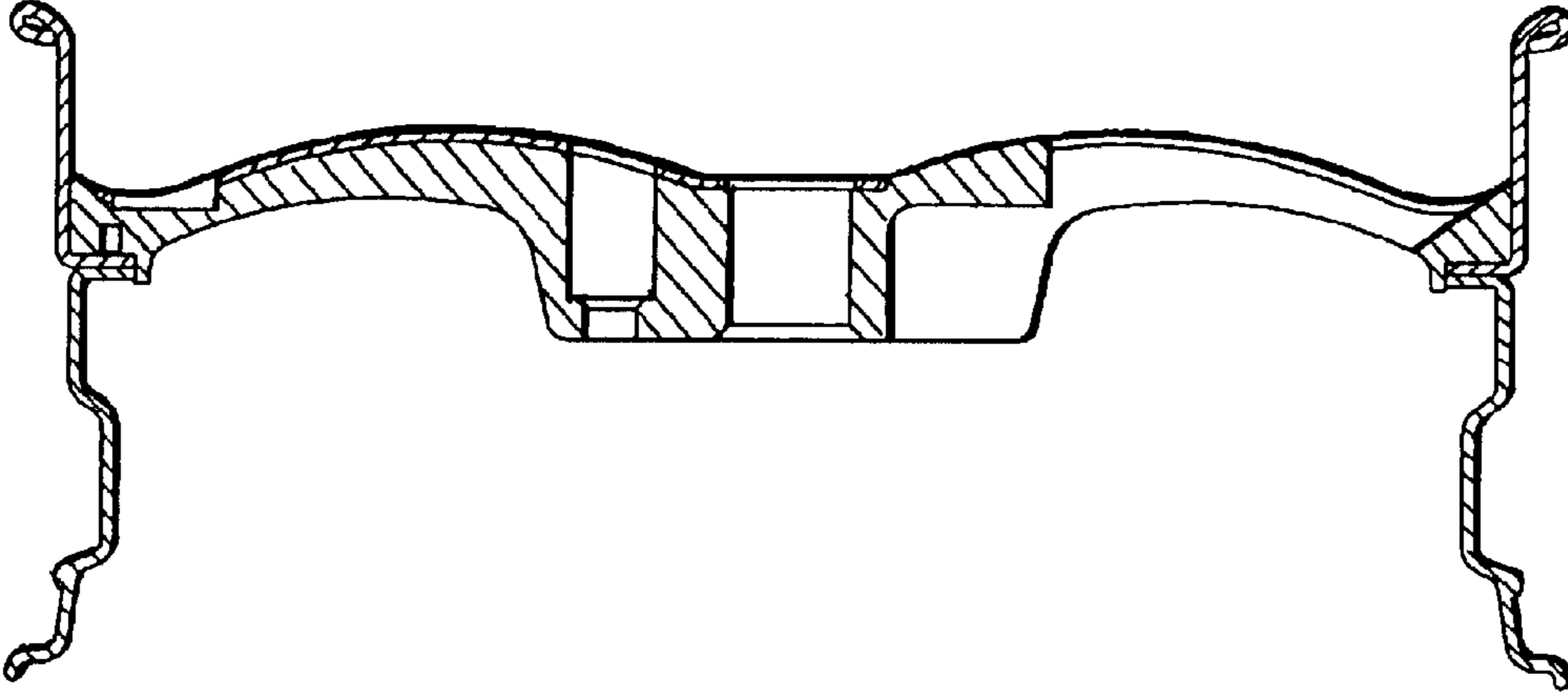


FIG. 2