



US00D510554S

(12) **United States Design Patent**
Markefka

(10) **Patent No.: US D510,554 S**
(45) **Date of Patent: ** Oct. 11, 2005**

(54) **FRONT FACE OF A VEHICLE WHEEL**

(75) **Inventor: Marc Michael Markefka, Munich (DE)**

(73) **Assignee: Bayerische Motoren Werke Aktiengesellschaft, Munich (DE)**

(**) **Term: 14 Years**

(21) **Appl. No.: 29/188,665**

(22) **Filed: Aug. 22, 2003**

(30) **Foreign Application Priority Data**

Feb. 25, 2003 (DE) 4 03 01 698

(51) **LOC (8) Cl. 12-16**

(52) **U.S. Cl. D12/211**

(58) **Field of Search D12/204-213;
301/37.101, 64.101, 65**

(56) **References Cited**

U.S. PATENT DOCUMENTS

- D380,432 S * 7/1997 Hettler D12/209
- D412,692 S * 8/1999 Hussaini D12/209
- D421,417 S * 3/2000 Weidhase D12/209
- D428,846 S * 8/2000 Yoshida et al. D12/211
- D429,681 S * 8/2000 Cullen D12/211
- D432,974 S * 10/2000 Jablonski D12/211

- D433,659 S * 11/2000 Frizzi D12/211
- D451,463 S * 12/2001 Murkett et al. D12/209
- D459,689 S * 7/2002 Hieke D12/211
- D469,048 S * 1/2003 van Hooydonk D12/209
- D475,674 S * 6/2003 Baumgartner D12/211
- D481,663 S * 11/2003 Maifrini D12/211
- D487,046 S * 2/2004 Yamagishi D12/209
- D487,418 S * 3/2004 Hieke D12/211
- D491,872 S * 6/2004 Lai D12/211
- D494,917 S * 8/2004 Pollmann D12/211

FOREIGN PATENT DOCUMENTS

WO DM/061259 10/2002

* cited by examiner

Primary Examiner—Stacia Cadmus

(74) *Attorney, Agent, or Firm*—Crowell & Moring LLP

(57) **CLAIM**

The ornamental design for a front face of a vehicle wheel, as shown and described.

DESCRIPTION

FIG. 1 is a front view of a front face of a vehicle wheel according to my novel design; and,

FIG. 2 is a perspective view of the front face of a vehicle wheel according to my novel design.

1 Claim, 1 Drawing Sheet

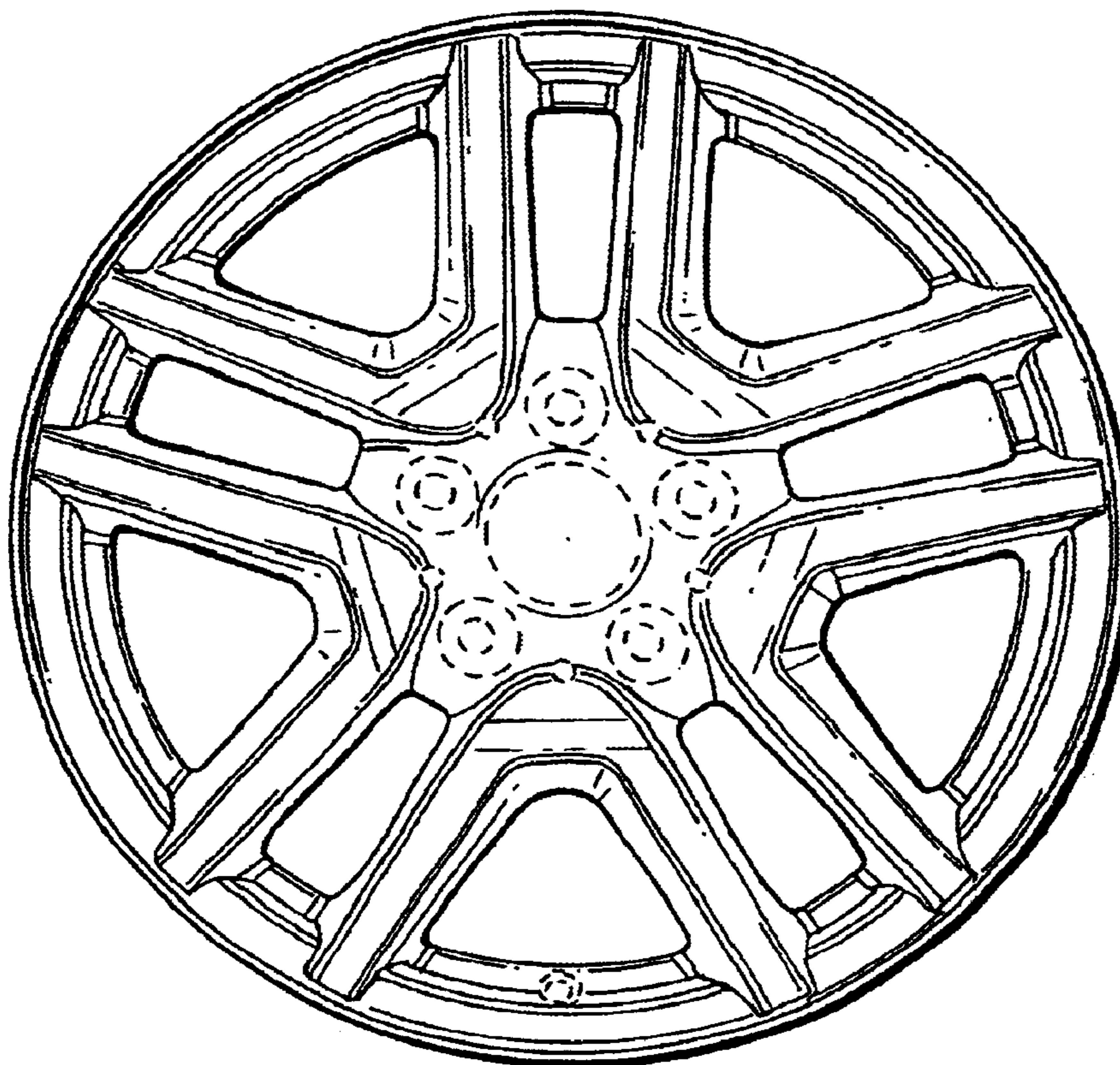


Fig. 1

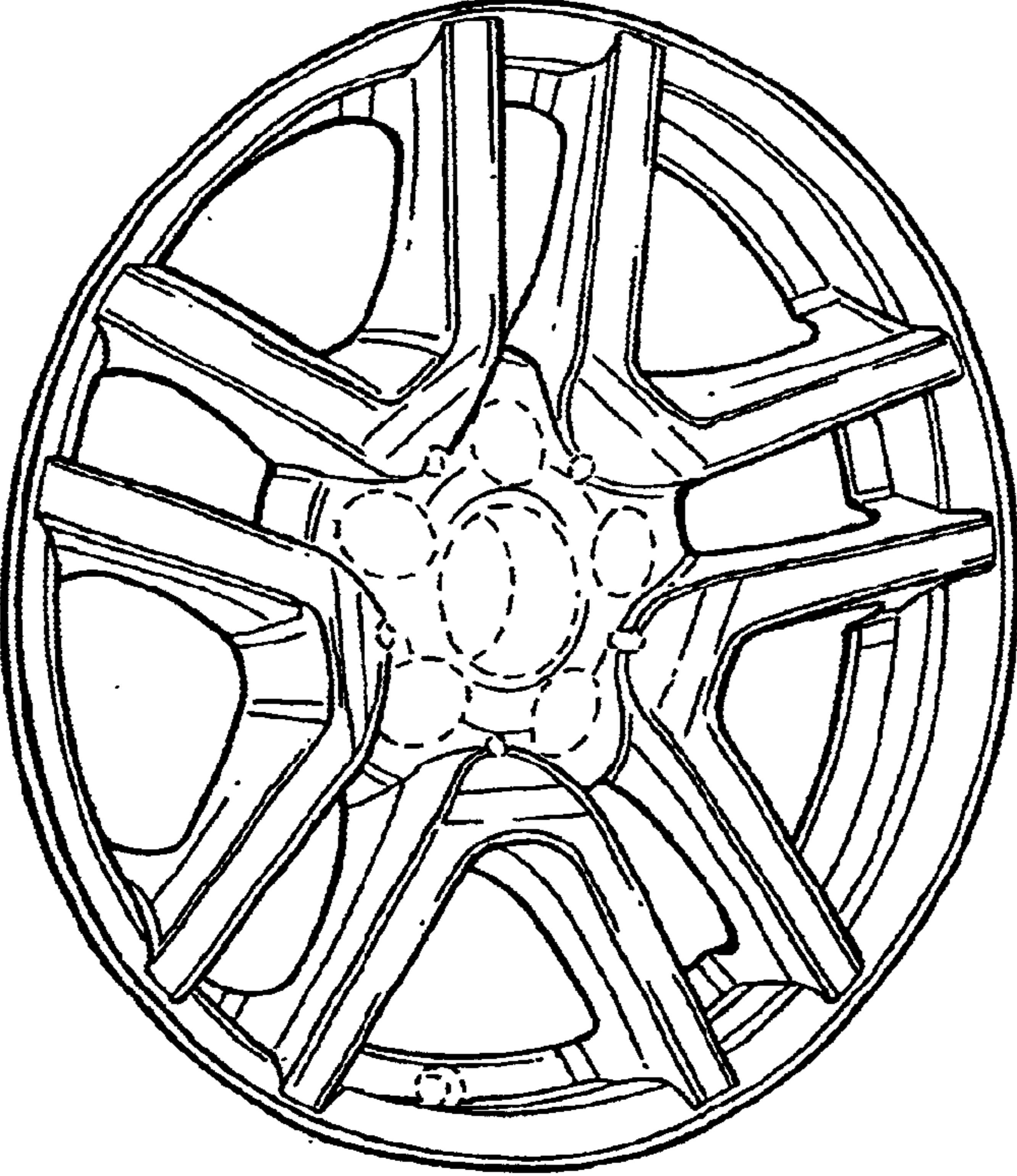
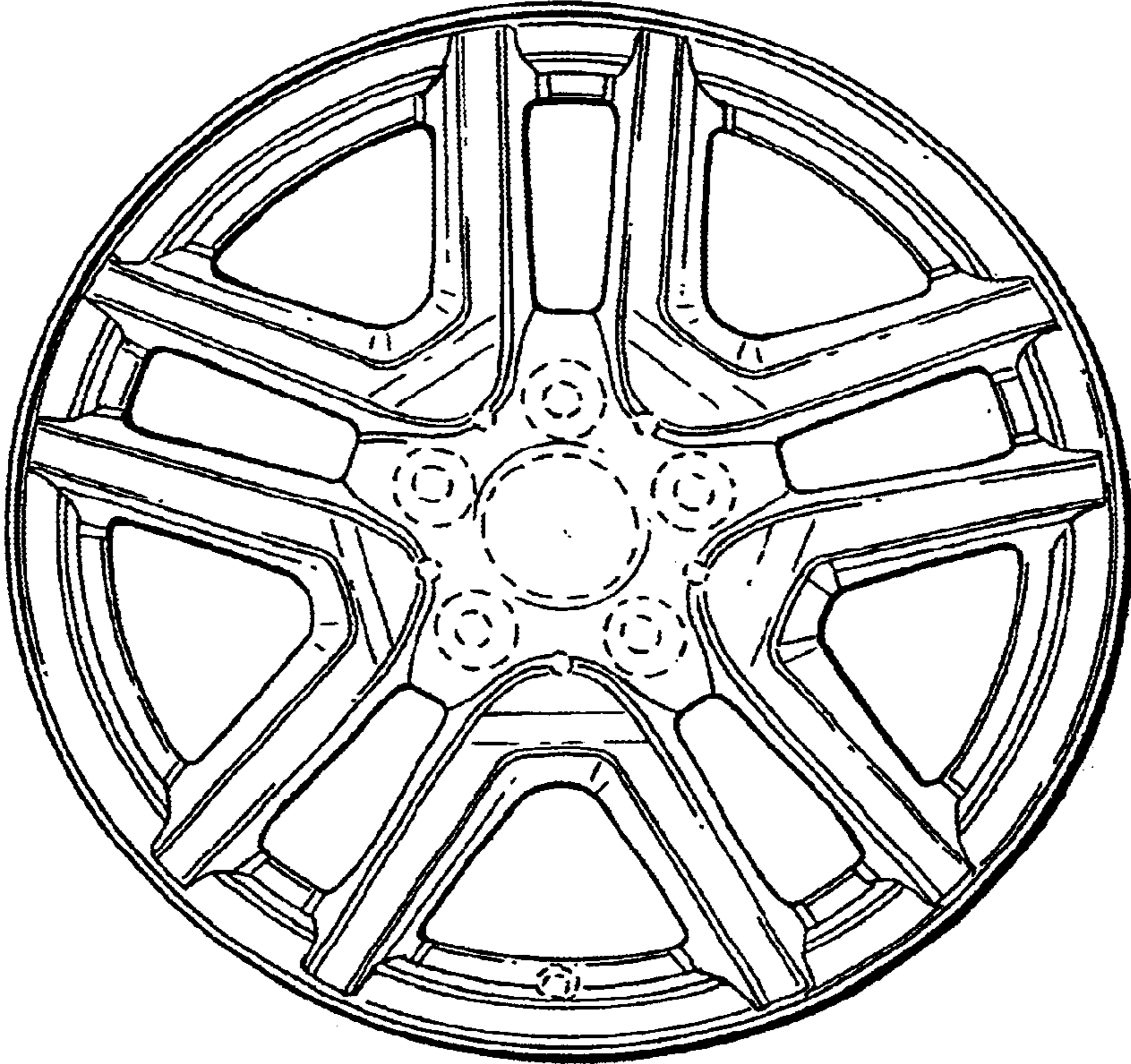


Fig. 2