



US00D510552S

(12) **United States Design Patent**
Phillips et al.

(10) **Patent No.:** **US D510,552 S**
(45) **Date of Patent:** **** Oct. 11, 2005**

(54) **MOTORCYCLE LICENSE PLATE COVER**
(75) Inventors: **Wendell G. Phillips**, San Clemente, CA (US); **Paul A. Franson**, San Clemente, CA (US)

D437,816 S * 2/2001 Hussaini et al. D12/193
D455,106 S * 4/2002 Yang D12/193
D460,394 S * 7/2002 Wang D12/193
D488,754 S * 4/2004 Spencer D12/193
D489,031 S * 4/2004 Leibman D12/193

(73) Assignee: **Lockhart - Phillips USA, Inc.**, San Clemente, CA (US)

* cited by examiner

(**) Term: **14 Years**

Primary Examiner—Stacia Cadmus

(74) *Attorney, Agent, or Firm*—Marc J. Frechette, Esq.;
Crockett & Crockett

(21) Appl. No.: **29/222,043**

(57) **CLAIM**

(22) Filed: **Jan. 24, 2005**

We claim the ornamental design for a motorcycle license plate cover, as shown and described.

(51) **LOC (8) Cl.** **12-16**

(52) **U.S. Cl.** **D12/193**

(58) **Field of Search** D12/193, 114;
D6/300–303, 310–314; 40/200–203, 207–216

DESCRIPTION

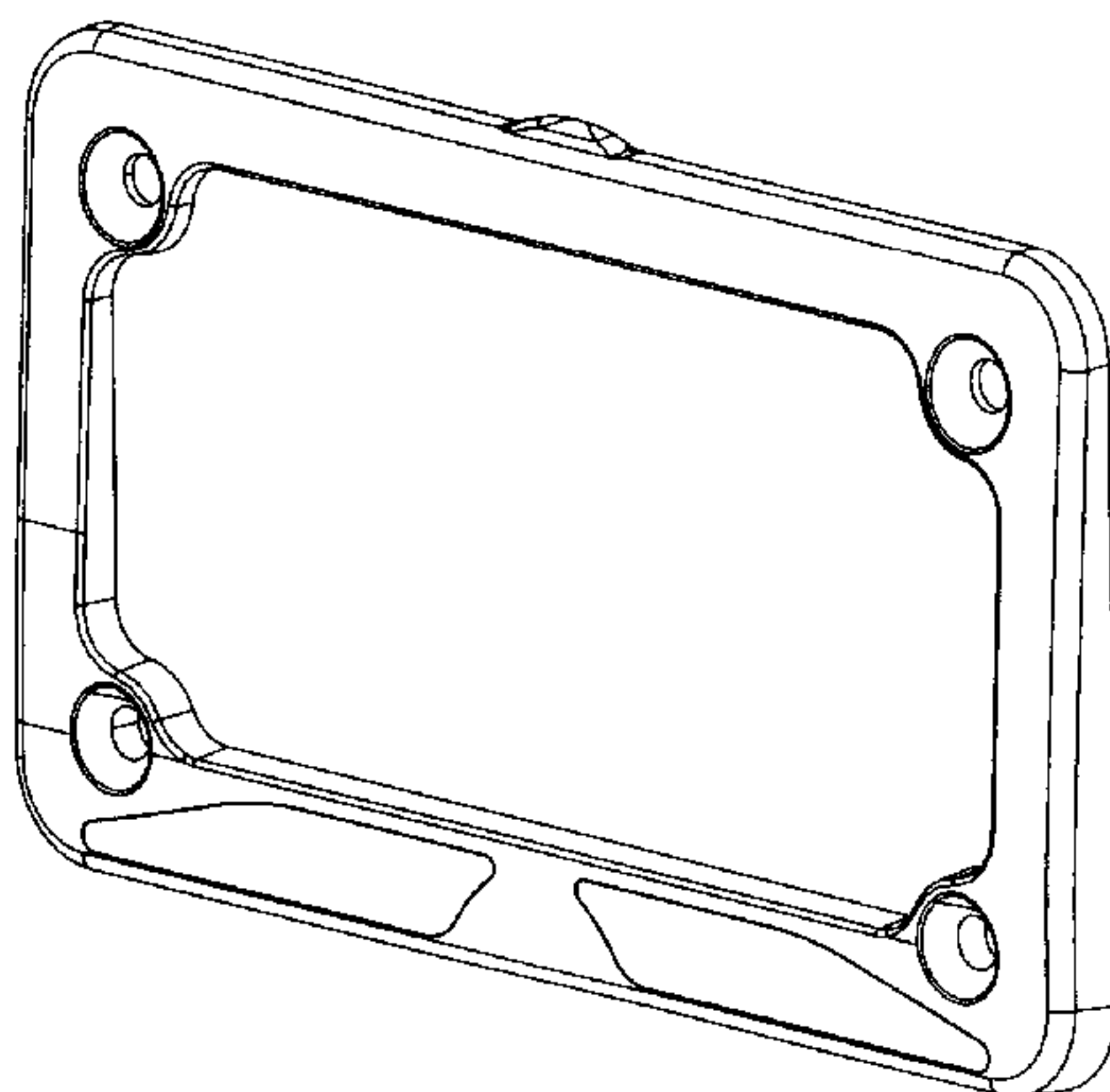
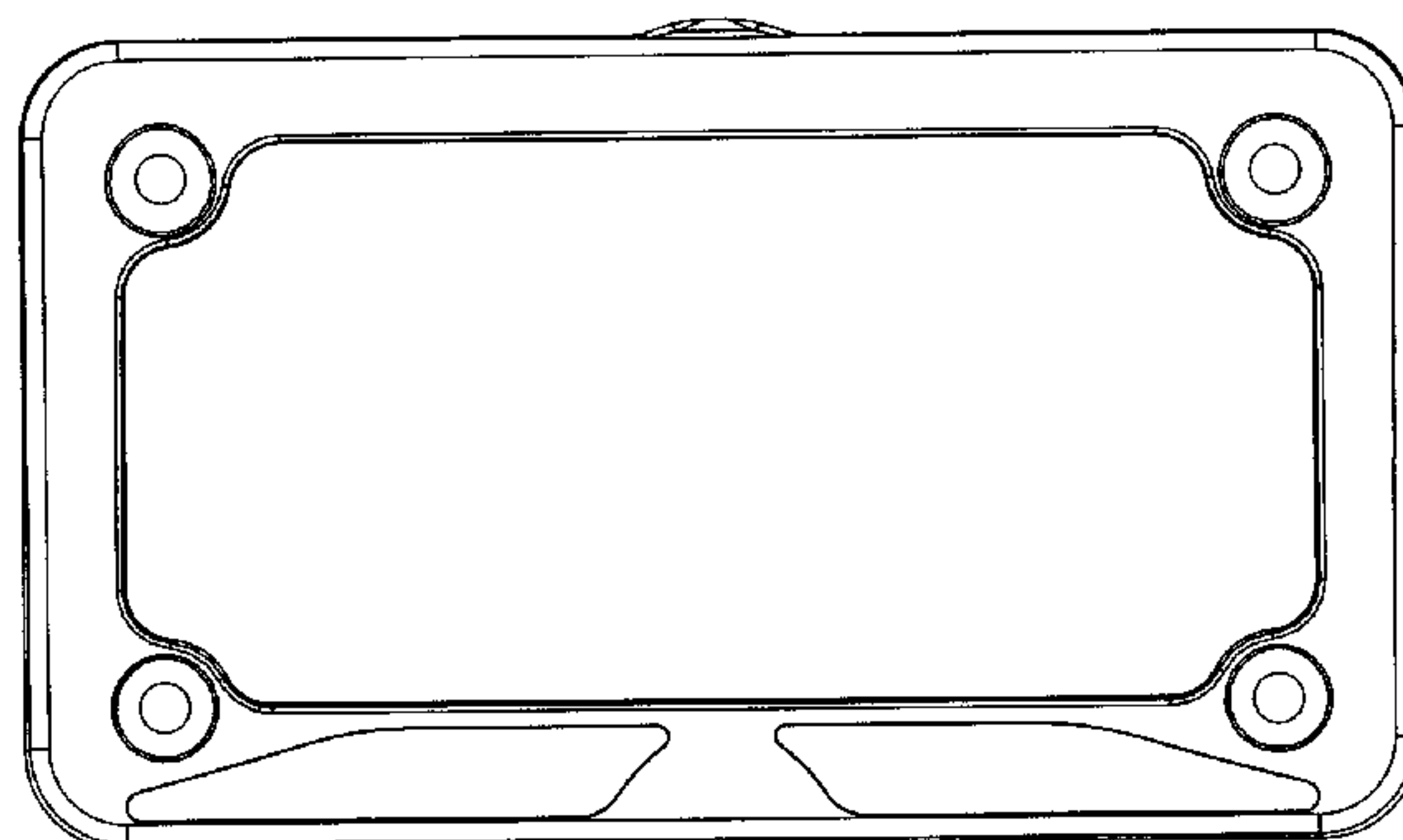
(56) **References Cited**

U.S. PATENT DOCUMENTS

D219,774 S * 1/1971 Cox D12/193
D281,490 S * 11/1985 Lien D12/193
D301,863 S * 6/1989 Iacovelli et al. D12/193
D359,262 S * 6/1995 Shusterman D12/193
D382,240 S * 8/1997 Francis D12/193
D416,527 S * 11/1999 Steinhagen D12/193

FIG. 1 is a top plan view of a motorcycle license plate cover showing my new design;
FIG. 2 is a front view thereof;
FIG. 3 is a bottom view thereof;
FIG. 4 is a left side elevation view thereof;
FIG. 5 is a perspective view of the front, top and left side thereof; and,
FIG. 6 is a perspective view of the front, top and right side thereof.

1 Claim, 3 Drawing Sheets



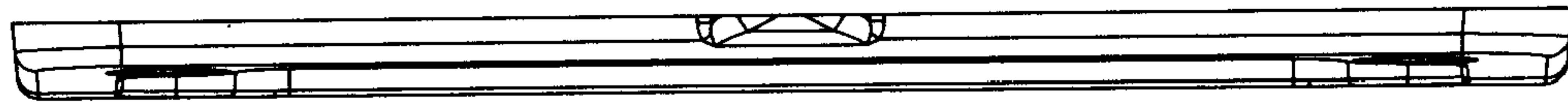


Fig. 1

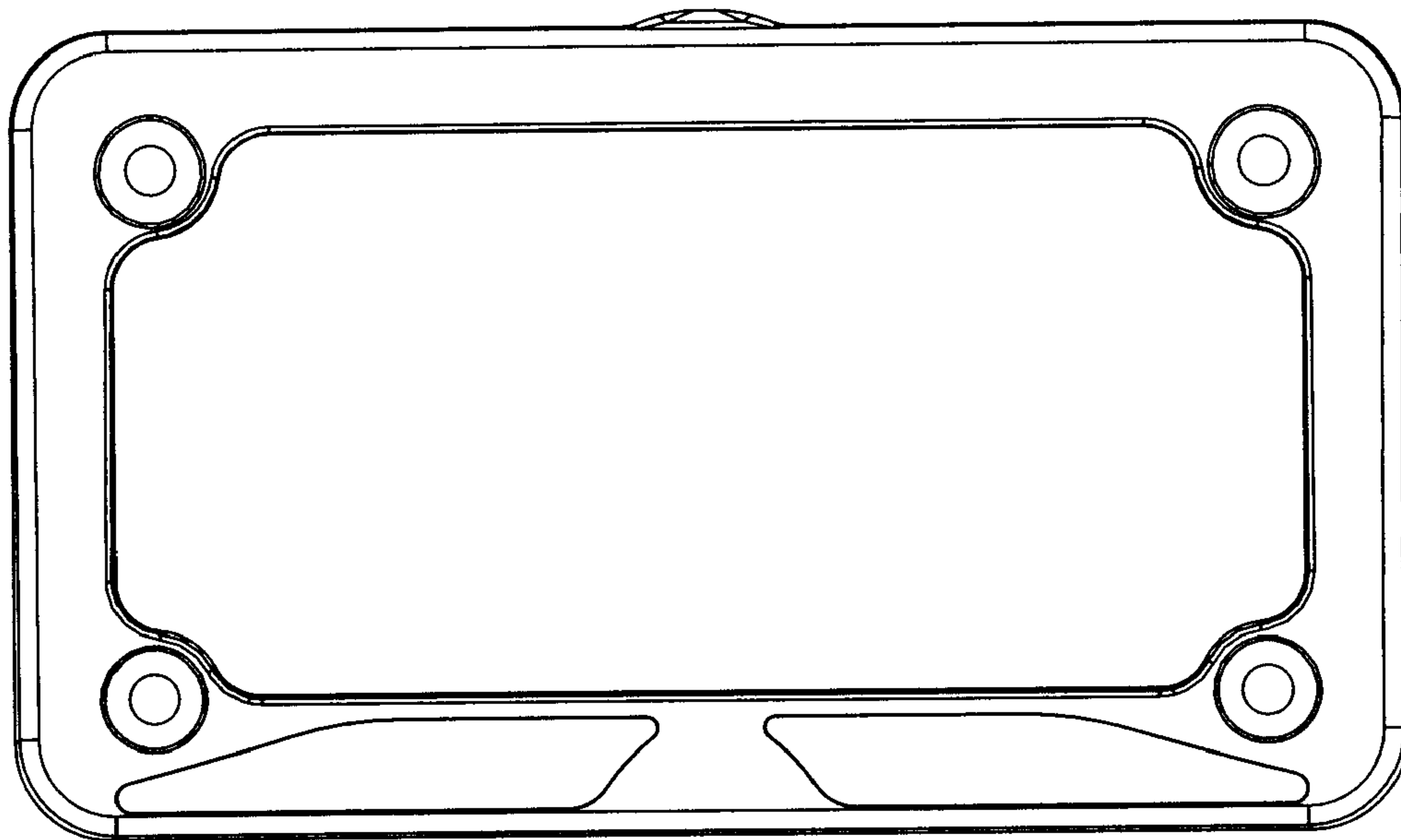


Fig. 2

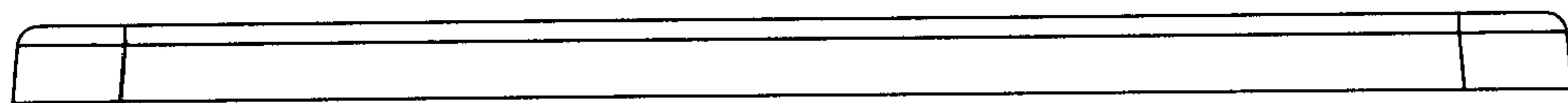


Fig. 3

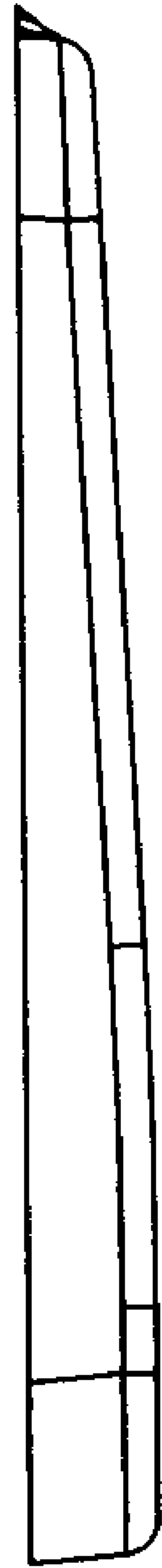


Fig. 4

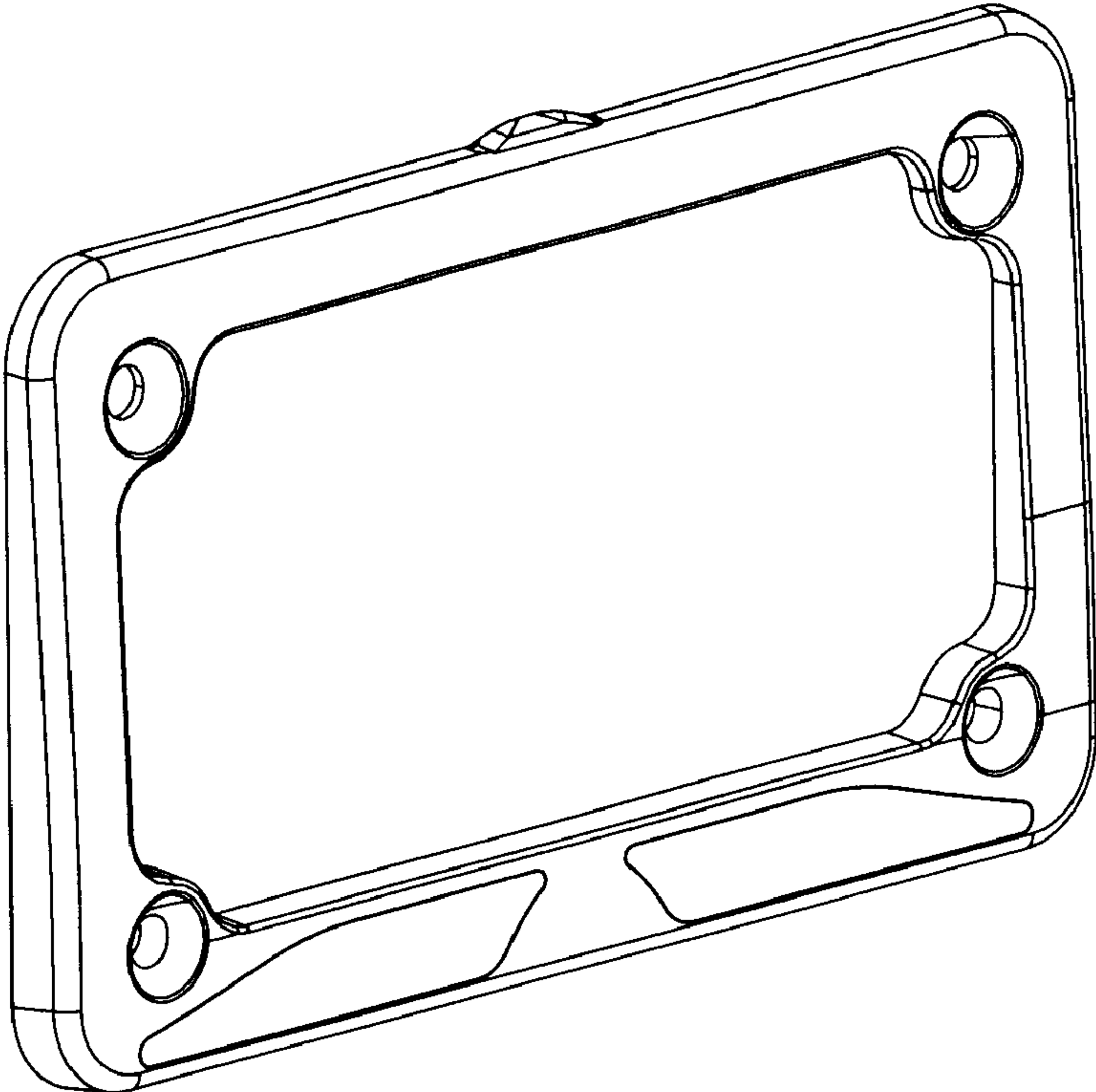


Fig. 5

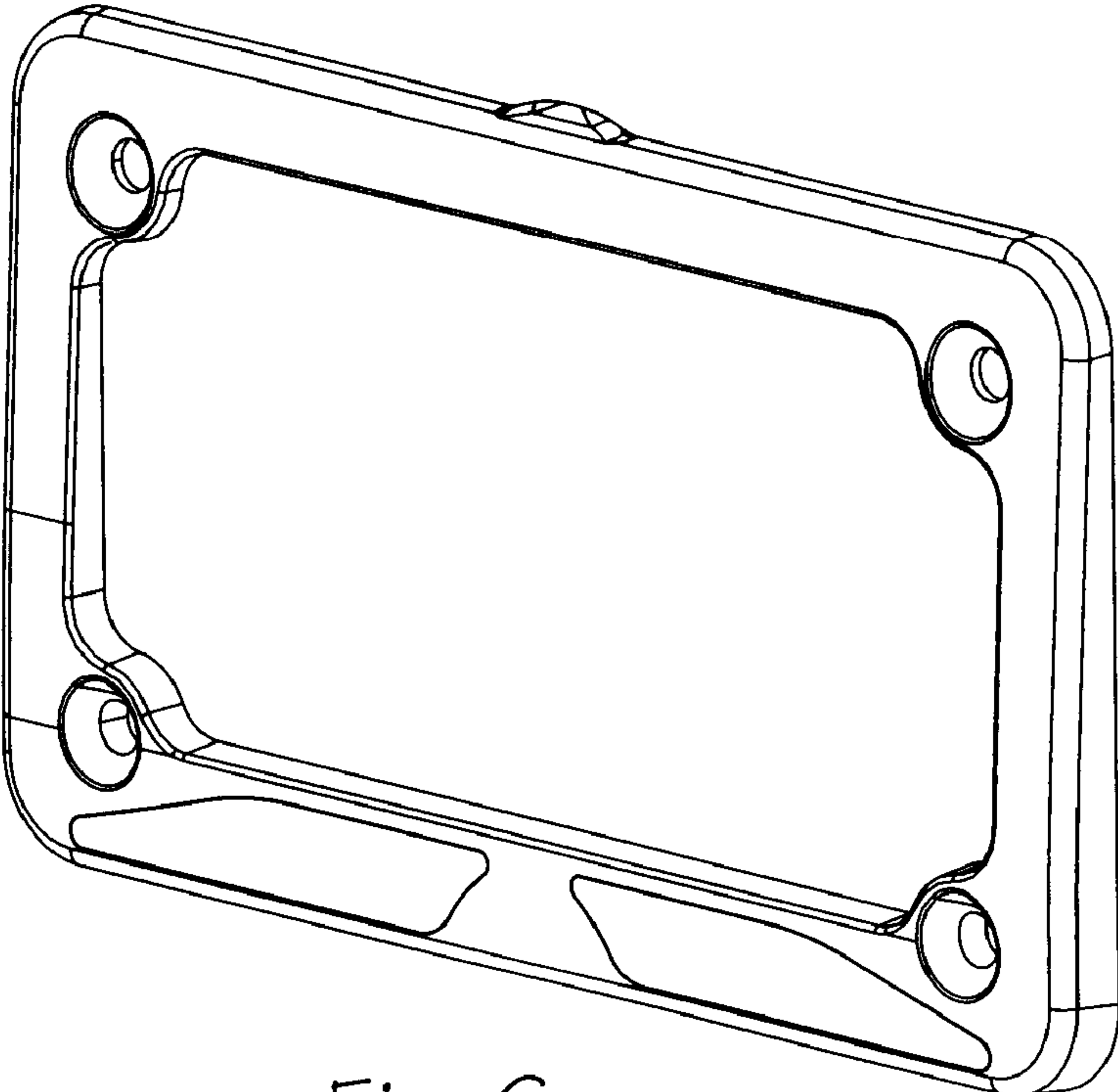


Fig. 6