



US00D510548S

(12) **United States Design Patent** (10) **Patent No.:** **US D510,548 S**  
**Wickliffe** (45) **Date of Patent:** **\*\* Oct. 11, 2005**

(54) **ANNULAR CHAIN GUIDE FOR BICYCLE FRONT DERAILLEUR**

(74) *Attorney, Agent, or Firm*—Morriss O'Bryant Compagni

(76) **Inventor:** **Christopher A. Wickliffe**, 1320 16<sup>th</sup> St., Ogden, UT (US) 84404

(57) **CLAIM**

The ornamental design for an annular chain guide for bicycle front derailleur, as shown and described.

(\*\*) **Term:** **14 Years**

**DESCRIPTION**

(21) **Appl. No.:** **29/210,290**

This design patent application is related to patent application Ser. No. 10/201,849, filed Jul. 23, 2002, pending, which is a continuation-in-part application of Ser. No. 09/488,657, filed Jan. 20, 2000, now U.S. Pat. No. 6,454,671.

(22) **Filed:** **Jul. 29, 2004**

(51) **LOC (8) Cl.** ..... **12-11**

(52) **U.S. Cl.** ..... **D12/127**

(58) **Field of Search** ..... D12/111, 117, D12/122-124, 126, 127; 474/69, 70, 78-82, 140, 153, 144-147, 174-176; 280/304.3, 152.2

FIG. 1 is a top view of an embodiment of an annular chain guide for bicycle front derailleur in accordance with the present invention;

FIG. 2 is a rear view thereof;

FIG. 3 is a front view thereof;

FIG. 4 is a bottom view thereof;

FIG. 5 is a left side elevation view thereof;

FIG. 6 is a right side elevation view thereof;

FIG. 7 is a front perspective view thereof; and,

FIG. 8 is a rear perspective view thereof shown in an exemplary intended environment.

The broken lines are shown in the drawings to illustrate the environment only and form no part of the claimed design.

(56) **References Cited**

**U.S. PATENT DOCUMENTS**

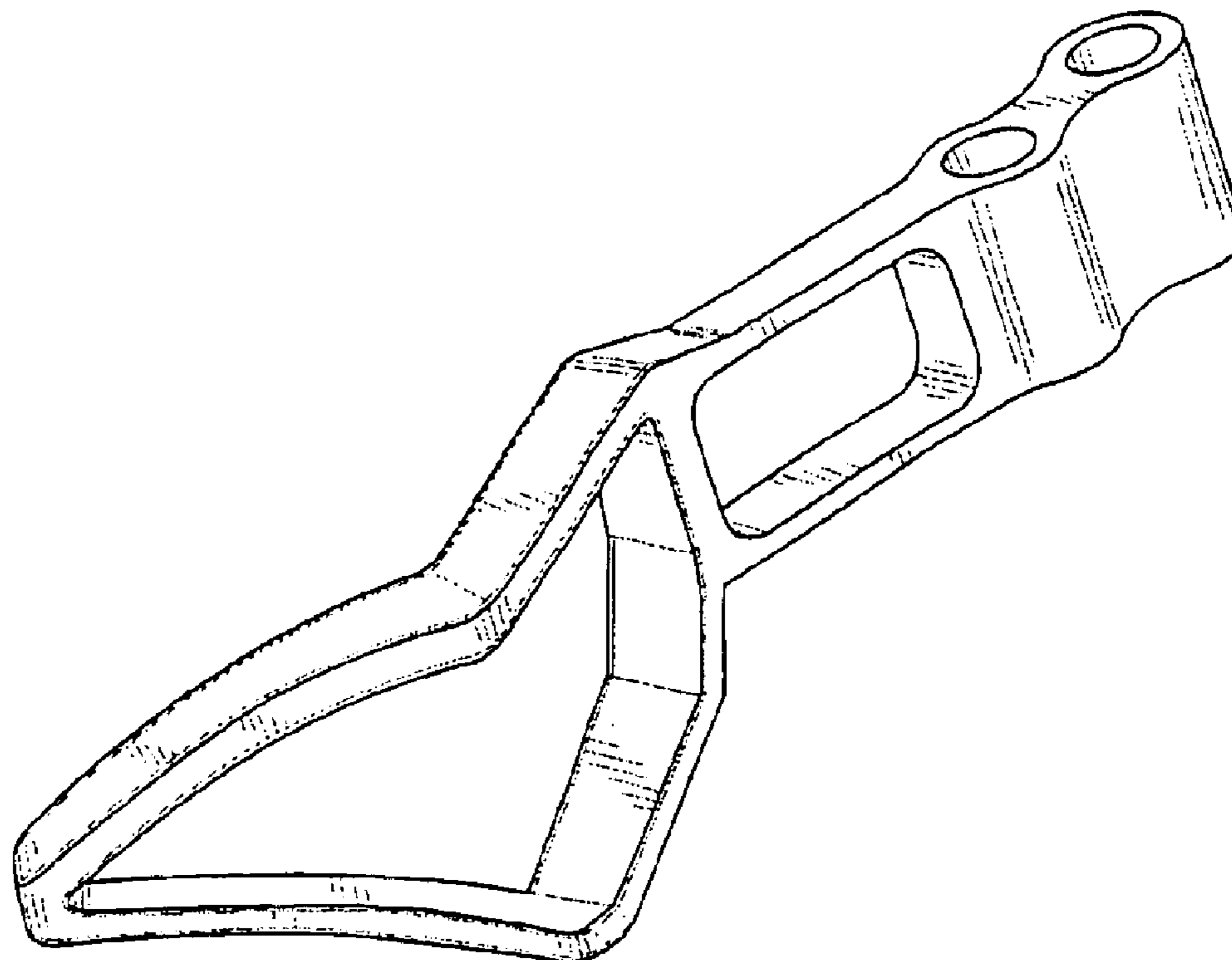
4,237,743 A	*	12/1980	Nagano	.....	474/82
6,454,671 B1	*	9/2002	Wickliffe	.....	474/80
6,641,494 B1	*	11/2003	Campagnolo	.....	474/80

\* cited by examiner

*Primary Examiner*—Alan P. Douglas

*Assistant Examiner*—Linda Brooks

**1 Claim, 3 Drawing Sheets**



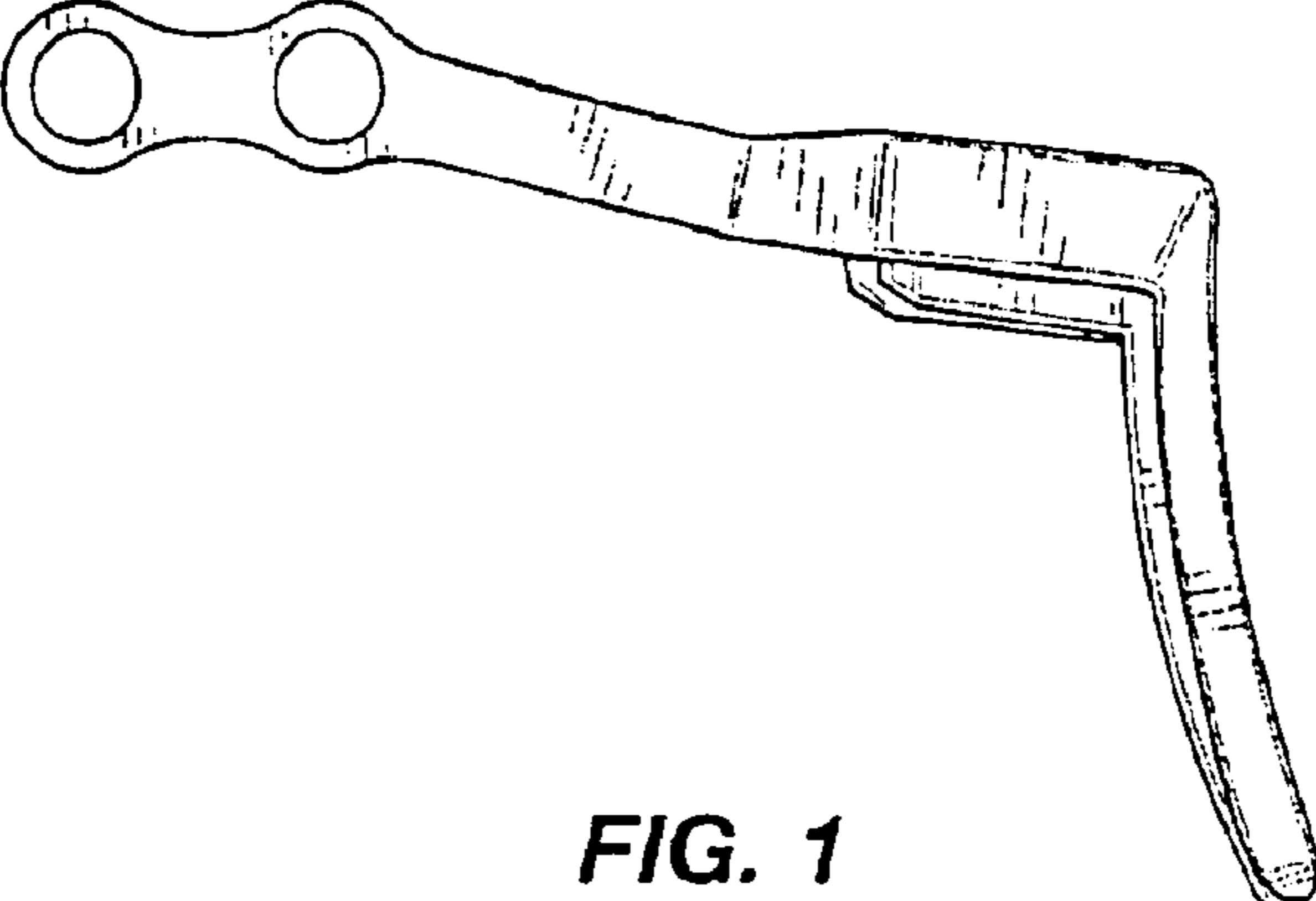


FIG. 1

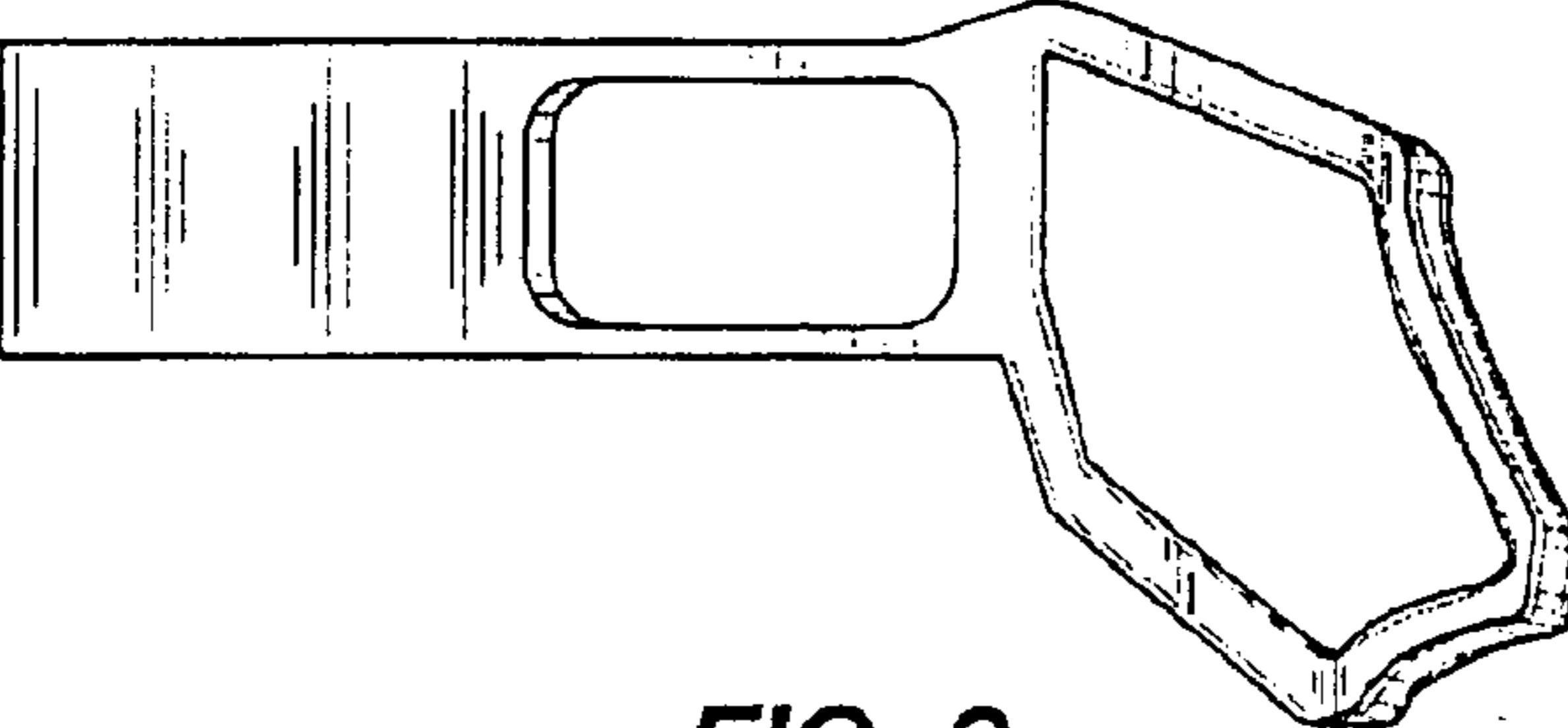


FIG. 2

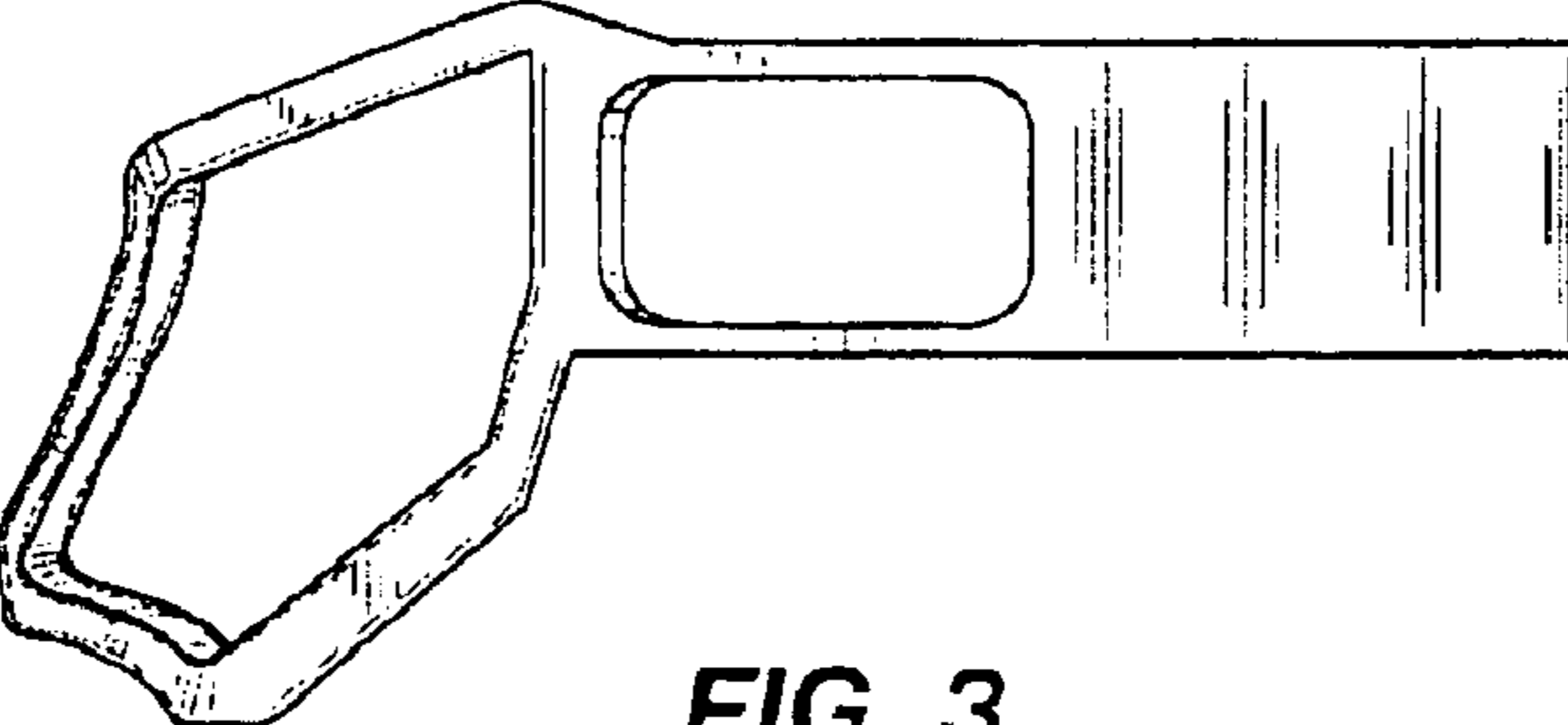


FIG. 3

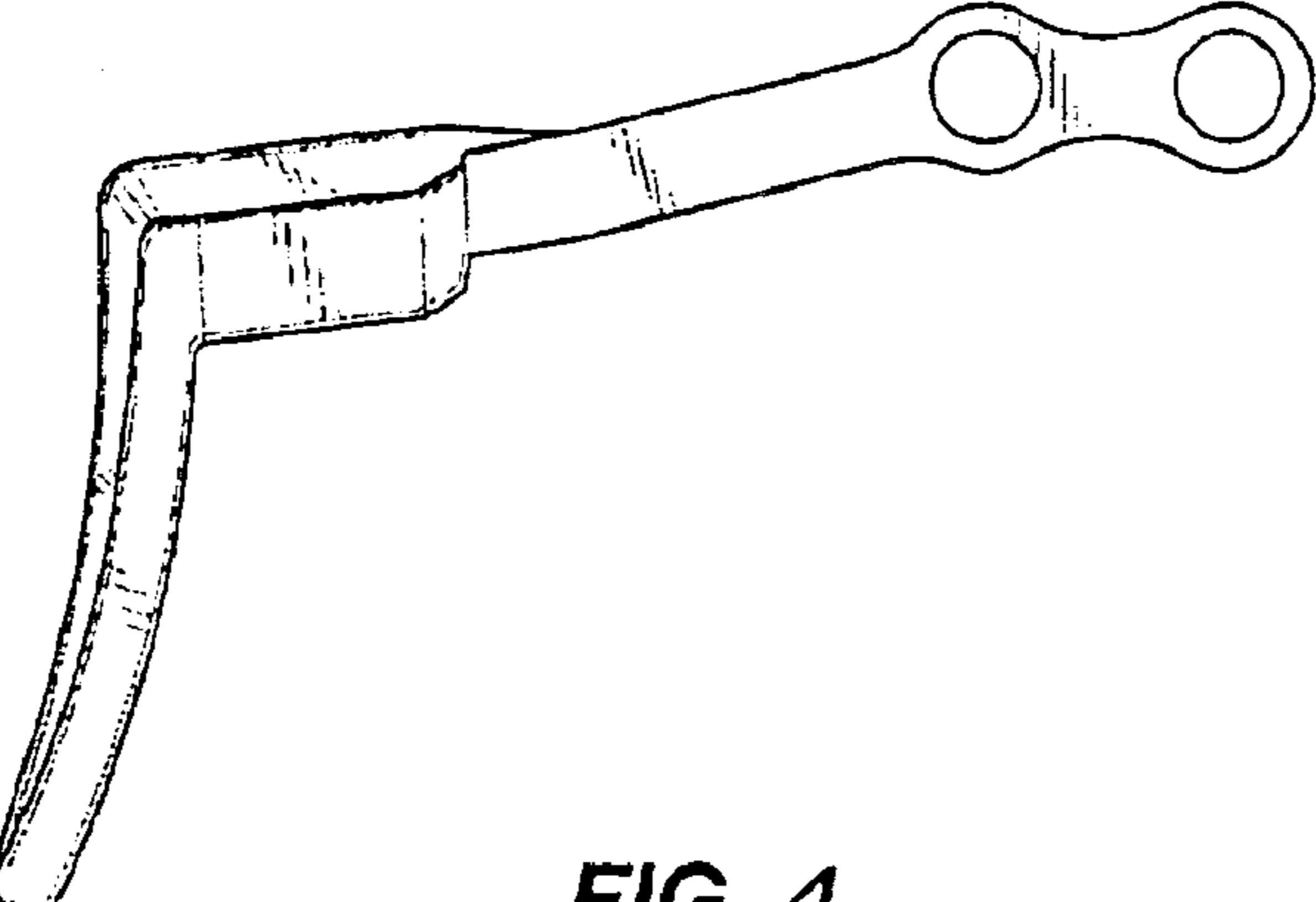
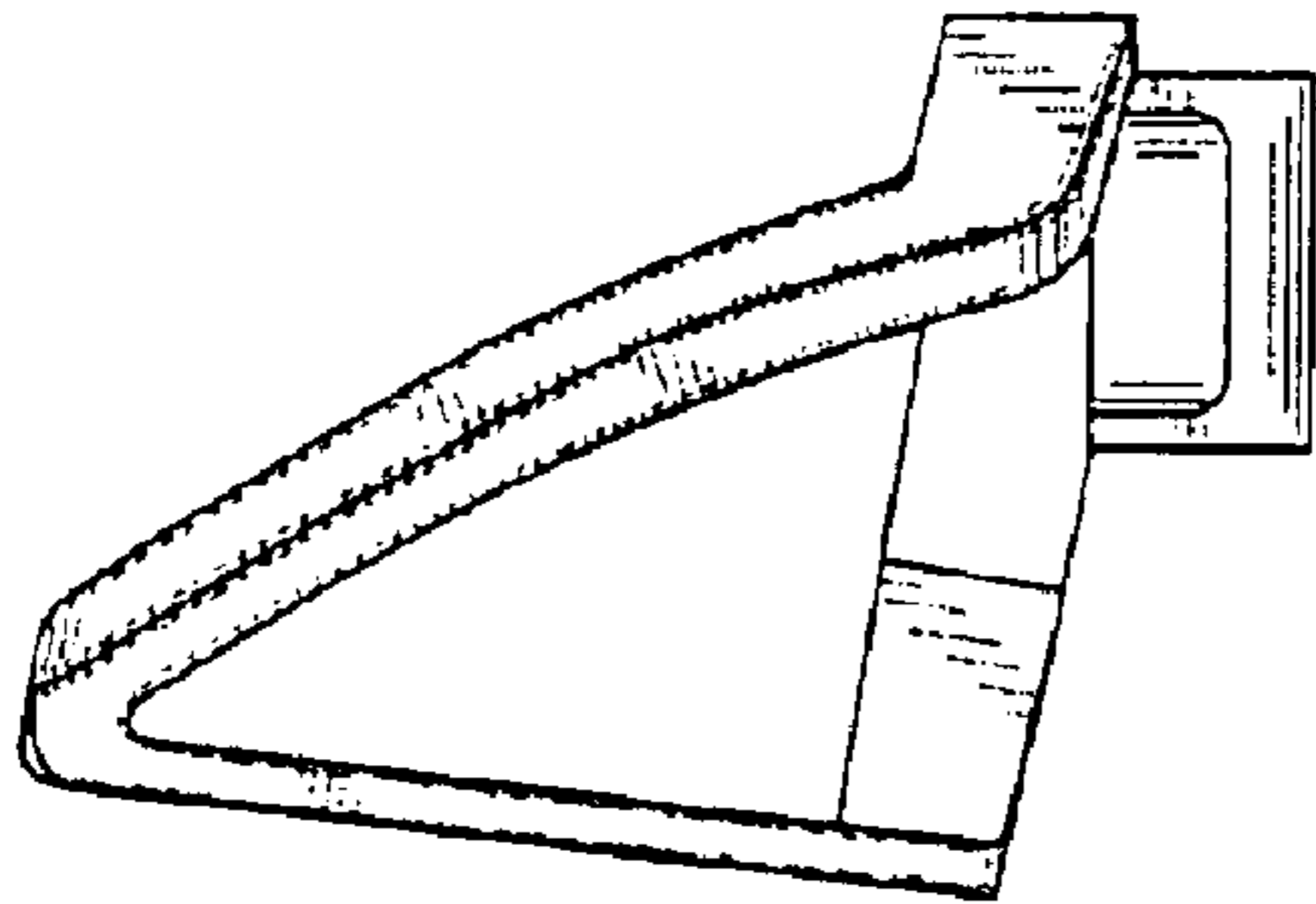
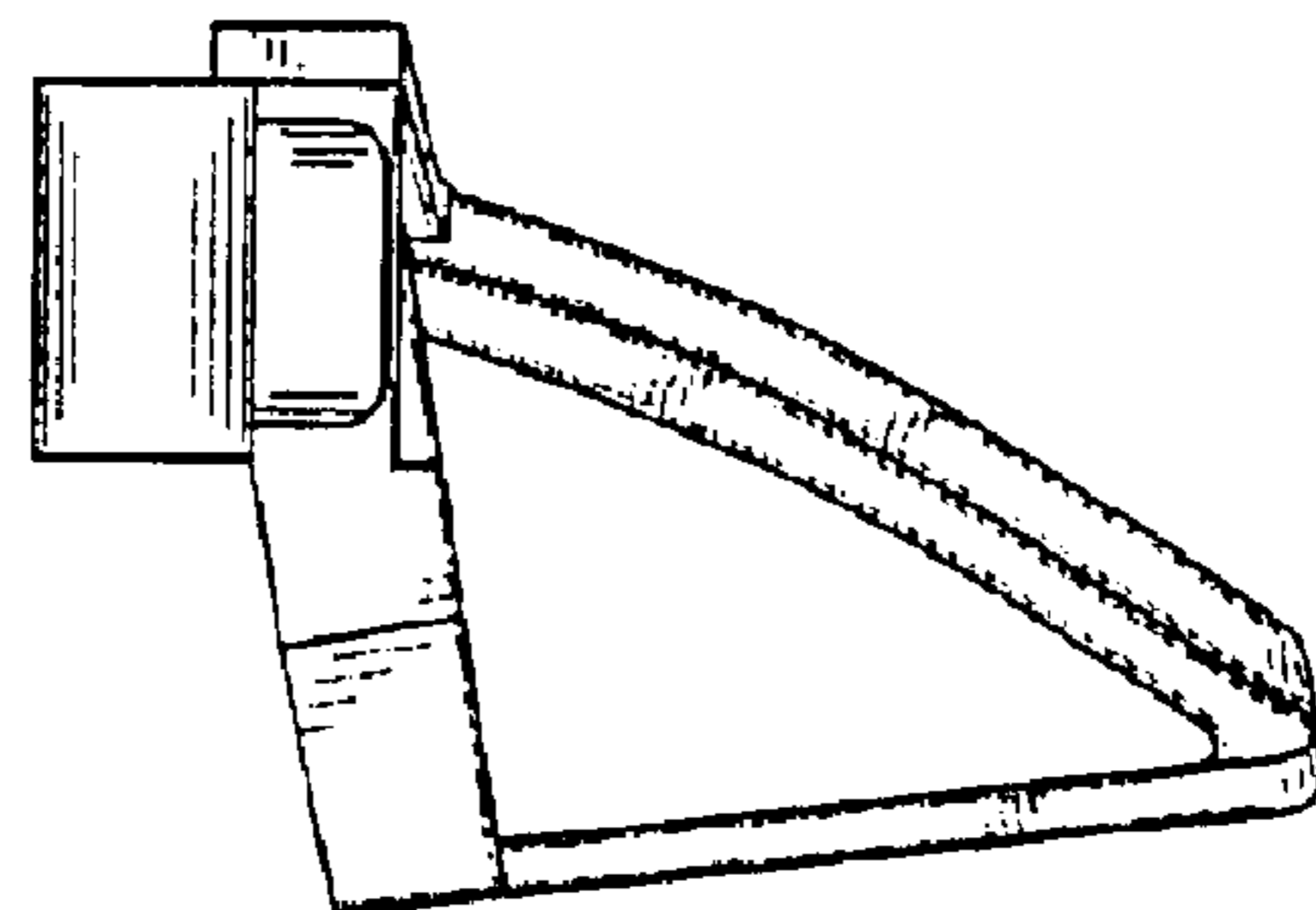


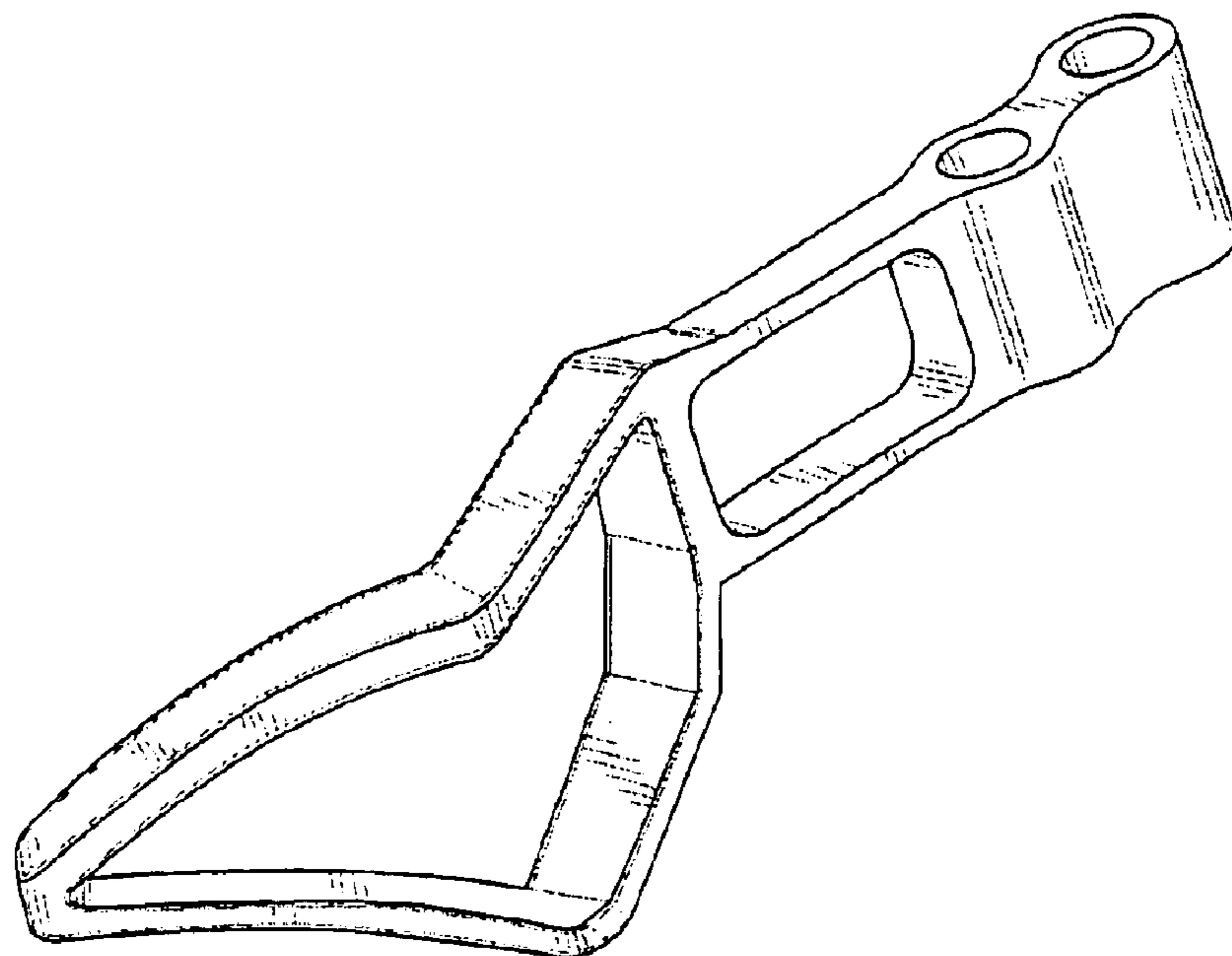
FIG. 4



**FIG. 5**



**FIG. 6**



**FIG. 7**

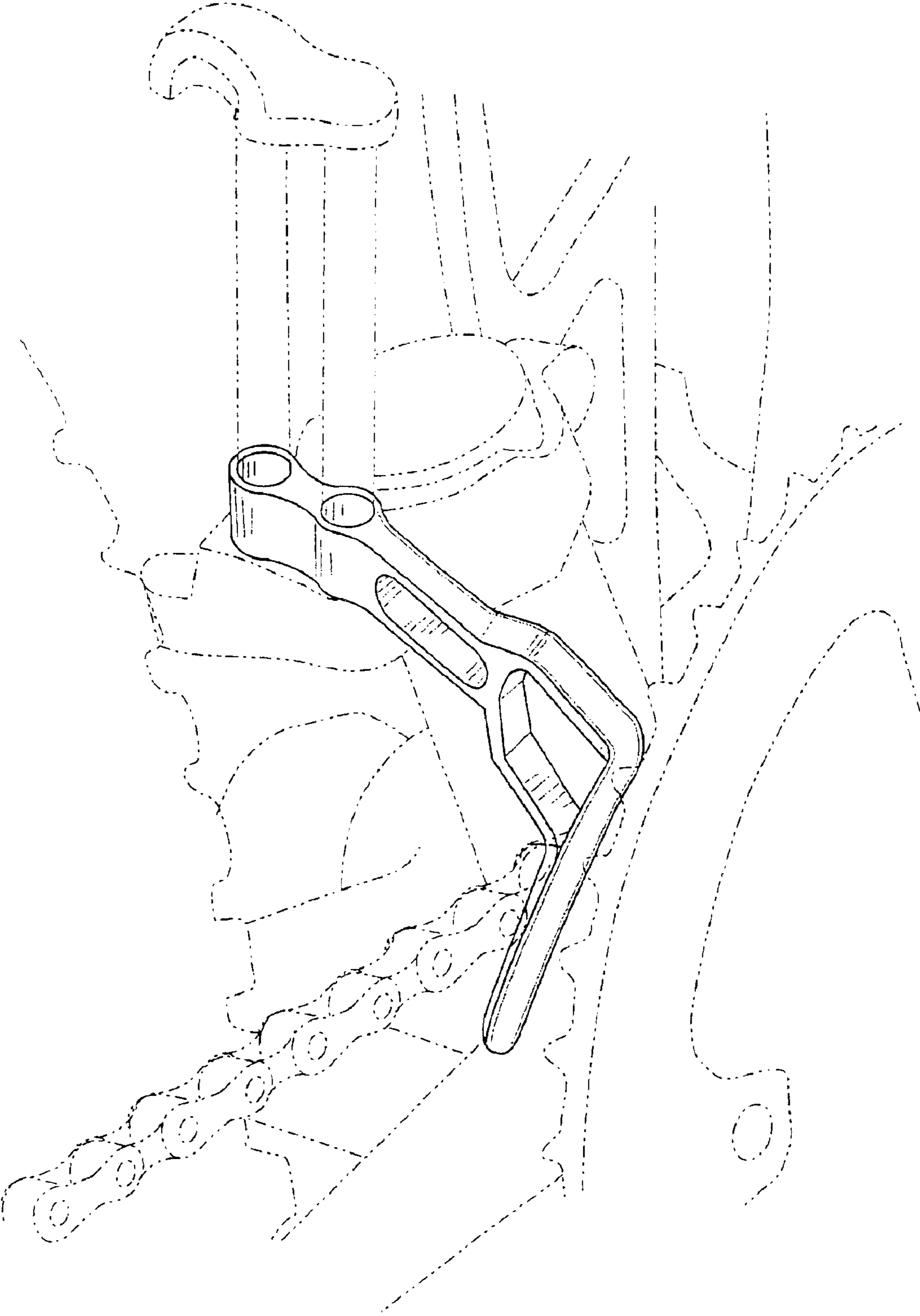


FIG. 8