



US00D510547S

(12) **United States Design Patent**  
**Blankenship et al.**

(10) **Patent No.:** **US D510,547 S**

(45) **Date of Patent:** **\*\* Oct. 11, 2005**

(54) **BICYCLE FRAME**

(75) Inventors: **Frank Blankenship**, Downingtown, PA  
(US); **Greg Blake**, Madison, WI (US)

(73) Assignee: **Pacific Cycle, LLC**, Madison, WI (US)

(\*\*) Term: **14 Years**

(21) Appl. No.: **29/211,571**

(22) Filed: **Aug. 18, 2004**

**Related U.S. Application Data**

(63) Continuation-in-part of application No. 29/187,590, filed on Aug. 4, 1905, now Pat. No. Des. 497,575.

(51) **LOC (8) Cl.** ..... **12-11**

(52) **U.S. Cl.** ..... **D12/111**

(58) **Field of Search** ..... D12/111, 117,  
D12/110; 280/281.1, 274-278, 288.1-288.3;  
180/219, 311

(56) **References Cited**

**U.S. PATENT DOCUMENTS**

D299,220 S \* 1/1989 Trusky

D301,437 S \* 6/1989 Bleustein et al.

D392,603 S \* 3/1998 Quick

5,845,728 A \* 12/1998 Itoh et al. .... 180/219

D449,808 S \* 10/2001 Soto

D492,917 S \* 7/2004 Pedersen ..... D12/110

\* cited by examiner

*Primary Examiner*—Alan P. Douglas

*Assistant Examiner*—Linda Brooks

(74) *Attorney, Agent, or Firm*—Brian G. Gilpin; Godfrey & Kahn, S.C.

(57) **CLAIM**

The ornamental design for a bicycle frame, as shown and described.

**DESCRIPTION**

FIG. 1 is a perspective view of a bicycle frame showing my new design;

FIG. 2 is a top view of the bicycle frame of FIG. 1;

FIG. 3 is a bottom view of the bicycle frame of FIG. 1;

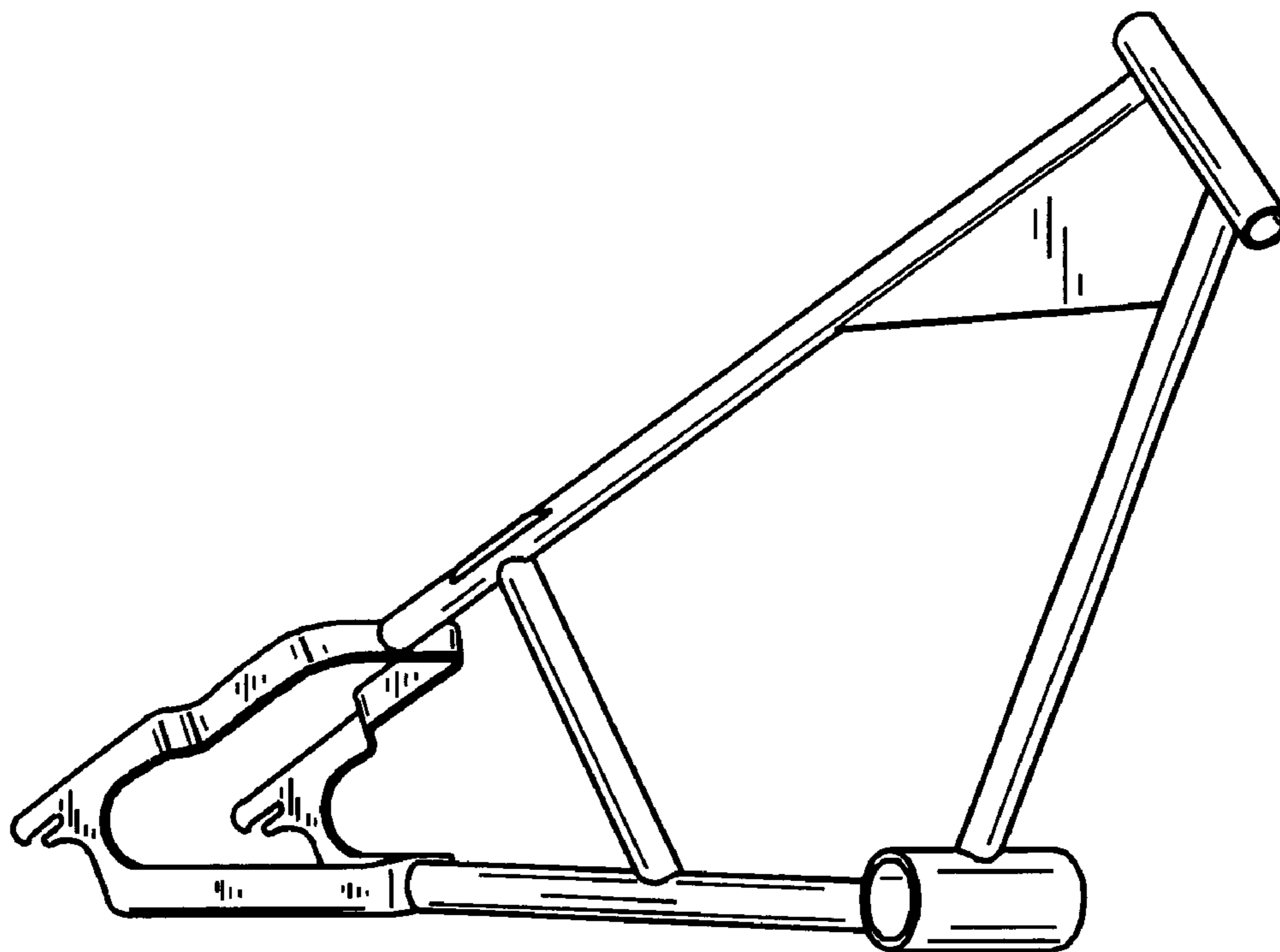
FIG. 4 is a left side view of the bicycle frame of FIG. 1;

FIG. 5 is a right side view of the bicycle frame of FIG. 1;

FIG. 6 is a front view of the bicycle frame of FIG. 1; and,

FIG. 7 is a rear view of the bicycle frame of FIG. 1.

**1 Claim, 5 Drawing Sheets**



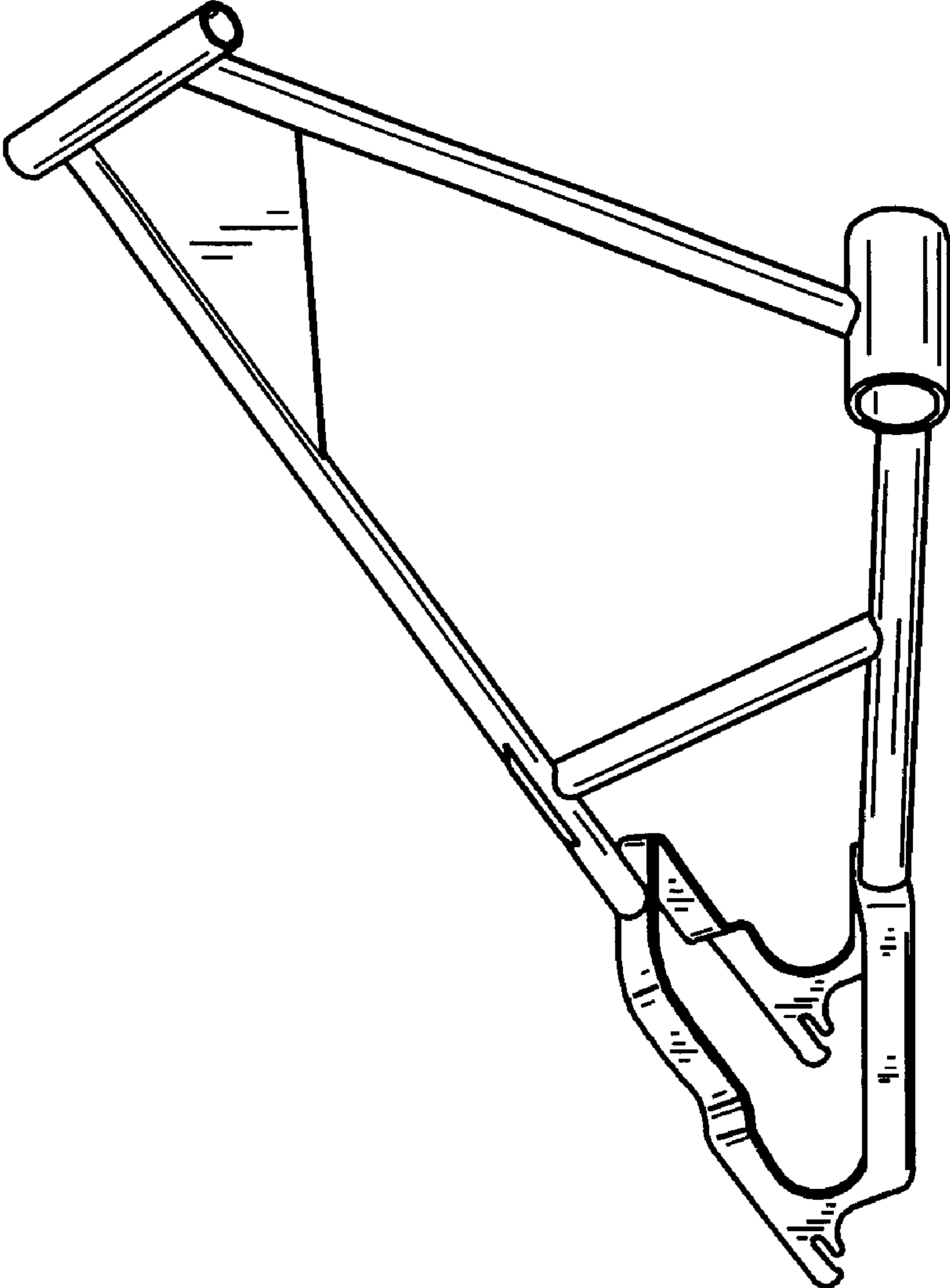


FIG. 1

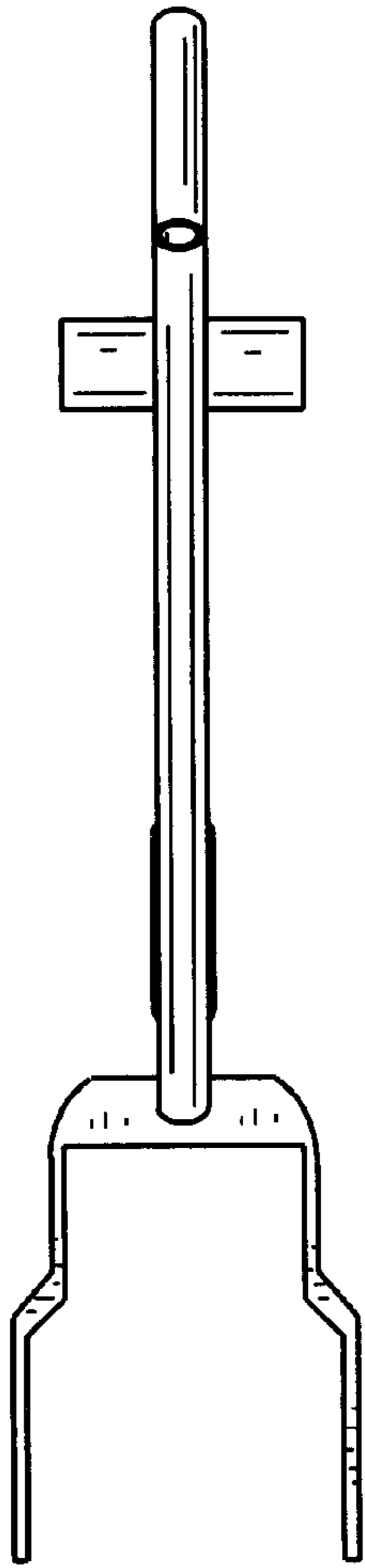


FIG. 2

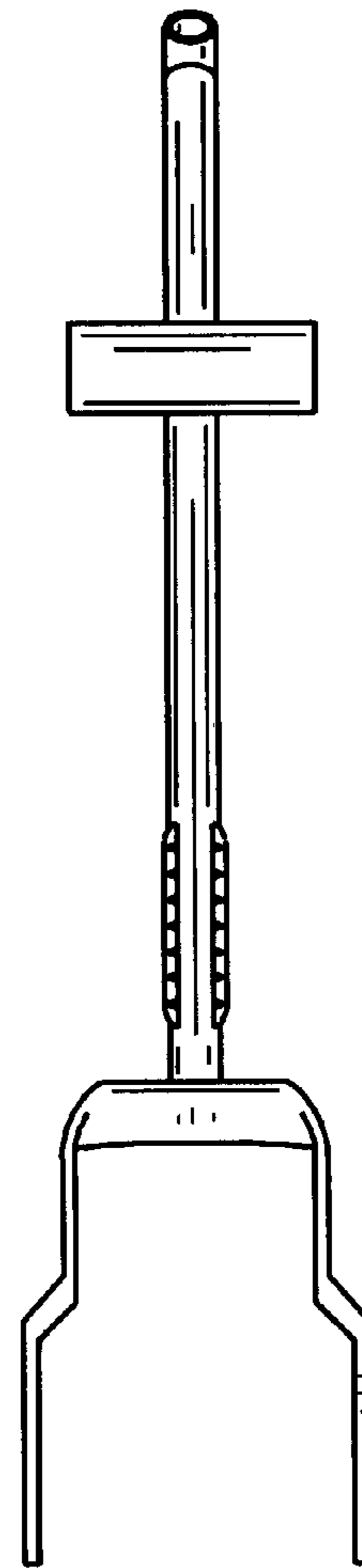


FIG. 3

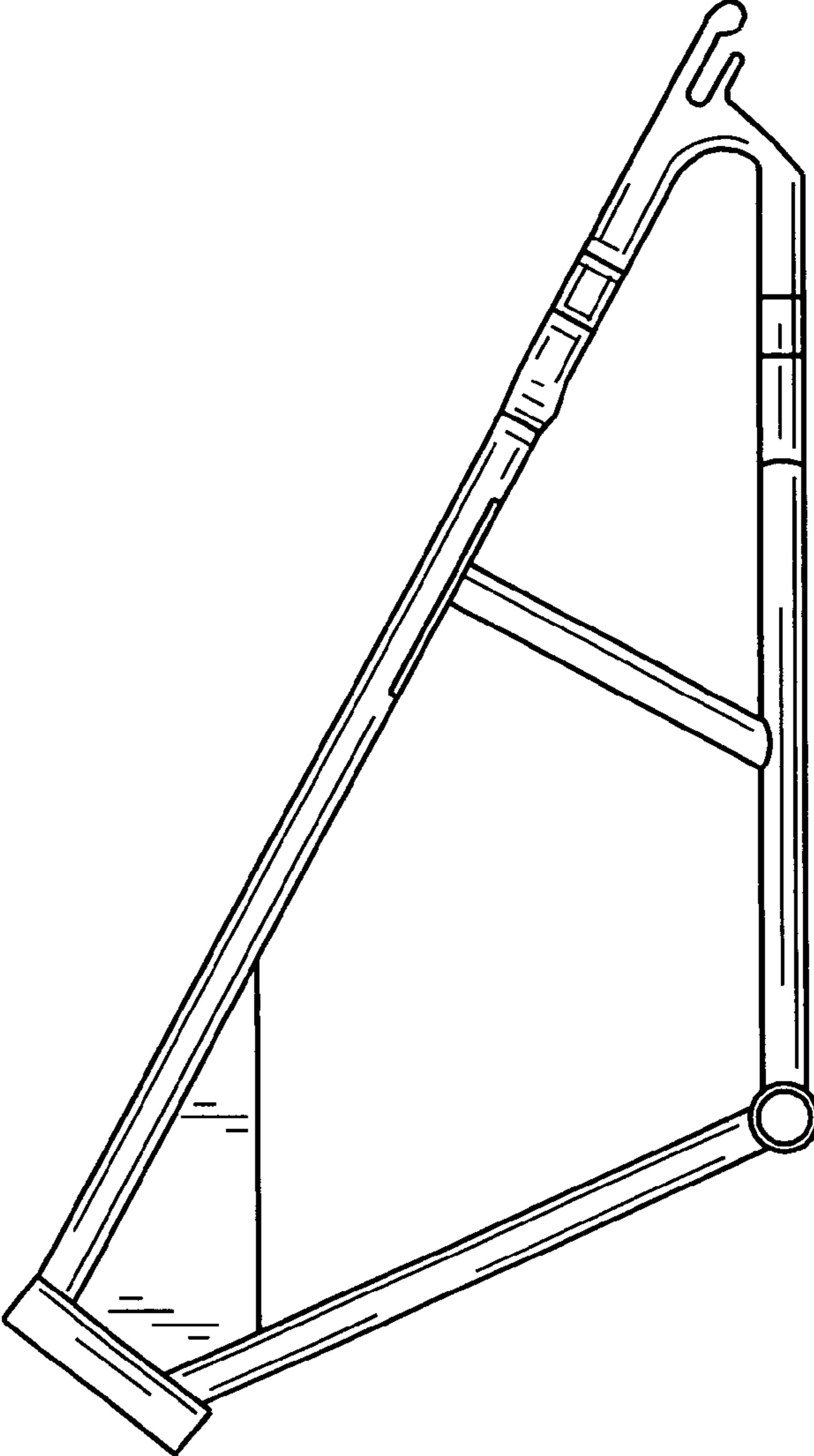


FIG. 4

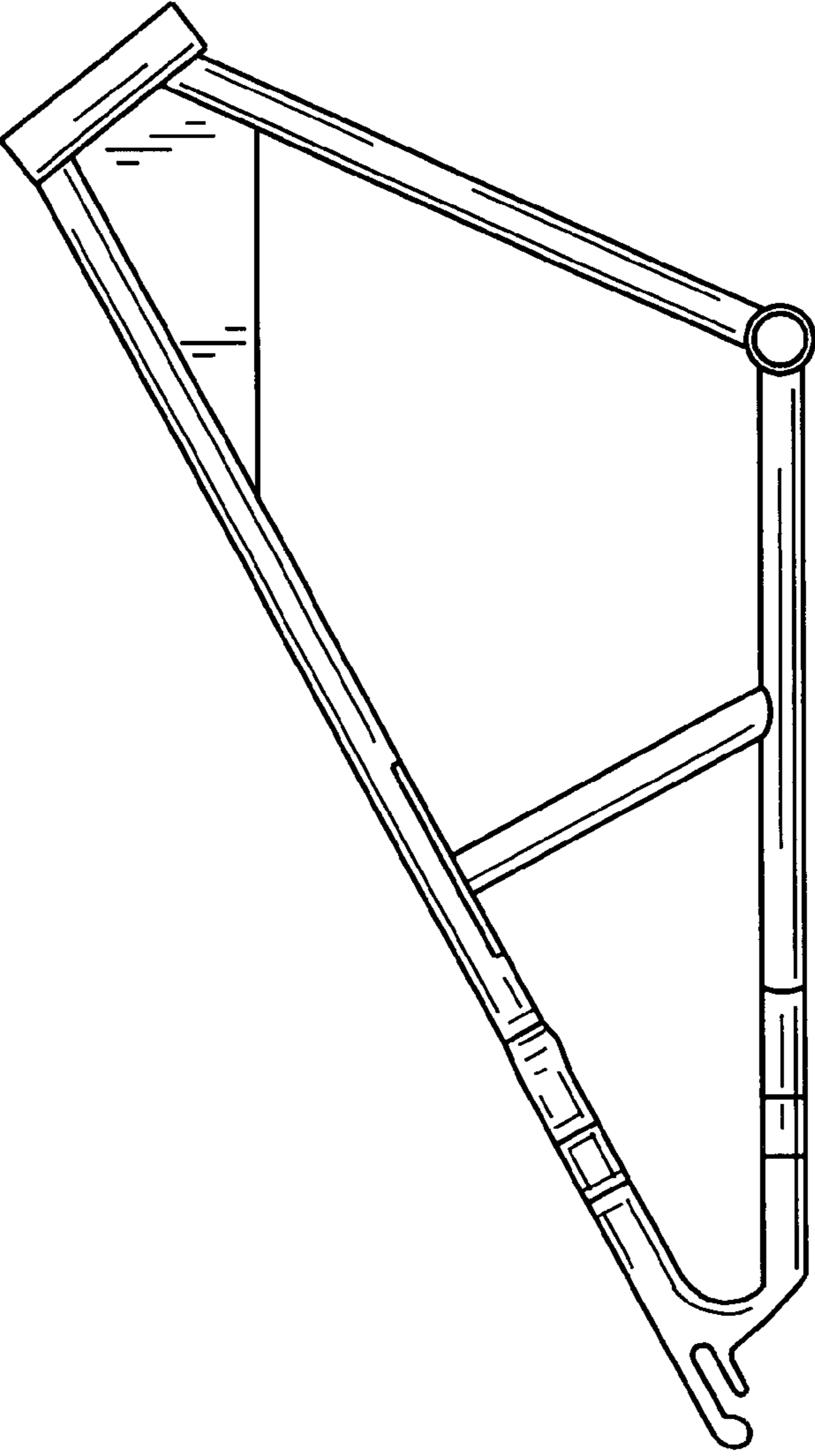


FIG. 5

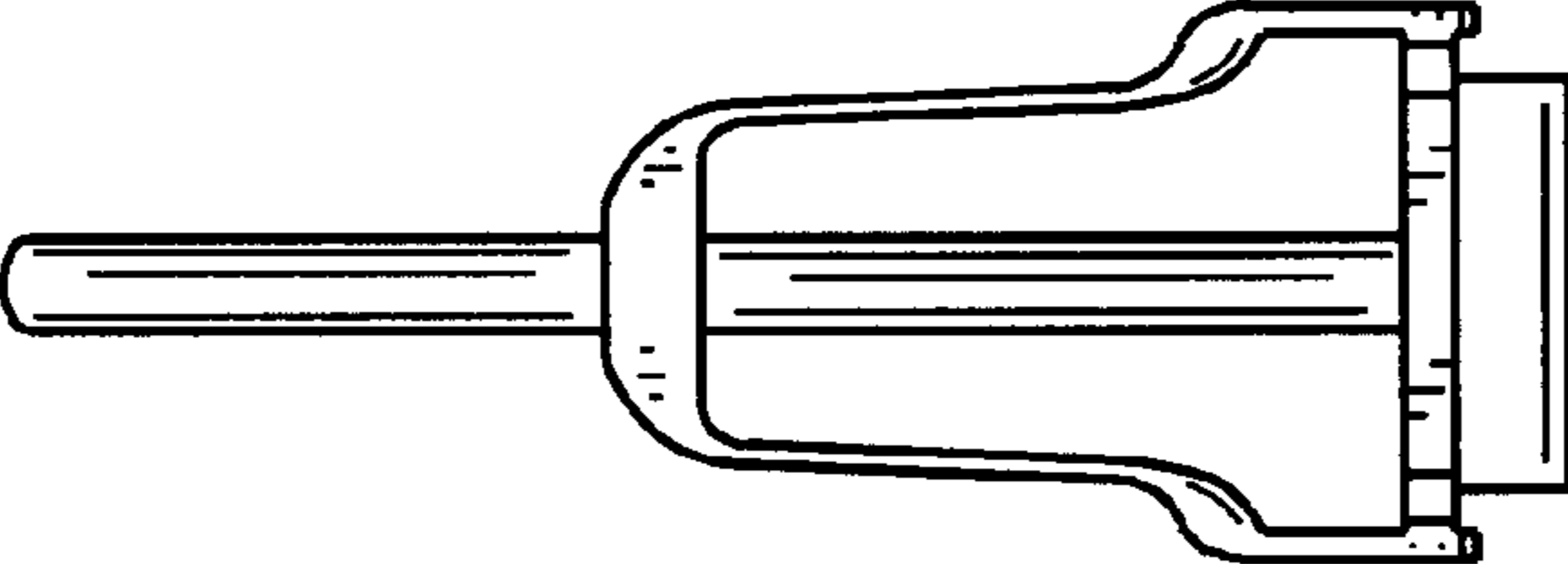


FIG. 7

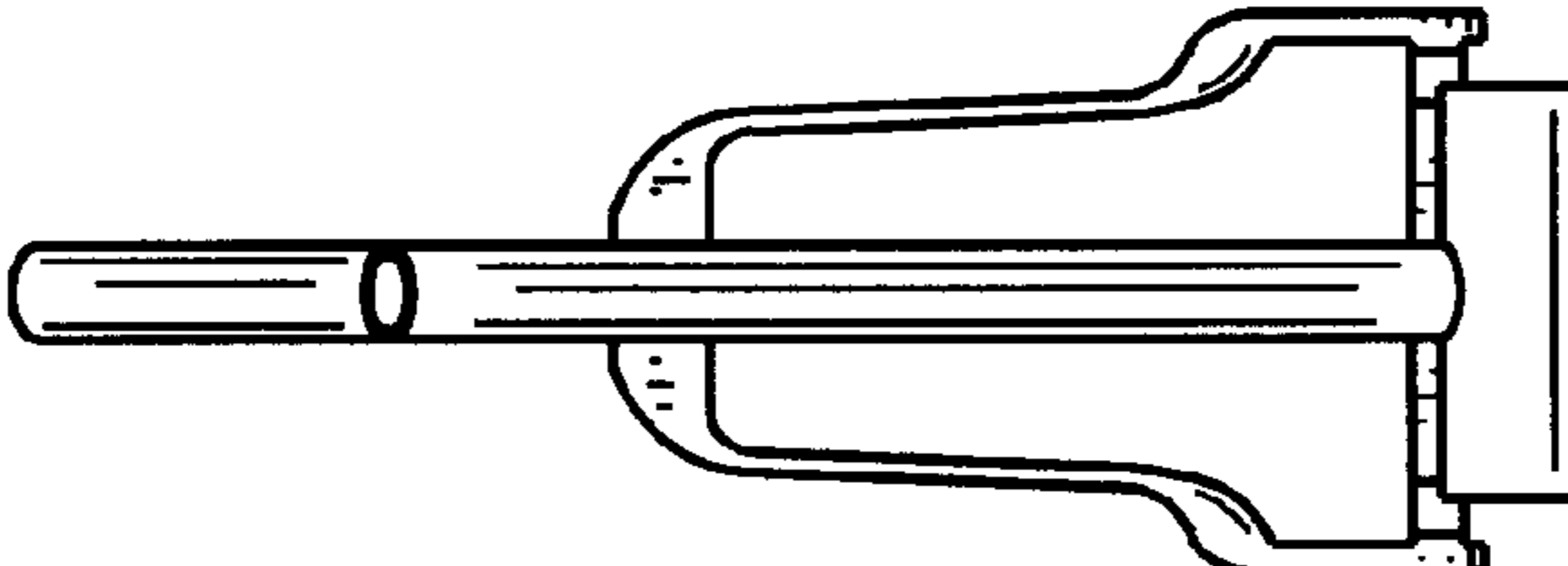


FIG. 6