

US00D510545S

(12) **United States Design Patent**
Riegel et al.

(10) **Patent No.: US D510,545 S**
(45) **Date of Patent: ** Oct. 11, 2005**

(54) **TRAVEL TRAILER**

(75) Inventors: **Richard E. Riegel**, Bedford Hills, NY (US); **Robert H. Wheeler**, Troy, OH (US); **Timothy Champ**, Sidney, OH (US); **Joseph Tripp**, Jackson Center, OH (US); **Bryan Thompson**, San Diego, CA (US); **Steve Moneypenny**, San Diego, CA (US); **Robert Bauer**, La Jolla, CA (US); **Jill Stefanik**, San Diego, CA (US); **Anke Mazzei**, Encinitas, CA (US)

(73) Assignee: **Thor Tech, Inc.**, Saginaw, MI (US)

(**) Term: **14 Years**

(21) Appl. No.: **29/194,766**

(22) Filed: **Dec. 1, 2003**

(51) **LOC (8) Cl.** **12-10**

(52) **U.S. Cl.** **D12/102**

(58) **Field of Search** D12/102, 101, D12/103; 280/475, 482, 789, 656-658, 63, 402, 47.38; 296/22, 24.1

(56) **References Cited**

U.S. PATENT DOCUMENTS

D340,429 S * 10/1993 Smith D12/102

D378,583 S * 3/1997 Aitken, III D12/102
D389,785 S * 1/1998 Guzak D12/102
D391,526 S * 3/1998 Kass et al. D12/102
5,938,261 A * 8/1999 Faba 296/22
D443,561 S * 6/2001 Voogt D12/102

OTHER PUBLICATIONS

Are You Ready for T@B?; 2004 T@B "Microlite" Travel Trailer; 2003; pp. 1; Thor Industries, Inc.; Goshen, Indiana, USA.

* cited by examiner

Primary Examiner—Melody N. Brown

(74) *Attorney, Agent, or Firm*—Dinsmore & Shohl, LLP

(57) **CLAIM**

The ornamental design for a travel trailer, as shown and described.

DESCRIPTION

FIG. 1 is a perspective view of a travel trailer showing our new design;

FIG. 2 is a side elevational view thereof;

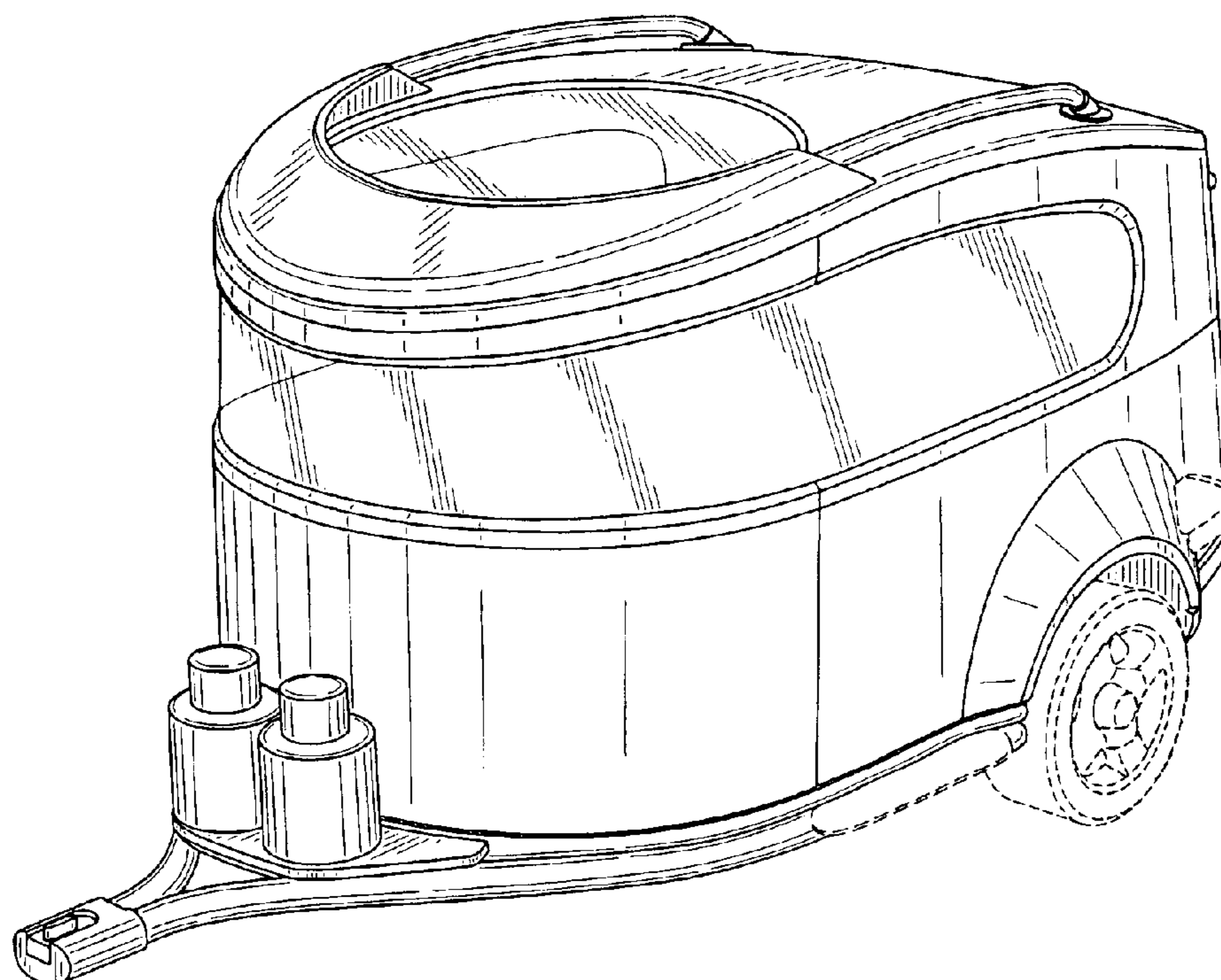
FIG. 3 is a front elevational view thereof;

FIG. 4 is a rear elevational view thereof; and,

FIG. 5 is a top plan view thereof.

The broken lines are shown for illustrative purposes only and form no part of the claimed design.

1 Claim, 4 Drawing Sheets



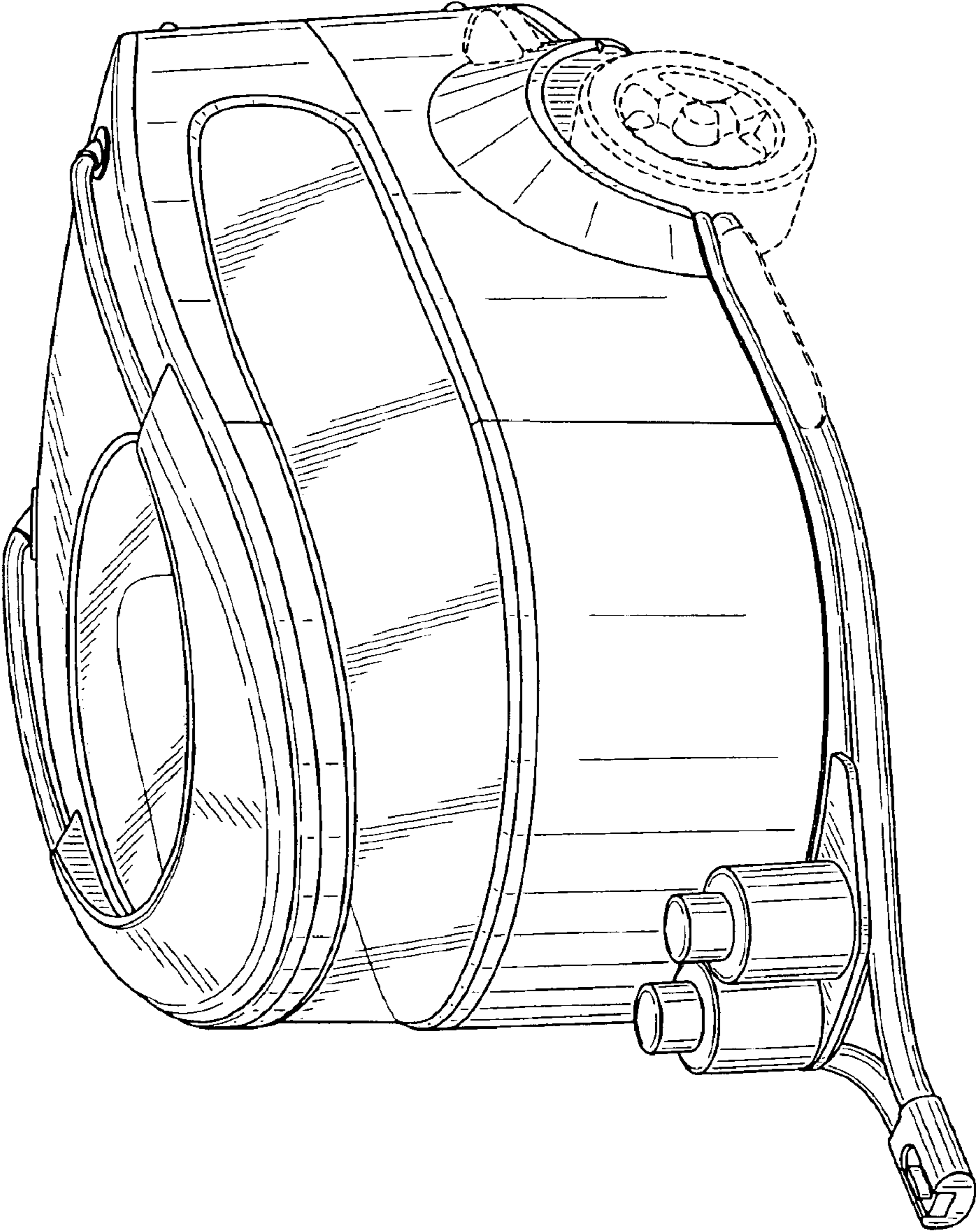


FIG. 1

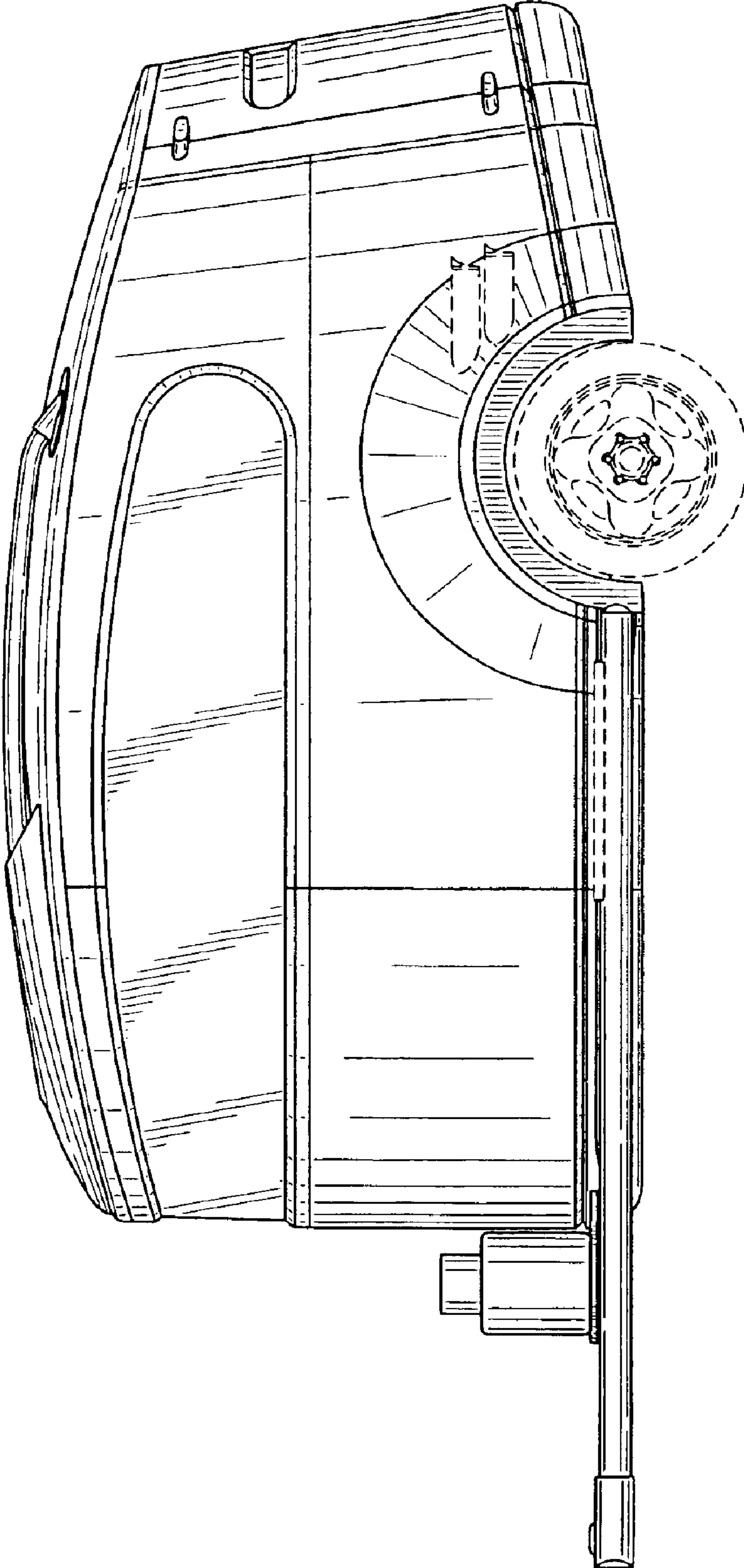


FIG. 2

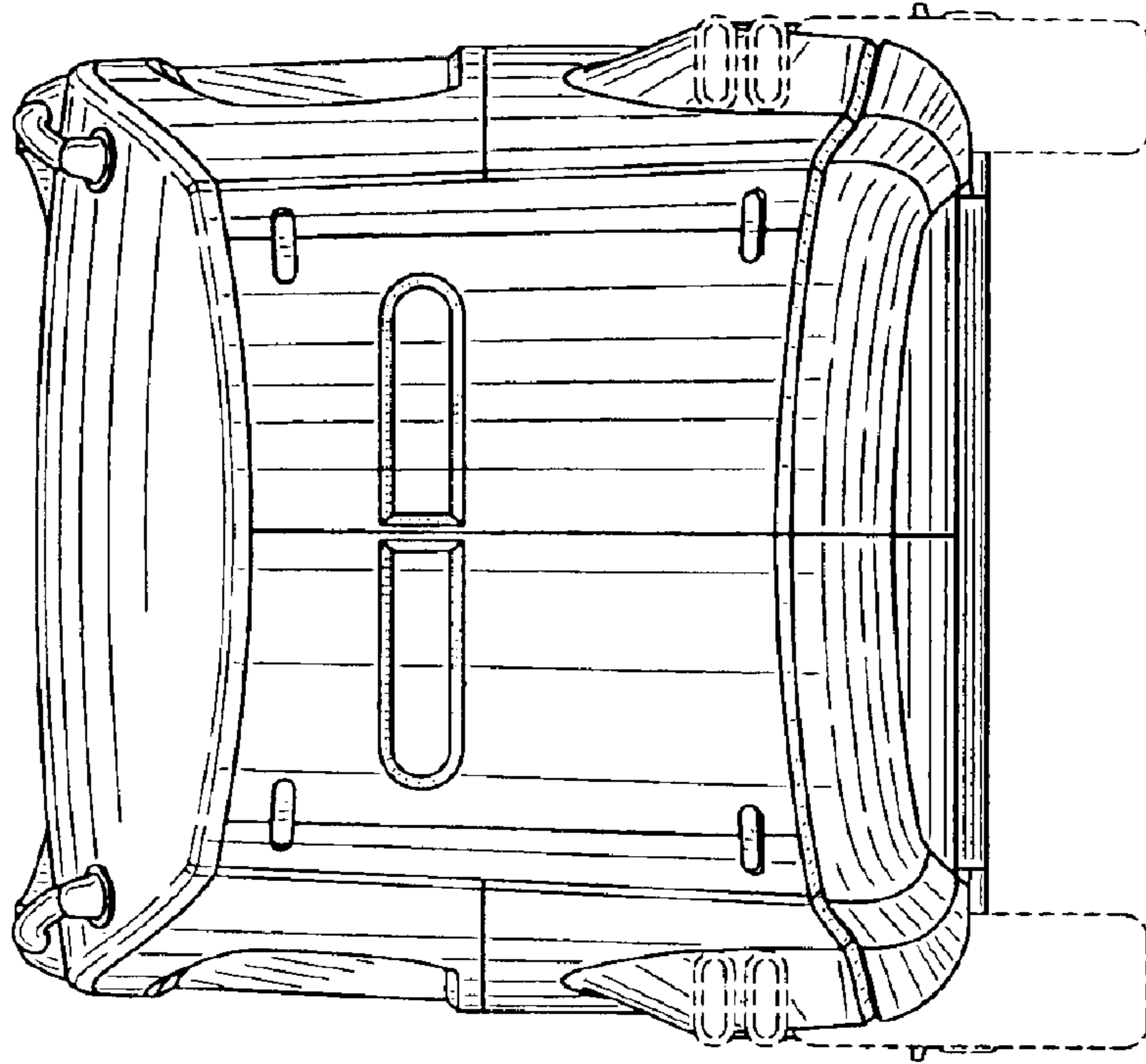


FIG. 4

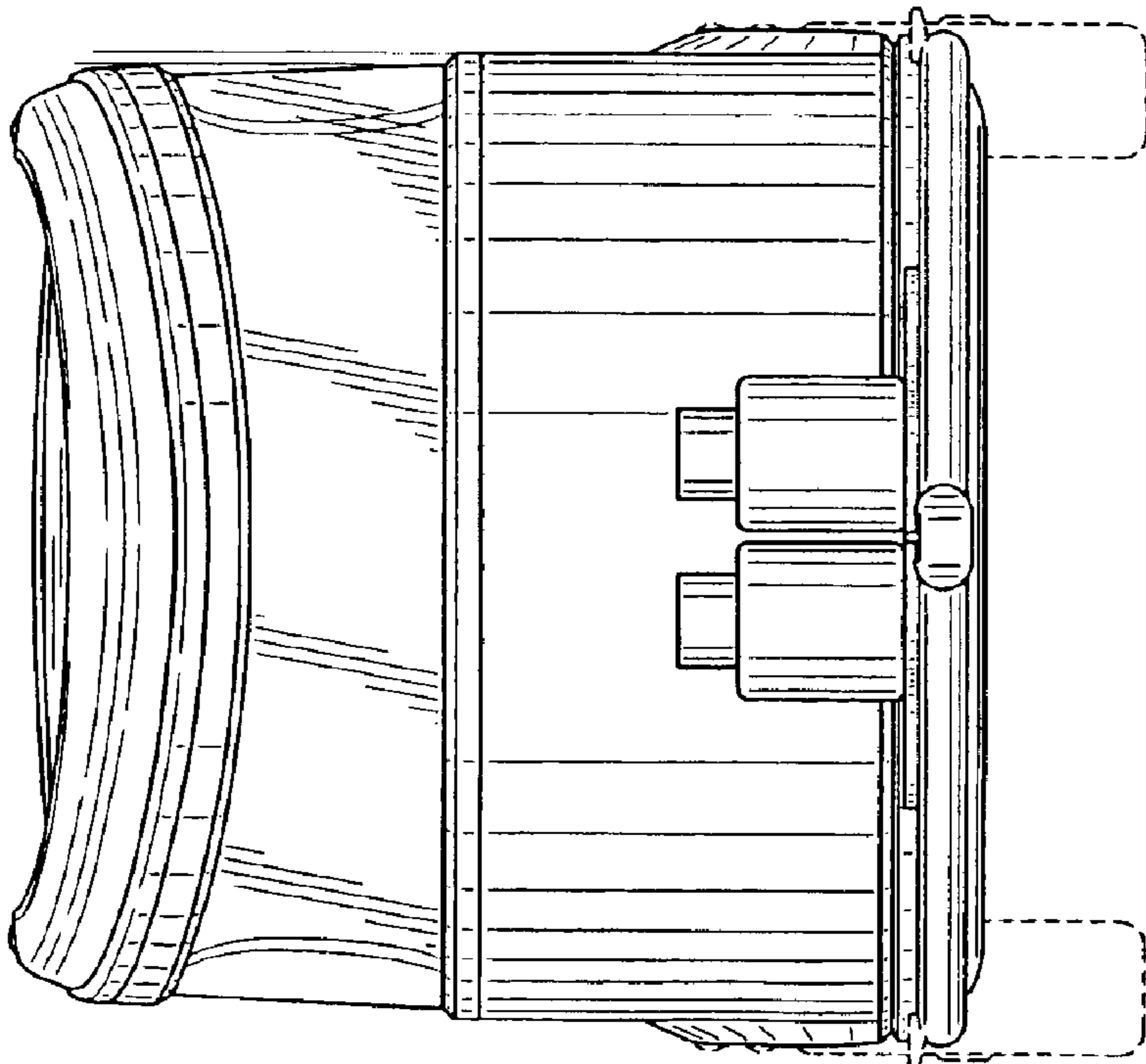


FIG. 3

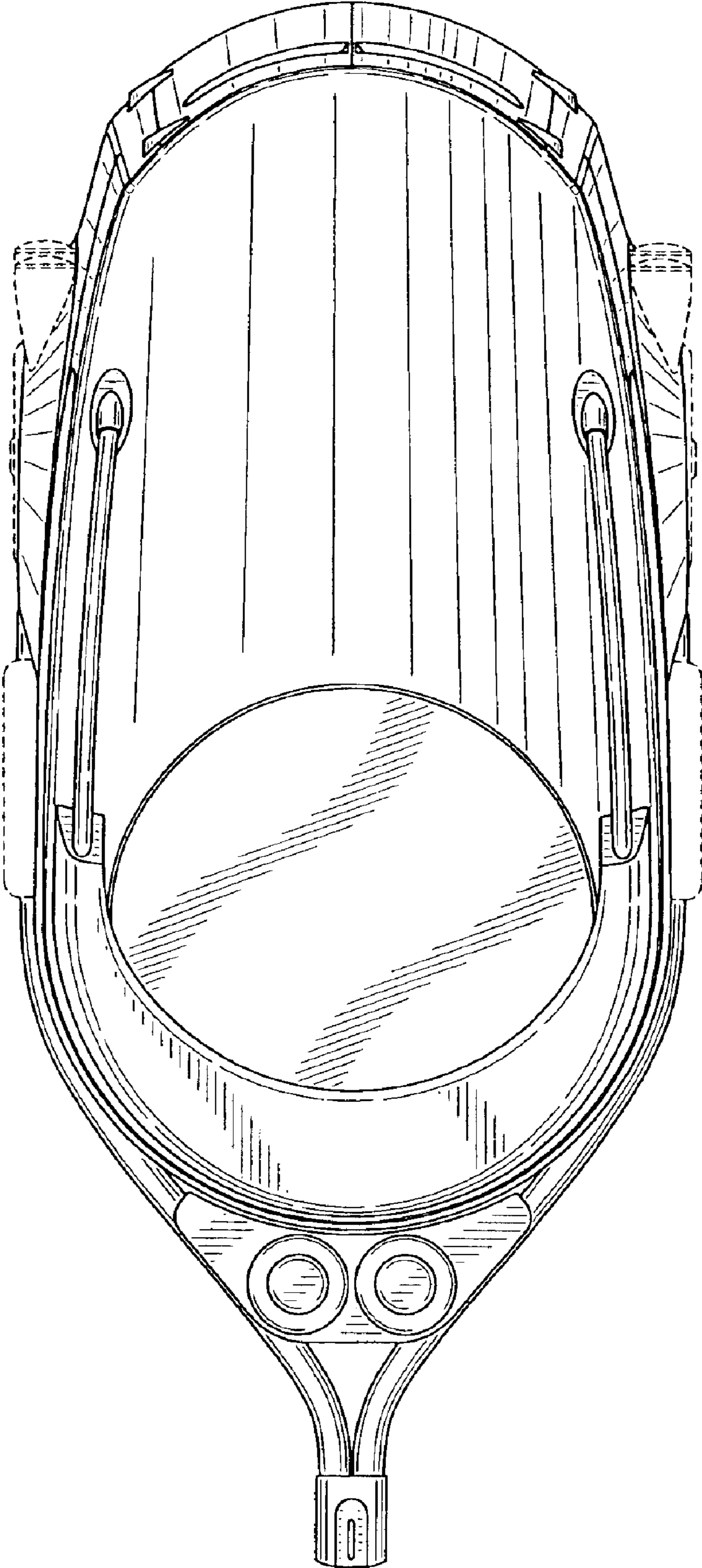


FIG. 5