



US00D510542S

(12) **United States Design Patent**  
**LeBlanc, Sr. et al.**

(10) **Patent No.:** **US D510,542 S**  
(45) **Date of Patent:** **\*\* Oct. 11, 2005**

(54) **VEHICLE**

D308,187 S \* 5/1990 Ottevaere et al. .... D12/12

(75) Inventors: **James C. LeBlanc, Sr.**, Rochester, MI (US); **James C. LeBlanc, Jr.**, Washington, MI (US)

\* cited by examiner

*Primary Examiner*—Nelson C. Holtje  
(74) *Attorney, Agent, or Firm*—Stevens, Davis, Miller & Mosher, LLP

(73) Assignee: **J.C.L. Technologies, L.L.C.**, Rochester, MI (US)

(57) **CLAIM**

(\*\*) Term: **14 Years**

The ornamental design for a vehicle, as shown and described.

(21) Appl. No.: **29/191,138**

**DESCRIPTION**

(22) Filed: **Oct. 3, 2003**

(51) **LOC (8) Cl.** ..... **12-13**

(52) **U.S. Cl.** ..... **D12/12**

(58) **Field of Search** ..... D12/12, 1-3; 89/36.08, 89/40.03, 36.13, 36.03, 36.09; 280/851; 180/65.4, 69.6, 22, 24, 24.11

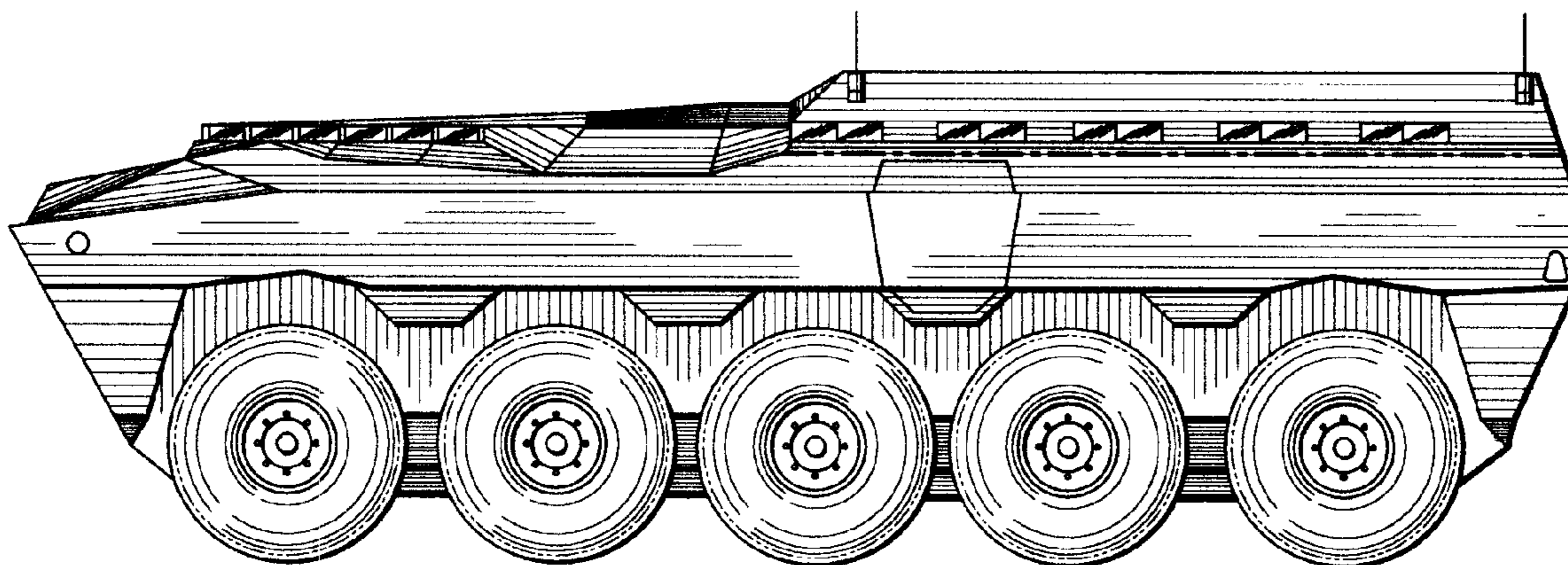
FIG. 1 is a side view of the vehicle, showing our design; FIG. 2 is a top view of the vehicle illustrated in FIG. 1; FIG. 3 is an opposite side view of the vehicle illustrated in FIG. 1; FIG. 4 is a front view of the vehicle illustrated in FIG. 1; FIG. 5 is a rear view of the vehicle illustrated in FIG. 1; FIG. 6 is a side view of another embodiment of the vehicle having four wheels; FIG. 7 is a top view of the vehicle illustrated in FIG. 6; FIG. 8 is an opposite side view of the vehicle illustrated in FIG. 6; FIG. 9 is a front view of the vehicle illustrated in FIG. 6; and, FIG. 10 is a rear view of the vehicle illustrated in FIG. 6.

(56) **References Cited**

**U.S. PATENT DOCUMENTS**

2,299,006	A	*	10/1942	Brown	.....	180/24.11
2,871,763	A	*	2/1959	Blomquist	.....	89/36.08
D203,257	S	*	12/1965	Fox	.....	D12/3
3,299,978	A	*	1/1967	Sponsler	.....	180/9.52
3,414,072	A	*	12/1968	Hodges, Jr. et al.	.....	180/24
3,471,166	A	*	10/1969	Clark	.....	280/676

**1 Claim, 4 Drawing Sheets**



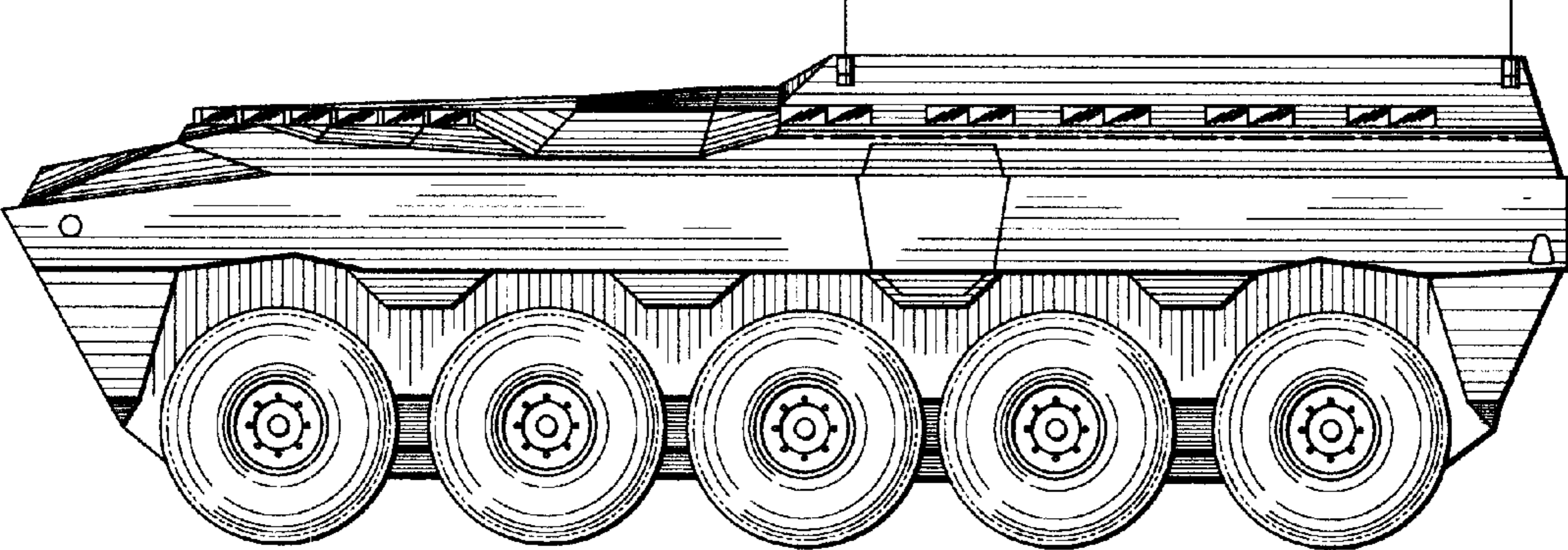


FIG. 1

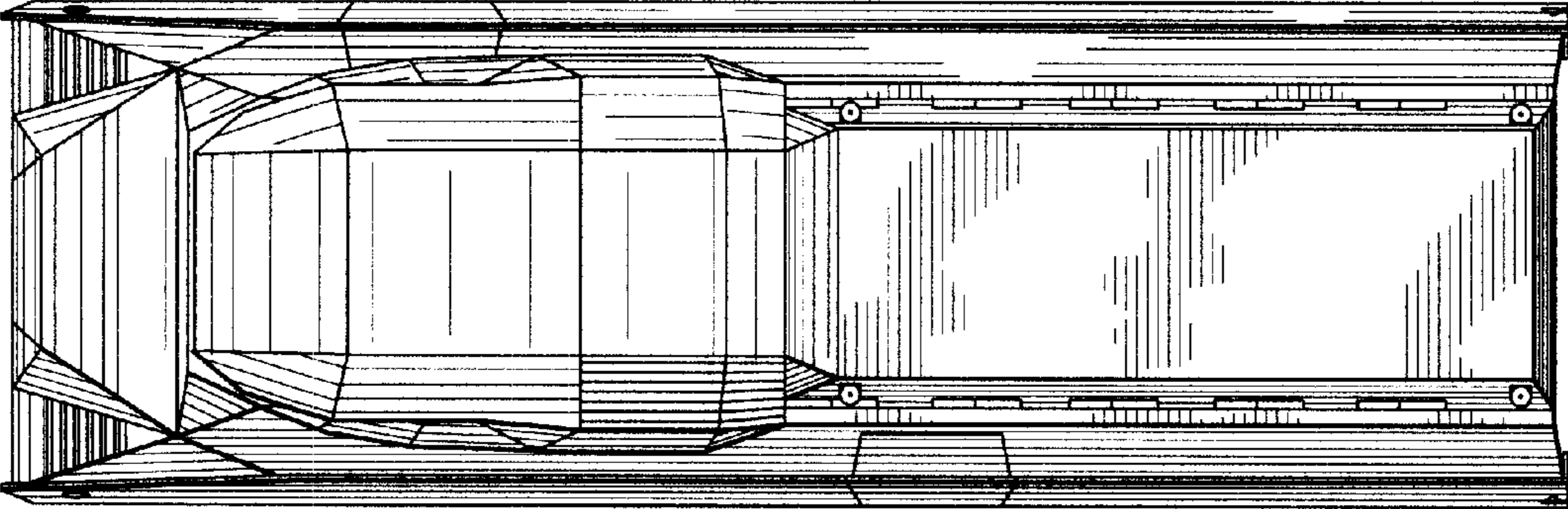


FIG. 2

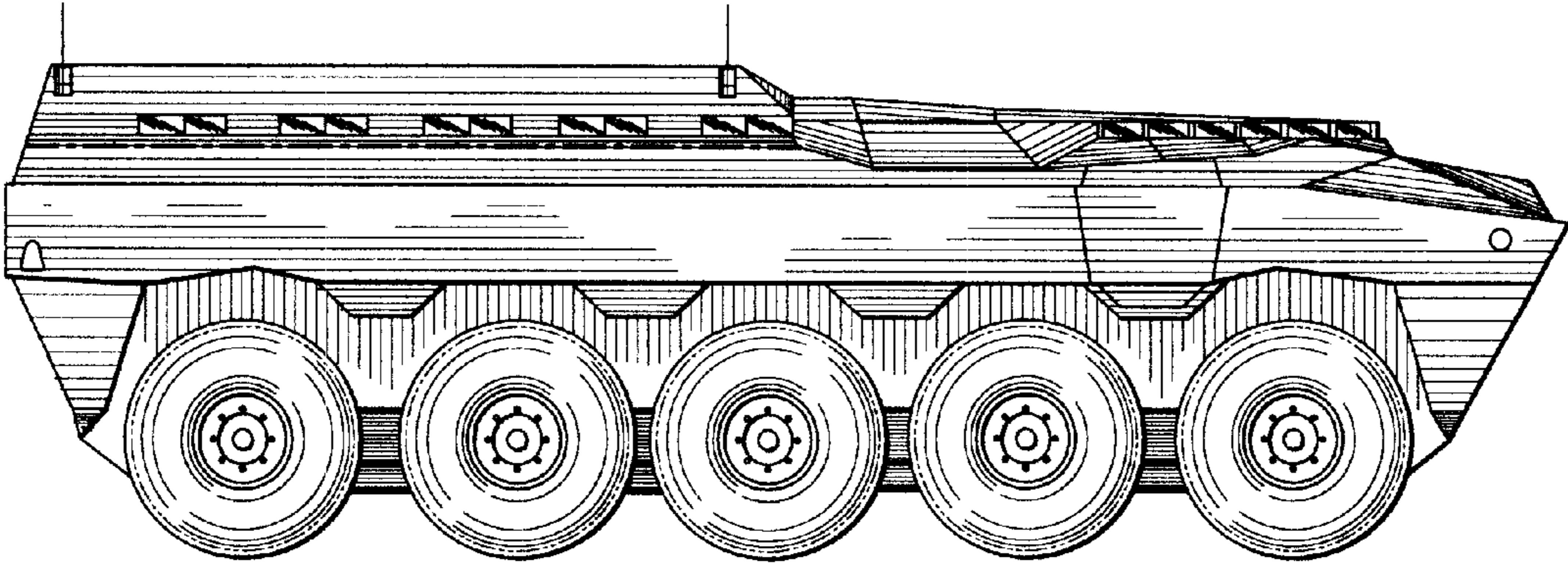


FIG. 3

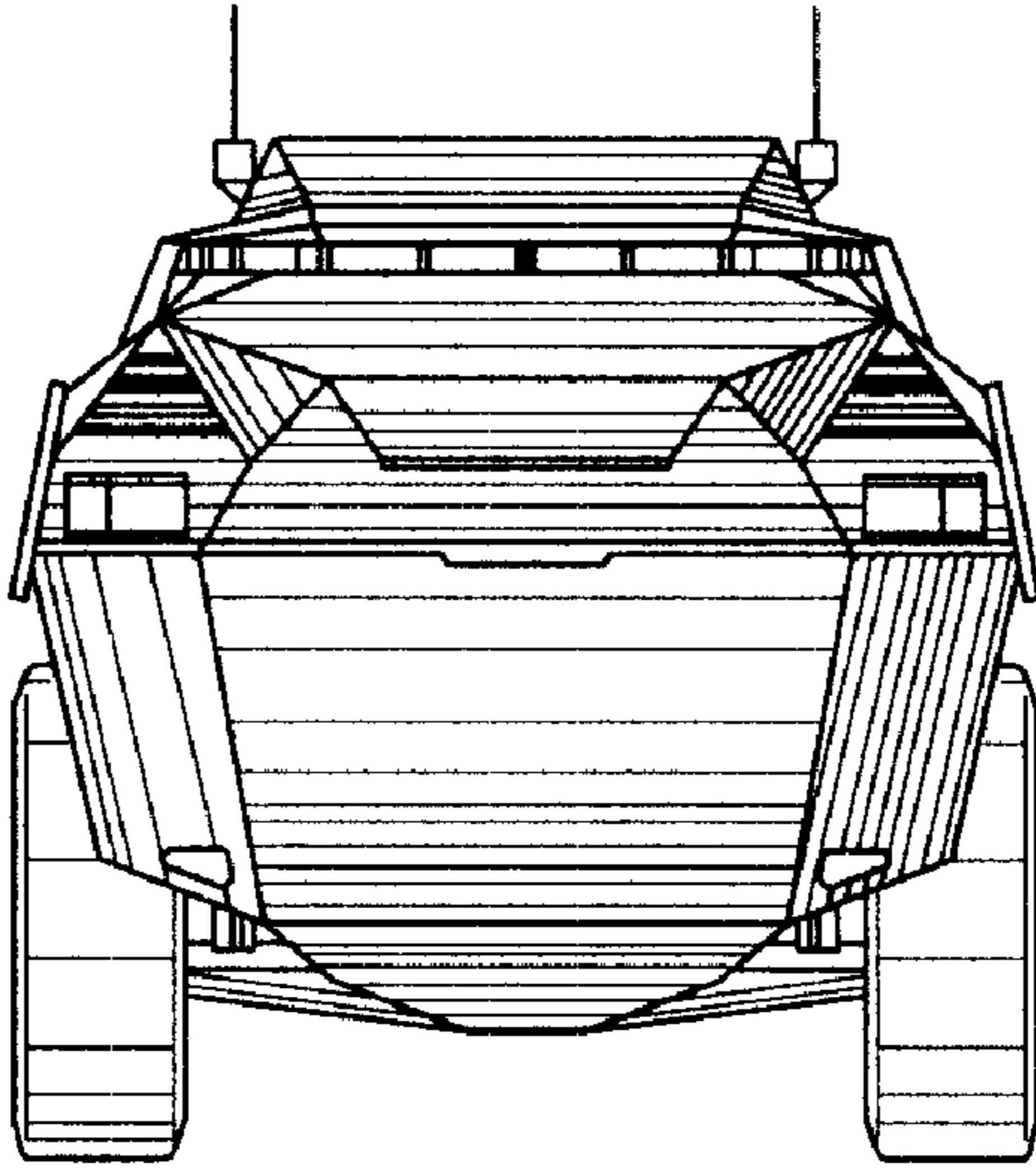


FIG. 4

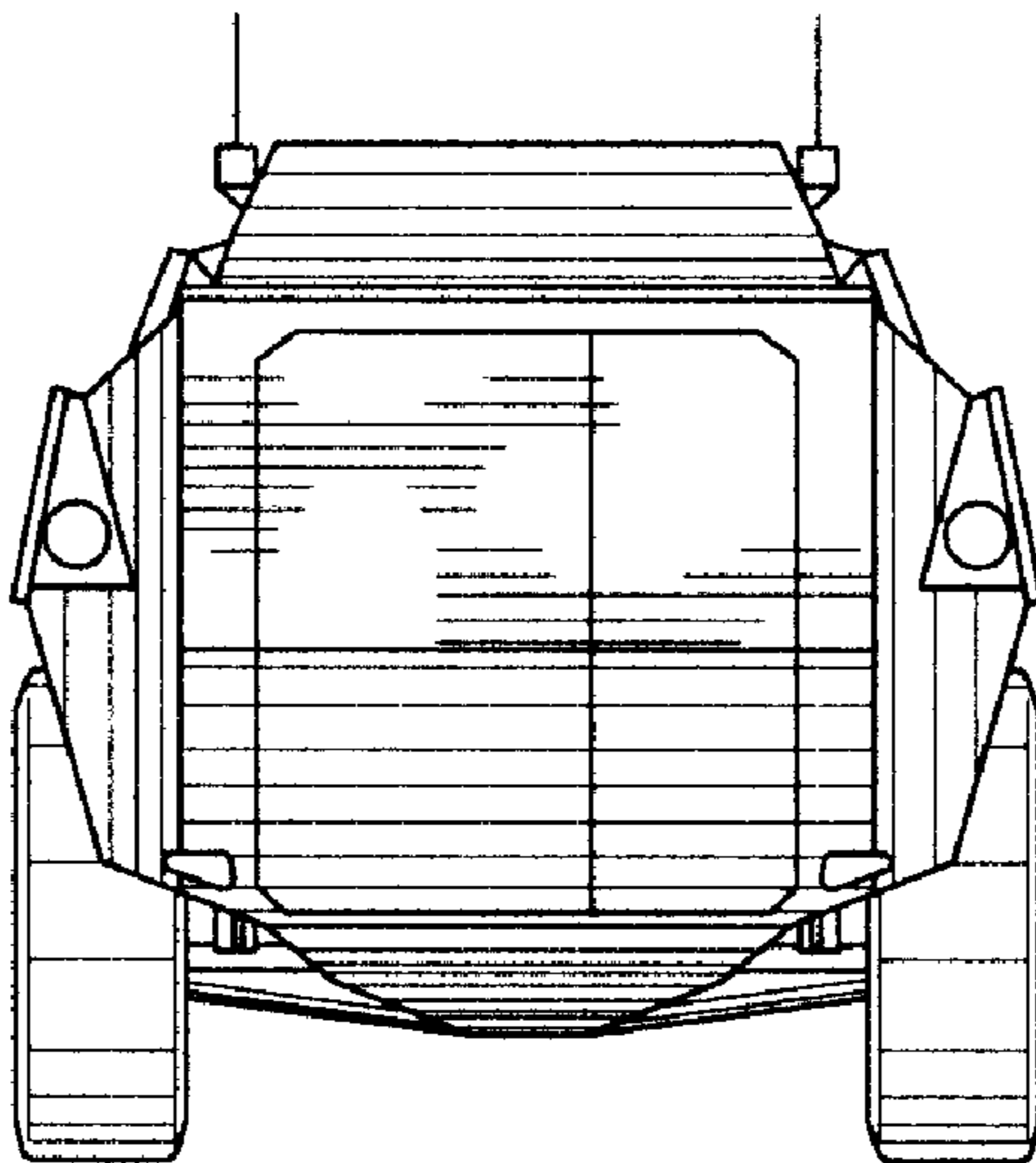


FIG. 5



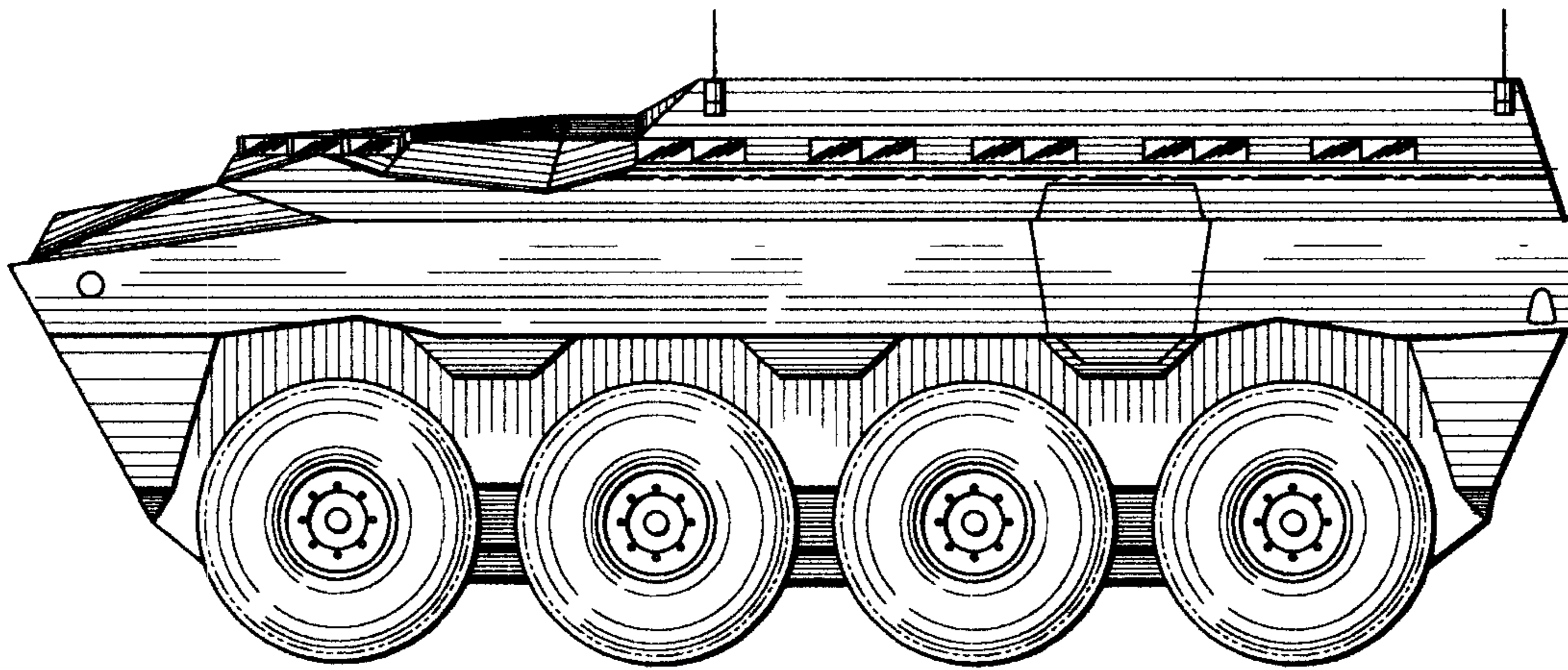


FIG. 6

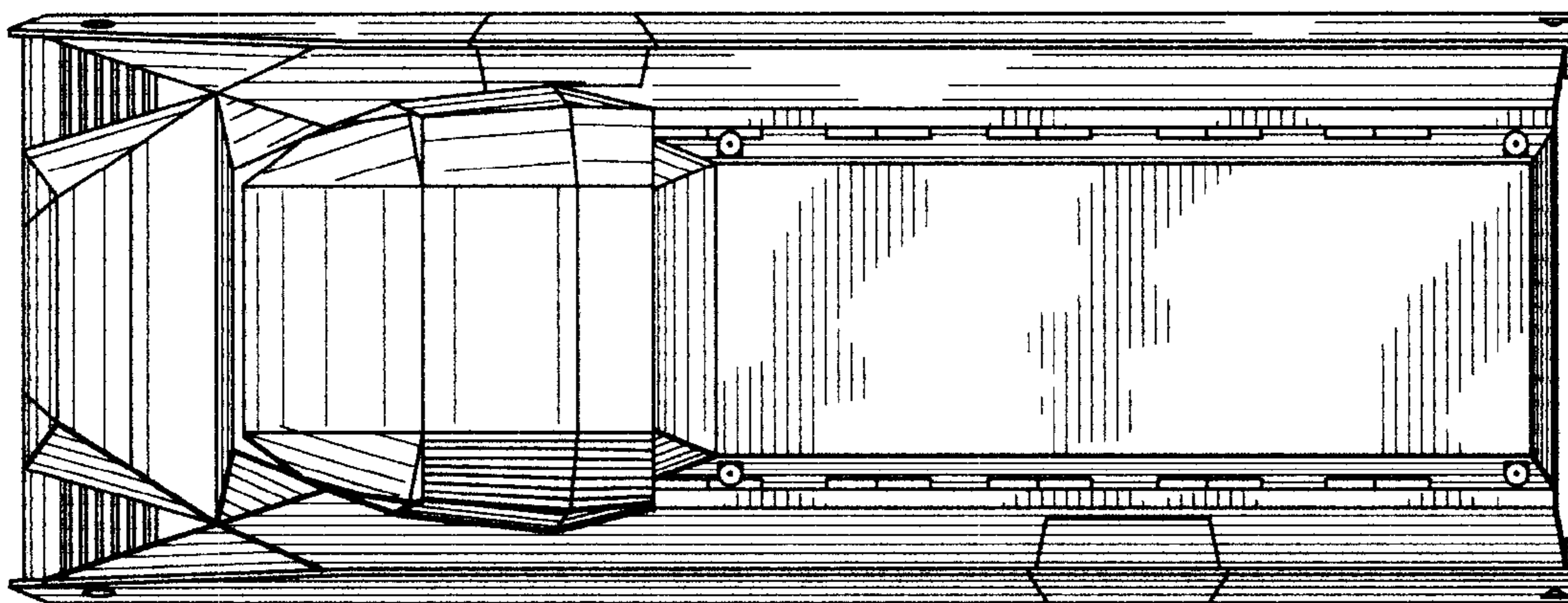


FIG. 7

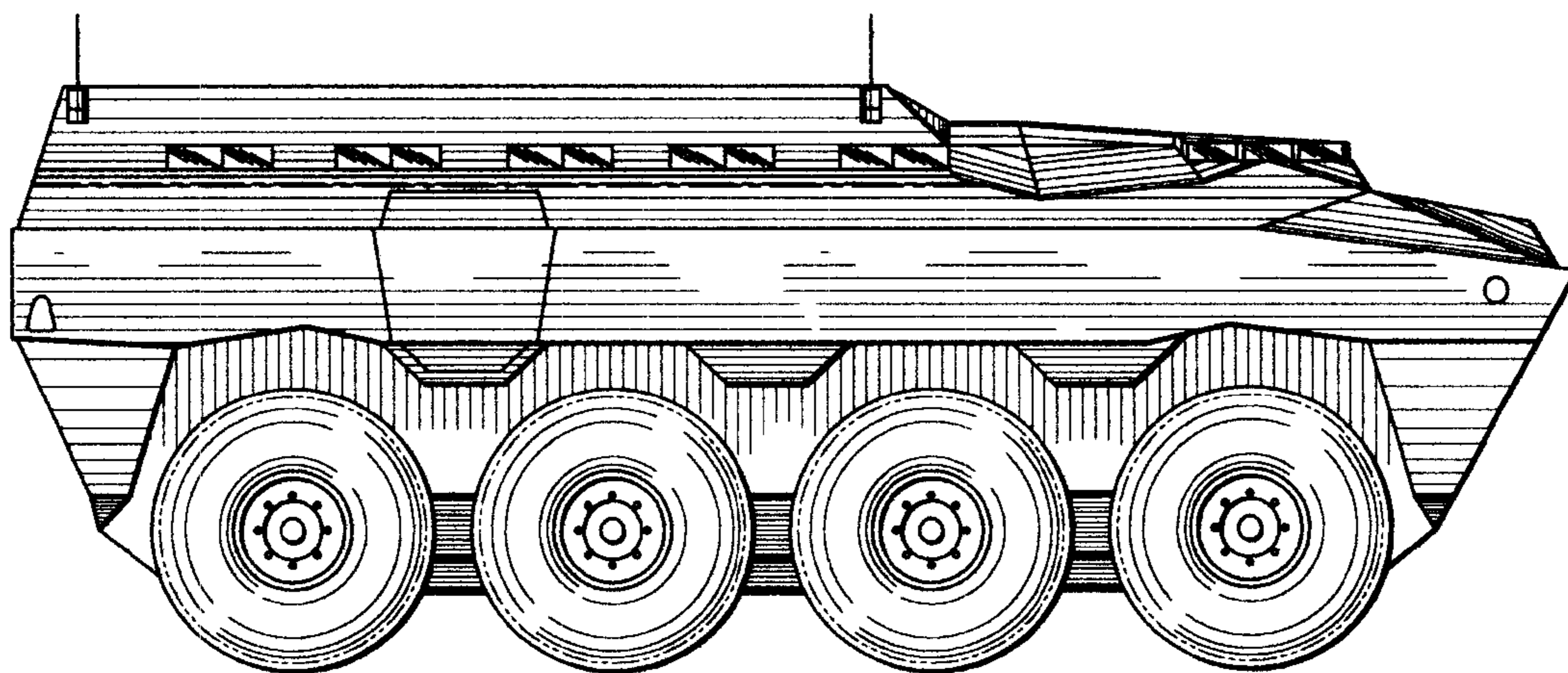


FIG. 8

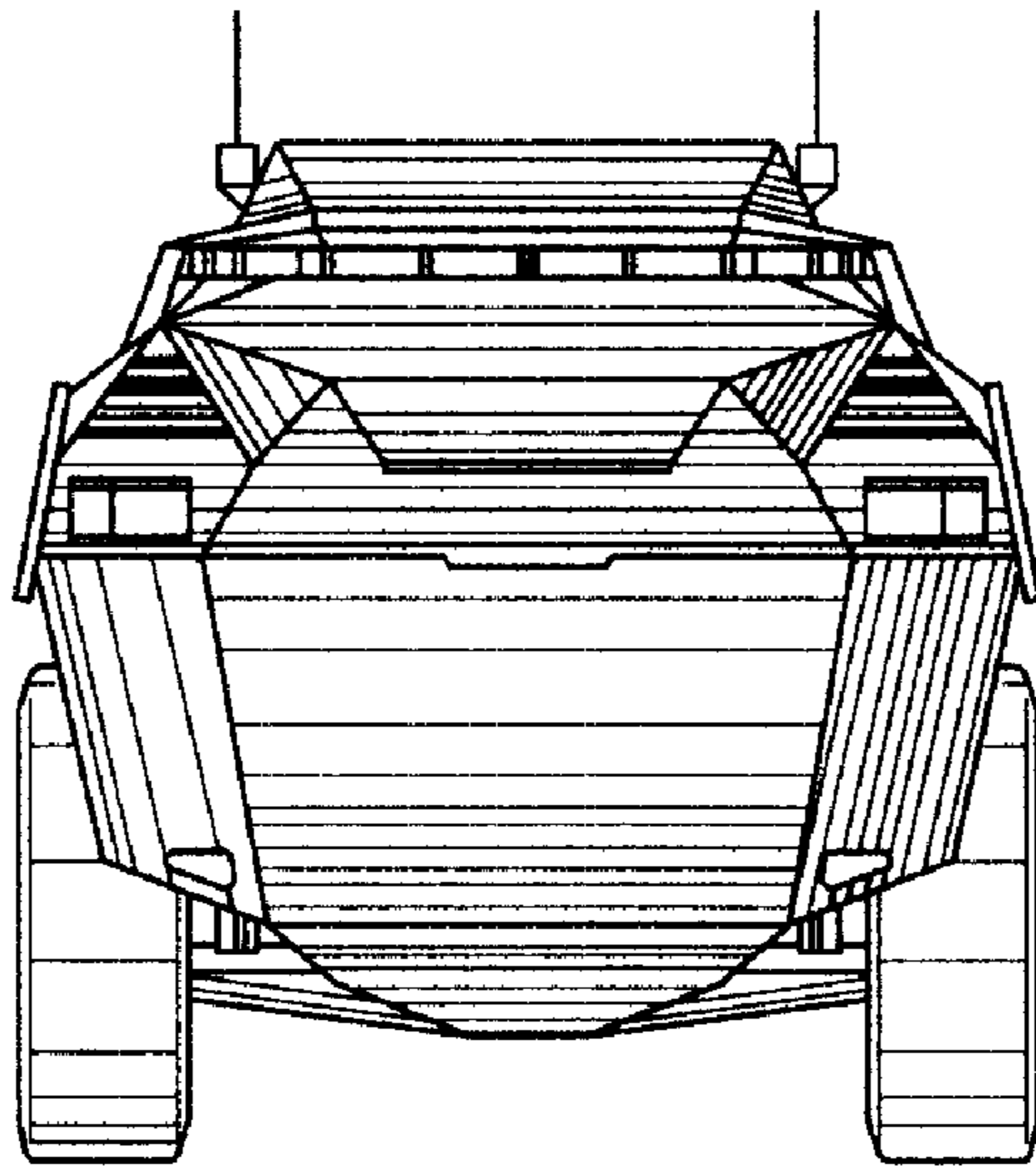


FIG. 9

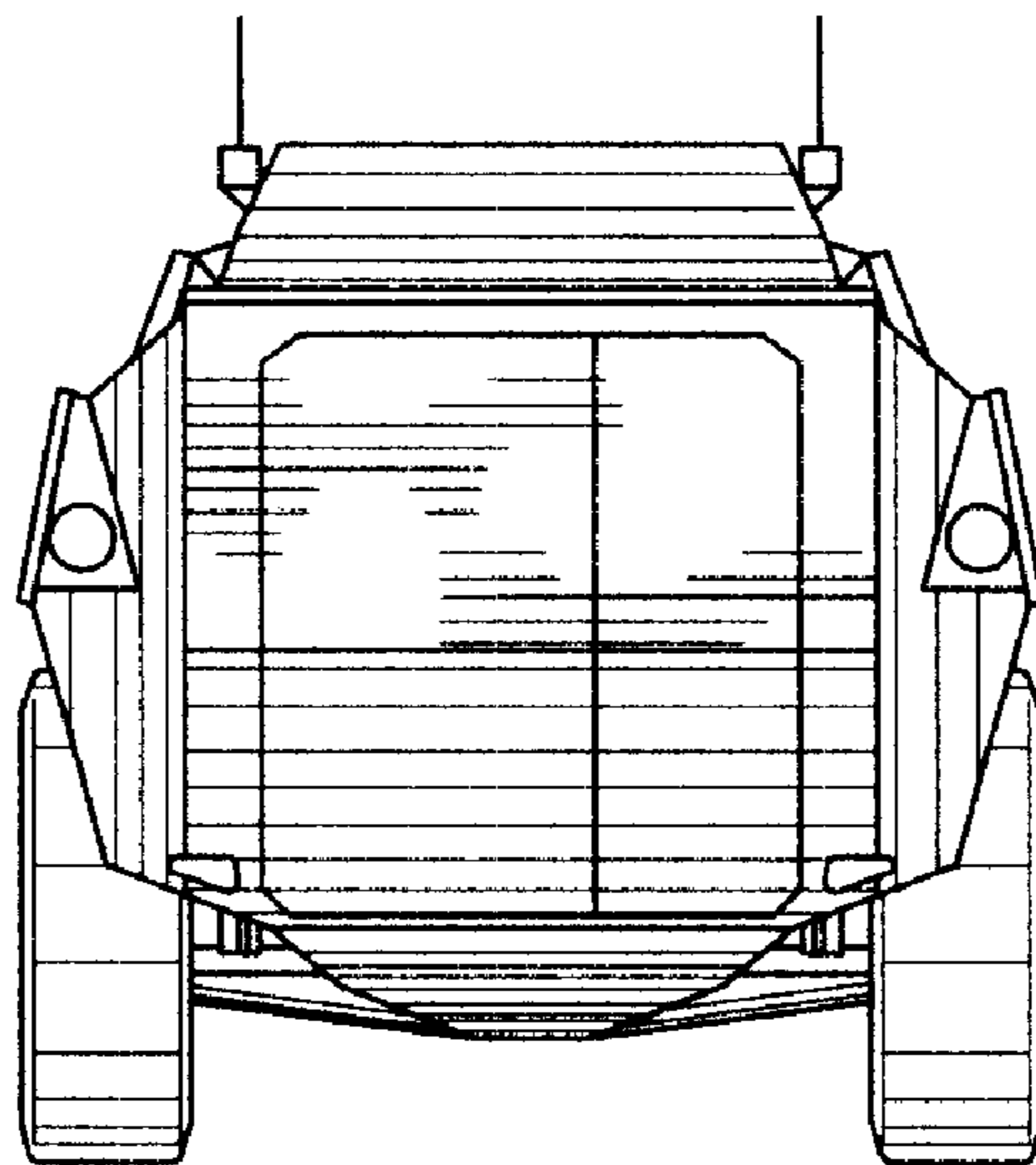


FIG. 10